



US00D920808S

(12) **United States Design Patent**  
**Bellard**

(10) **Patent No.:** **US D920,808 S**

(45) **Date of Patent:** **\*\* Jun. 1, 2021**

(54) **APPLICATOR**

- (71) Applicant: **Siloa Inc.**, Bedminster, NJ (US)
- (72) Inventor: **Mark Bellard**, Bedminster, NJ (US)
- (73) Assignee: **Siloa Inc.**, Bedminster, NJ (US)
- (\*\*) Term: **15 Years**

(21) Appl. No.: **29/694,098**

(22) Filed: **Jun. 7, 2019**

(51) **LOC (13) Cl.** ..... **09-01**

(52) **U.S. Cl.**  
USPC ..... **D9/726**

(58) **Field of Classification Search**

USPC ..... D9/442, 503, 695-699, 702-714,  
D9/723-729; D24/199; D28/7;  
132/317, 318, 320; 222/95, 207, 212,  
222/335  
CPC ..... A45D 34/00; A45D 40/00; B65D 81/3272  
See application file for complete search history.

(56) **References Cited**

**U.S. PATENT DOCUMENTS**

5,582,327 A	12/1996	De Laforcade	
6,010,264 A	1/2000	Scuderi et al.	
D450,888 S *	11/2001	Breidenbach	D28/76
D530,857 S *	10/2006	Black	D28/7
D601,191 S *	9/2009	Hung	D19/117
D615,419 S *	5/2010	Owen	D9/726
D708,961 S *	7/2014	Jung	D9/723
D725,490 S *	3/2015	Grosso	D9/726
9,004,791 B2 *	4/2015	Acierto	A45D 34/04 401/17
D734,539 S *	7/2015	Yeo	D28/7
D757,565 S *	5/2016	Partrat	D9/726
D789,452 S *	6/2017	Matsumura	D19/163
D800,566 S *	10/2017	Wieland	D9/529

(Continued)

**OTHER PUBLICATIONS**

“Transparent Clear Borosilicate Customized Screw Thread Sight Glass Tube” [online], Alibaba.com, [retrieved on May 13, 2019],

Publication date unknown. Retrieved from the Internet: <URL: [https://www.alibaba.com/product-detail/Transparent-Clear-Borosilicate-Customized-Screw-Thread\\_62045714741.html?spm=a2700.details.maylikever.3.35c47034vp13JB](https://www.alibaba.com/product-detail/Transparent-Clear-Borosilicate-Customized-Screw-Thread_62045714741.html?spm=a2700.details.maylikever.3.35c47034vp13JB)>, 7 pages.

*Primary Examiner* — Janice Patyk

(74) *Attorney, Agent, or Firm* — Servilla Whitney LLC

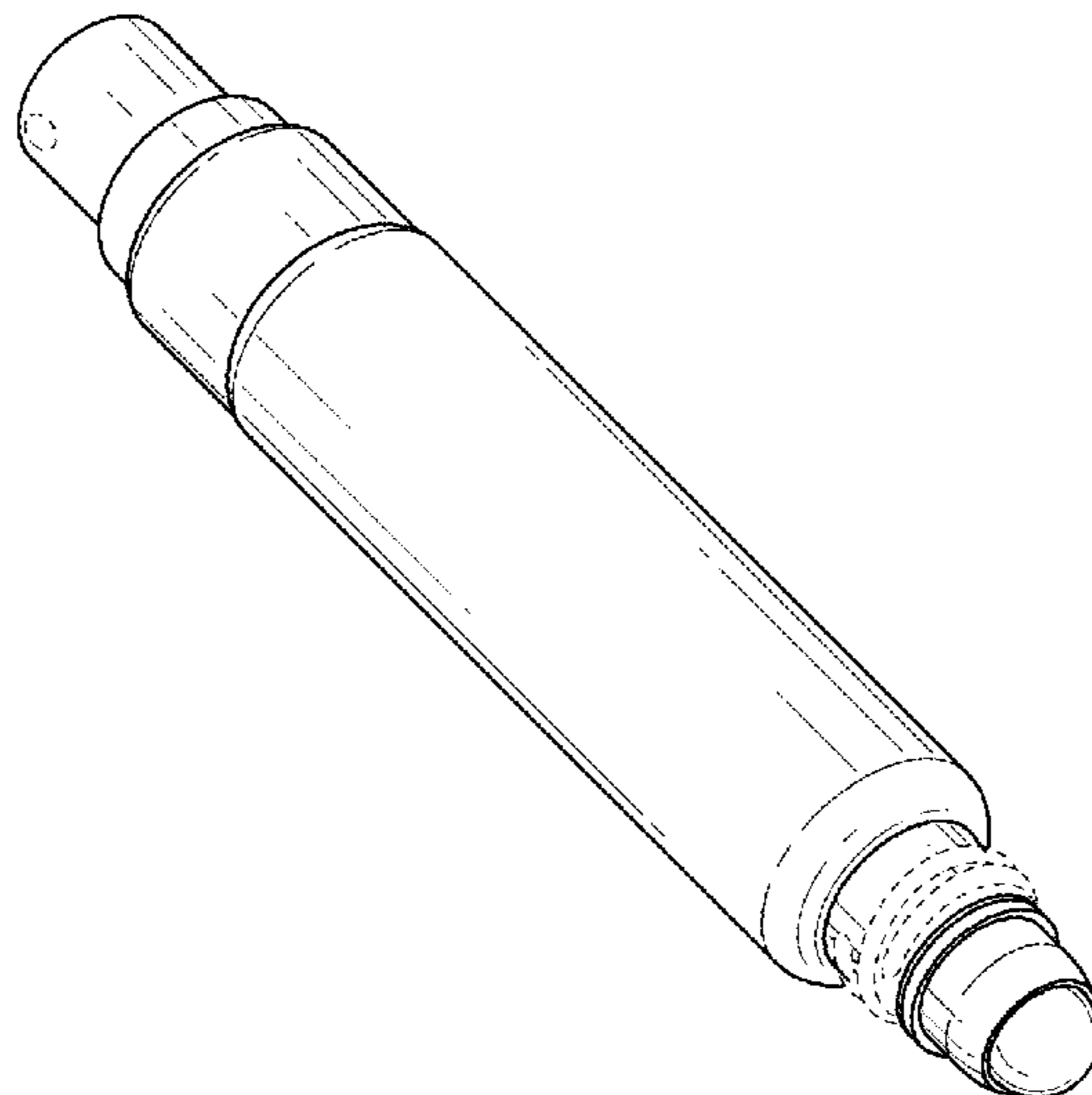
(57) **CLAIM**

The ornamental design for applicator, as shown and described.

**DESCRIPTION**

FIG. 1 is a top, front perspective view of embodiment one, of an applicator, showing my new design;  
 FIG. 2 is a top, rear perspective view thereof;  
 FIG. 3 is a top view thereof;  
 FIG. 4 is a bottom view thereof;  
 FIG. 5 is a right side view thereof, and the left side view being a mirror image thereof;  
 FIG. 6 is a front view thereof;  
 FIG. 7 is a rear view thereof;  
 FIG. 8 is an exploded top view thereof, shown with environmental caps;  
 FIG. 9 is a top, front perspective view of embodiment two, of an applicator, showing my new design;  
 FIG. 10 is a top, rear perspective view thereof;  
 FIG. 11 is a top view thereof;  
 FIG. 12 is a bottom view thereof; and,  
 FIG. 13 is a right side view thereof, and the left side view being a mirror image thereof.  
 The broken lines in the figures illustrate the portions of the design that forms no part of the claimed design.  
 The applicator has been shown with symbolic breaks. The appearance of any portion of the article between the break lines form no part of the claimed design.  
 The broken lines caps in FIG. 8 illustrate environmental subject matter that form no part of the claimed design.

**1 Claim, 5 Drawing Sheets**



(56)

**References Cited**

U.S. PATENT DOCUMENTS

2006/0222445 A1\* 10/2006 Chuang ..... A45D 40/261  
401/216  
2008/0107474 A1\* 5/2008 Hsieh ..... A61H 15/0092  
401/216  
2014/0126948 A1 5/2014 Haynes

\* cited by examiner

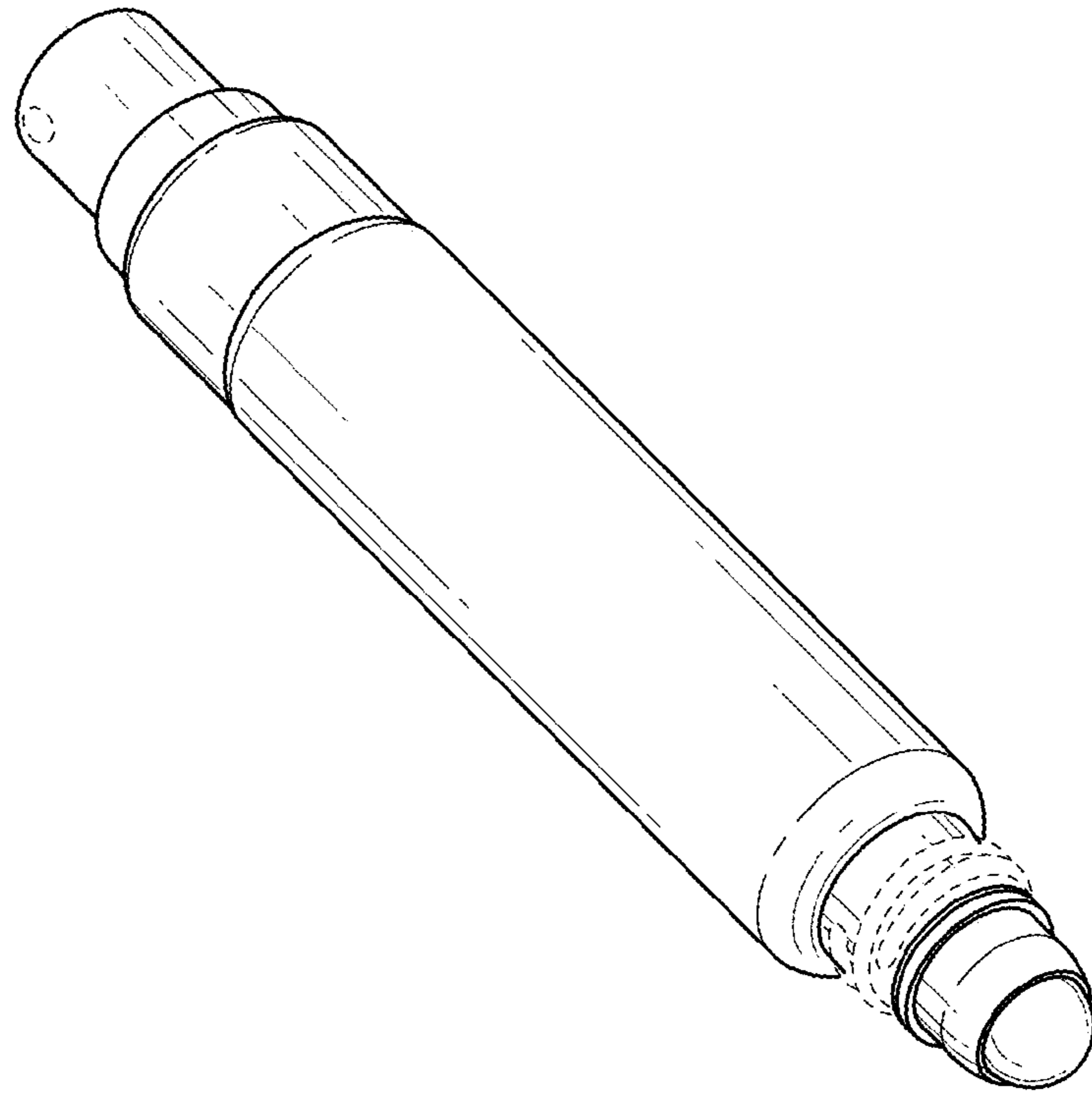


FIG. 1

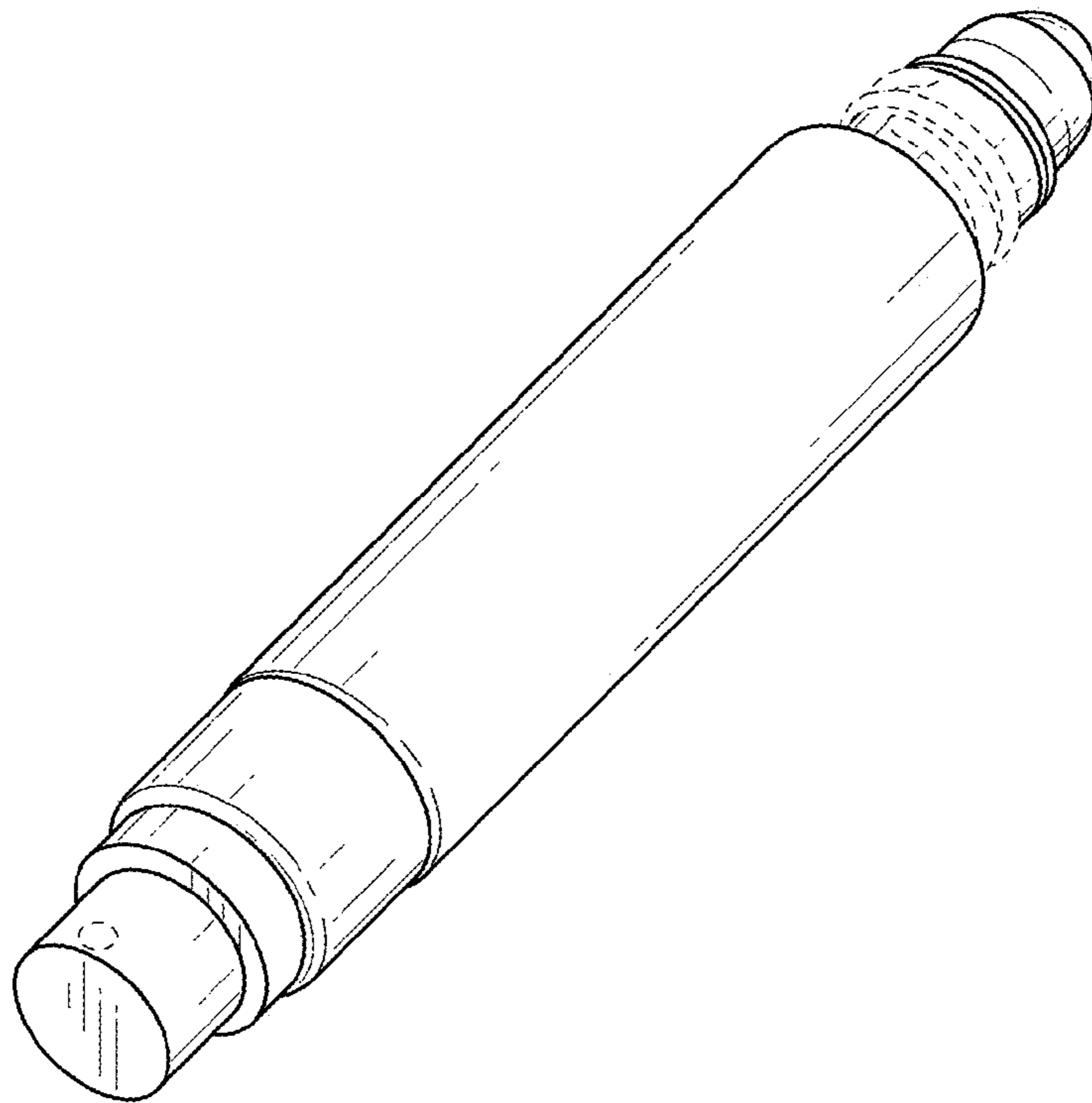


FIG. 2

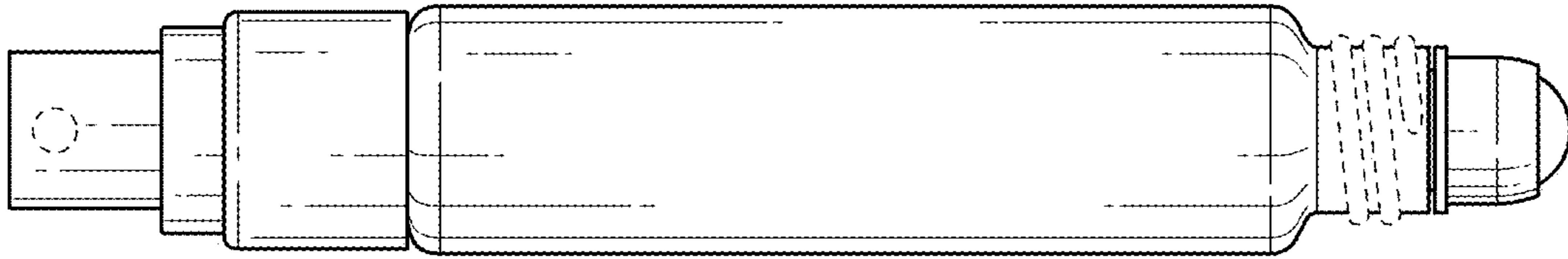


FIG. 3

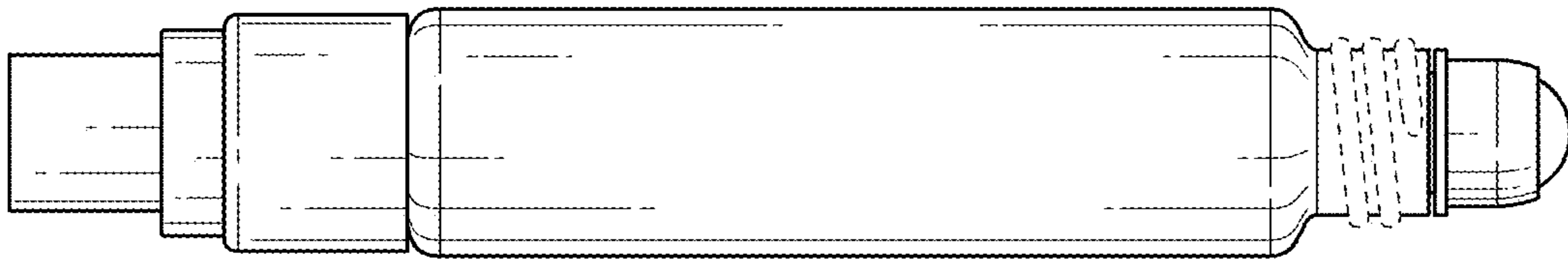


FIG. 4

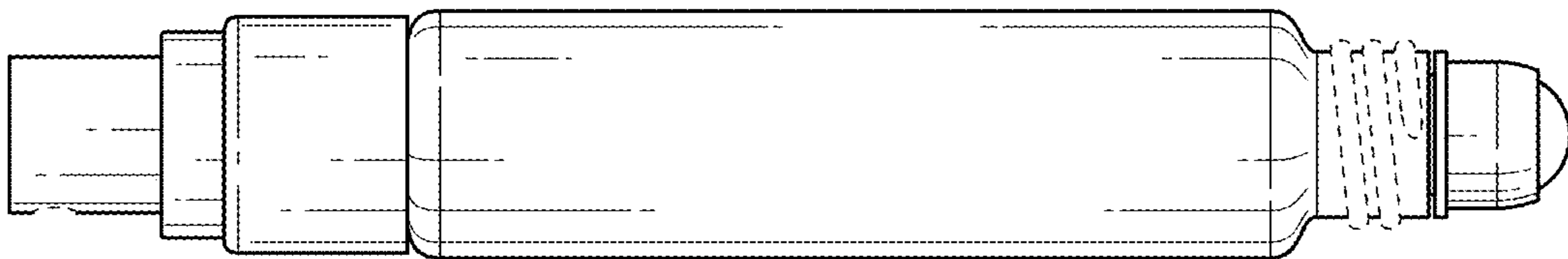


FIG. 5

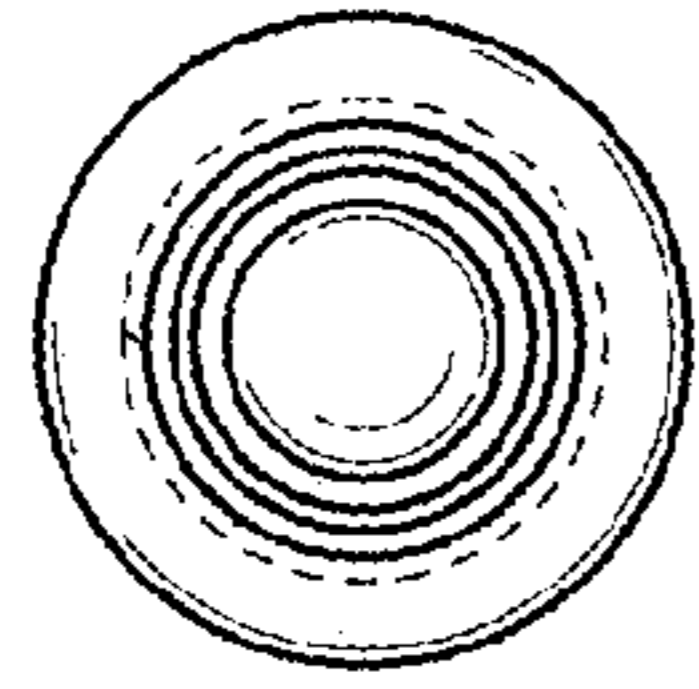


FIG. 6

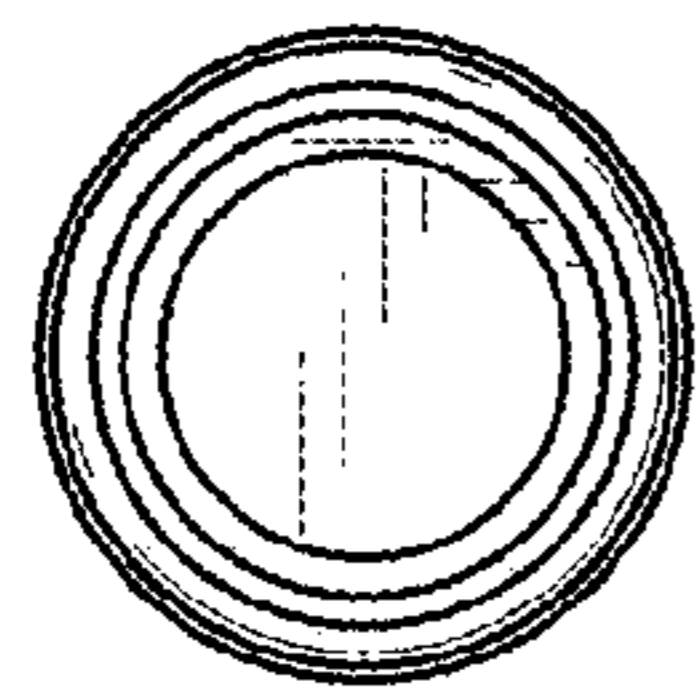


FIG. 7

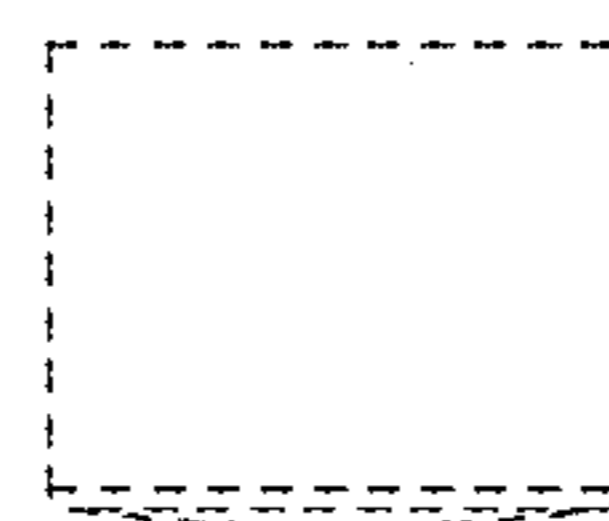
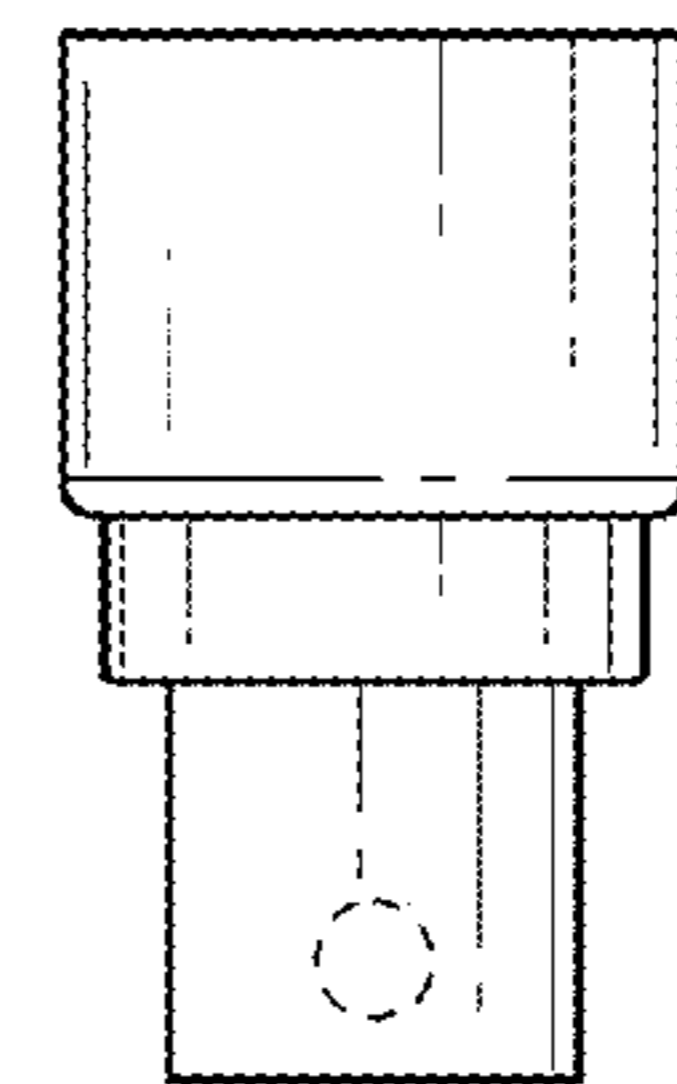
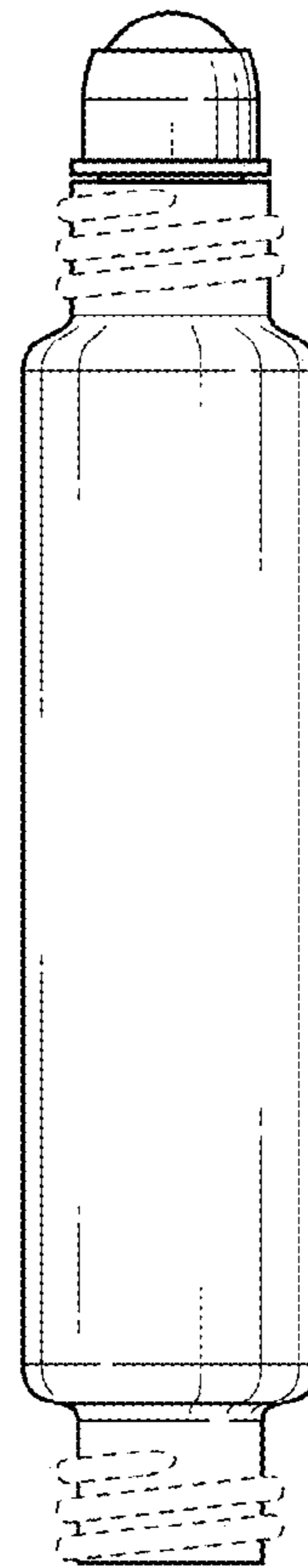
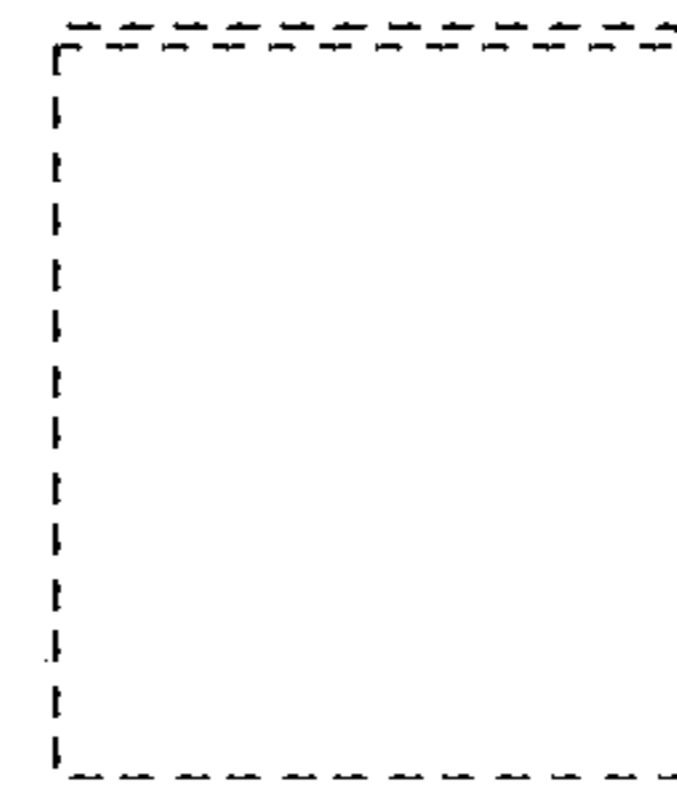


FIG. 8



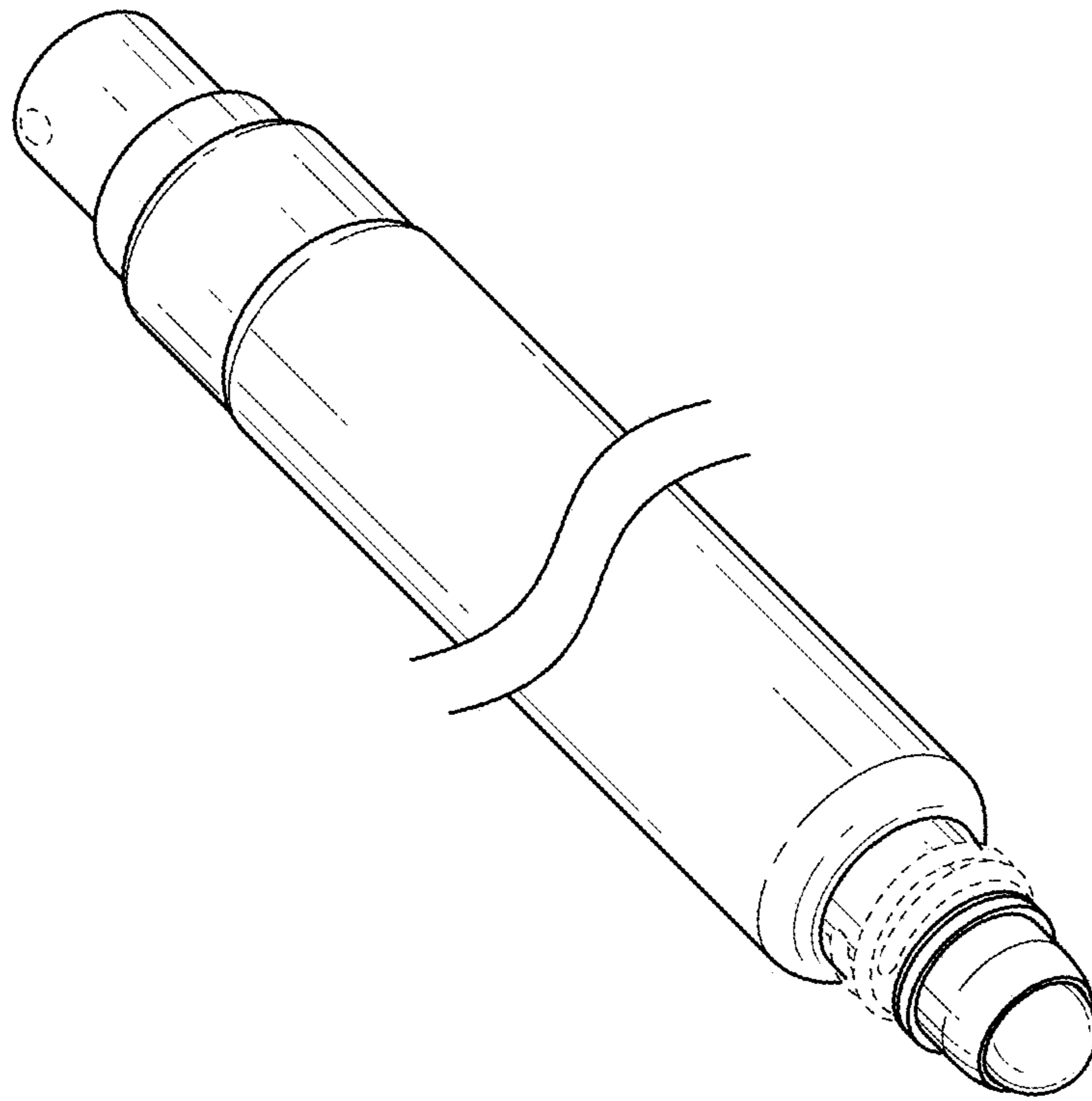


FIG. 9

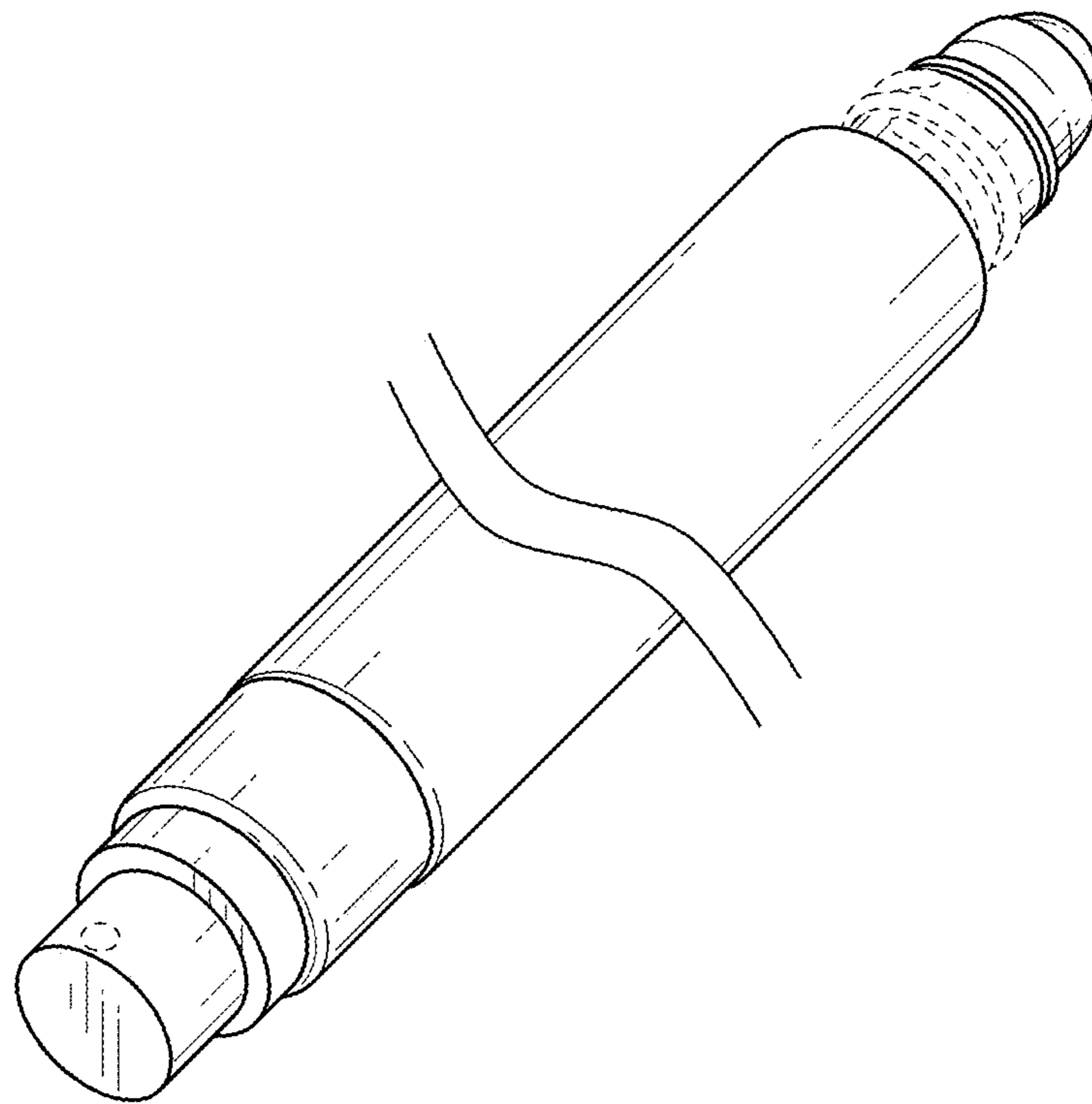


FIG. 10

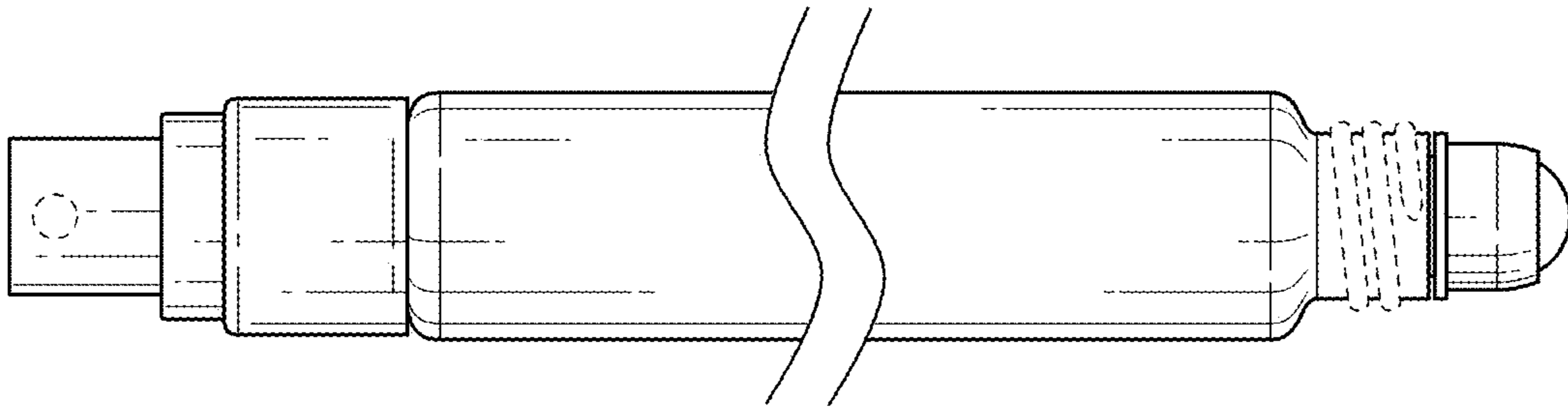


FIG. 11

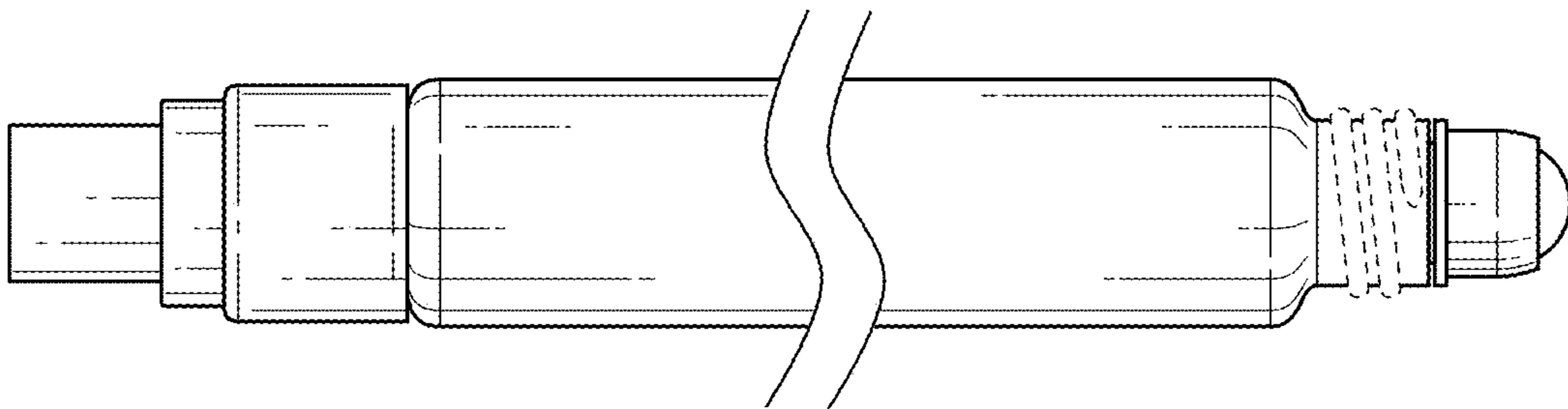


FIG. 12

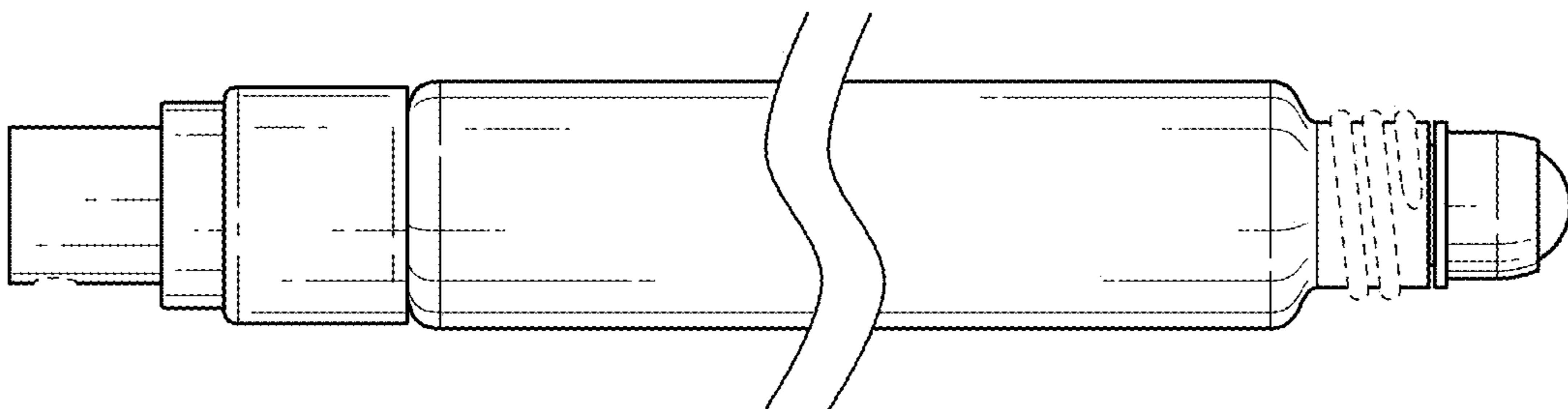


FIG. 13