



US00D920807S

(12) **United States Design Patent** (10) **Patent No.:** **US D920,807 S**
Kisner et al. (45) **Date of Patent:** **** Jun. 1, 2021**

(54) **RECEPTACLE**

(71) Applicant: **DETECTACHEM, INC.**, Stafford, TX (US)
 (72) Inventors: **Travis Kisner**, Sugar Land, TX (US);
Aaron Sanders, Meadows Place, TX (US); **Garrett Preston**, Sugar Land, TX (US)

(73) Assignee: **DETECTACHEM, INC.**, Sugar Land, TX (US)

(**) Term: **15 Years**

(21) Appl. No.: **29/661,903**

(22) Filed: **Aug. 31, 2018**

(51) **LOC (13) Cl.** **09-05**

(52) **U.S. Cl.**
USPC **D9/711**

(58) **Field of Classification Search**
 USPC D9/702-714, 720-722, 430-433, 414, D9/418, 424; D3/303, 202, 203.1; 383/45, 47, 84, 100, 103, 107-108, 383/113-114, 200, 203, 205; 229/87.06, 229/87.08, 200; 426/106-107, 113, 120, 426/124, 234, 112, 243; 222/92, 107, 222/215, 206; 206/807, 260, 811, 103, 206/203, 207, 820; 219/725, 727, 735; 428/43
 CPC B65D 75/00; B65D 75/40; B65D 33/00; B65D 33/001; B65D 33/002; B65D 33/008; B65D 33/24; B65D 33/25; B65D 11/00; B65D 11/20; B65D 15/24; B65D 15/22

See application file for complete search history.

(56) **References Cited**

U.S. PATENT DOCUMENTS

D311,488 S * 10/1990 Regenscheid D9/415
 D837,660 S * 1/2019 Abed D9/709
 D863,979 S * 10/2019 Reaux D9/709
 D863,980 S * 10/2019 Reaux D9/709

* cited by examiner

Primary Examiner — Abraham Bahta
 (74) *Attorney, Agent, or Firm* — Greenblum & Bernstein, P.L.C.

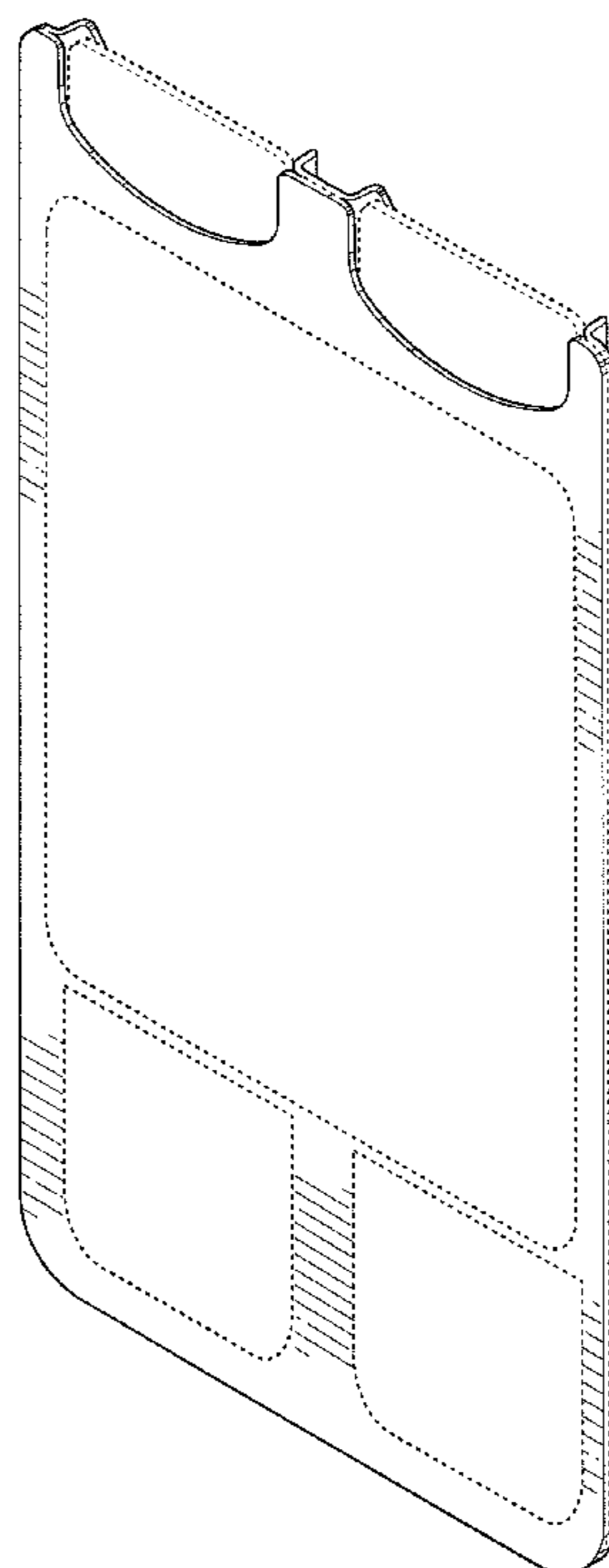
(57) **CLAIM**

We claim the ornamental design for a receptacle, as shown and described.

DESCRIPTION

FIG. 1 shows a perspective view of top, rear, and right sides of a receptacle showing our new design;
 FIG. 2 shows a perspective view of bottom, rear, and left sides thereof;
 FIG. 3 shows a top view thereof;
 FIG. 4 shows a bottom view thereof;
 FIG. 5 shows a front-side view thereof;
 FIG. 6 shows a rear-side view thereof;
 FIG. 7 shows a left-side view thereof; and,
 FIG. 8 shows a right-side view thereof.
 Any surfaces of the design not shown, including interior surfaces and any surfaces shown in broken lines, form no part of the claimed invention.

1 Claim, 6 Drawing Sheets



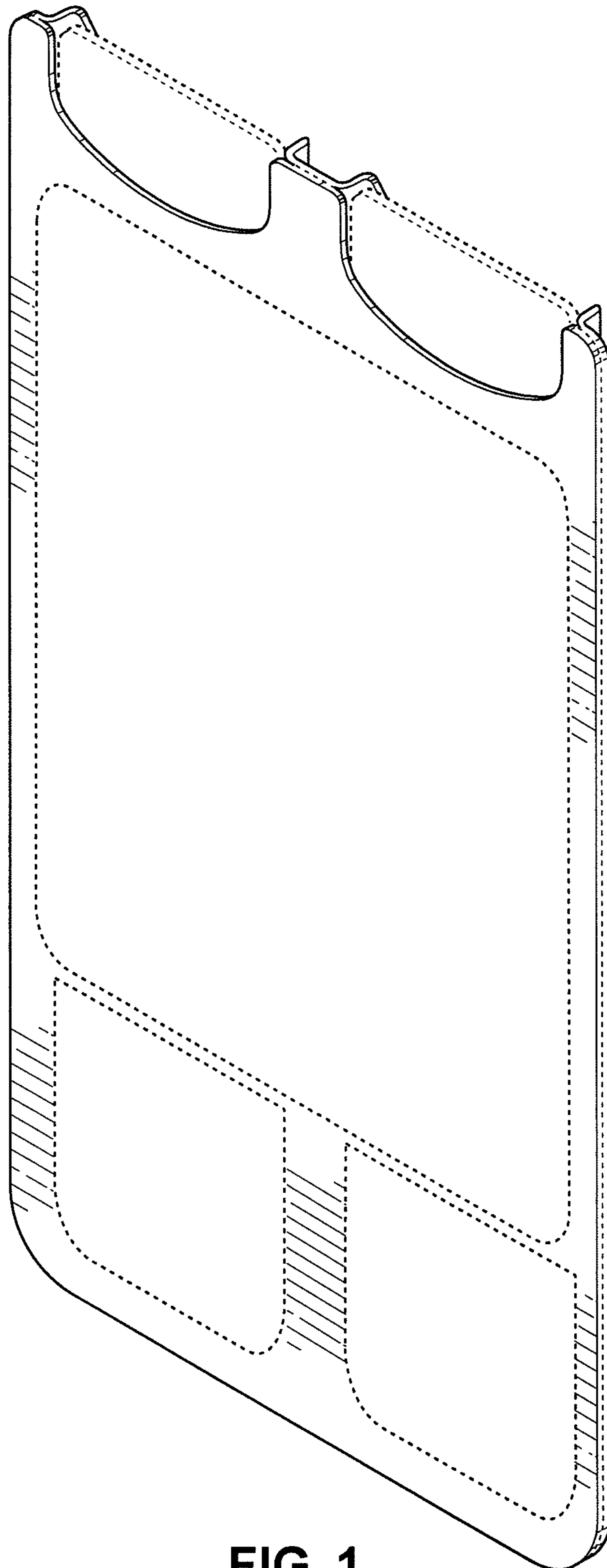


FIG. 1

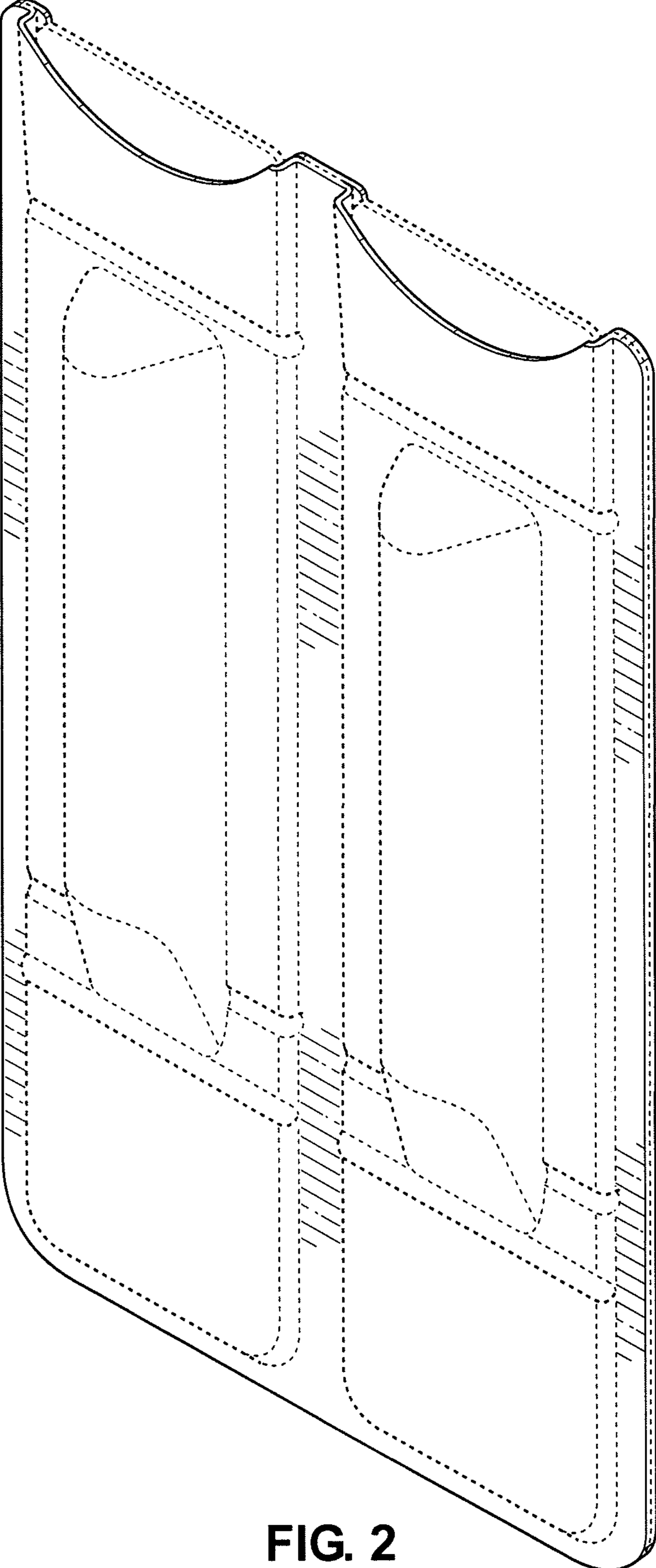


FIG. 2

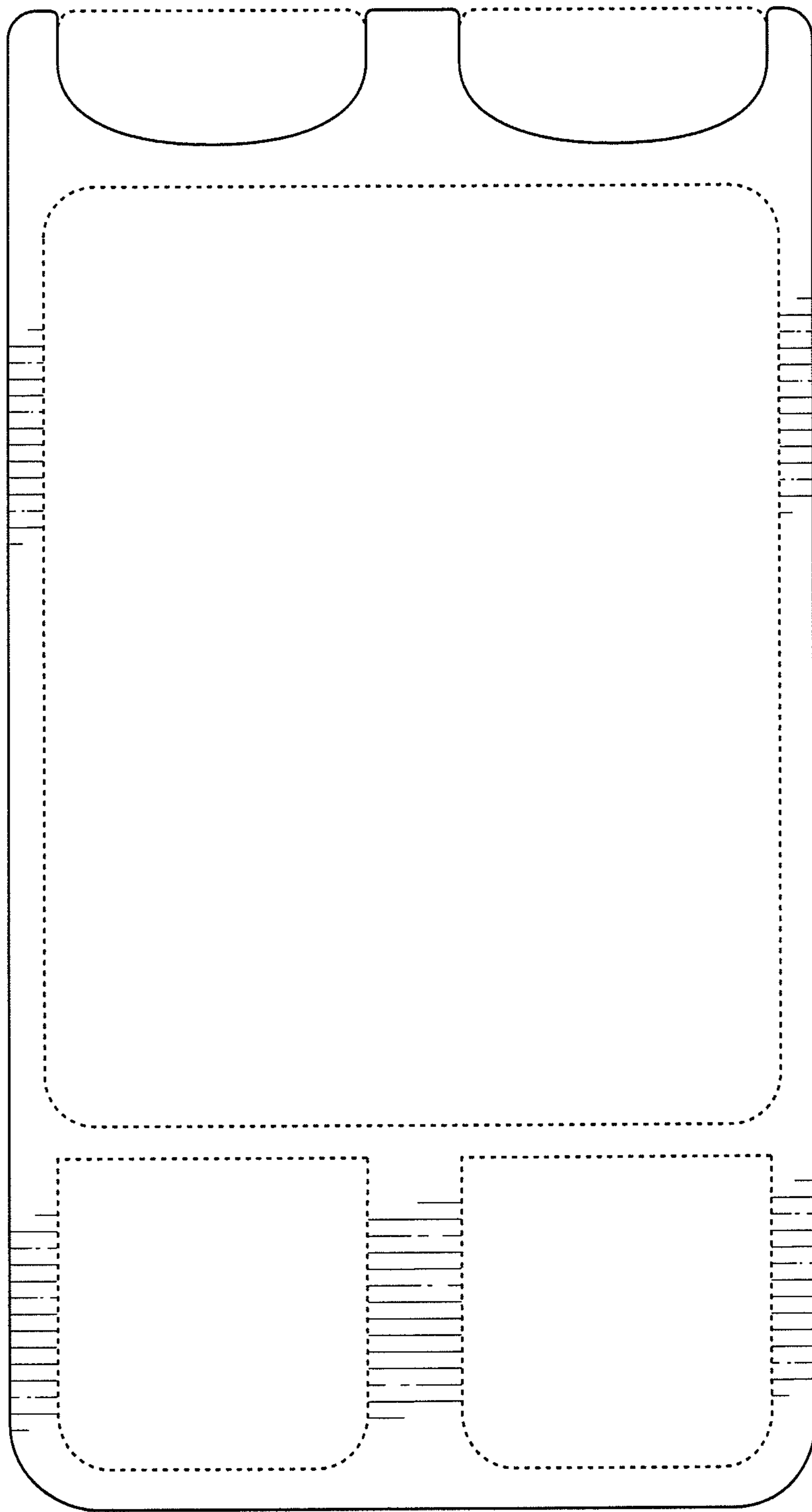


FIG. 3

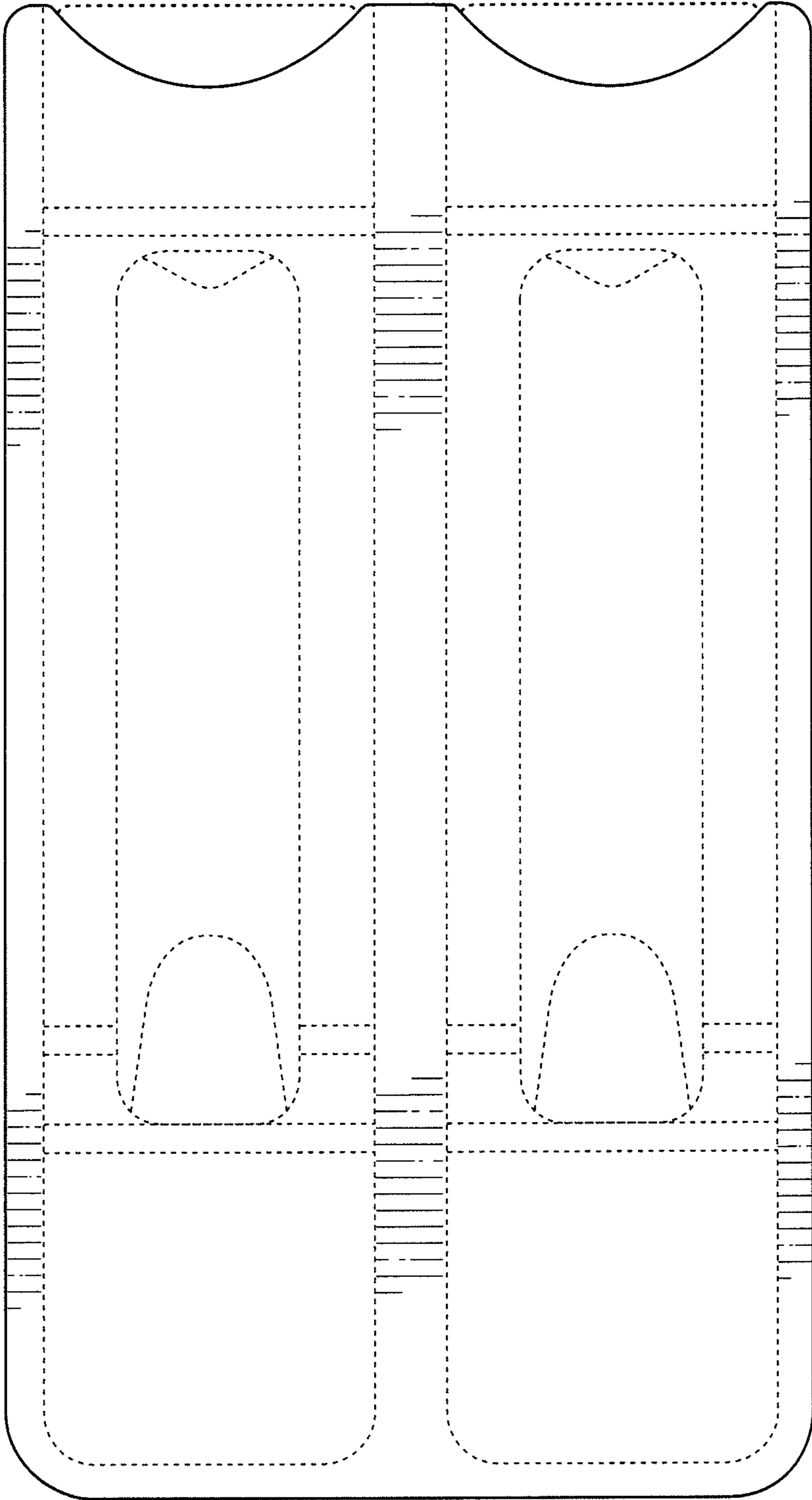


FIG. 4

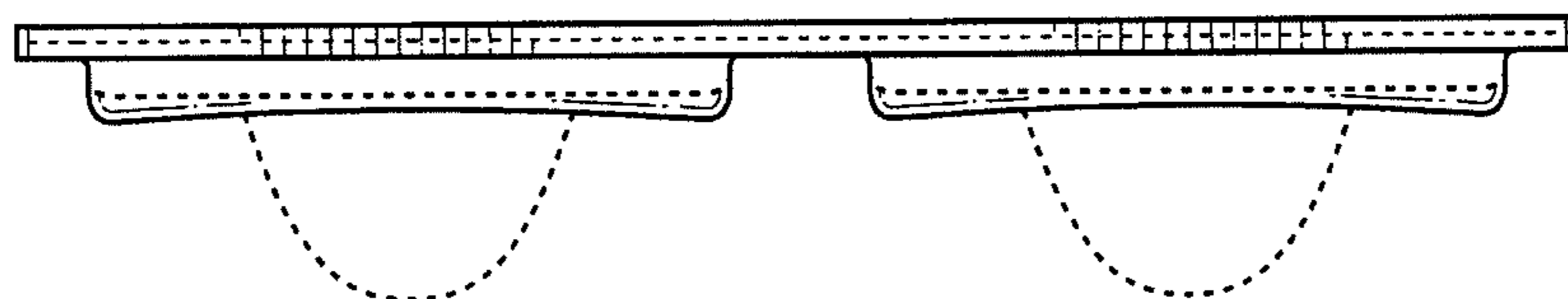


FIG. 5

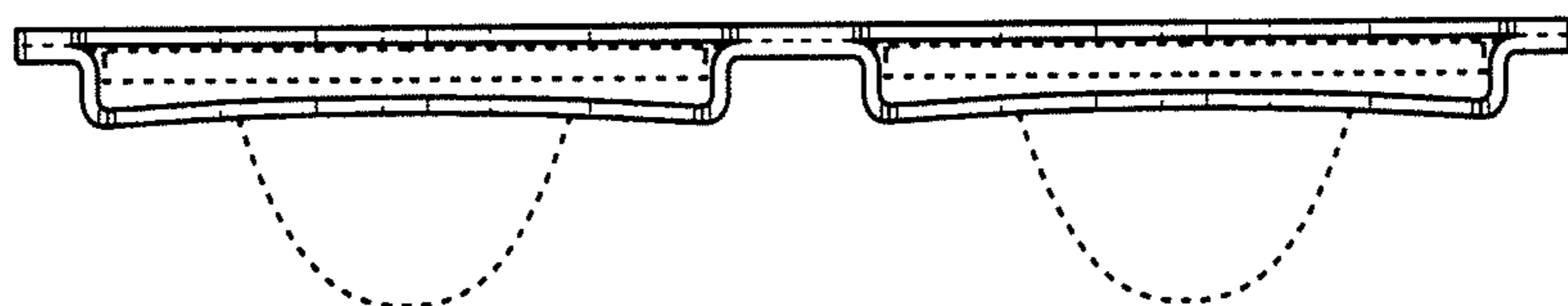


FIG. 6

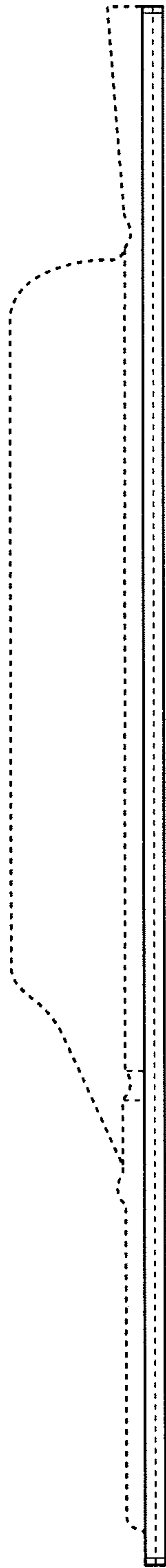


FIG. 7

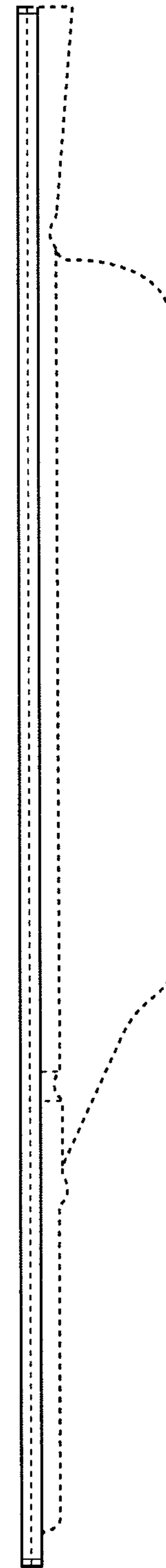


FIG. 8