



US00D920800S

(12) **United States Design Patent** (10) **Patent No.:** **US D920,800 S**
McGrath (45) **Date of Patent:** **** Jun. 1, 2021**

- (54) **COSMETICS BOTTLE**
- (71) Applicant: **Pat McGrath Cosmetics LLC**, New York, NY (US)
- (72) Inventor: **Patricia McGrath**, New York, NY (US)
- (73) Assignee: **Pat McGrath Cosmetics LLC**, New York, NY (US)
- (**) Term: **15 Years**
- (21) Appl. No.: **29/683,822**
- (22) Filed: **Mar. 15, 2019**
- (51) **LOC (13) Cl.** **09-01**
- (52) **U.S. Cl.**
USPC **D9/563; D9/573**
- (58) **Field of Classification Search**
USPC D9/522, 523, 542, 563, 574, 559, 560, D9/564, 566, 571, 573, 575
CPC . B65D 1/0223; B65D 2501/0081; B65D 1/02
See application file for complete search history.

- D713,730 S * 9/2014 Perez-Cabrera D9/546
- D719,455 S * 12/2014 Perez-Cabrera D9/559
- D740,127 S * 10/2015 Chertoff D9/444
- D763,691 S * 8/2016 Marantis D9/434
- D777,037 S * 1/2017 Serafin D9/560
- D803,694 S * 11/2017 Essler D9/561

(Continued)

OTHER PUBLICATIONS

Jennifer Adkins Beware of this product! Its fake!, Mar. 10, 2019, Amazon.com Customer Review, Amazon.com, URL:https://www.amazon.com/gp/customer-reviews/R38HUFZLKHUJYY/ref=cm_cr_srp_d_rvw_ttl?ie=UTF8&ASIN=B01LWXK4KH (Year: 2019).*

(Continued)

Primary Examiner — Brett Miller
Assistant Examiner — Rani J Abdallah
(74) *Attorney, Agent, or Firm* — Ziegler IP Law Group, LLC

(57) **CLAIM**

The ornamental design for a cosmetics bottle, as shown and described.

DESCRIPTION

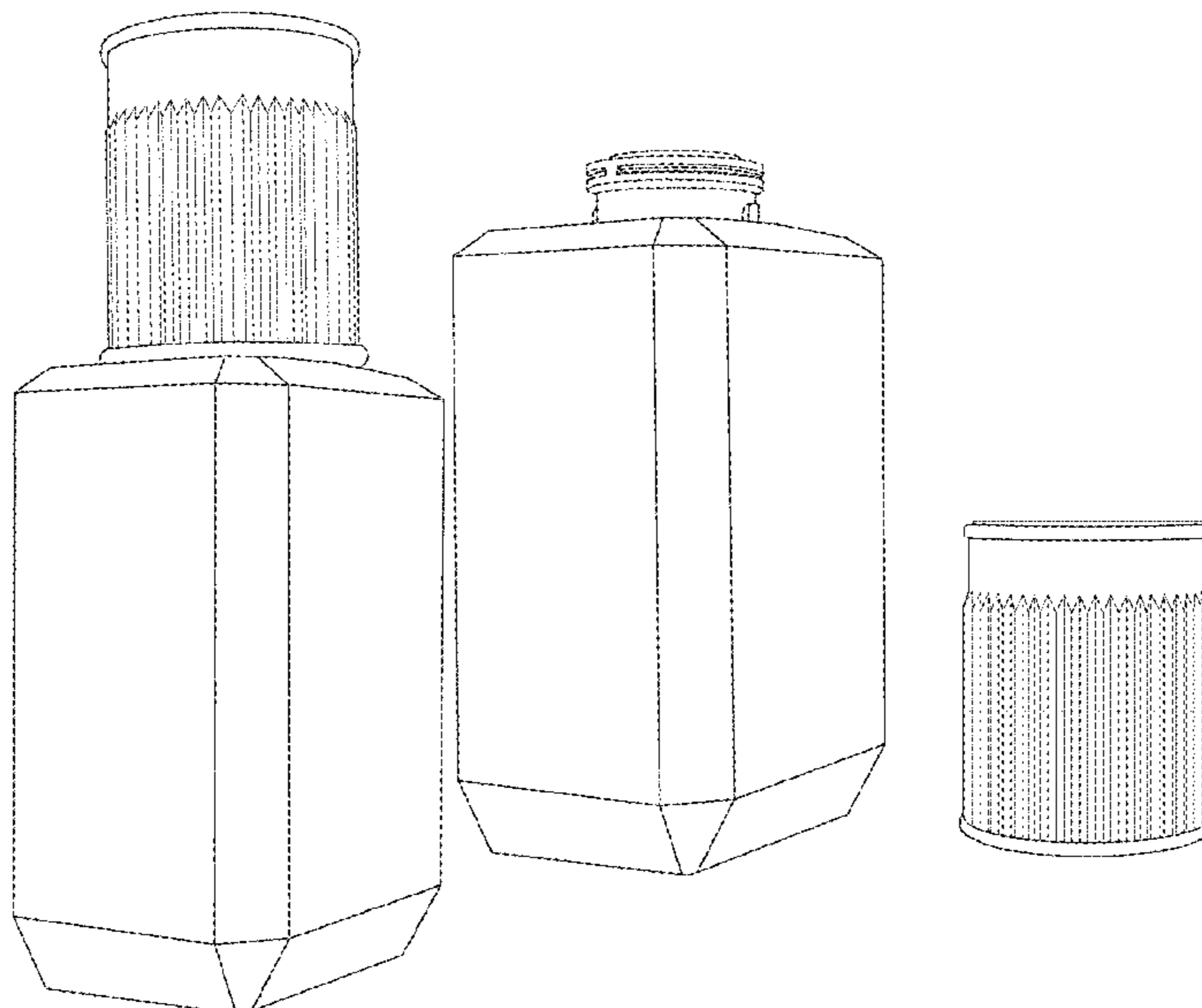
FIG. 1 is a perspective view of a cosmetics bottle showing the new design, the cosmetics bottle being shown in a closed state;
FIG. 2 is a perspective view of the cosmetics bottle of FIG. 1 shown in an open state;
FIG. 3 is a front view thereof;
FIG. 4 is a back view thereof;
FIG. 5 is a side view thereof;
FIG. 6 is another side view thereof;
FIG. 7 is a top view thereof; and,
FIG. 8 is a bottom view thereof.
The broken lines in the drawings form no part of the claimed design.

1 Claim, 8 Drawing Sheets

(56) **References Cited**

U.S. PATENT DOCUMENTS

- D204,571 S * 4/1966 Du Pree D9/564
- D214,877 S * 8/1969 Blallo D9/560
- D260,367 S * 8/1981 Grip D9/571
- D260,610 S * 9/1981 Grip D9/571
- D522,872 S * 6/2006 Lascaux D9/573
- D553,004 S * 10/2007 Krakoff D9/694
- D602,787 S * 10/2009 Gaultier D9/575
- D632,969 S * 2/2011 Monteparo D9/573
- D633,806 S * 3/2011 Lecoule D9/451
- D637,491 S * 5/2011 Bogert D9/452
- D646,581 S * 10/2011 Baron D9/435
- D655,612 S * 3/2012 Oge-Nichols D9/451
- D664,039 S * 7/2012 Monteparo D9/544
- D680,004 S * 4/2013 Lecetre D9/544
- D705,663 S * 5/2014 Guichot D9/573



(56)

References Cited

U.S. PATENT DOCUMENTS

D808,280 S *	1/2018	Nagata	D9/560
D808,815 S *	1/2018	Arkin	D9/560
D832,714 S *	11/2018	Matauch	D9/574
D857,516 S *	8/2019	Lutens	D9/682
D863,971 S *	10/2019	Monteparo	D9/560
D873,146 S *	1/2020	Nechita	D9/560
D883,101 S *	5/2020	Lutens	D9/694
2011/0114593 A1 *	5/2011	Ishii	B65D 41/325 215/253

OTHER PUBLICATIONS

Devon Abelman, Pat McGrath Is About to Launch the Ultimate Foundation System, Sep. 15, 2020, Allure.com, URL:<https://www.allure.com/story/pat-mcgrath-labs-sublime-perfection-foundation-primer-setting-powder> (Year: 2020).*

* cited by examiner

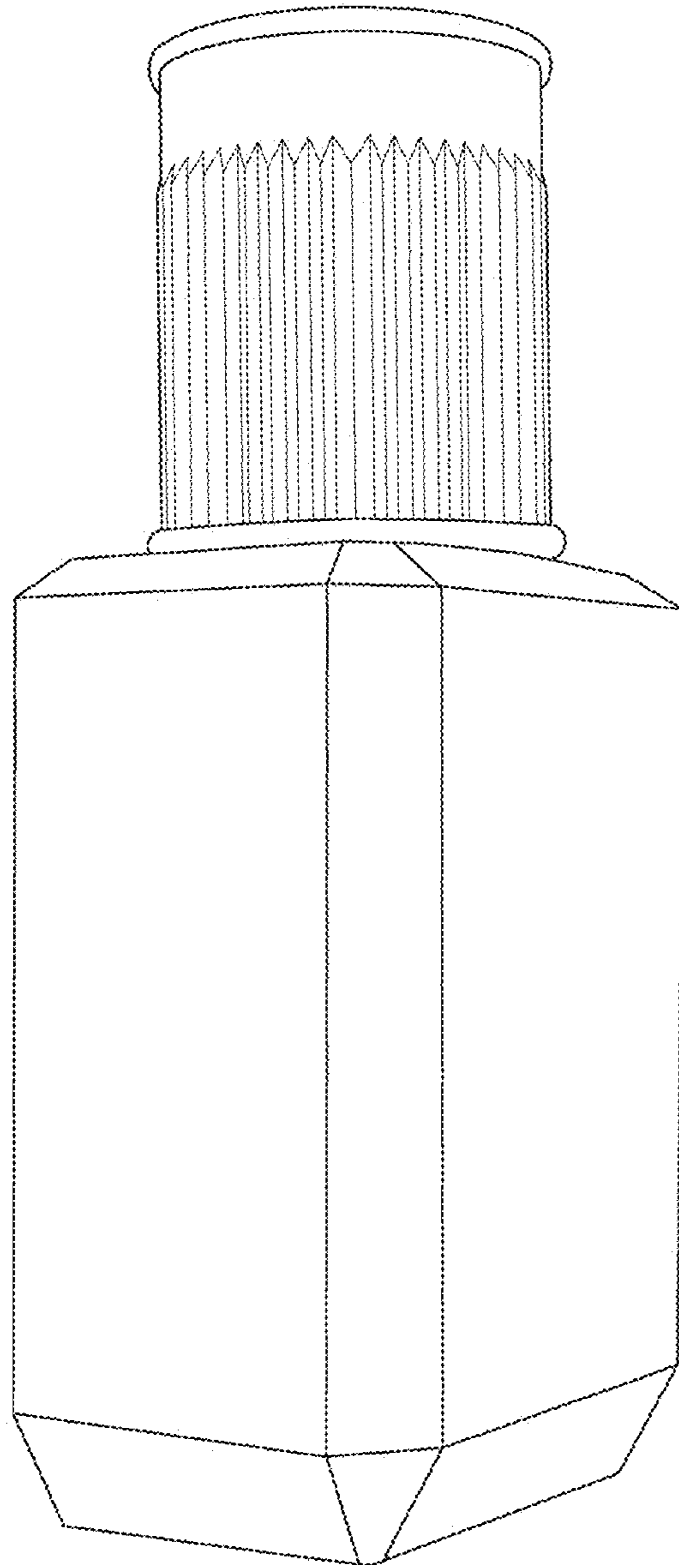


FIG. 1

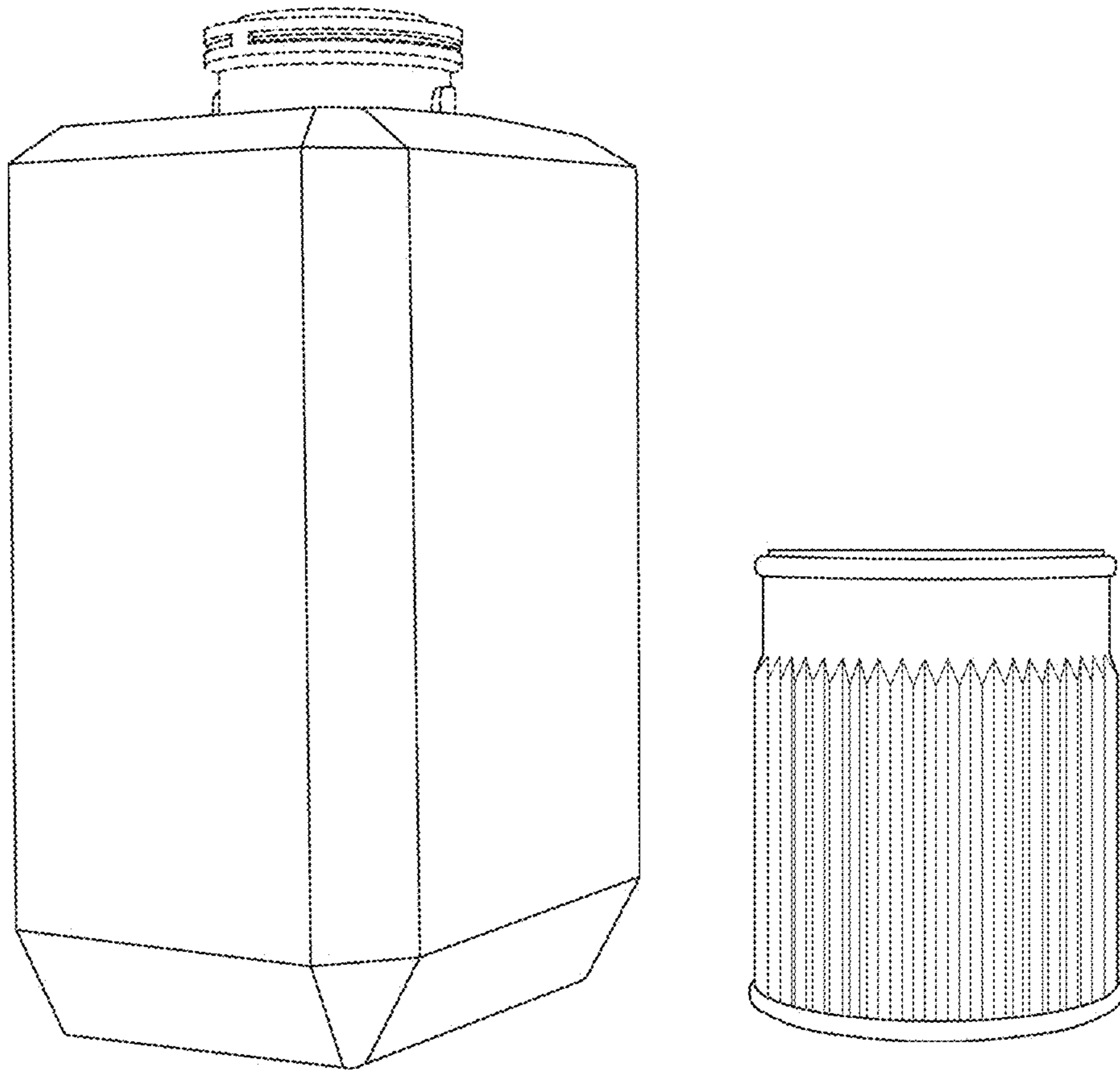


FIG. 2

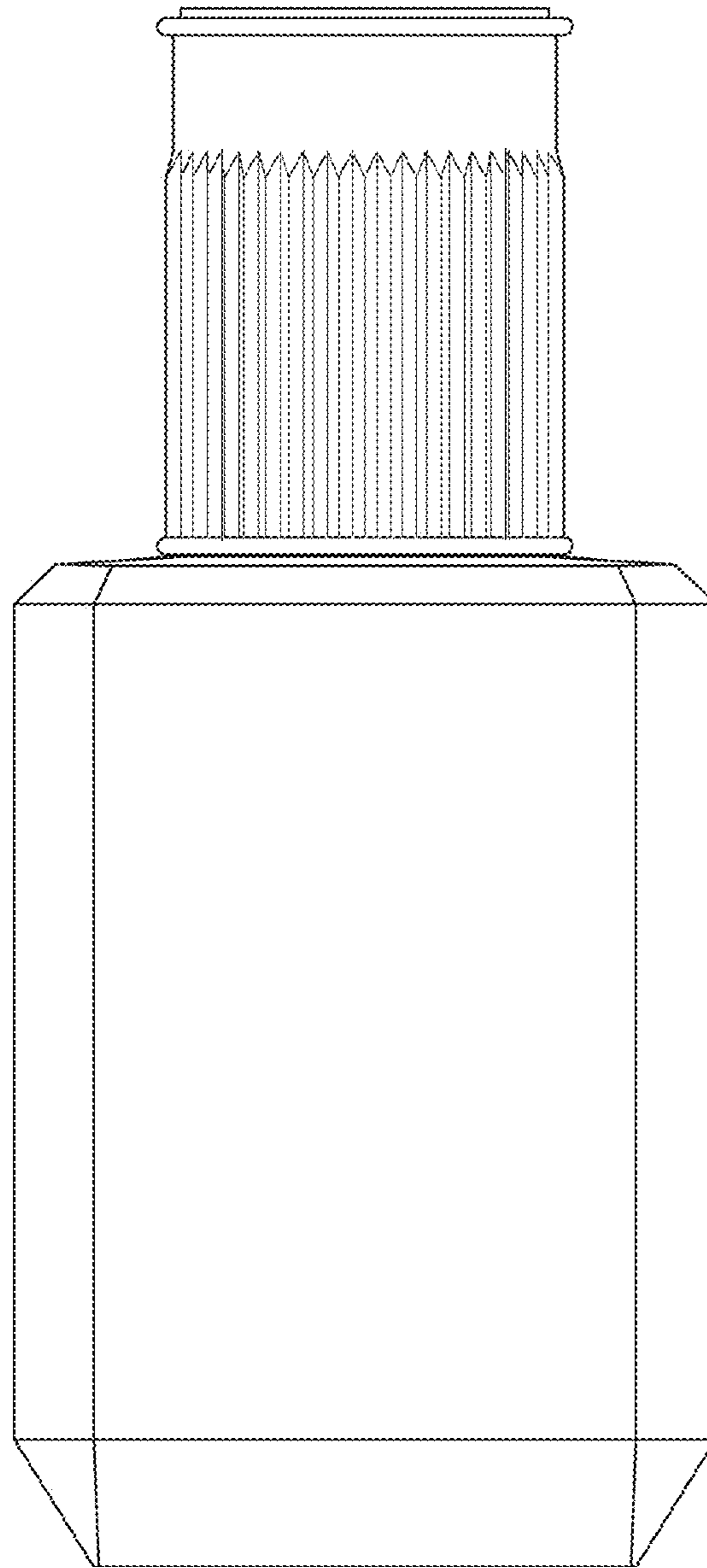


FIG. 3

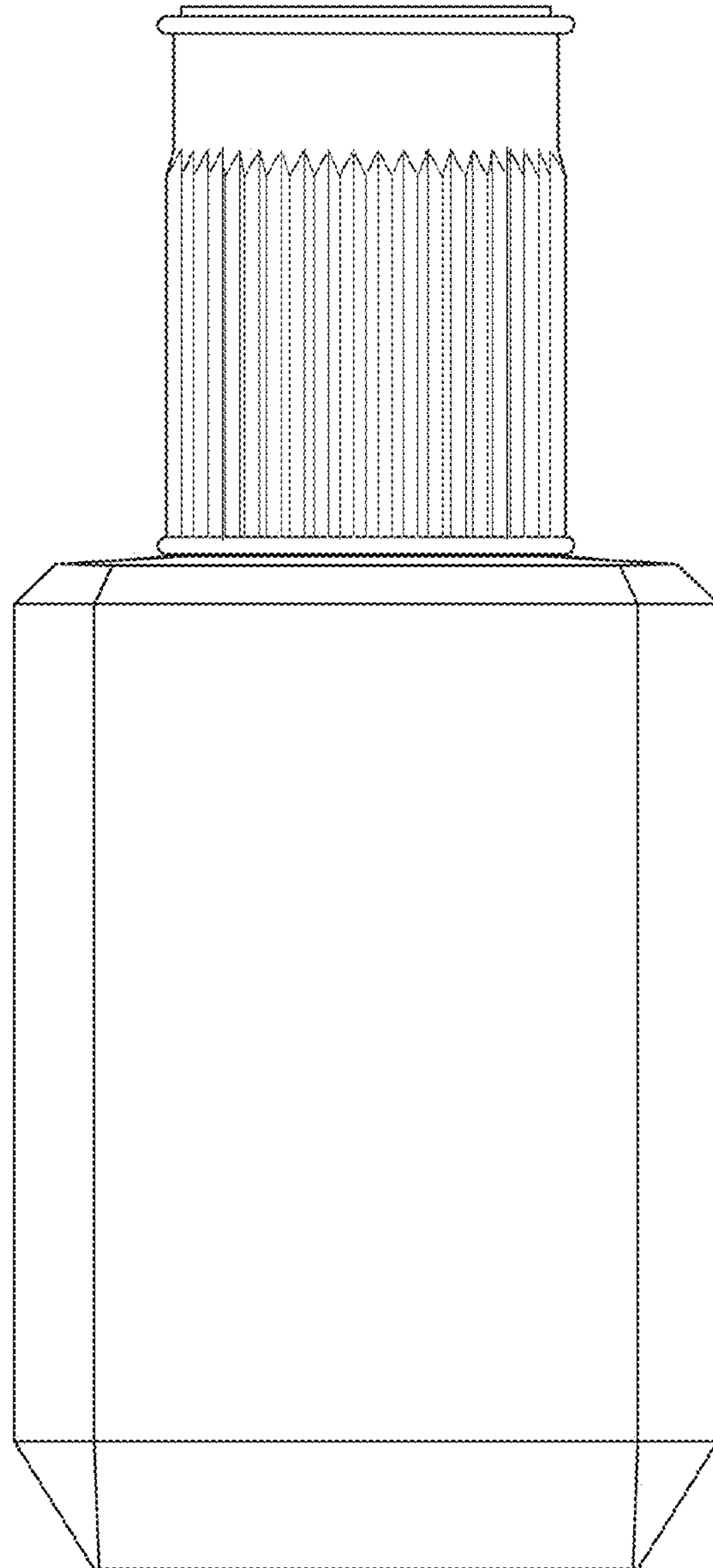


FIG. 4

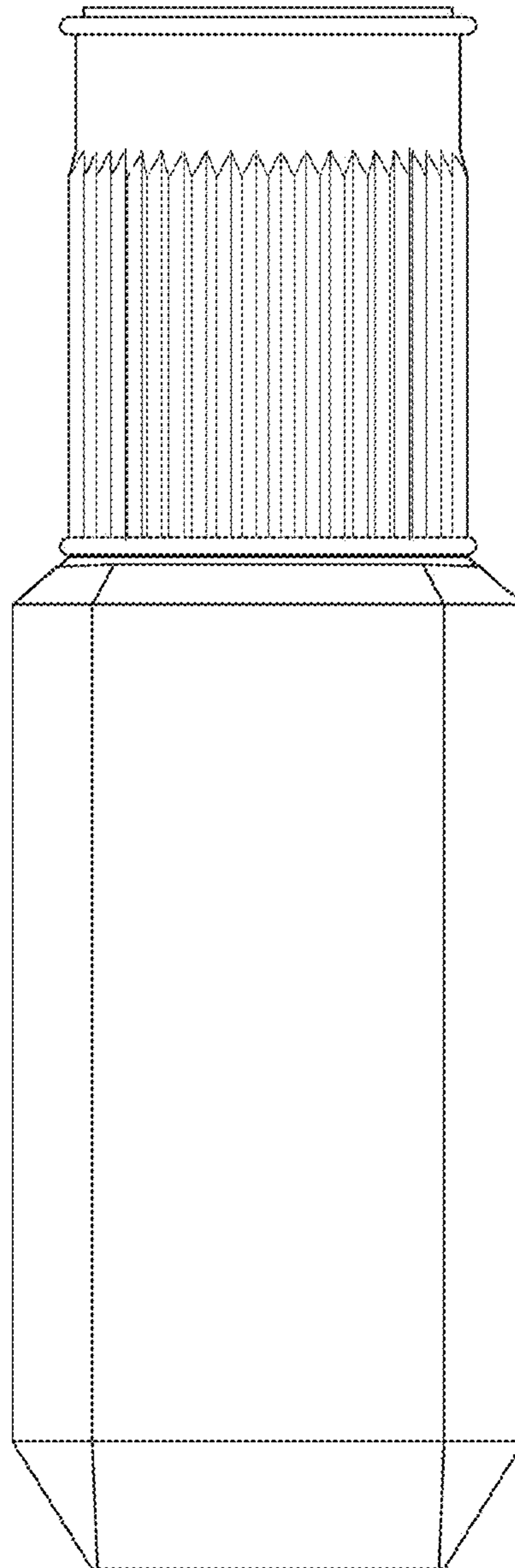


FIG. 5

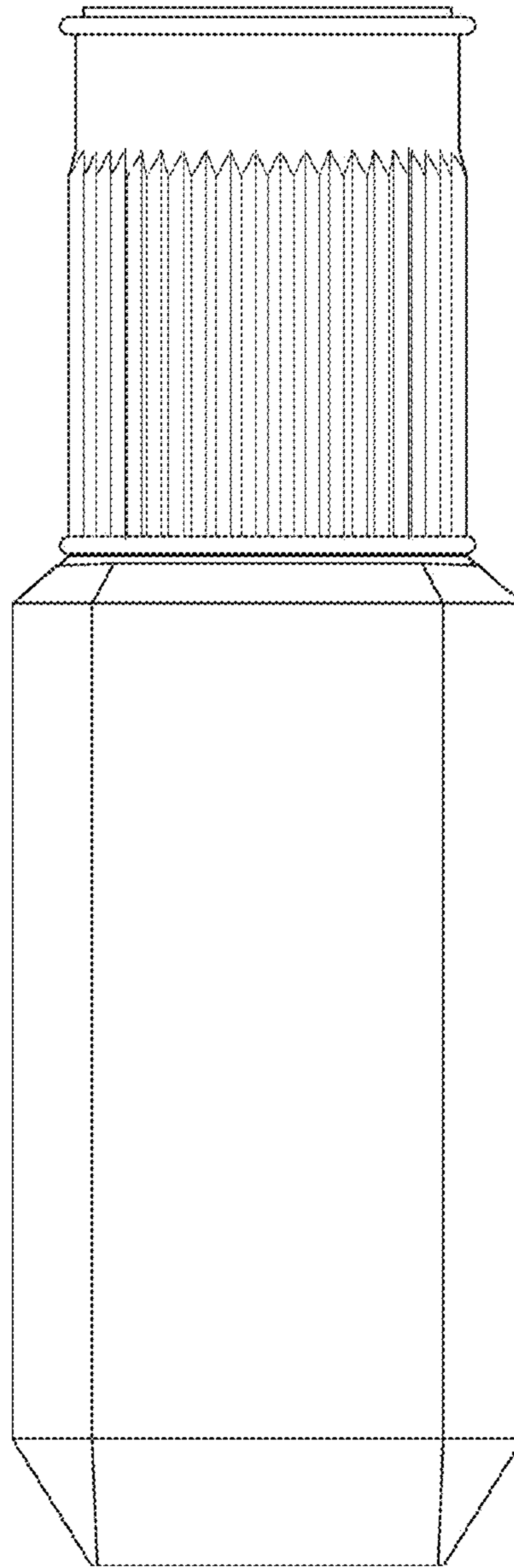


FIG. 6

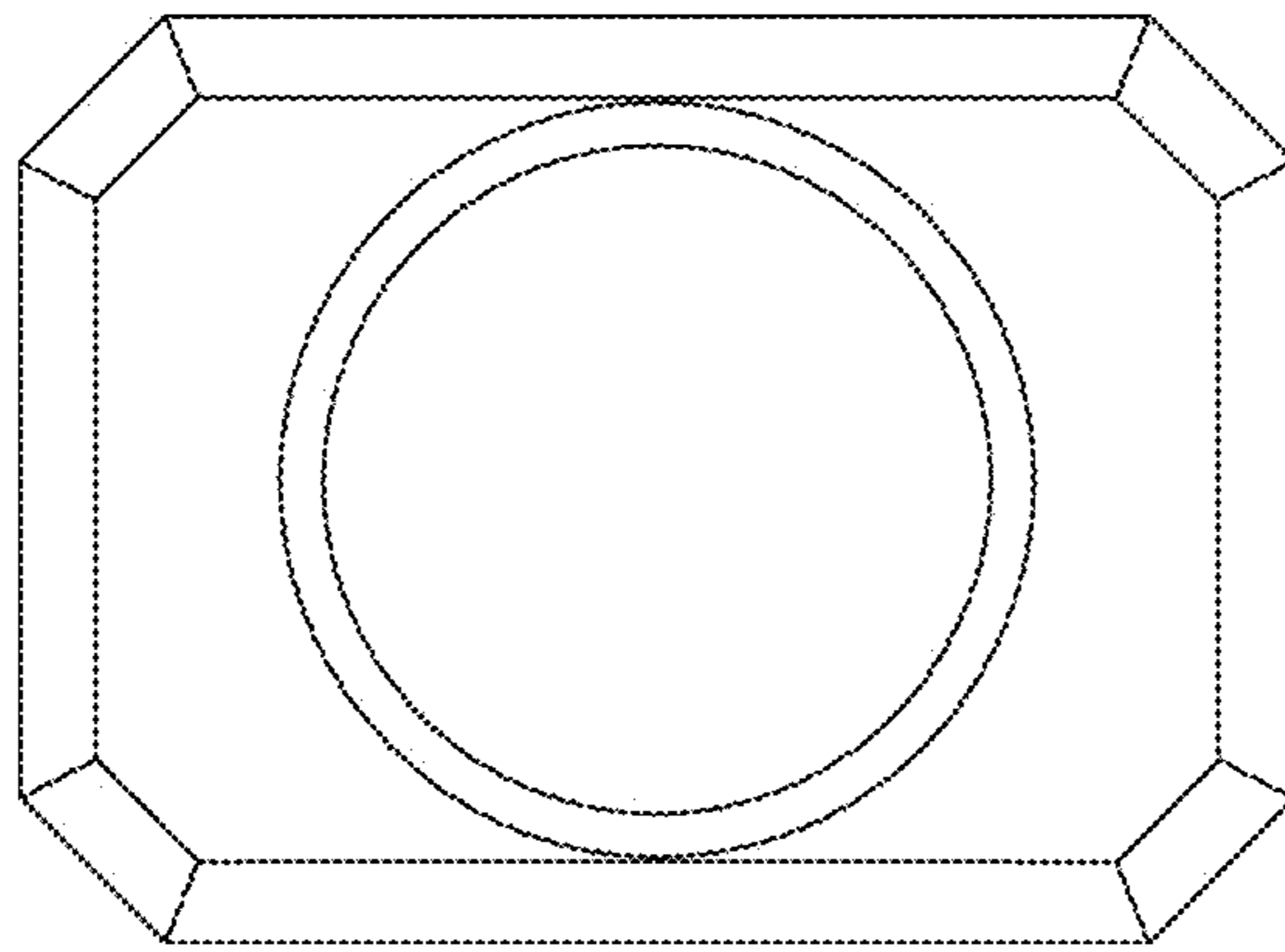


FIG. 7

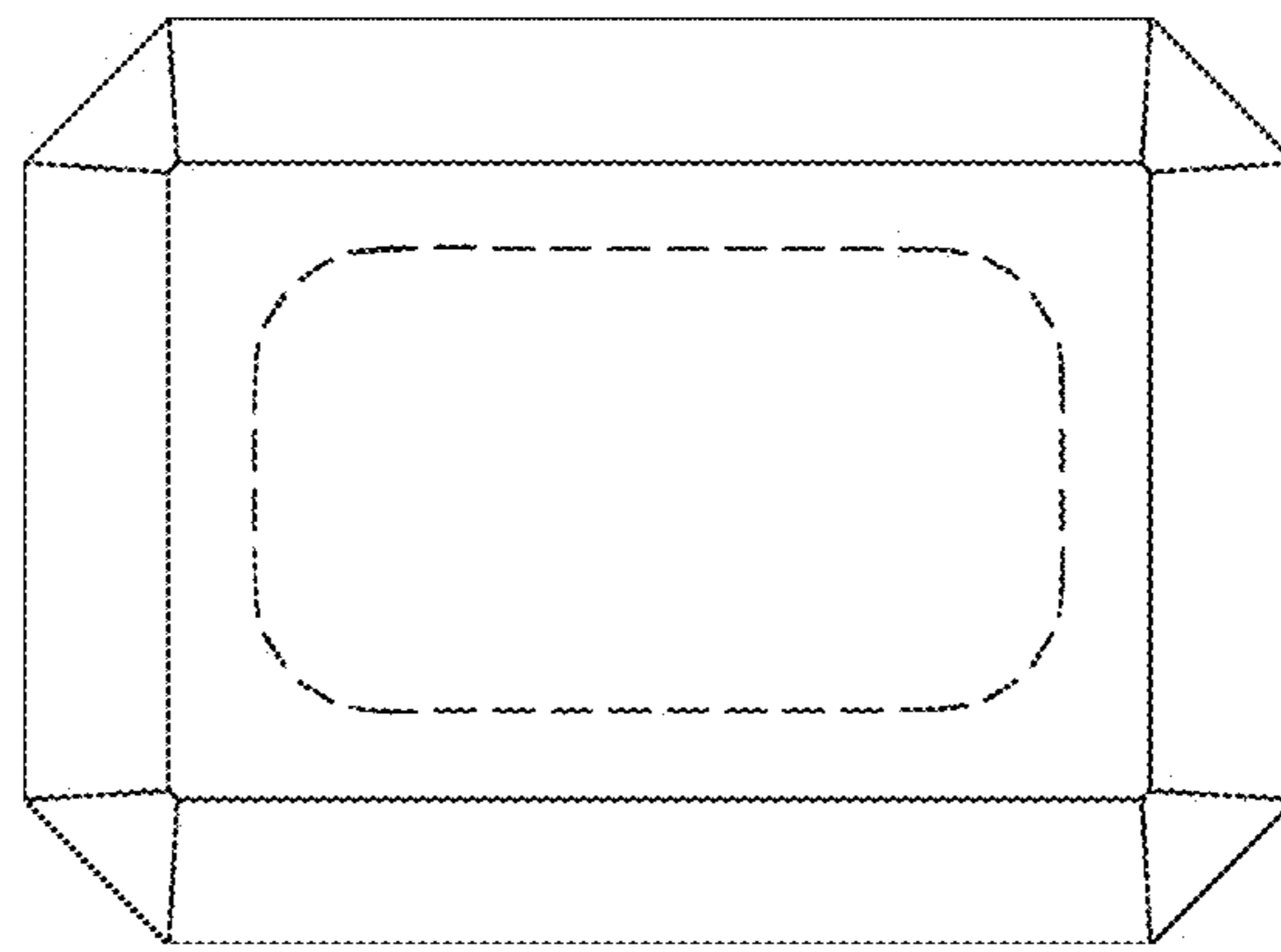


FIG. 8