



US00D920798S

(12) **United States Design Patent**
Feletto

(10) **Patent No.:** **US D920,798 S**

(45) **Date of Patent:** **** Jun. 1, 2021**

(54) **BOTTLE**

(71) Applicant: **VETROELITE SPA**, Ormelle (IT)

(72) Inventor: **Daniele Feletto**, Ormelle (IT)

(**) Term: **15 Years**

(21) Appl. No.: **29/712,715**

(22) Filed: **Nov. 11, 2019**

(30) **Foreign Application Priority Data**

May 21, 2019 (EM) 006494613-0001

(51) **LOC (13) Cl.** **09-01**

(52) **U.S. Cl.**

USPC **D9/544**; D9/574

(58) **Field of Classification Search**

USPC D9/521, 531, 544–546, 549, 554, 557,
D9/558, 573–575; D3/202

CPC .. B65D 1/0284; B65D 1/0223; B65D 1/0276;
B65D 2501/0081; B65D 2543/00092

See application file for complete search history.

(56) **References Cited**

U.S. PATENT DOCUMENTS

D213,041 S *	12/1968	Stehl	D9/573
D259,098 S *	5/1981	Lauren	D9/545
D407,210 S *	3/1999	Lauth, III	D3/202
D524,658 S *	7/2006	Varlet	D9/544
D533,185 S *	12/2006	Ishida	D9/574
D537,725 S *	3/2007	Varlet	D9/544
D545,206 S *	6/2007	Brown	D9/544
D548,606 S *	8/2007	Rica	D9/544
D559,696 S *	1/2008	Didier	D9/544
D589,355 S *	3/2009	Rica	D9/544
D601,032 S *	9/2009	Rica	D9/544
D601,033 S *	9/2009	Rica	D9/544
D652,309 S *	1/2012	Hartford	D9/544
D660,170 S *	5/2012	Hartford	D9/544
D693,227 S *	11/2013	Gonzalez Rodriguez	D9/544

D694,637 S *	12/2013	Gaydon	D9/545
D701,768 S *	4/2014	Baker	D9/544
D704,563 S *	5/2014	Gonzalez Rodriguez	D9/558
D704,565 S *	5/2014	Humm	D9/545
D724,438 S *	3/2015	Gaydon	D9/573
D727,162 S *	4/2015	Gaydon	D9/573
D784,822 S *	4/2017	Yen	D9/574
D790,348 S *	6/2017	Plaschke	D9/544
D792,231 S *	7/2017	Thompson	D9/544
D795,076 S *	8/2017	Andran	D9/546

(Continued)

FOREIGN PATENT DOCUMENTS

CN	302648418	* 11/2013
CN	303735816	* 7/2016

OTHER PUBLICATIONS

Tlna Bowling—Fragrance Gifts for Men: Eau De Lacoste L.12.12 Blanc and Noir, Dec. 21, 2013, URL:<http://myhighestselfblog.com/fragrance-gifts-men-eau-de-lacoste-l-12-12-blanc-noir/>(Year: 2013).*

Primary Examiner — Brett Miller

Assistant Examiner — Rani J Abdallah

(74) *Attorney, Agent, or Firm* — Egbert Law Offices, PLLC

(57) **CLAIM**

The ornamental design for a bottle, as shown and described.

DESCRIPTION

FIG. 1 is a perspective view of a bottle showing my new design.

FIG. 2 is a front view thereof;

FIG. 3 is a rear view thereof;

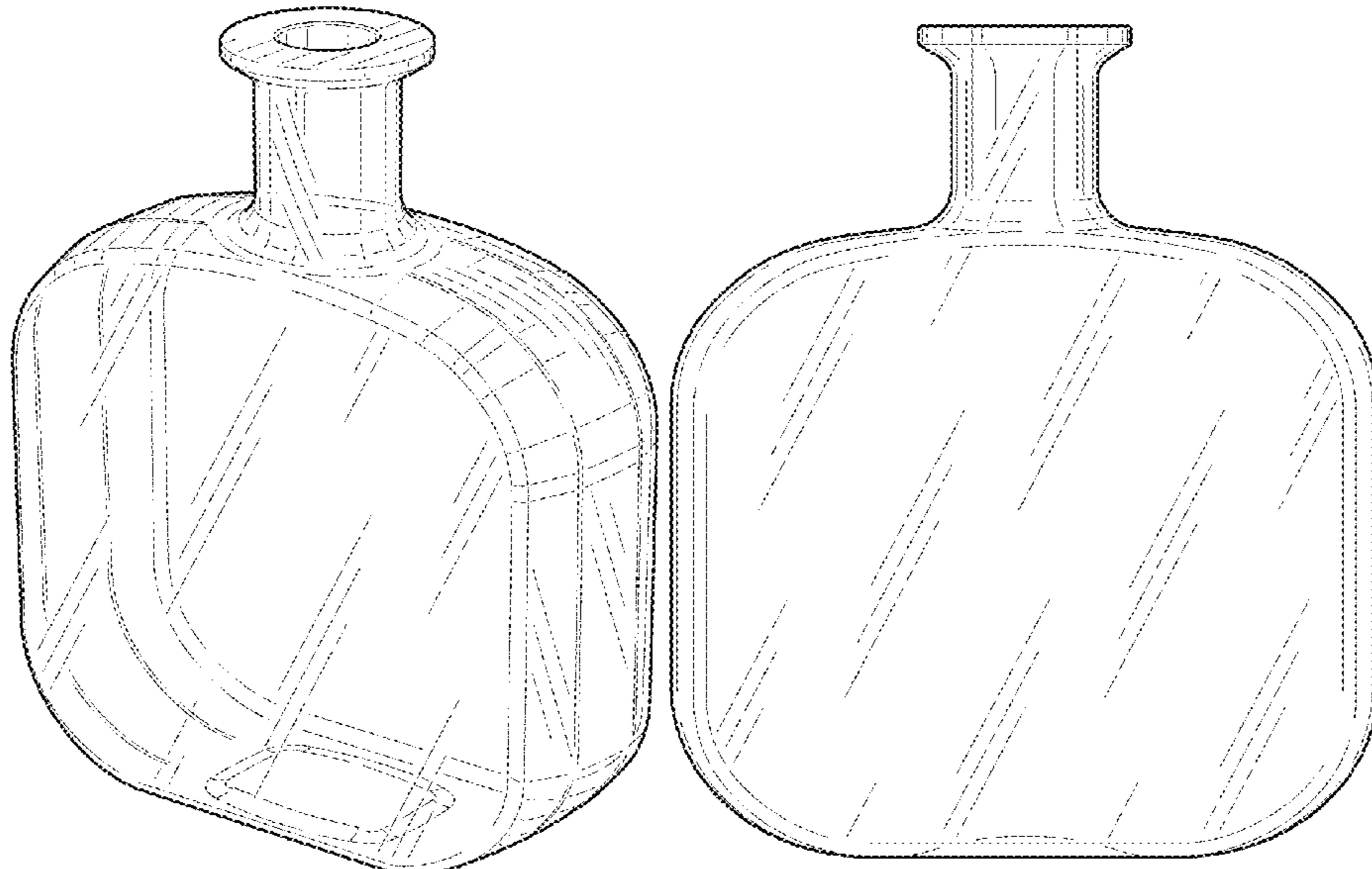
FIG. 4 is a side view thereof;

FIG. 5 is an opposite side view being thereof;

FIG. 6 is a top view thereof; and,

FIG. 7 is a bottom view thereof.

1 Claim, 2 Drawing Sheets



(56)

References Cited

U.S. PATENT DOCUMENTS

D796,962	S	*	9/2017	Gonzalez Rodriguez	D9/544
D797,567	S	*	9/2017	Santos	D9/574
D802,431	S	*	11/2017	Thompson	D9/574
D815,541	S	*	4/2018	Harris	D9/574
D815,542	S	*	4/2018	Harris	D9/574
D817,768	S	*	5/2018	Yen	D9/575
D818,370	S	*	5/2018	Harris	D9/574
D832,713	S	*	11/2018	Mann	D9/575
D843,219	S	*	3/2019	Faillant Dumas	D9/544
D883,098	S	*	5/2020	Thompson	D9/574
D911,187	S	*	2/2021	Venables	D9/575

* cited by examiner

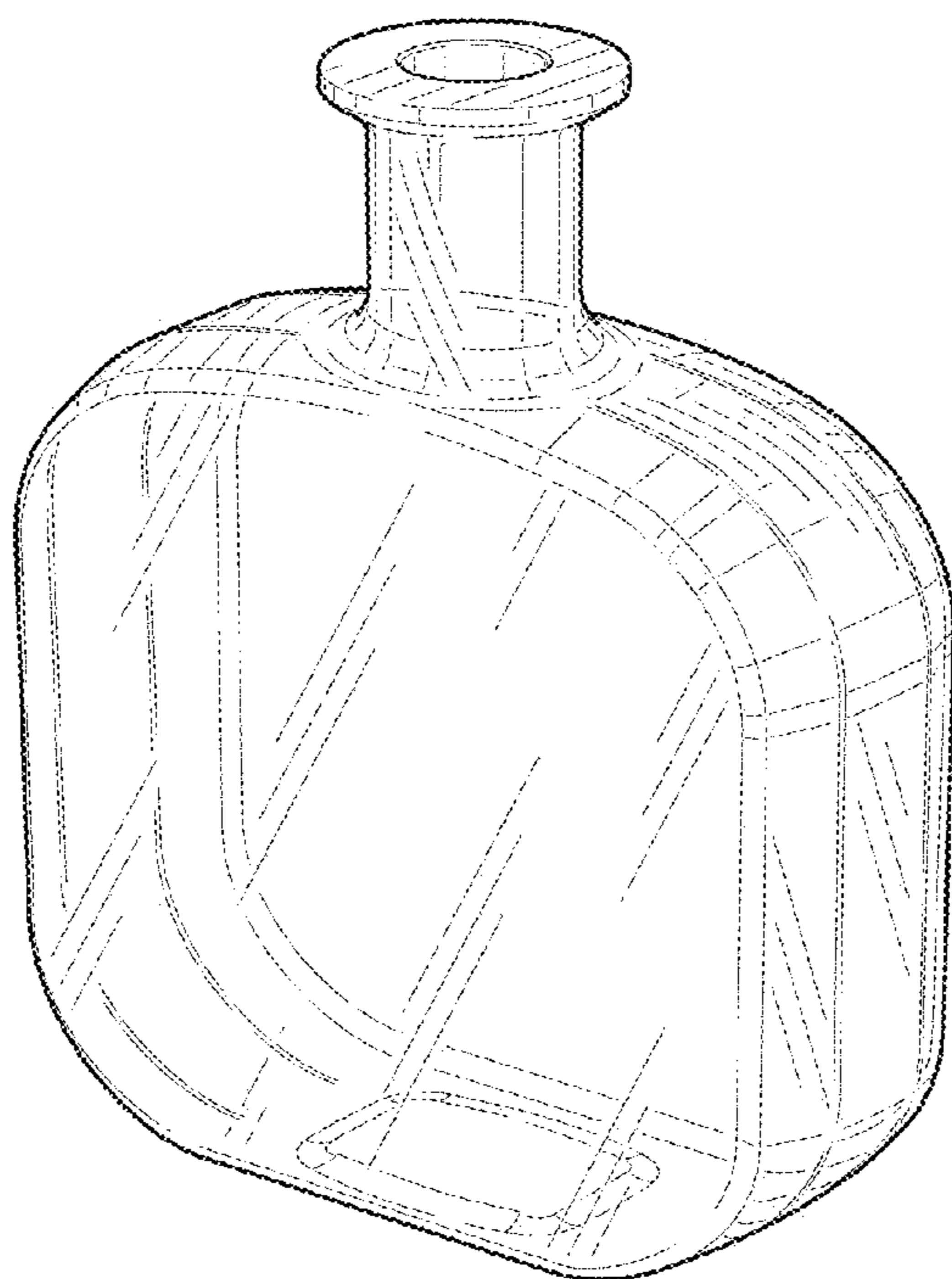


FIG. 1

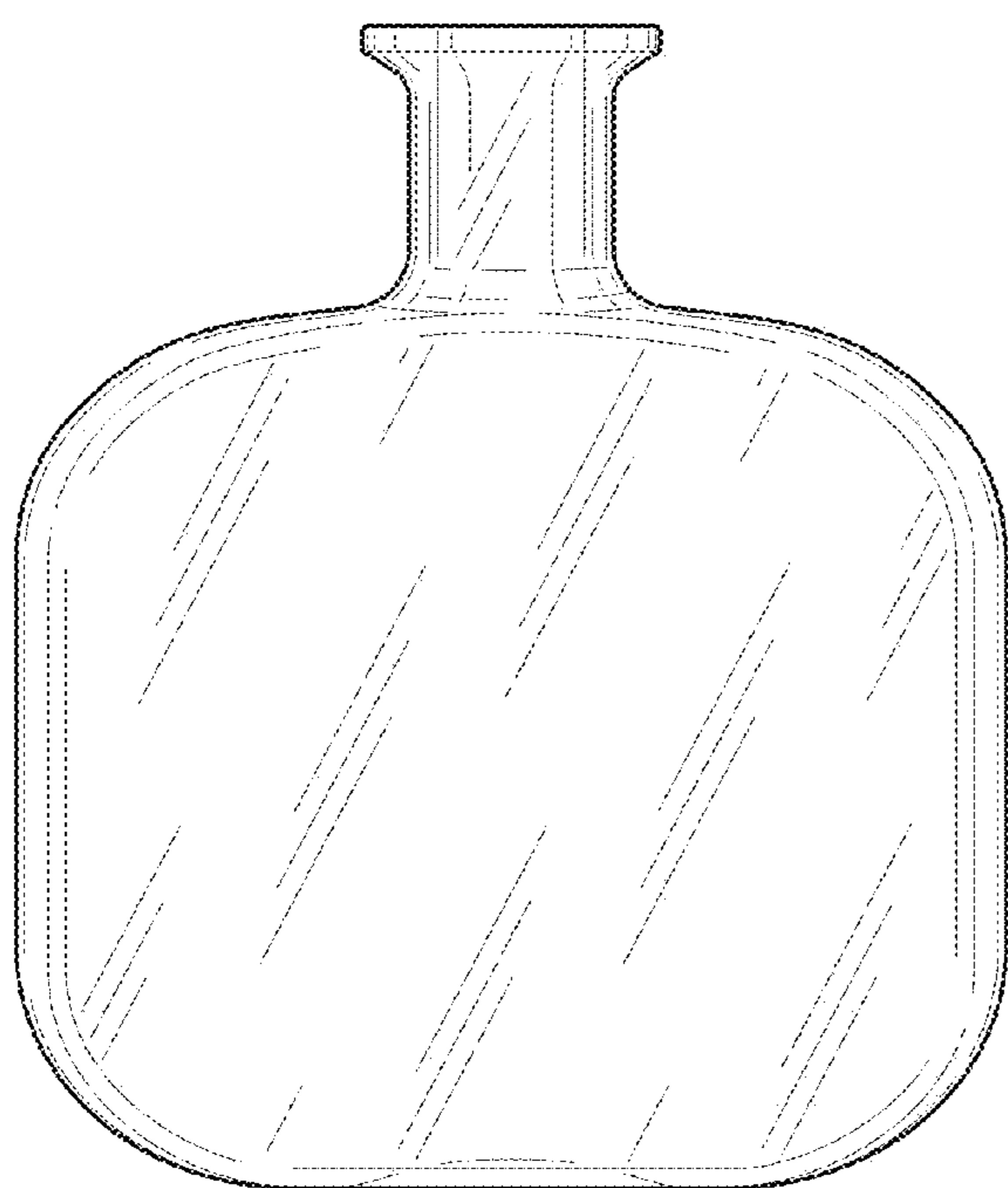


FIG. 2

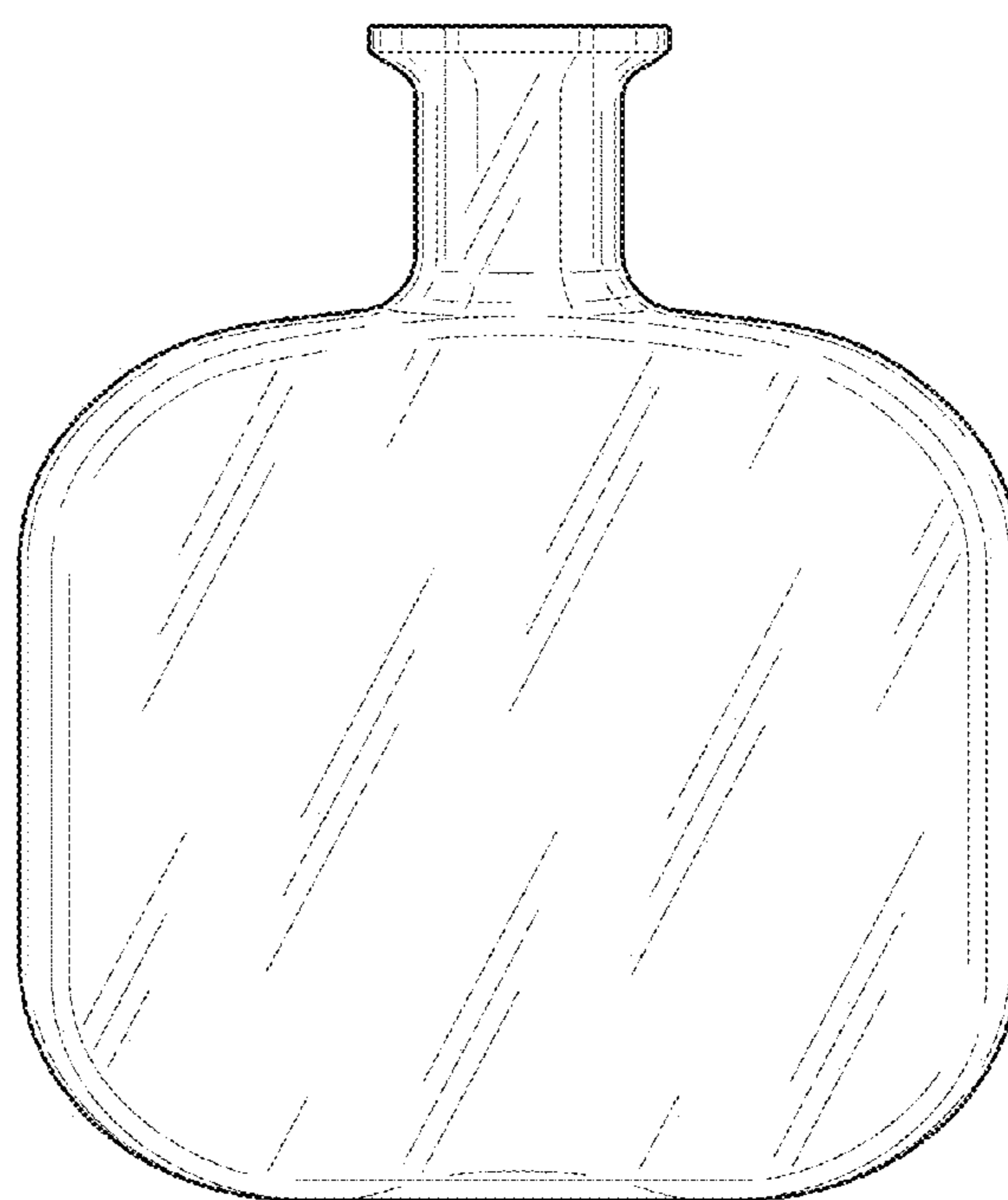


FIG. 3

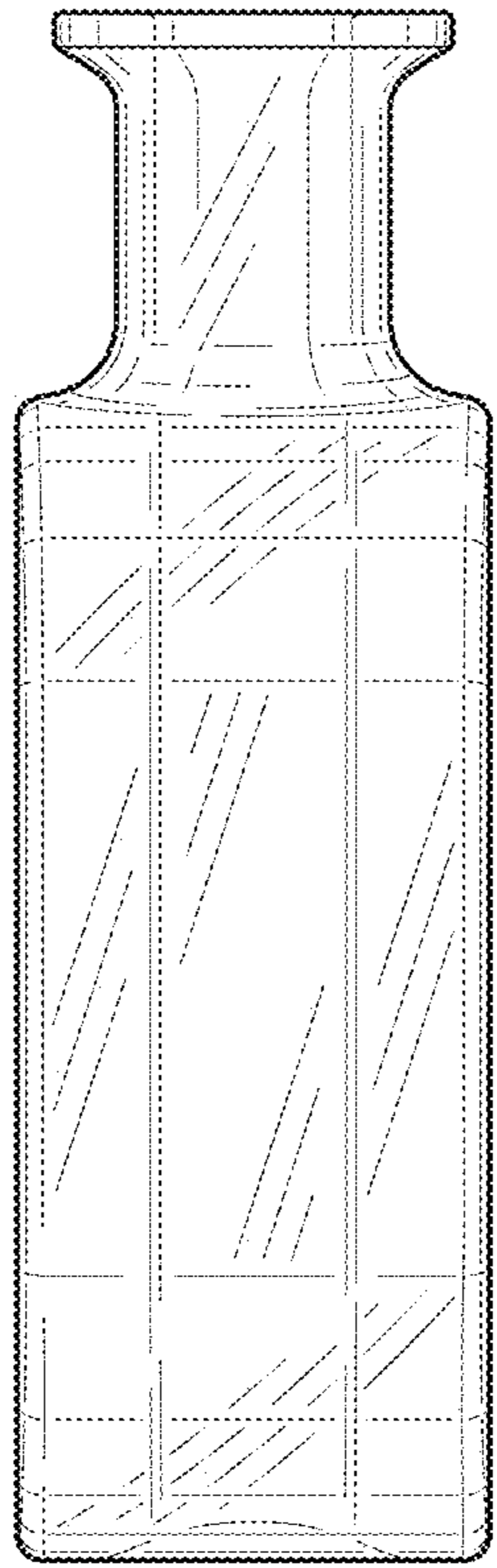


FIG. 4

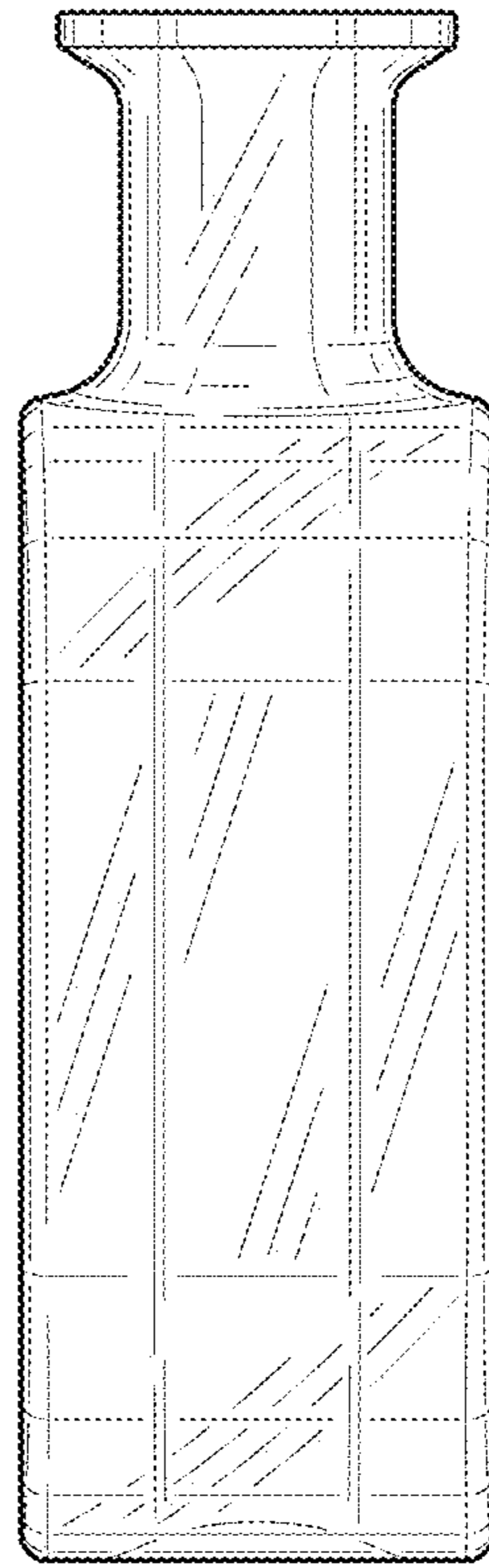


FIG. 5

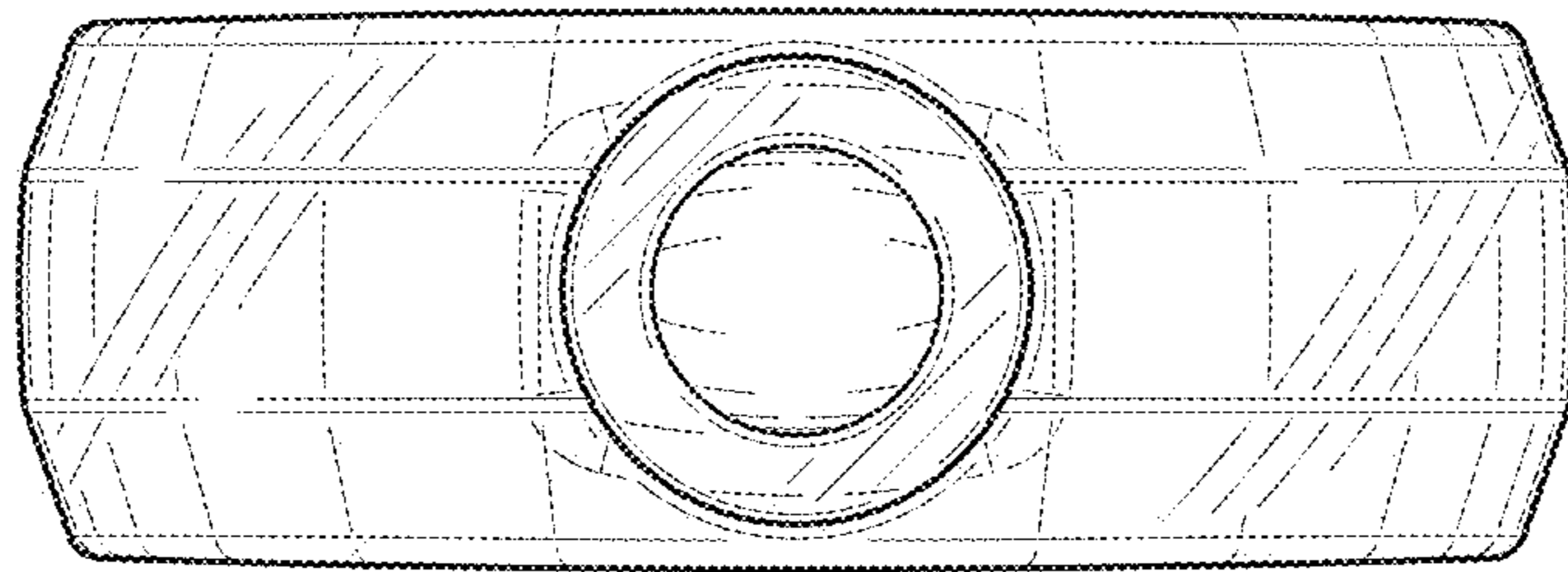


FIG. 6

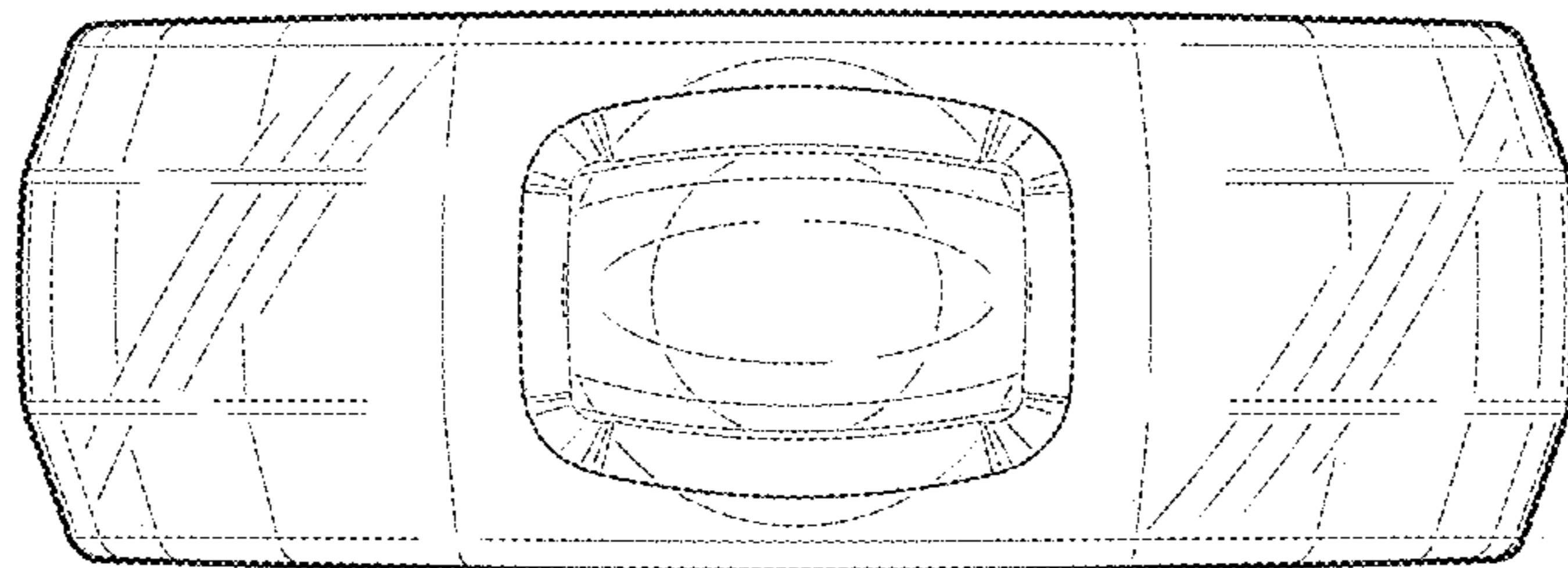


FIG. 7