



US00D920793S

(12) **United States Design Patent**
Hawry et al.

(10) **Patent No.:** **US D920,793 S**
(45) **Date of Patent:** **** Jun. 1, 2021**

- (54) **JAR WITH LID**
- (71) Applicant: **Berlin Packaging, LLC**, Chicago, IL (US)
- (72) Inventors: **Liam Hawry**, Chicago, IL (US); **Brett Niggel**, Chicago, IL (US)
- (73) Assignee: **Berlin Packaging, LLC**, Chicago, IL (US)

D322,753 S *	12/1991	Sussman	D9/504
D612,240 S *	3/2010	Cresswell	D9/504
D623,475 S *	9/2010	Aarnoudse	D7/510
D659,539 S *	5/2012	Bakic	D9/503
D666,061 S *	8/2012	Ying	D7/629
D721,540 S *	1/2015	Grcic	B65D 83/0033
				D7/511
D736,563 S *	8/2015	George	B65D 83/0033
				D7/510

- (**) Term: **15 Years**
- (21) Appl. No.: **29/704,671**

(Continued)

Primary Examiner — Brett Miller
Assistant Examiner — Rani J Abdallah
 (74) *Attorney, Agent, or Firm* — Adam K. Sacharoff;
 Much Shelist, P.C.

- (22) Filed: **Sep. 6, 2019**
- (51) **LOC (13) Cl.** **09-01**
- (52) **U.S. Cl.**
USPC **D9/503**

(57) **CLAIM**

The ornamental design for a jar with lid, as shown and described.

- (58) **Field of Classification Search**
USPC D9/440, 443, 447, 516, 520, 523–528, D9/530–543, 550, 551, 552, 554, 556, D9/558, 563, 428, 573–575, 564, 522, D9/529, 454, 500–505, 545, 549, 688, D9/738, 767, 772; D7/396.2, 507, 509, D7/510, 511, 532, 533, 608, 631–634, D7/679, 316, 598, 603, 629; D3/202; D6/518, 523, 734
CPC B65D 1/0223; B65D 2543/00296; B65D 2543/00092; B65D 2543/00537; B65D 2501/0081; B65D 23/10; B65D 23/102; B65D 7/04; B65D 1/165; B65D 45/24; B65D 1/0246; B65D 1/0207; A47J 43/27; Y10S 220/906; B21D 51/2615; A47G 19/2255

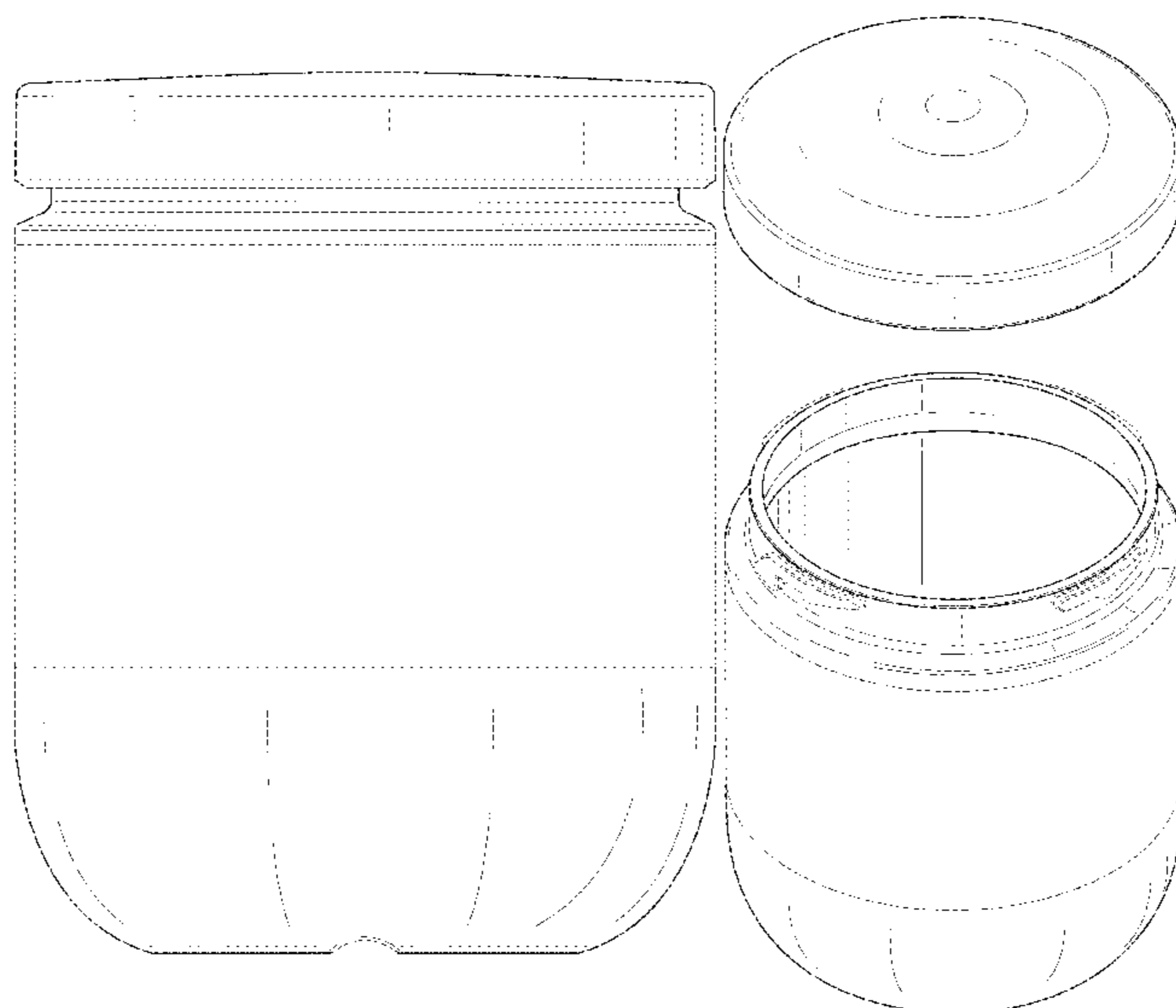
DESCRIPTION

FIG. 1 is a front left side perspective view showing the new design for a jar with lid secured thereto;
 FIG. 2 is a rear right side perspective view from underneath the jar with lid;
 FIG. 3 is a front view thereof, the rear view being a mirror thereof;
 FIG. 4 is a top plan view thereof;
 FIG. 5 is a bottom plan view thereof;
 FIG. 6 is a front left side perspective view showing the jar with lid exploded away therefrom;
 FIG. 7 is a rear right side perspective view thereof;
 FIG. 8 is a front view thereof, the rear view being a mirror thereof;
 FIG. 9 is a left side view thereof, the right side view being a mirror thereof;
 FIG. 10 is a top plan view thereof; and,
 FIG. 11 is a bottom plan view thereof.
 The broken lines in the FIGS. form no part of the claimed design.

(56) **References Cited**
 U.S. PATENT DOCUMENTS

D272,722 S * 2/1984 Haakenson D9/503
 5,052,592 A * 10/1991 Wilken B65D 83/0033
 222/212

1 Claim, 11 Drawing Sheets



(56)

References Cited

U.S. PATENT DOCUMENTS

D780,532 S * 3/2017 Seiders B65D 1/165
D7/608
D787,888 S * 5/2017 Joseph B65D 1/165
D7/510
D806,568 S * 1/2018 Chen D9/504
D821,150 S * 6/2018 Liao D7/510
D823,062 S * 7/2018 Goodwin D7/511
D832,650 S * 11/2018 Diebel D7/511
D844,435 S * 4/2019 Deylamian D9/503
D844,438 S * 4/2019 Deylamian D9/503
D844,439 S * 4/2019 Deylamian D9/503
D869,279 S * 12/2019 Stoneberg D9/516
D886,541 S * 6/2020 Burns D9/504
D891,873 S * 8/2020 Burns D7/603
D899,172 S * 10/2020 Burns D7/316
D899,173 S * 10/2020 Burns D7/598
2006/0000841 A1 * 1/2006 Smay B65D 1/165
220/735

* cited by examiner

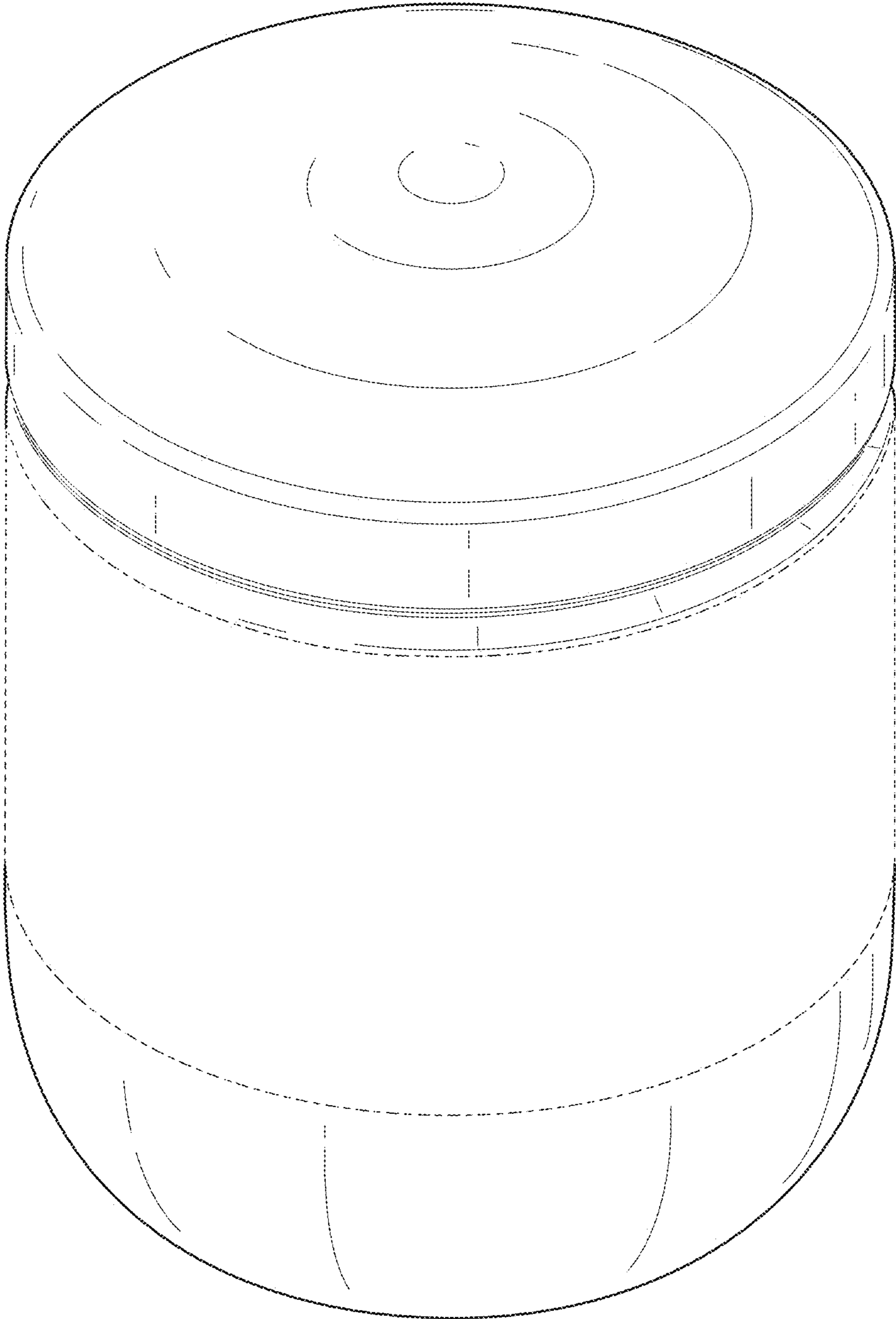


FIG. 1

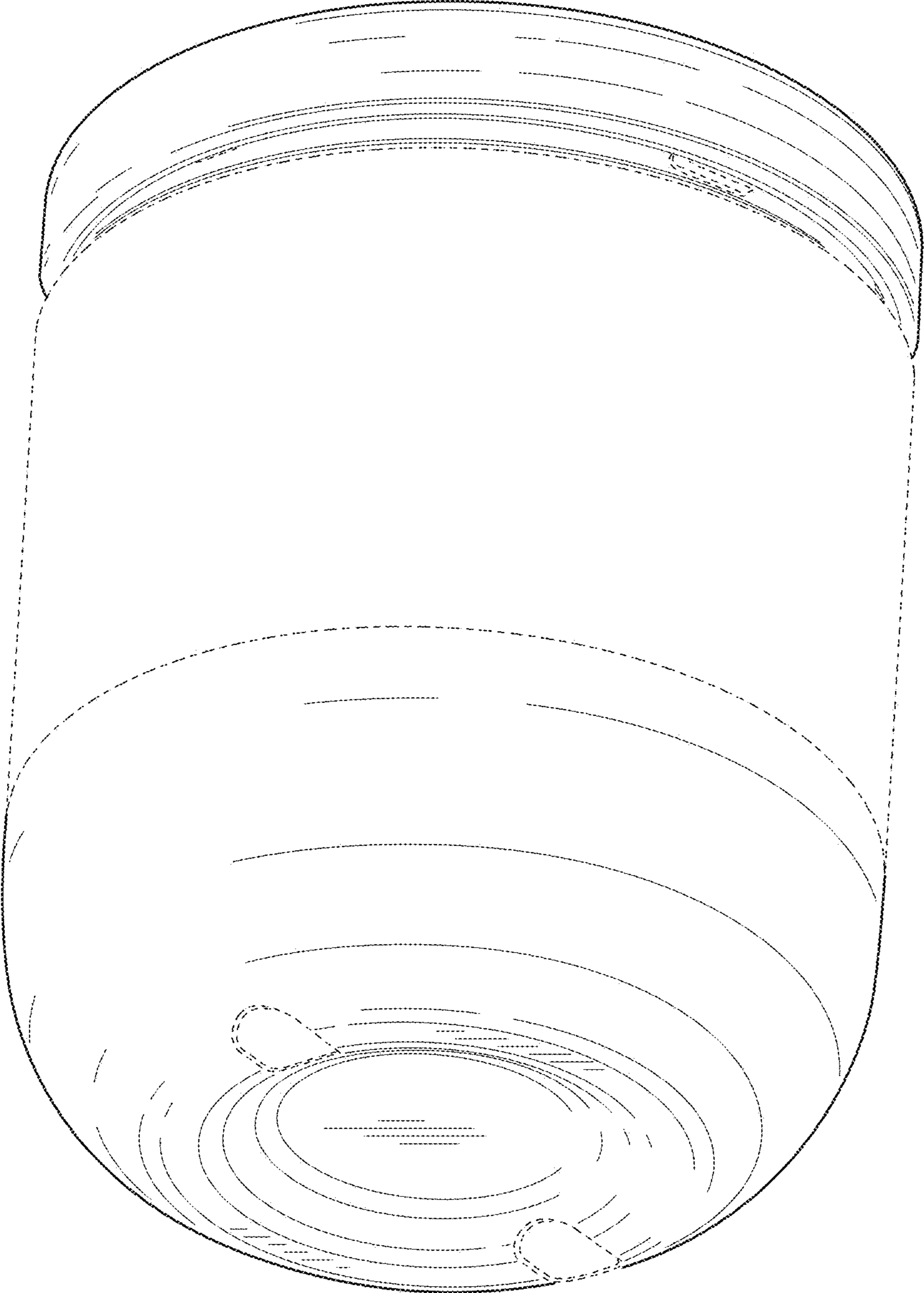


FIG. 2

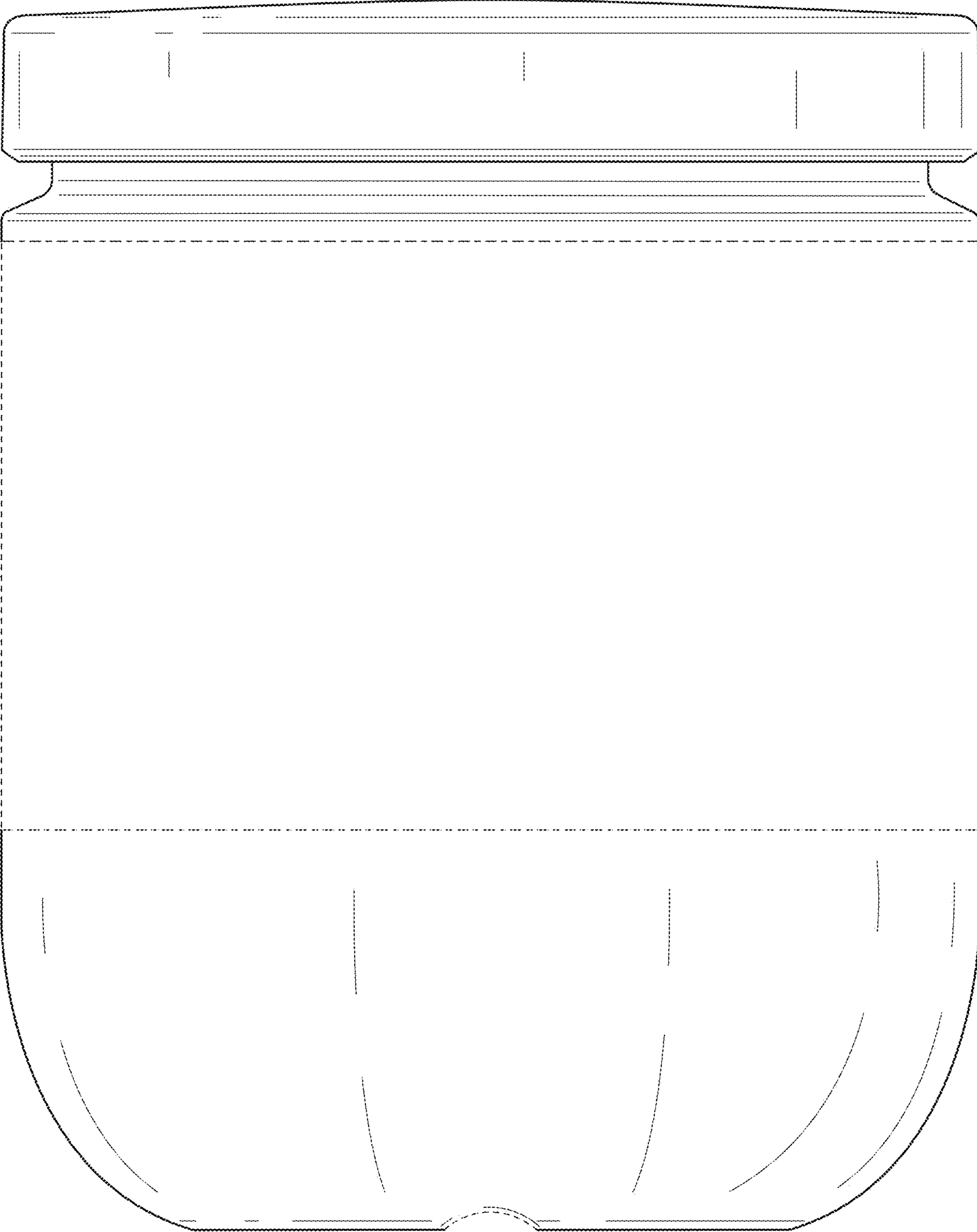


FIG. 3

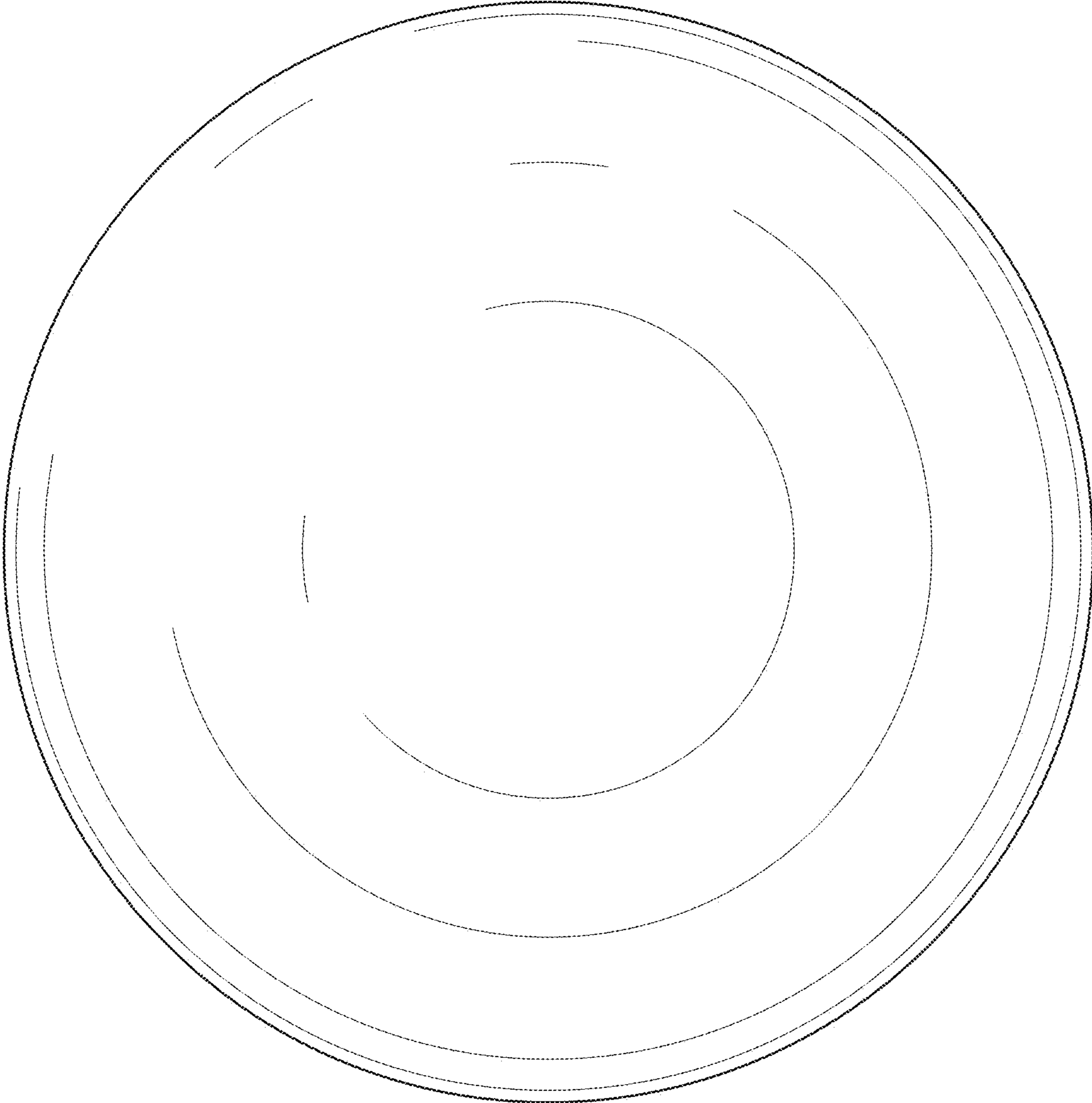


FIG. 4

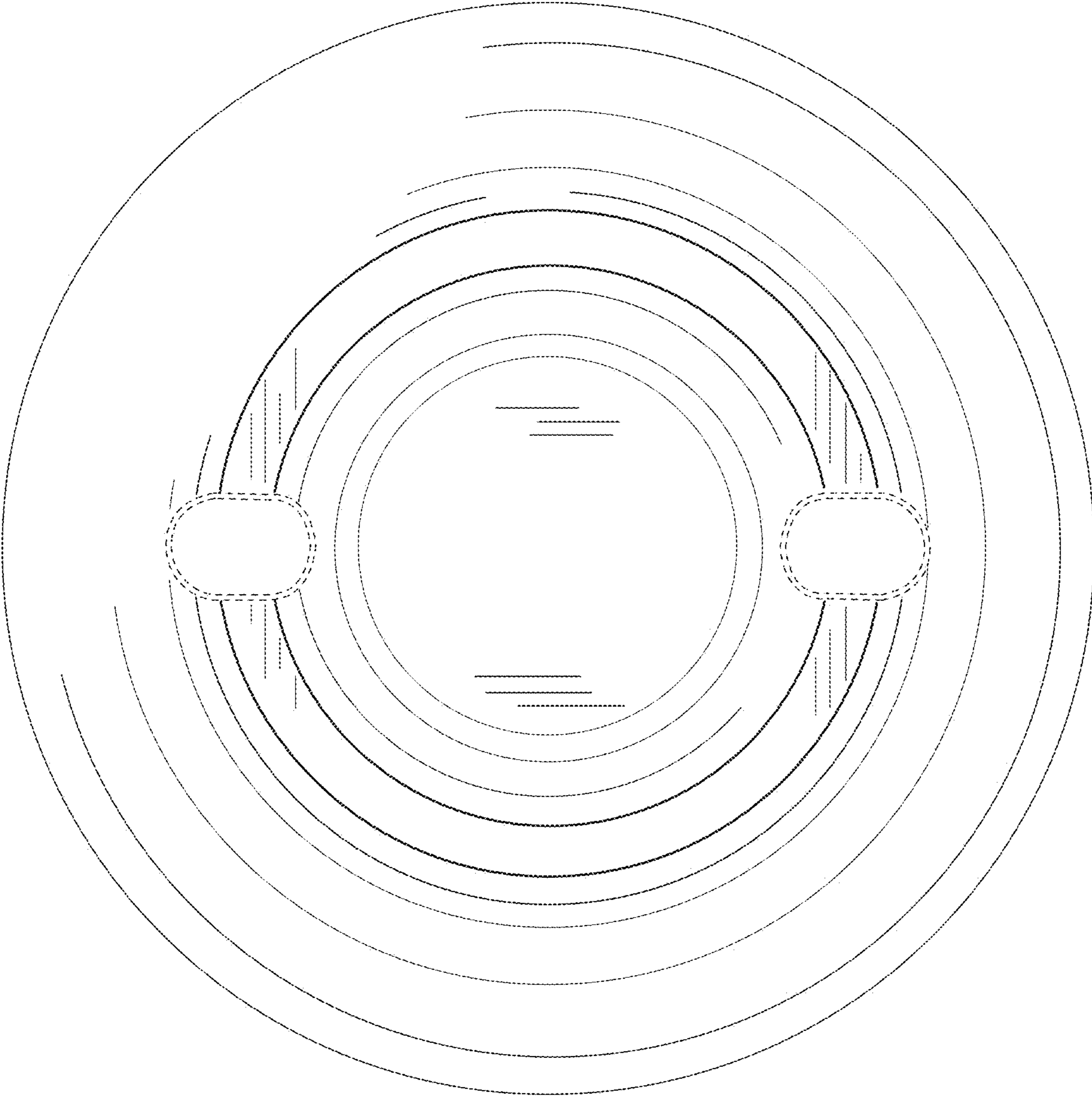


FIG. 5

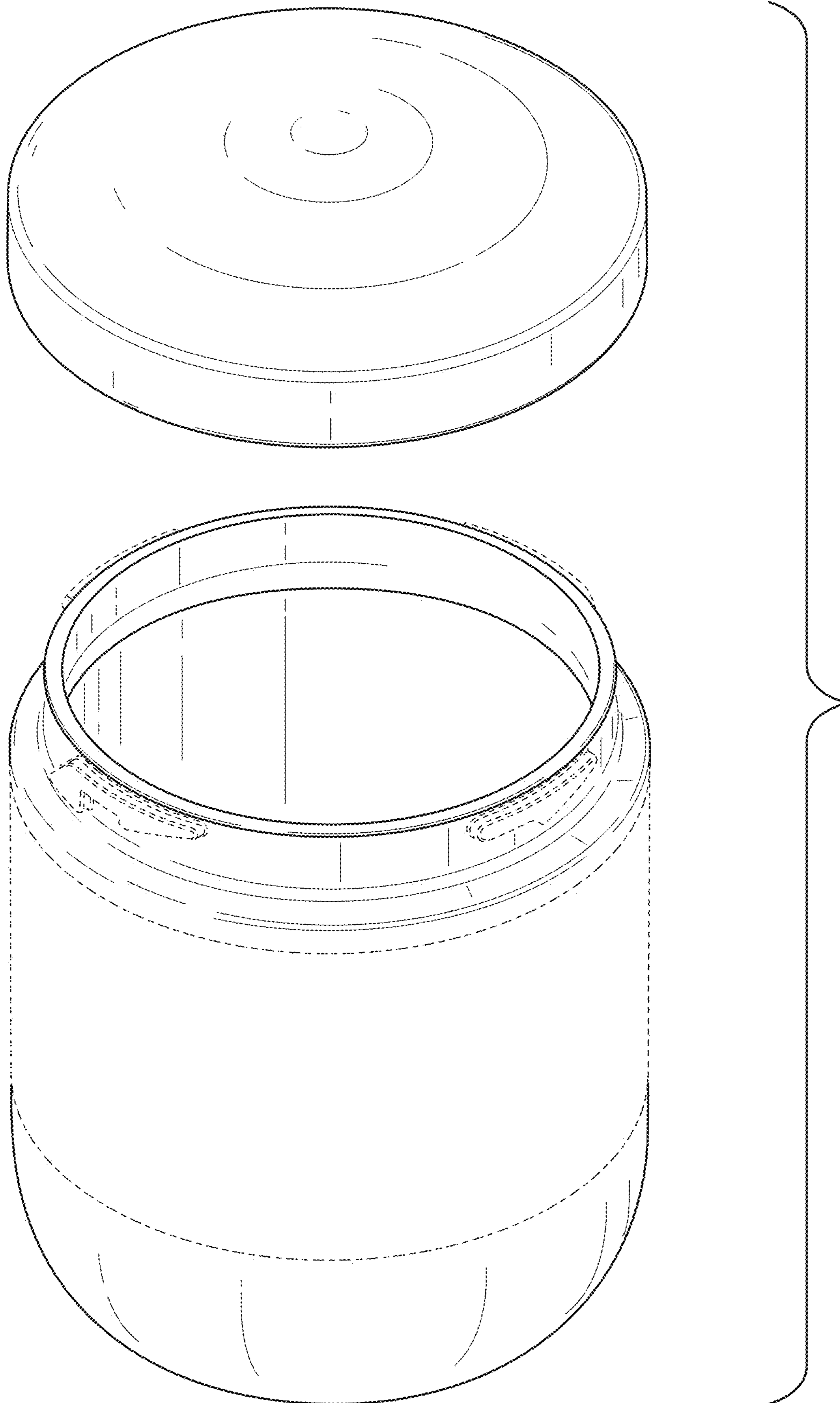


FIG. 6

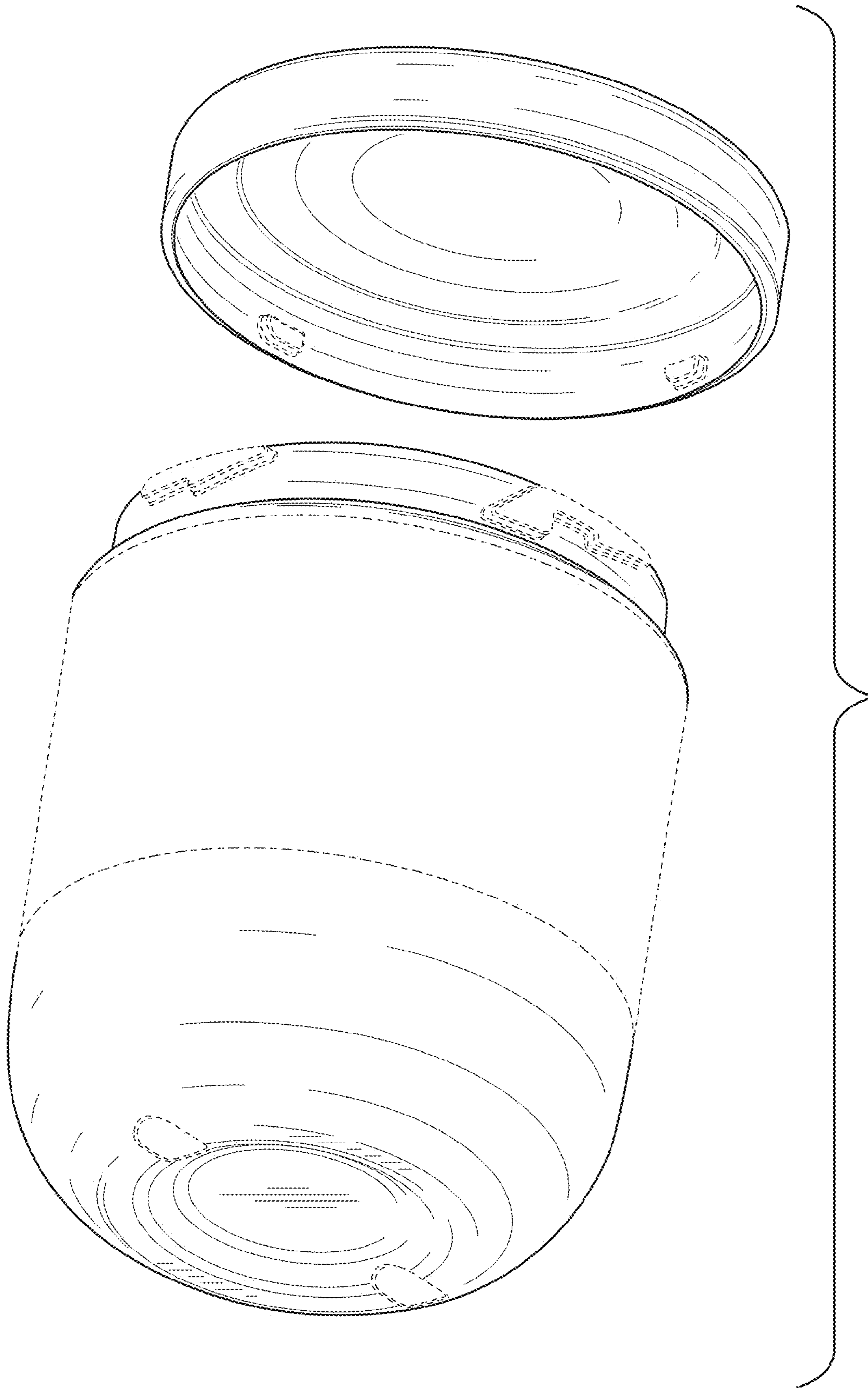


FIG. 7

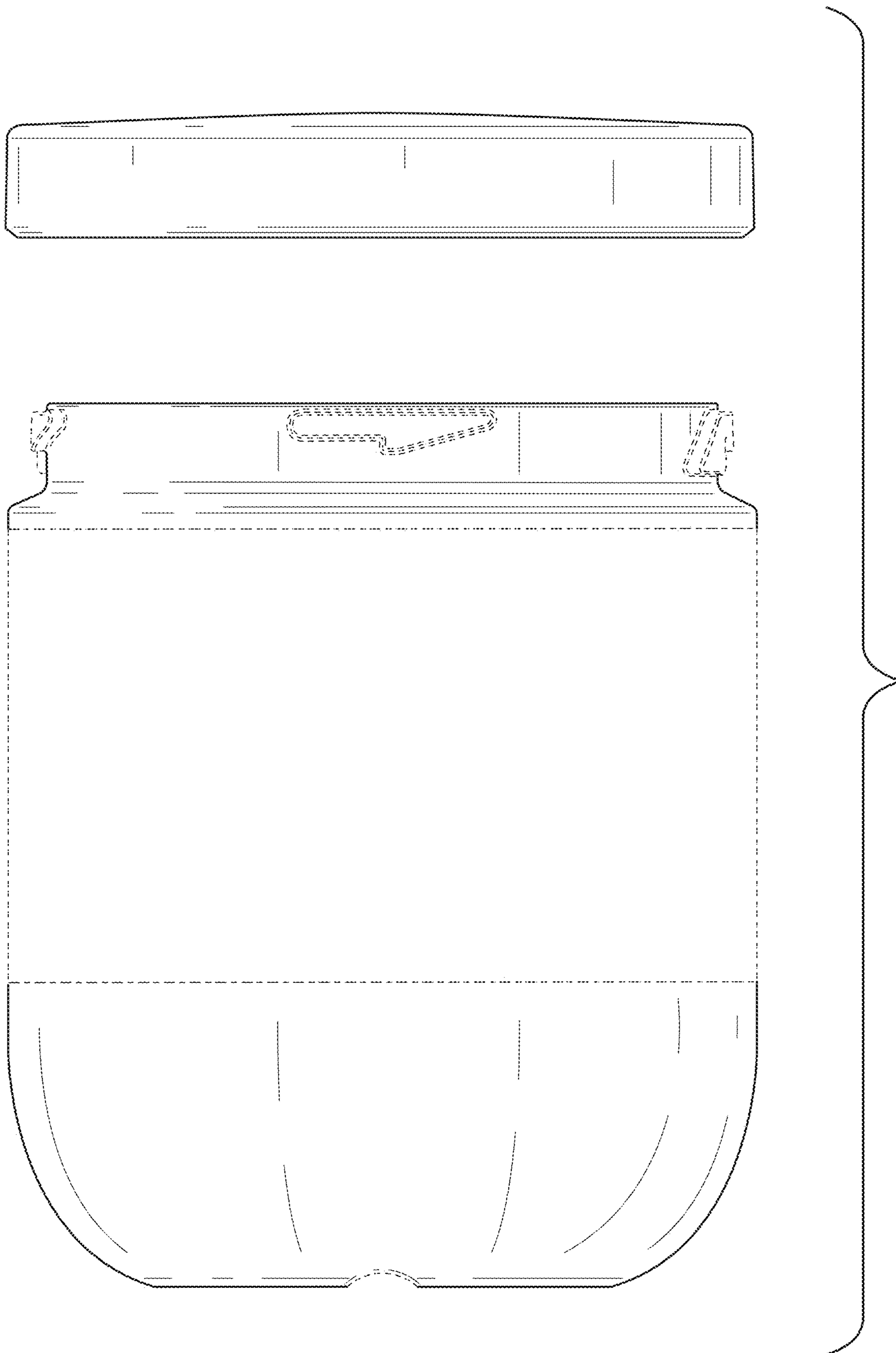


FIG. 8

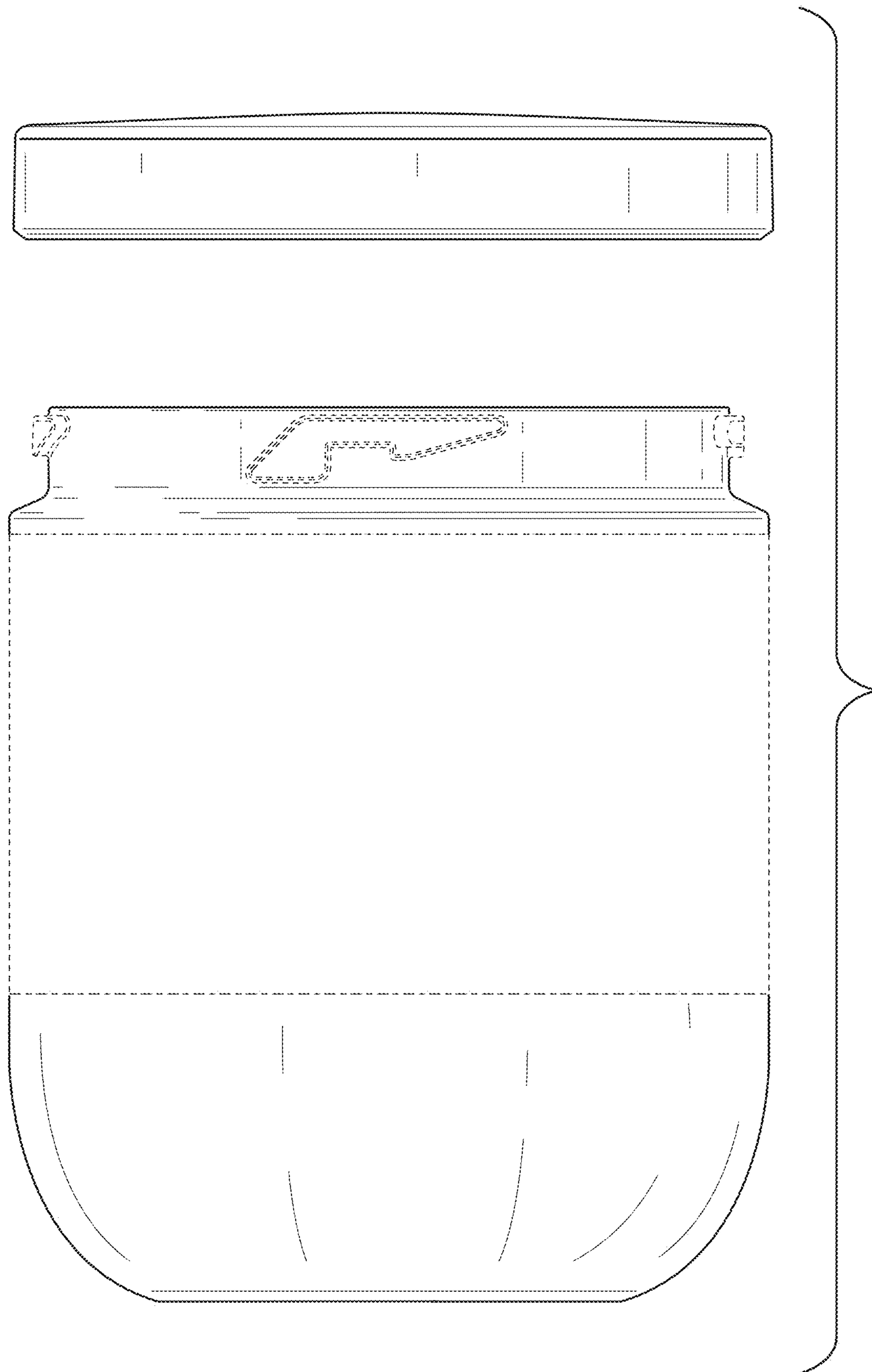


FIG. 9

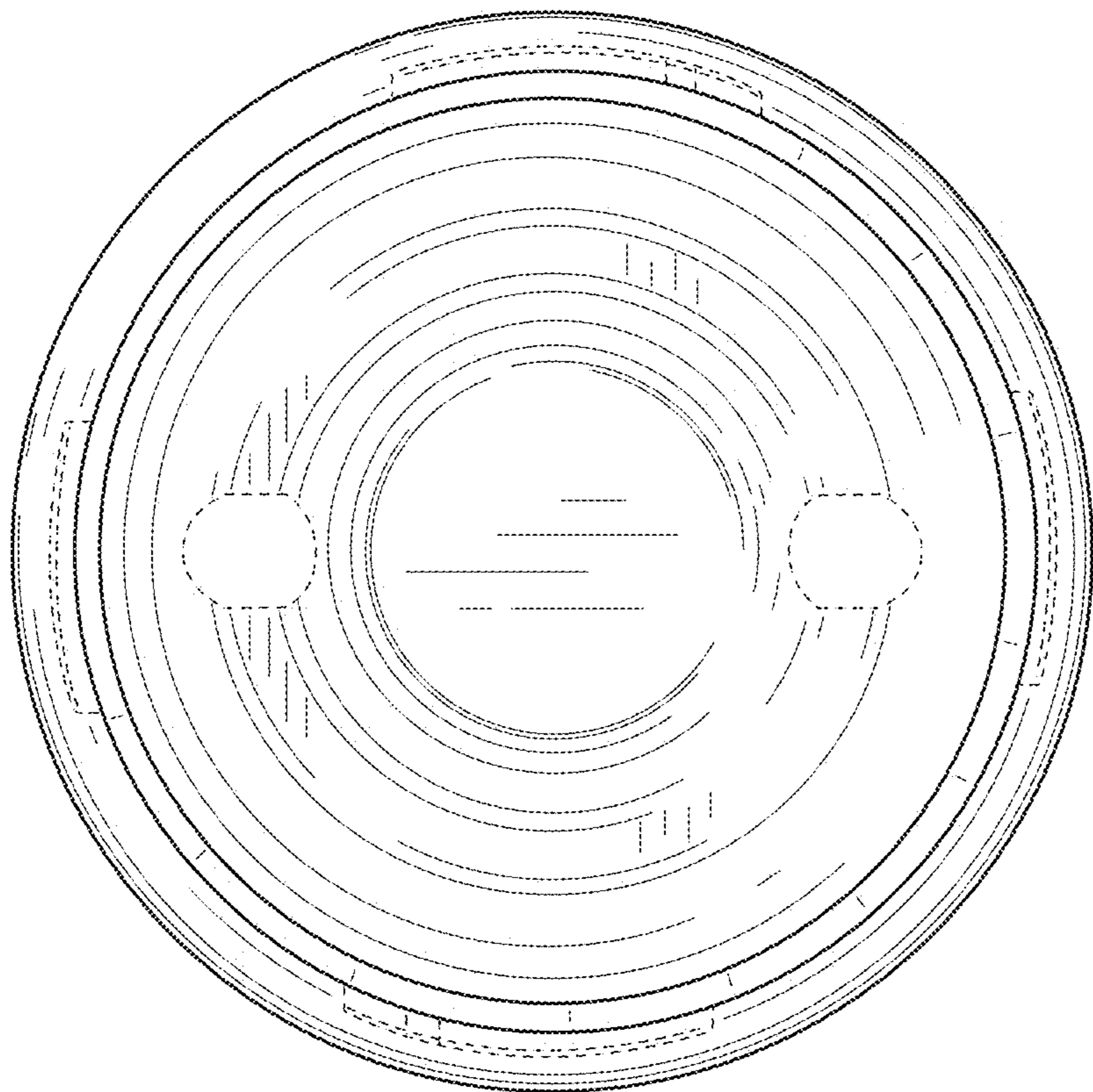
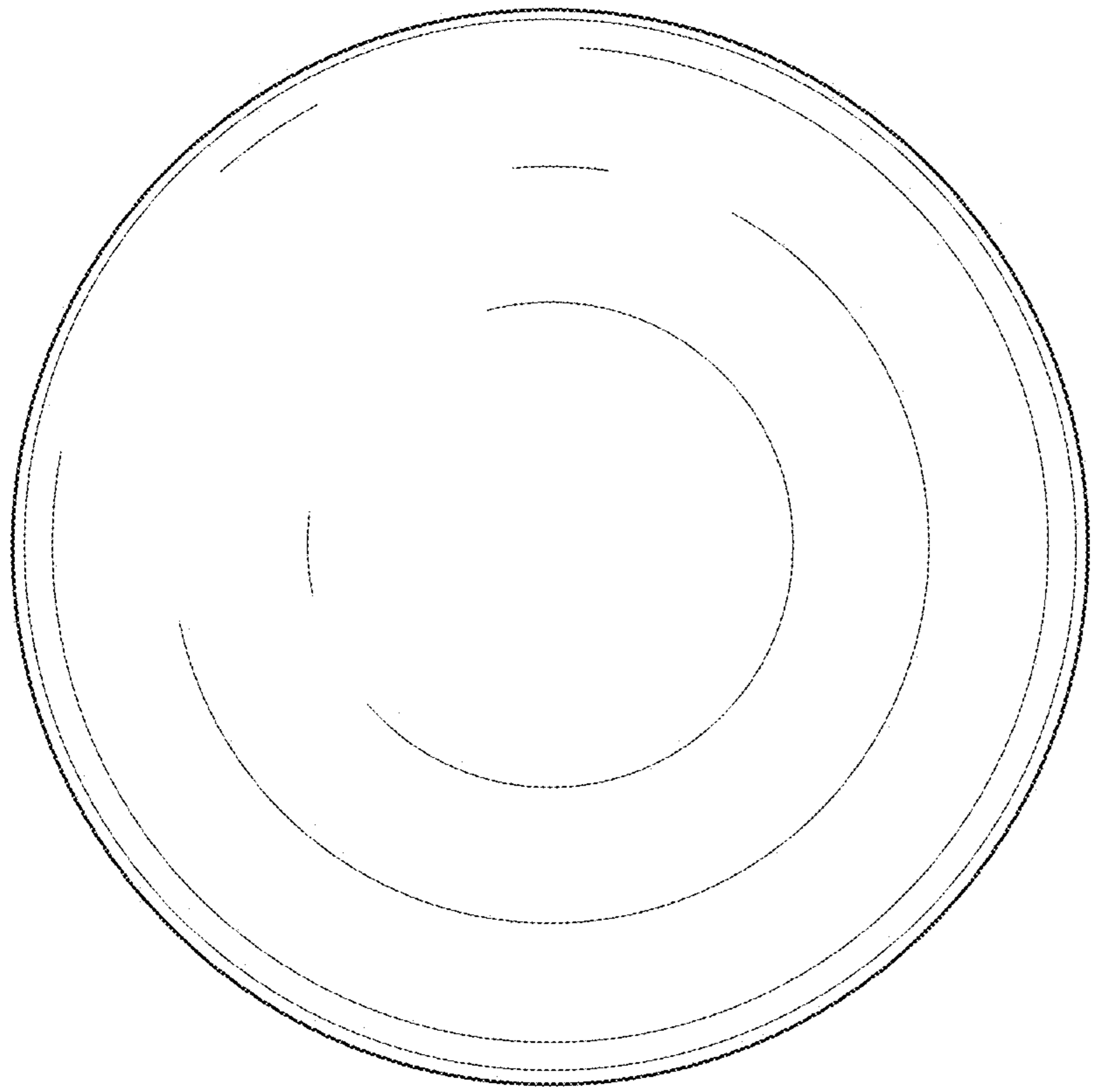


FIG. 10

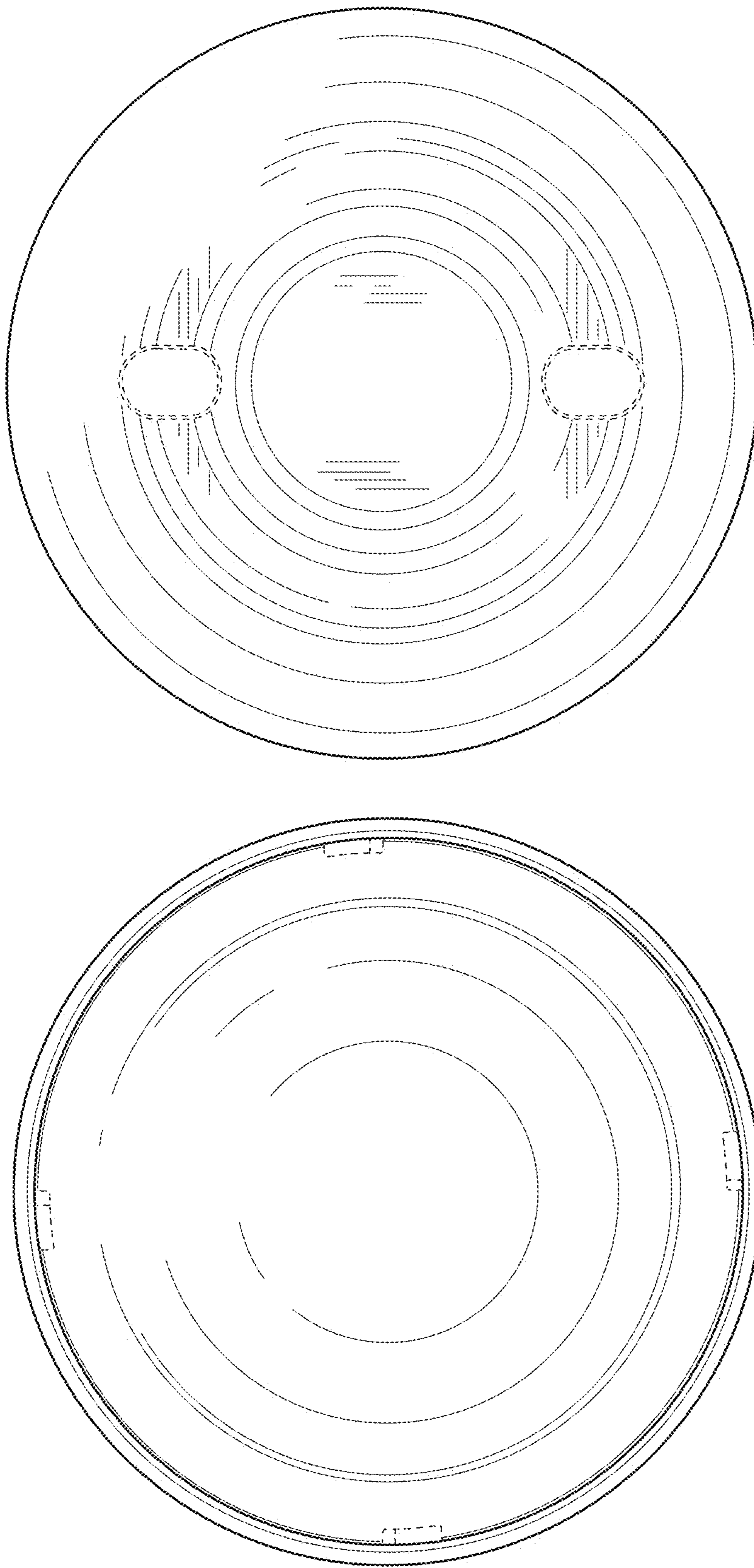


FIG. 11