



US00D920790S

(12) **United States Design Patent**
Neputy

(10) **Patent No.:** **US D920,790 S**

(45) **Date of Patent:** **** *Jun. 1, 2021**

(54) **RATCHETED CLOSURE**

(71) Applicant: **Silgan White Cap LLC**, Downers Grove, IL (US)

(72) Inventor: **Darren Neputy**, Palos Hills, IL (US)

(73) Assignee: **Silgan White Cap LLC**, Downers Grove, IL (US)

(*) Notice: This patent is subject to a terminal disclaimer.

(**) Term: **15 Years**

(21) Appl. No.: **29/664,292**

(22) Filed: **Sep. 24, 2018**

(51) **LOC (13) Cl.** **09-07**

(52) **U.S. Cl.**
USPC **D9/453**

(58) **Field of Classification Search**

USPC D3/202, 203.1, 203.2, 273, 294, 318;
D7/300, 300.1, 316, 317, 387, 391, 392.1,
D7/393, 396.2, 509, 510, 511, 523,
D7/525-531, 538, 541, 549, 629, 703,
D7/900; D8/349, 350, 352; D9/434-443,
D9/446, 447, 448, 449, 450, 452, 453,
D9/454, 502, 503, 504, 516, 517, 529;
D24/121, 127, 199, 224; D28/7, 76, 78,
D28/82, 85, 91; D26/36, 123, 124;
D35/1, 7, 10, 11, 39; 206/216, 219, 541,
206/22, 221, 220; 215/306, 305, 228,
215/200; 220/212.5, 200; 222/81, 83,
222/556, 533, 530, 519, 205, 192, 158,
222/153.01
CPC B65D 50/041; B65D 23/00; B65D 1/00;
B65D 1/02; B65D 1/0223; B65D
2501/00; B65D 2501/0009; B65D 83/06;
B65D 41/32; B65D 41/48; B65D 77/10;
B65D 77/20; B65D 2577/205; B65D
2251/0015; B65D 2251/0093

See application file for complete search history.

(56) **References Cited**

U.S. PATENT DOCUMENTS

829,341	A *	8/1906	Kirkegaard	B65D 51/243 215/305
1,096,613	A *	5/1914	Ernst et al.	B65D 51/243 215/304
2,433,629	A *	12/1947	Shannon	B65D 51/243 215/305
5,190,178	A *	3/1993	Luch	B65D 1/023 215/256
5,213,224	A *	5/1993	Luch	B65D 1/023 215/256
D358,769	S *	5/1995	Luch	D9/438
D359,685	S *	6/1995	Luch	D9/438
5,593,055	A *	1/1997	Repp	B65D 1/023 215/256

(Continued)

Primary Examiner — Catherine S Posthauer

(74) *Attorney, Agent, or Firm* — Reinhart Boerner Van Deuren s.c.

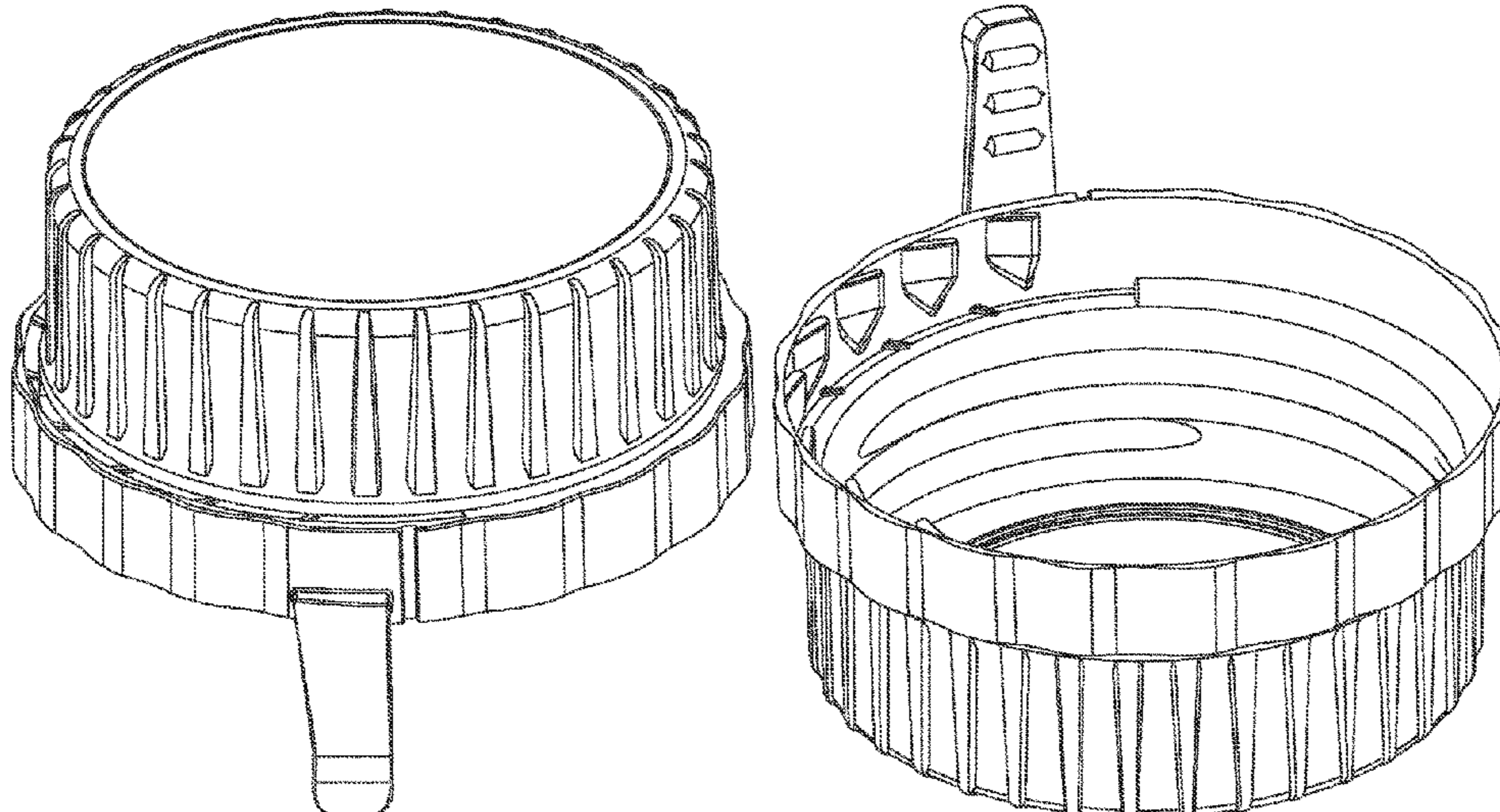
(57) **CLAIM**

I claim the ornamental design for a ratcheted closure, as shown and described.

DESCRIPTION

FIG. 1 is a front top perspective view of a ratcheted closure showing my new design;
FIG. 2 is a rear top perspective view of FIG. 1;
FIG. 3 is a rear bottom perspective view of FIG. 1;
FIG. 4 is a front bottom perspective view of FIG. 1;
FIG. 5 is a top view of FIG. 1;
FIG. 6 is a bottom view of FIG. 1;
FIG. 7 is a front view of FIG. 1;
FIG. 8 is a rear view of FIG. 1;
FIG. 9 is a right side view of FIG. 1; and,
FIG. 10 is a left side view of FIG. 1.

1 Claim, 5 Drawing Sheets



(56)

References Cited

U.S. PATENT DOCUMENTS

5,630,520 A * 5/1997 Luch B65D 1/023
215/256
6,082,567 A * 7/2000 Bietzer B65D 41/485
215/256
7,007,816 B2 * 3/2006 Verderber B65D 41/185
215/254
D542,656 S * 5/2007 Szczesniak D9/452
D633,386 S * 3/2011 Taber D9/453
2002/0195415 A1 * 12/2002 Kim B65D 41/48
215/254
2005/0269282 A1 * 12/2005 Luch B65D 41/17
215/256
2007/0221672 A1 * 9/2007 Kim B65D 41/48
220/270
2011/0290755 A1 * 12/2011 Taber B65D 41/0485
215/329

* cited by examiner

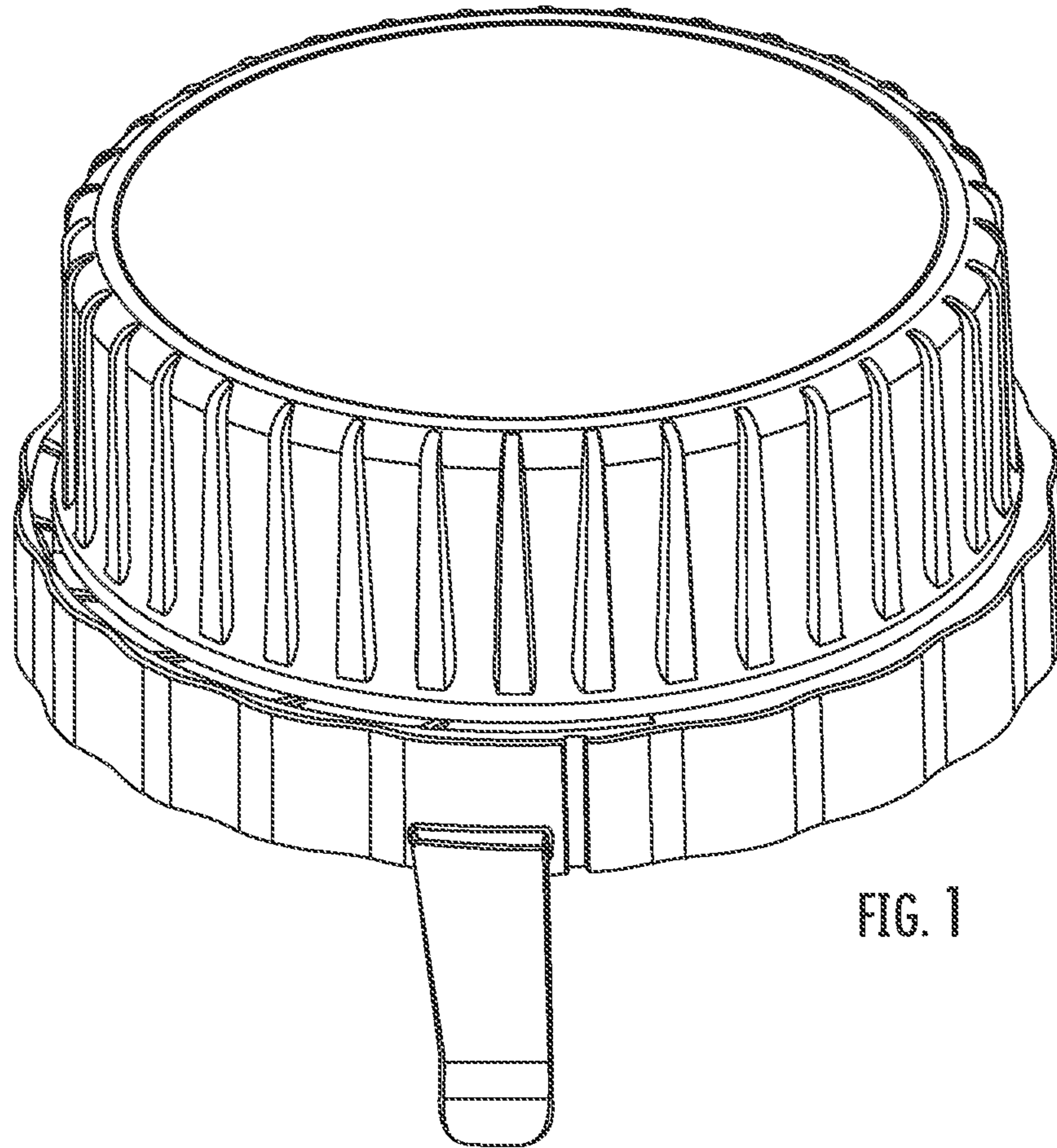


FIG. 1

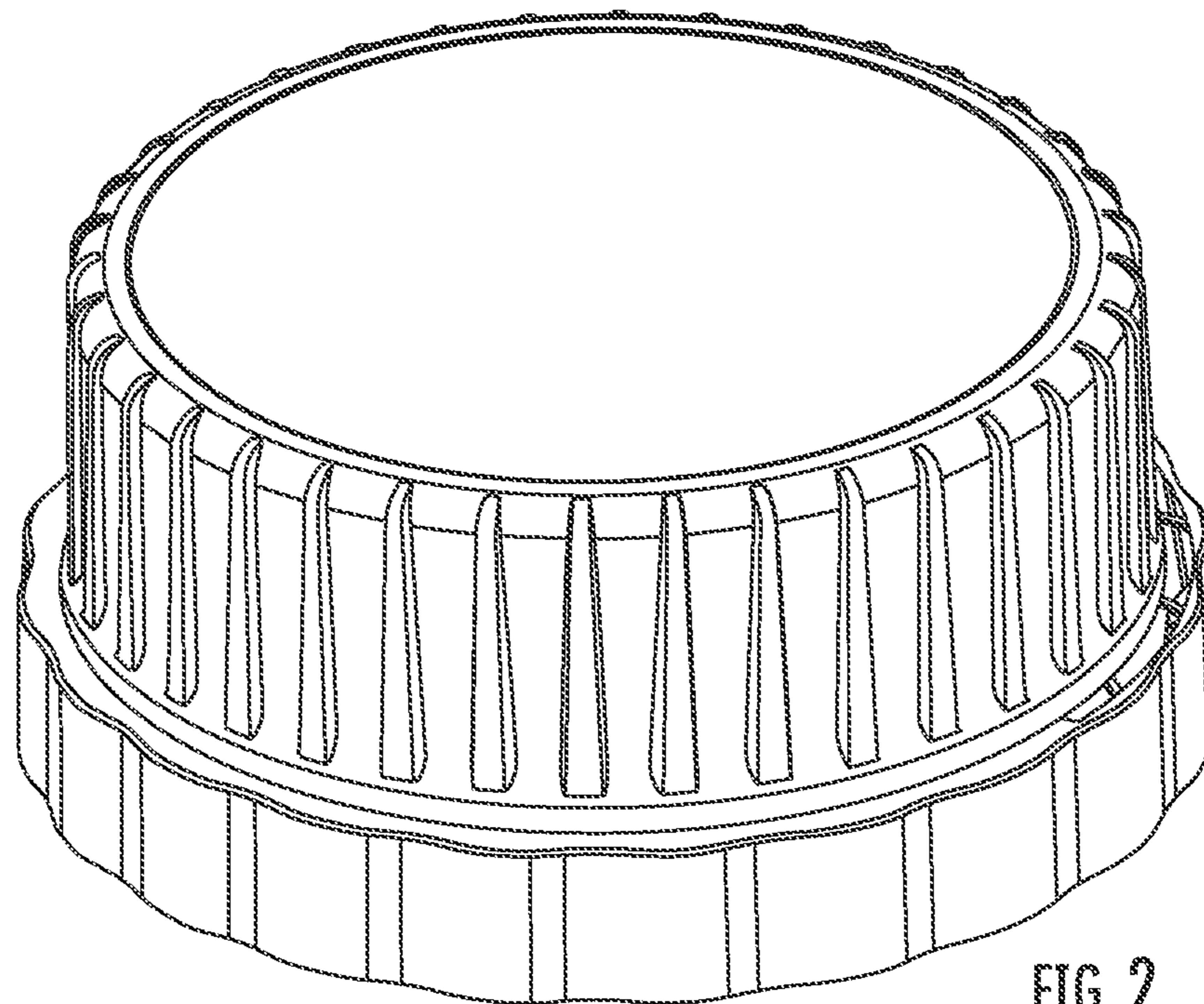


FIG. 2

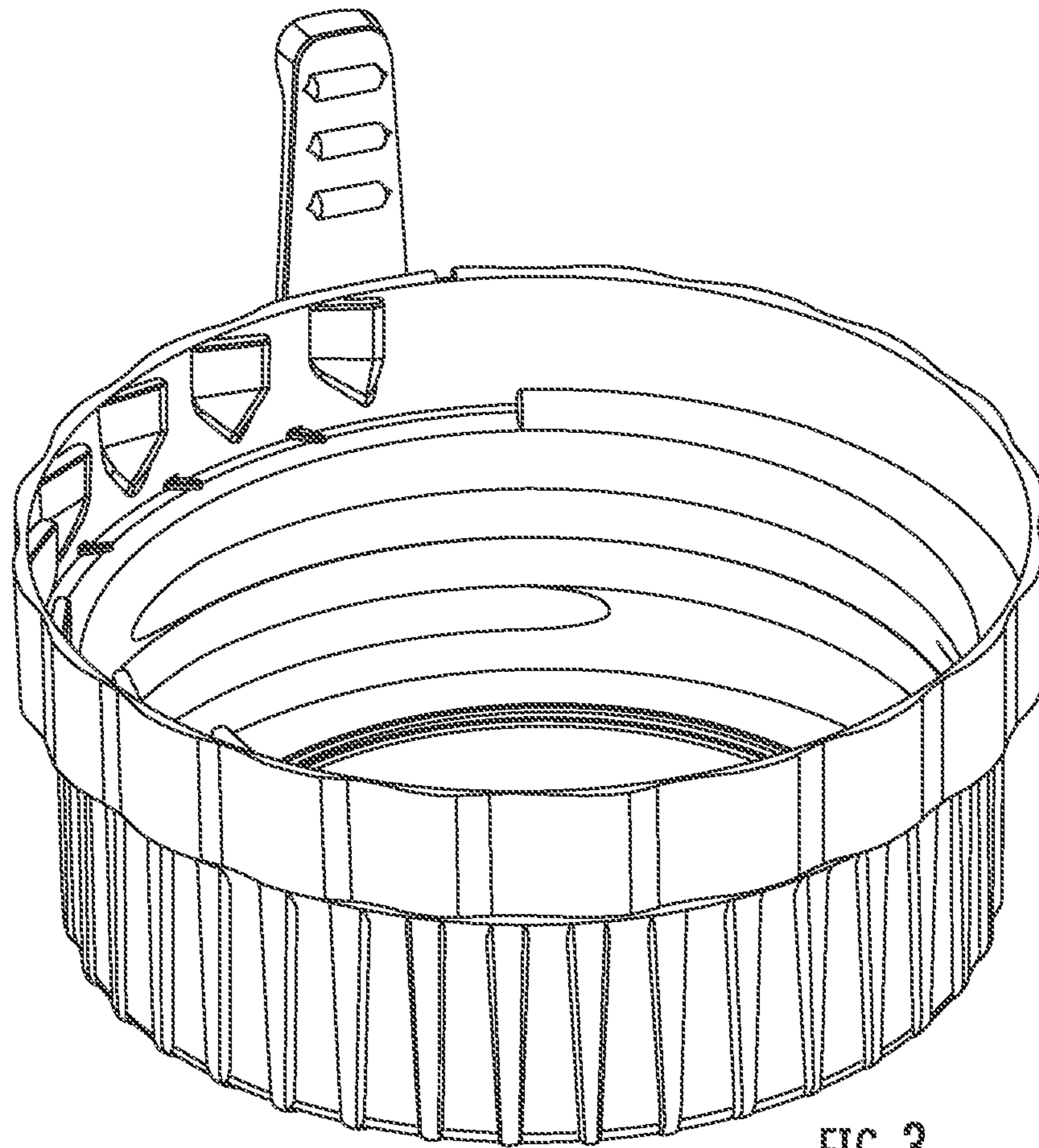


FIG. 3

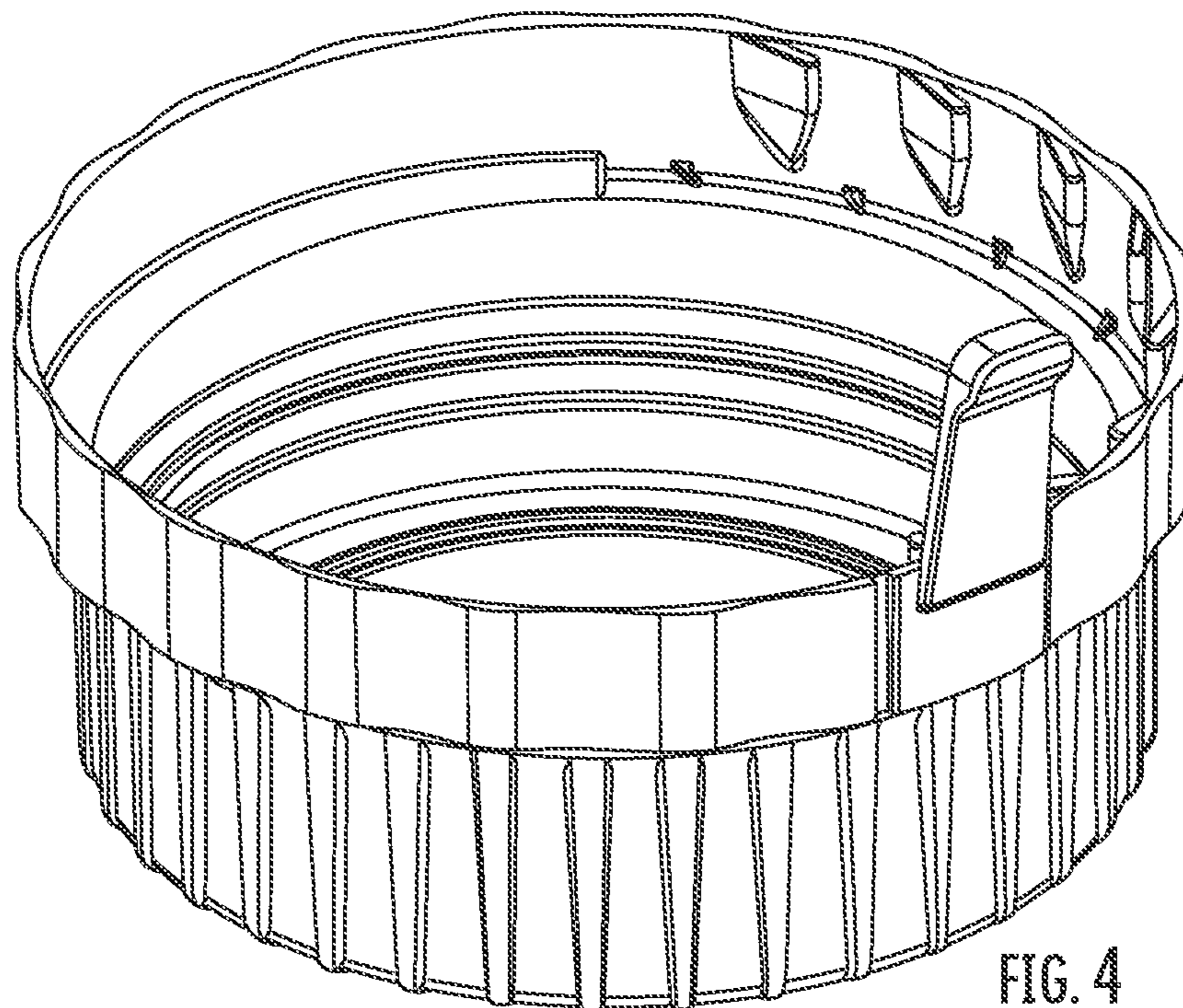


FIG. 4

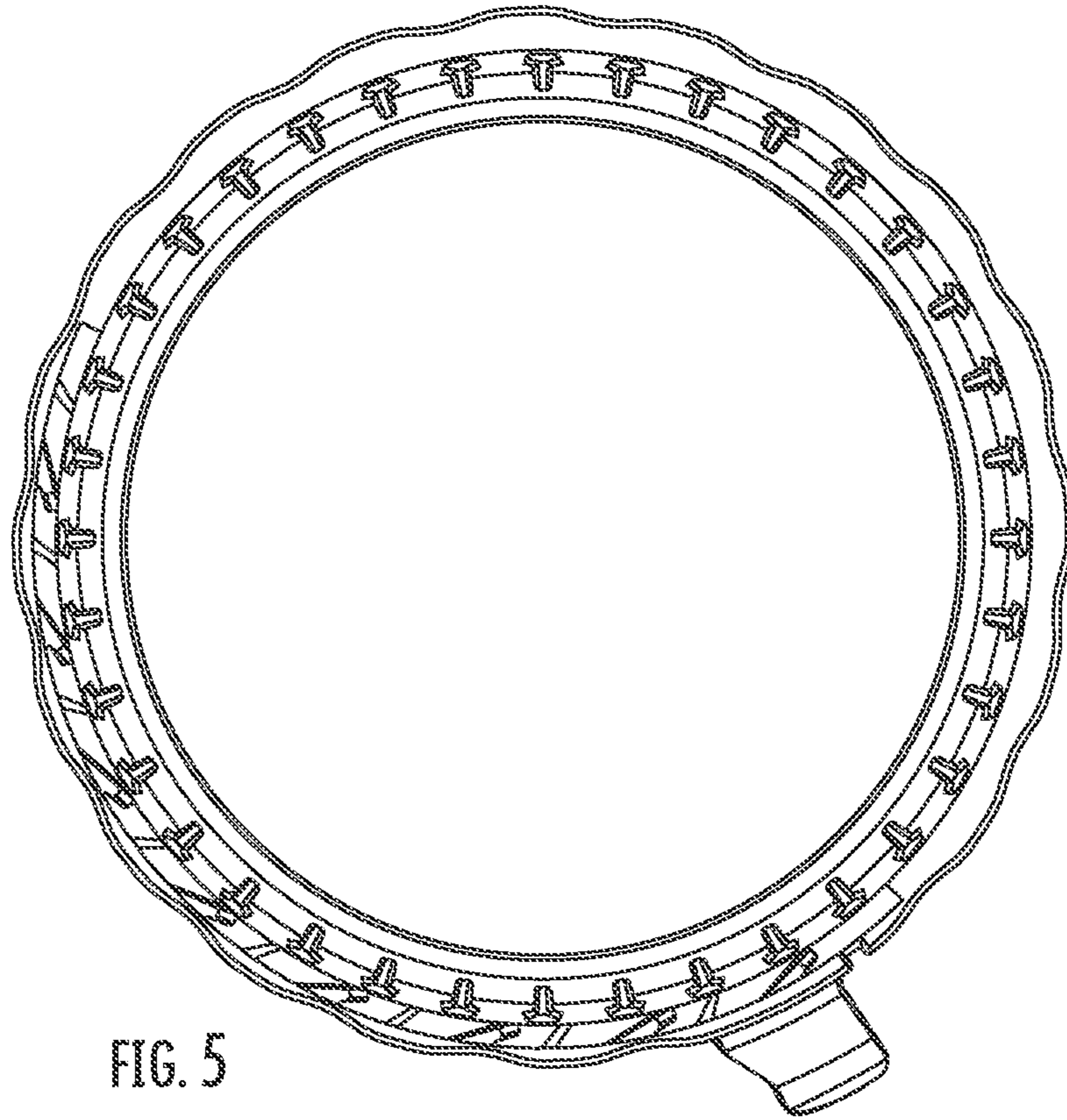


FIG. 5

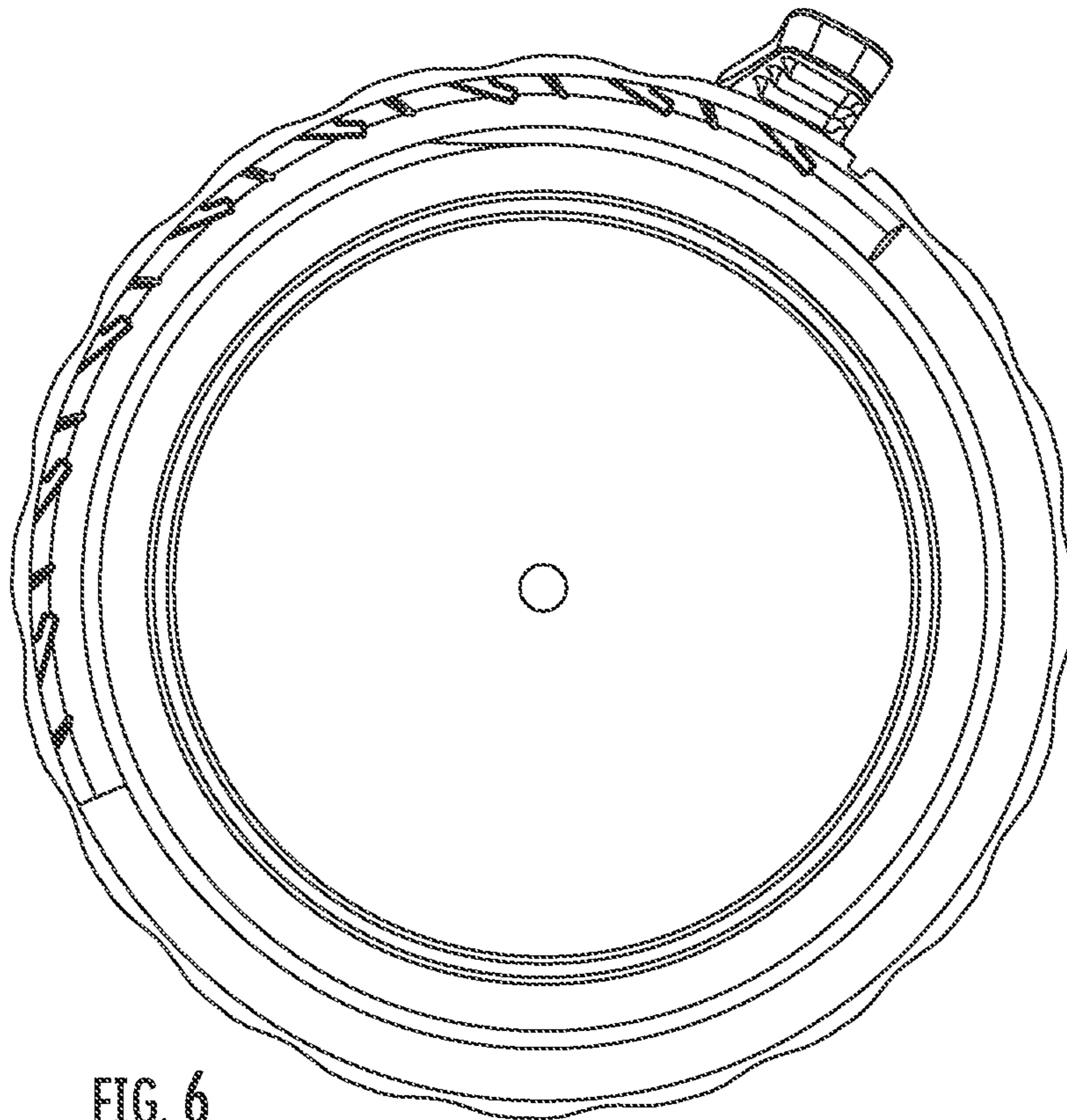


FIG. 6

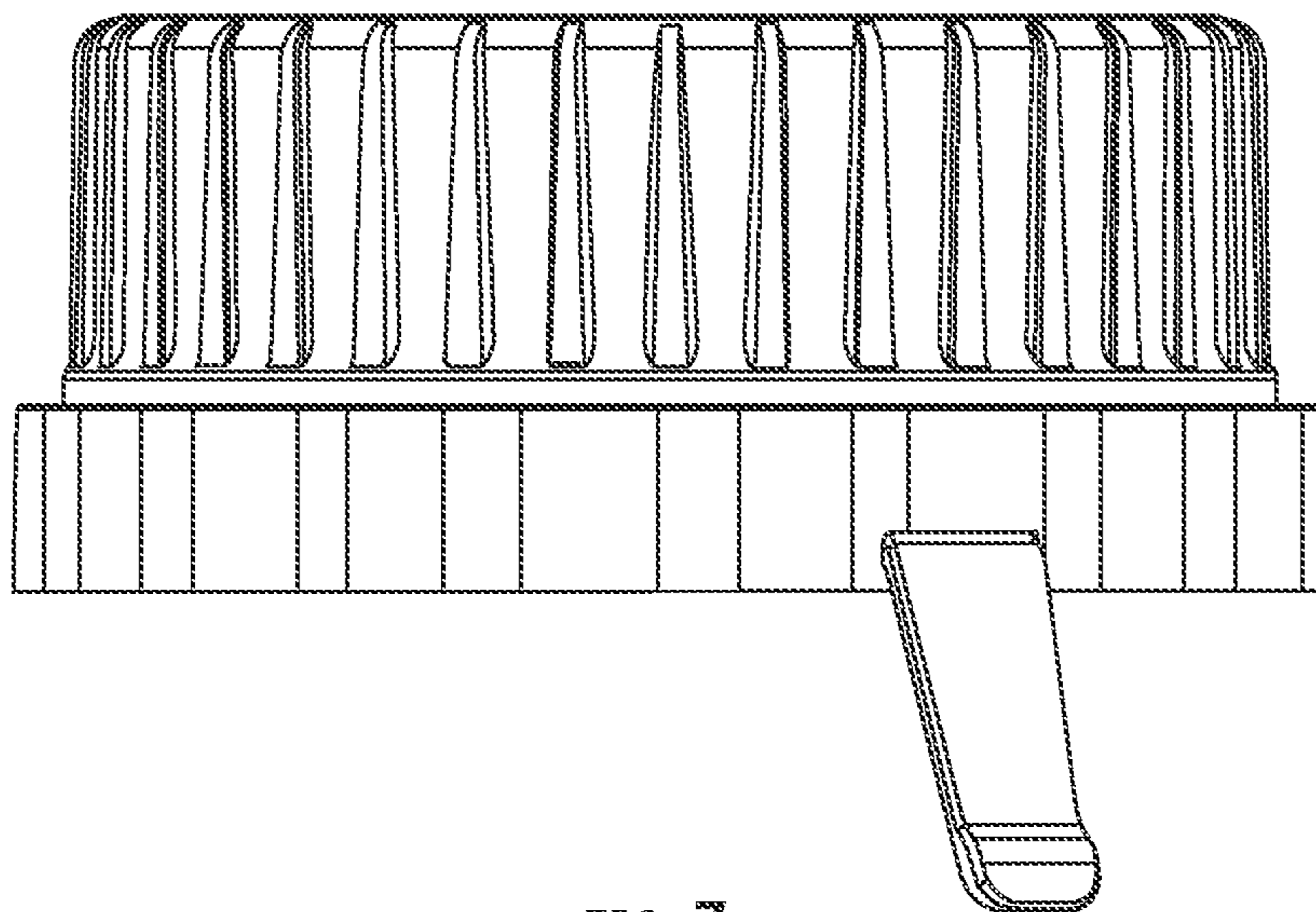


FIG. 7

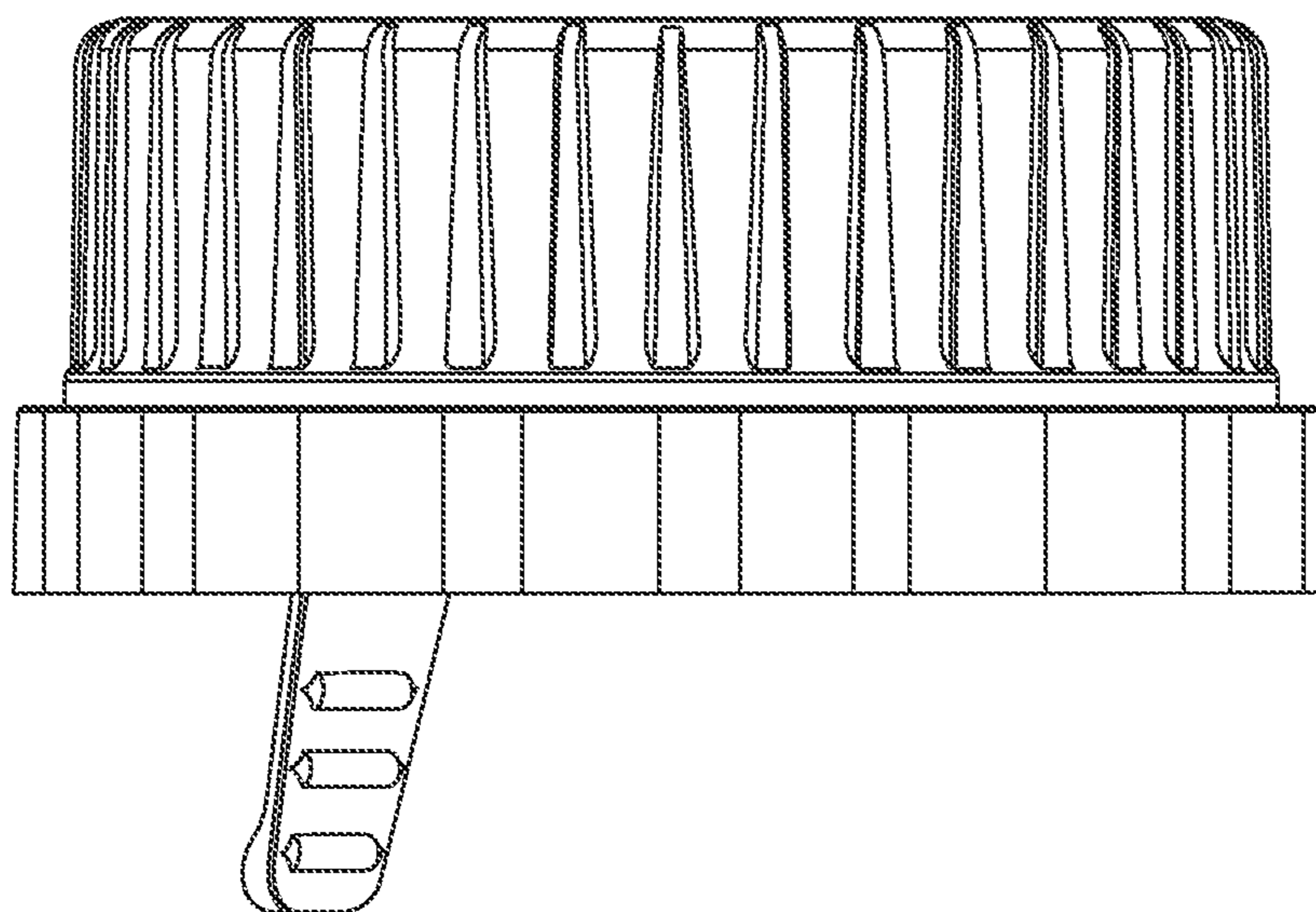


FIG. 8

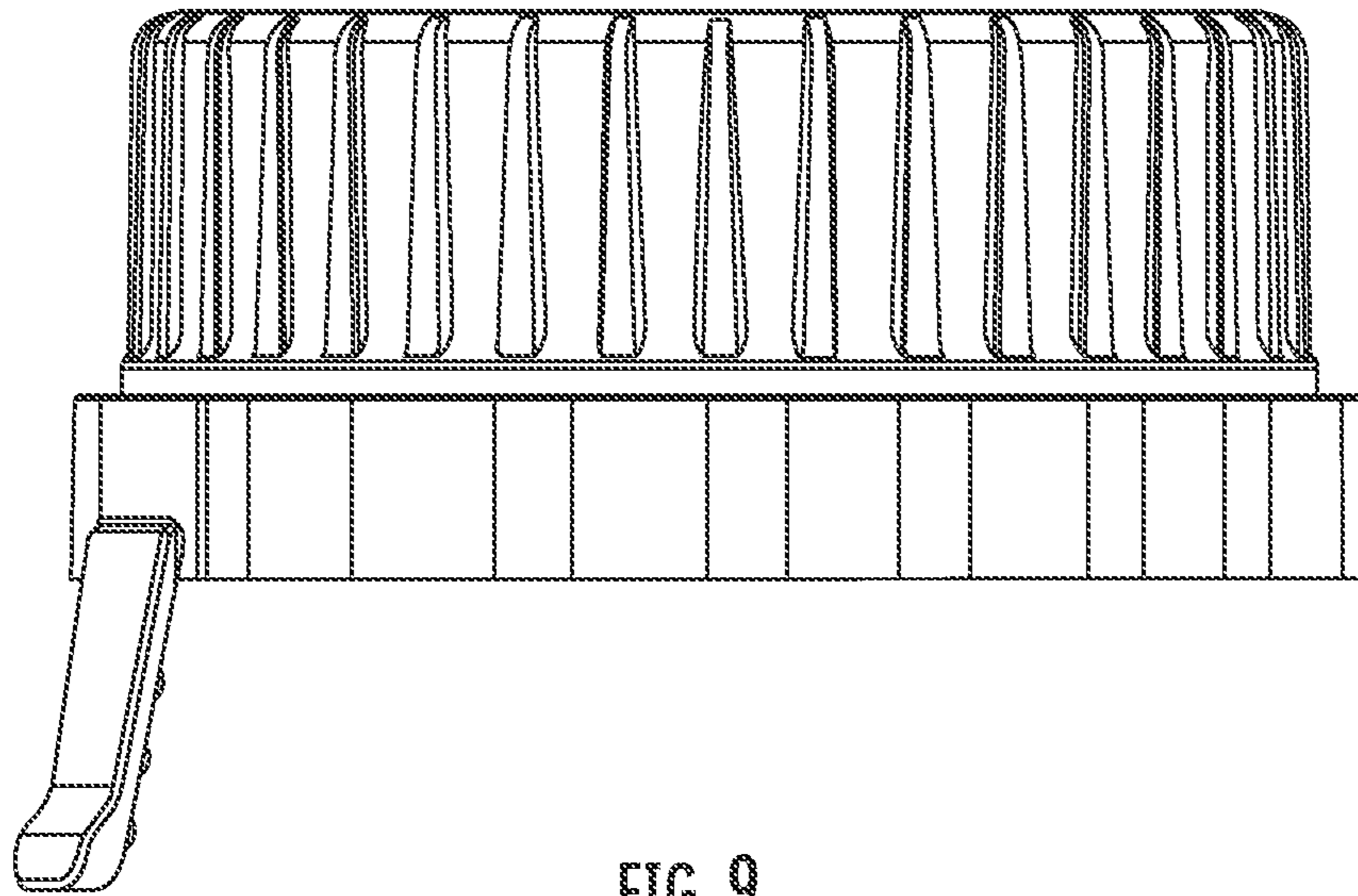


FIG. 9

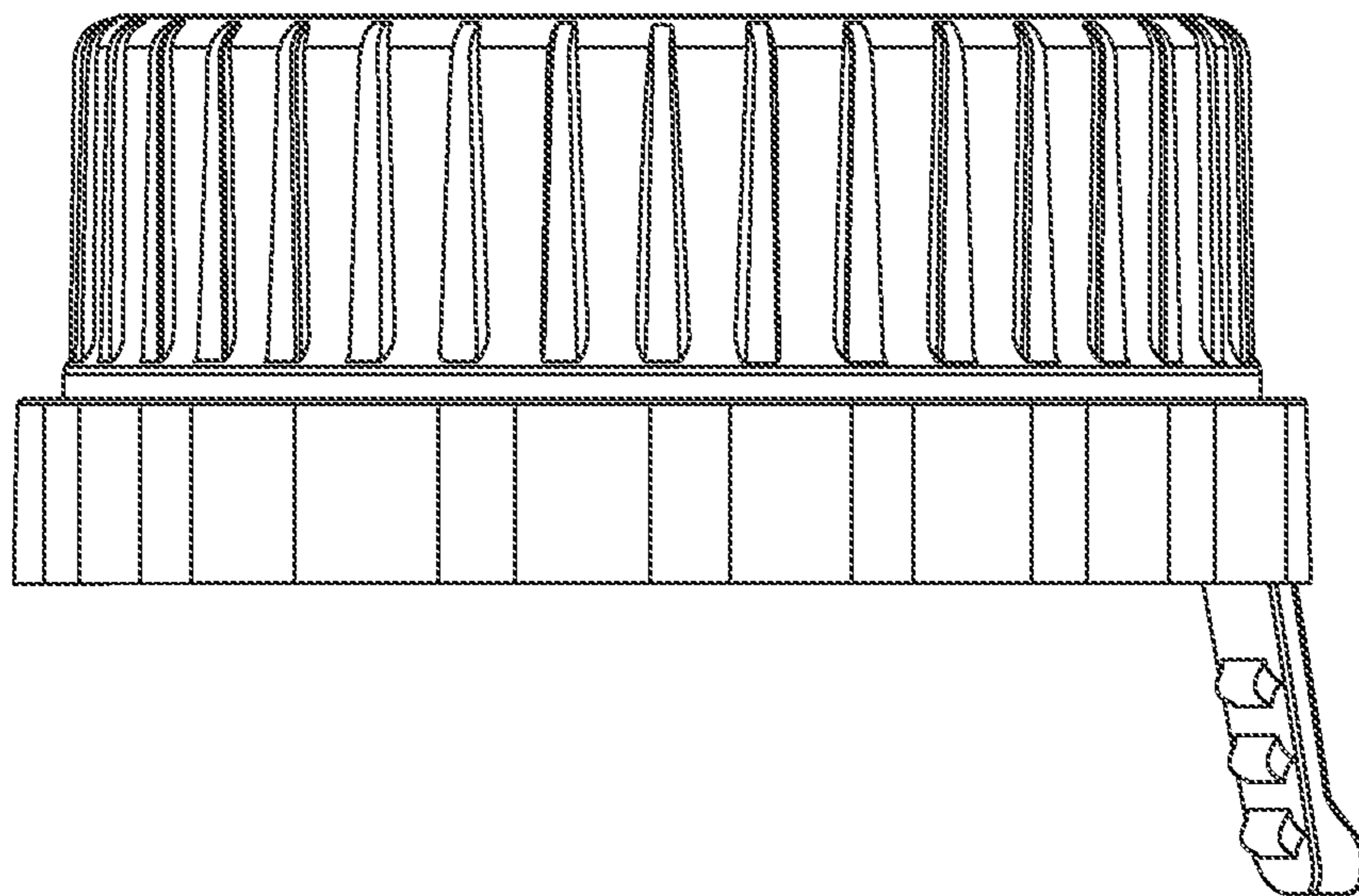


FIG. 10