



US00D920789S

(12) **United States Design Patent** (10) **Patent No.:** **US D920,789 S**
Evans (45) **Date of Patent:** **** Jun. 1, 2021**

(54) **SCREW-CAP CLOSURE**
(71) Applicant: **Midwest Can Company, LLC,**
Franklin Park, IL (US)
(72) Inventor: **John C. Evans,** Elmhurst, IL (US)
(73) Assignee: **Midwest Can Company, LLC,**
Franklin Park, IL (US)

D870,509 S * 12/2019 Bo D7/392.1
D881,639 S * 4/2020 Backs D7/392.1
D881,640 S * 4/2020 Nichols D7/392.1
D894,670 S * 9/2020 Adams, Jr. D7/392.1
D895,352 S * 9/2020 Yao D7/392.1
D896,077 S * 9/2020 Matusek D9/440
D896,572 S * 9/2020 Nichols D7/392.1
D903,408 S * 12/2020 Massucco D7/392.1

(Continued)

(**) Term: **15 Years**

OTHER PUBLICATIONS

(21) Appl. No.: **29/711,980**

Replacement Spout Cap: Announced Jul. 1, 2018 [online]. Site Visited [Dec. 31, 2020], Available from Internet URL: https://www.amazon.com/Replacement-Yellow-Venting-Aftermarket-Included/dp/B074RNG1JB/ref=cm_cr_ar_p_d_product_top?ie=UTF8.*

(22) Filed: **Nov. 4, 2019**

(51) **LOC (13) Cl.** **09-07**

(52) **U.S. Cl.**
USPC **D9/447**

Primary Examiner — Catherine S Posthauer
(74) *Attorney, Agent, or Firm* — Banner & Witcoff, Ltd.

(58) **Field of Classification Search**
USPC D7/509, 510, 511, 624.1, 387, 391, 392, D7/392.1, 393, 396.1, 396.2; D9/434, D9/435, 439, 445, 447, 451, 454, 438, D9/440, 443, 452, 453, 686, 723, 724, D9/436; D23/259, 260, 261, 209, 210; D24/162, 127; D12/202, 218, 604–607
CPC B65D 43/265; B65D 17/506; B65D 47/04; B65D 47/06; B65D 47/08; B65D 47/20; B65D 1/00; B65D 1/02; B65D 1/10; B65D 1/46; B65D 2585/56; B65D 2585/545; B65D 41/00; B65D 41/38; B65D 41/56; B65D 41/62; B65D 47/00; B65D 23/00; B65D 51/1694; B65D 43/0212; B65D 43/0208; B65D 2543/00046; B65D 2543/00092; B65D 1/24; B65D 25/04; B65D 43/09; B65D 43/16; A61J 1/00; A61J 1/1412; A61J 1/02

See application file for complete search history.

(56) **References Cited**

U.S. PATENT DOCUMENTS

D758,800 S * 6/2016 Hayslett D7/510
D850,189 S * 6/2019 Burton D7/392

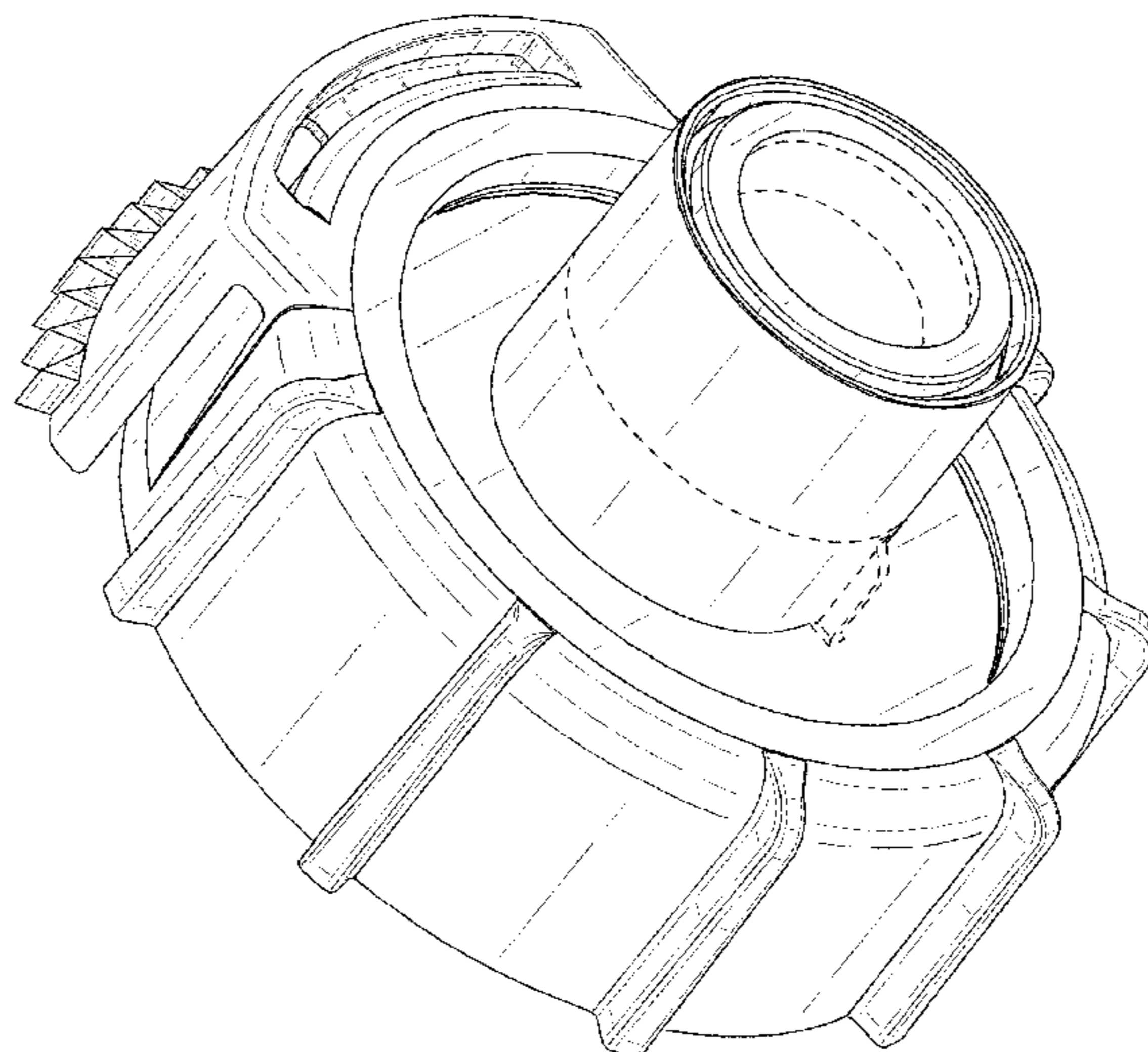
(57) **CLAIM**

The ornamental design for a screw-cap closure, as shown and described.

DESCRIPTION

FIG. 1 is a front perspective view of a screw-cap closure showing my new design in a position of use with an exemplary container;
FIG. 2 is a front view thereof;
FIG. 3 is a rear view thereof;
FIG. 4 is a right side view thereof;
FIG. 5 is a left side view thereof;
FIG. 6 is a top view thereof;
FIG. 7 is a bottom view thereof; and,
FIG. 8 is an enlarged front perspective view of the screw-cap closure as shown in FIG. 1, with the container removed to show aspects of the design not visible when combined.
The broken lines are shown for the purpose of illustrating both parts of the article as well as environmental subject matter of an exemplary container. None of the broken lines form part of the claimed design.

1 Claim, 8 Drawing Sheets



(56)

References Cited

U.S. PATENT DOCUMENTS

2006/0180585 A1* 8/2006 Cunningham A47G 19/2266
220/203.06
2007/0199914 A1* 8/2007 Hung B65D 47/243
215/311
2015/0097007 A1* 4/2015 Garneau B65D 47/2031
222/544
2016/0200486 A1* 7/2016 Meyers B65D 47/06
215/229
2018/0050844 A1* 2/2018 Hirst A47G 21/18

* cited by examiner

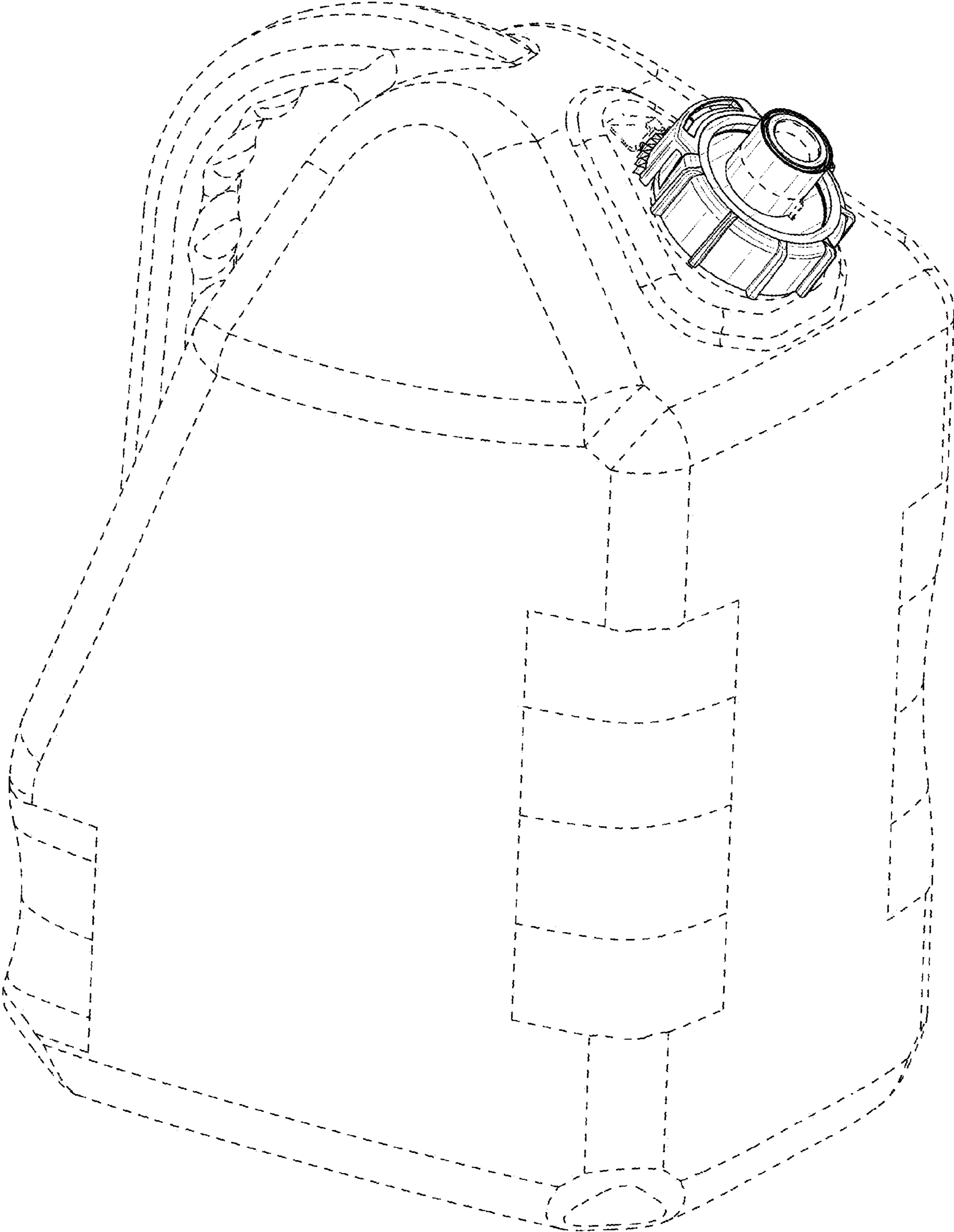


FIG. 1

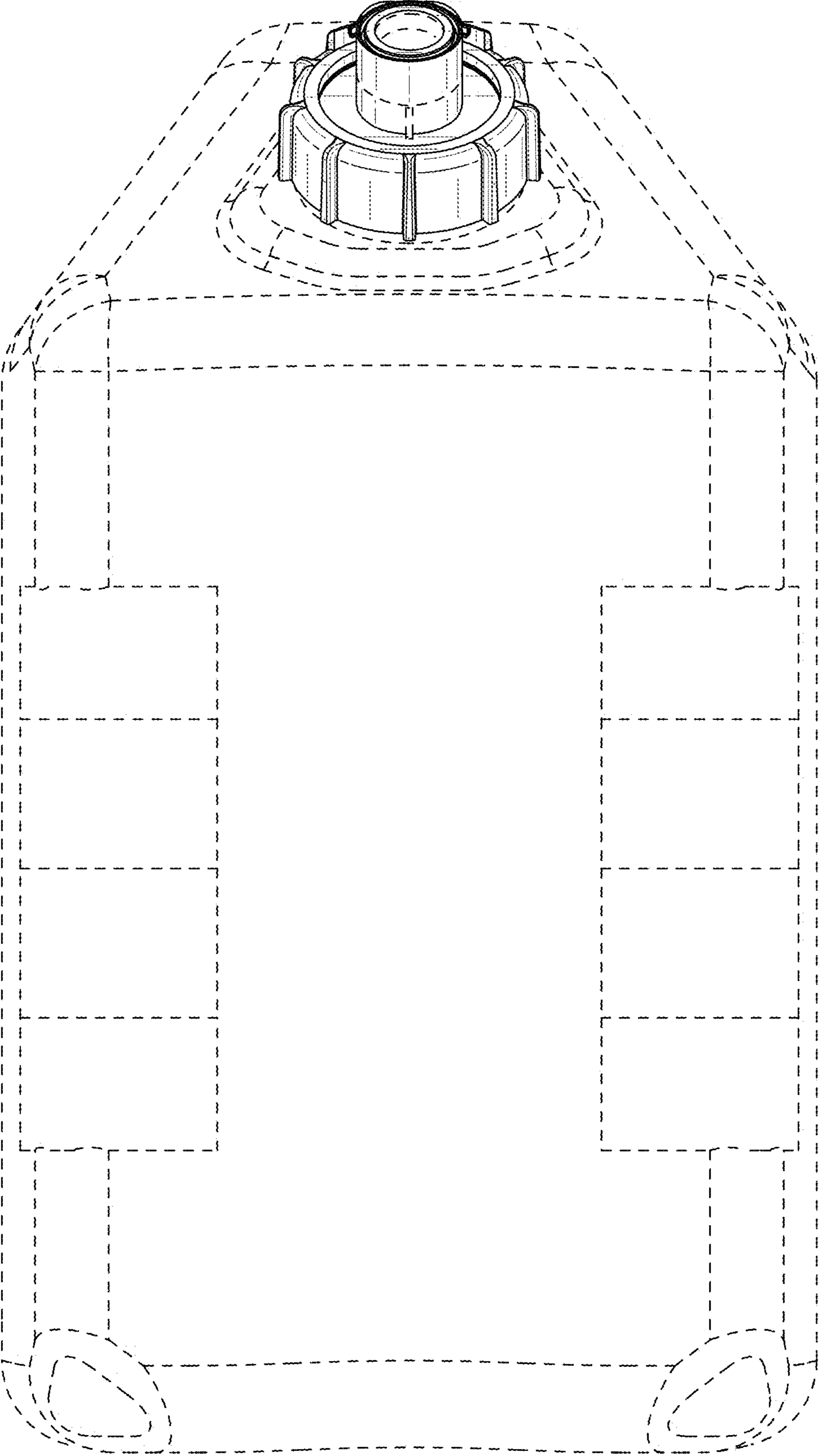


FIG. 2

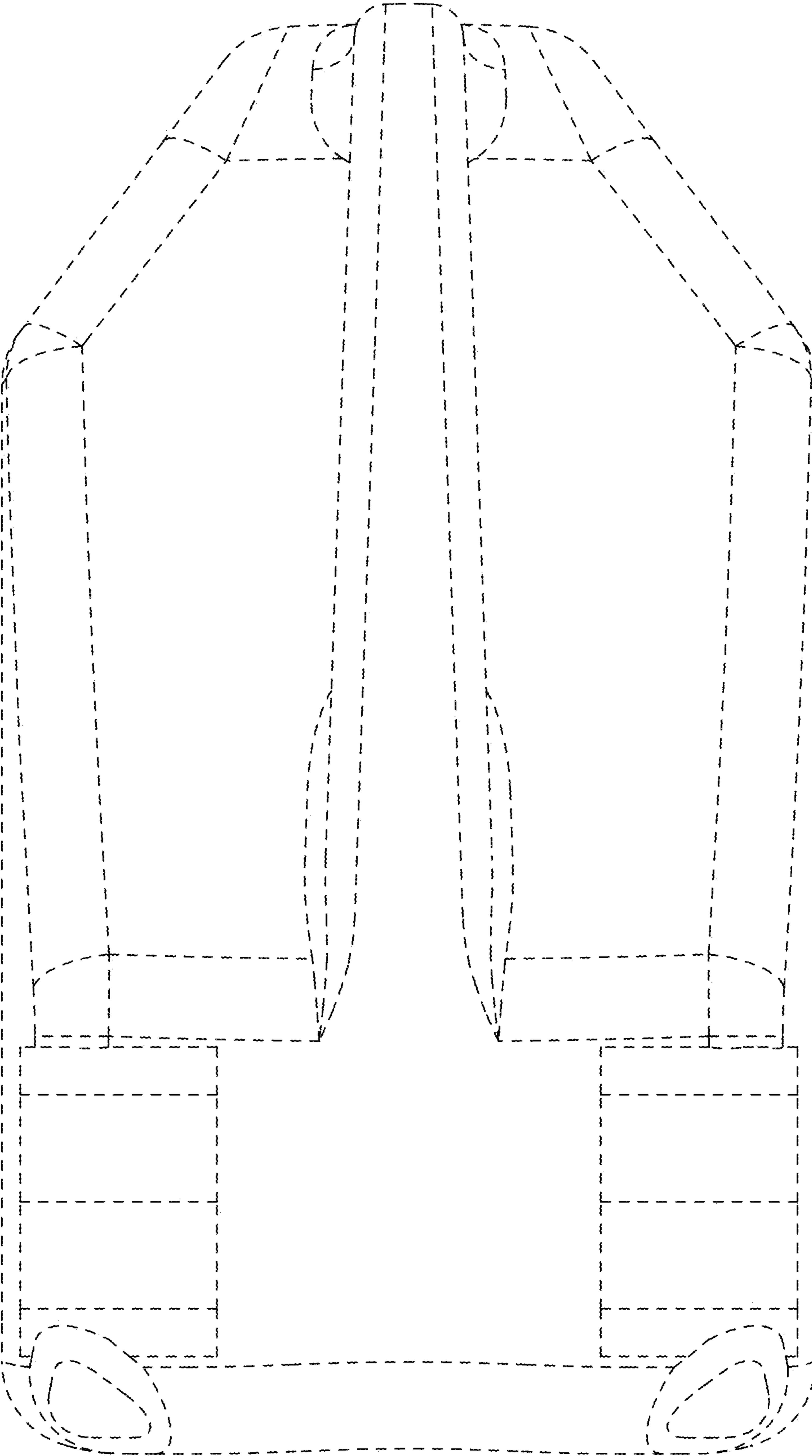


FIG. 3

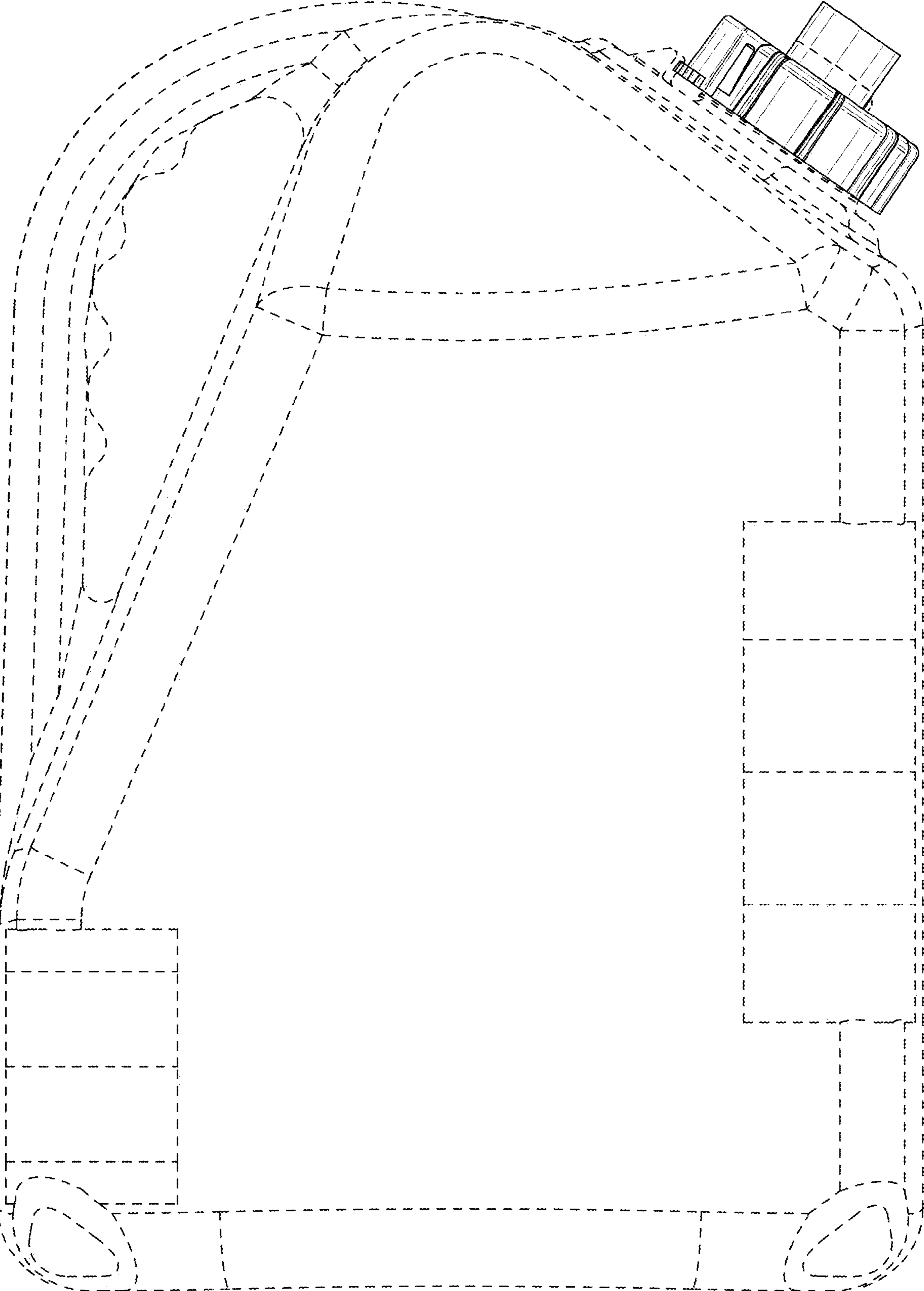


FIG. 4

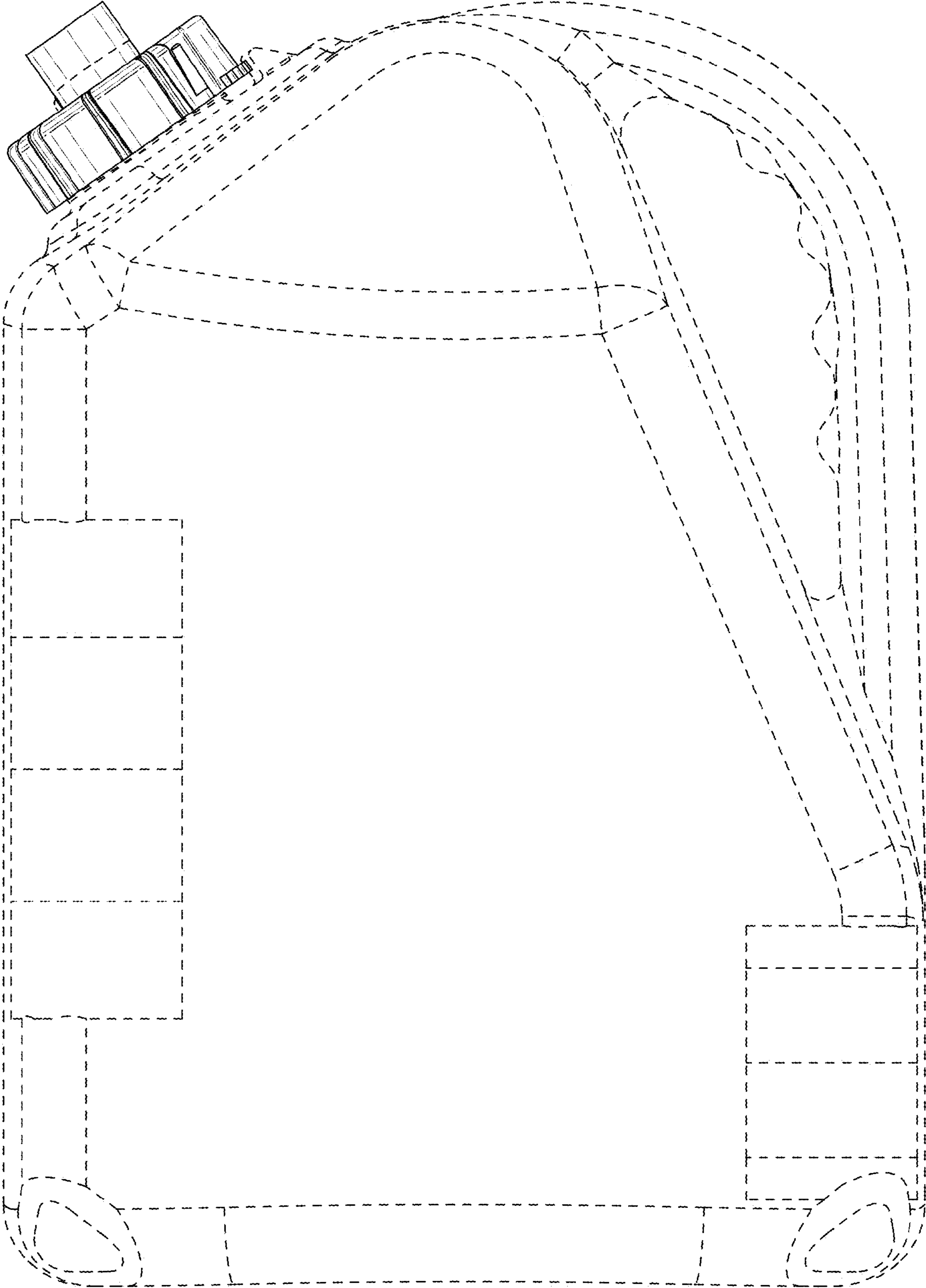


FIG. 5

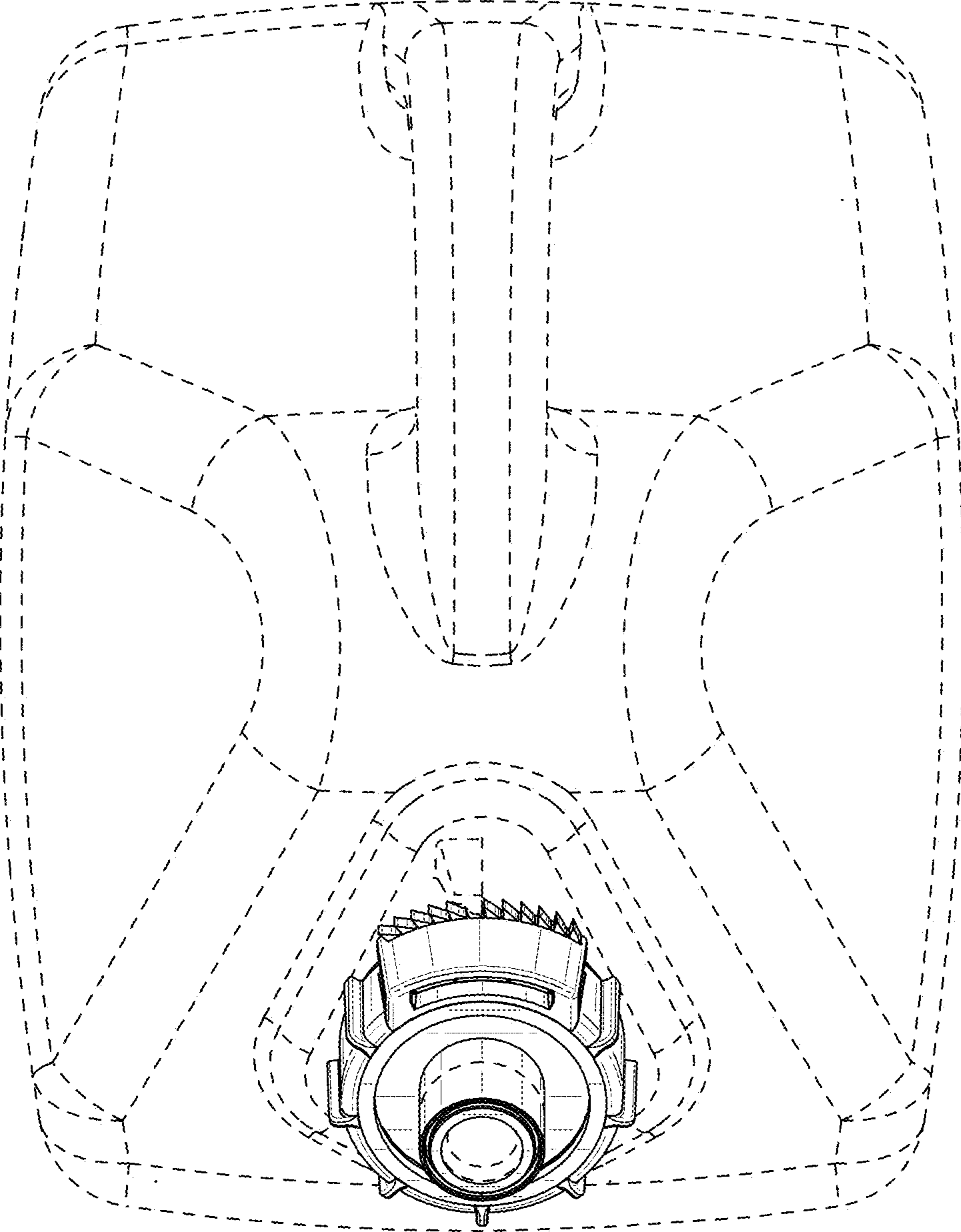


FIG. 6

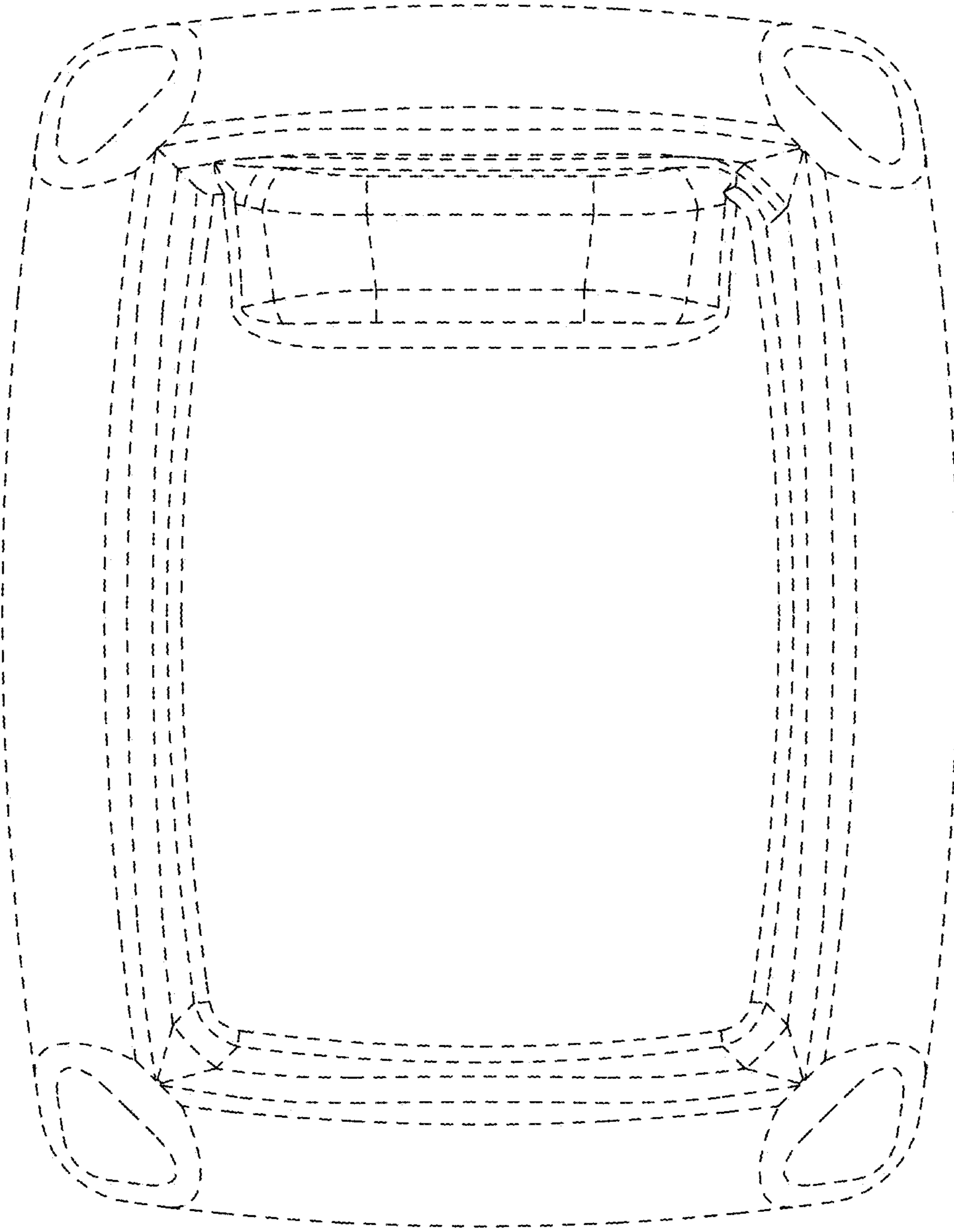


FIG. 7

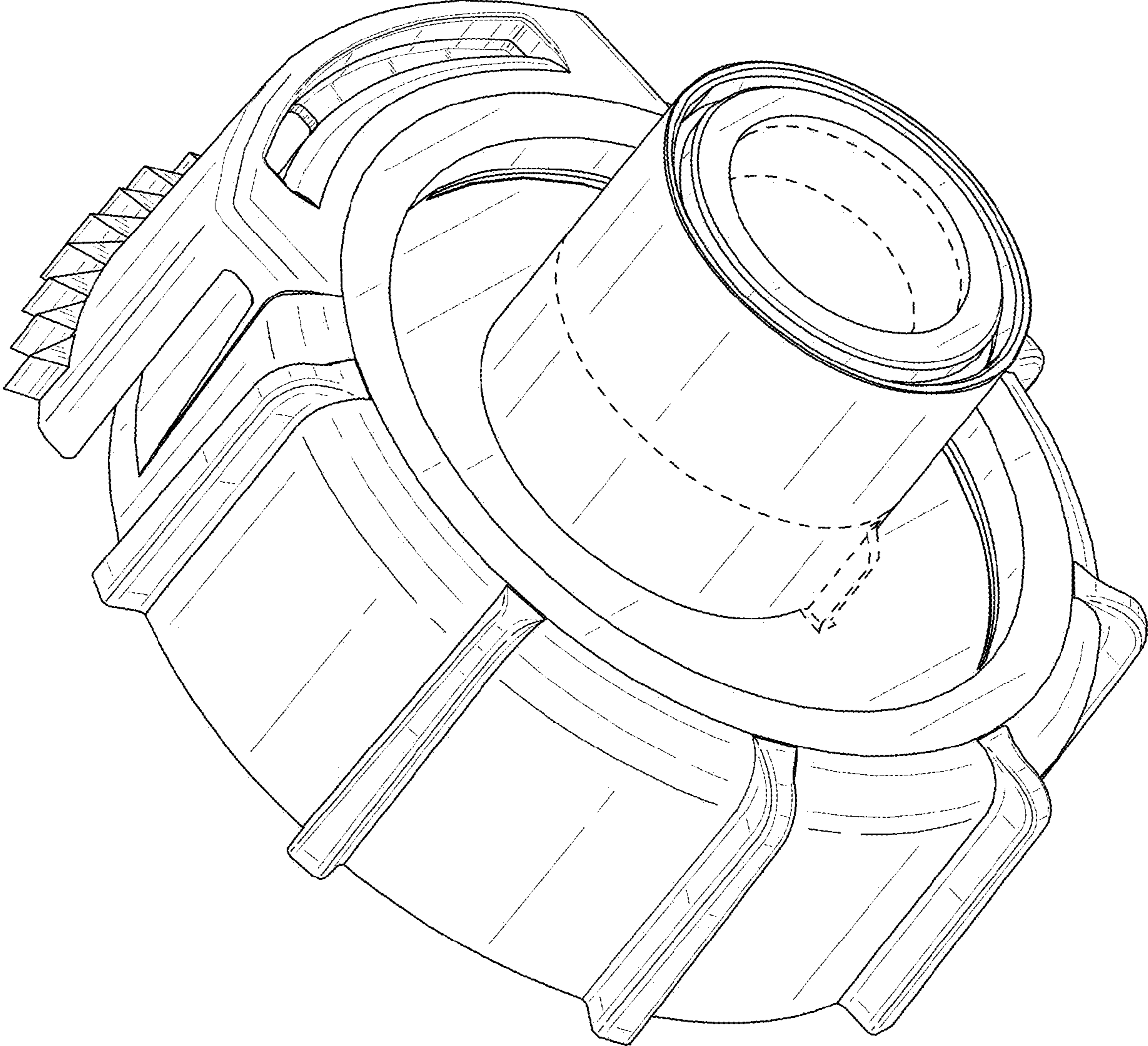


FIG. 8