



US00D920788S

(12) **United States Design Patent**
Jeans et al.

(10) **Patent No.:** **US D920,788 S**
(45) **Date of Patent:** **** Jun. 1, 2021**

- (54) **CAP DISPENSER**
- (71) Applicant: **Henkel IP & Holding GmbH**,
Duesseldorf (DE)
- (72) Inventors: **Sonya Latreille Jeans**, Los Angeles,
CA (US); **Amy Lu**, Ontario (CA)
- (73) Assignee: **Henkel IP & Holding GmbH**,
Duesseldorf (DE)
- (**) Term: **15 Years**
- (21) Appl. No.: **29/710,614**
- (22) Filed: **Oct. 24, 2019**
- (51) **LOC (13) Cl.** **09-07**
- (52) **U.S. Cl.**
USPC **D9/447; D9/452**
- (58) **Field of Classification Search**
USPC D9/434, 435, 436, 439, 440, 442-450,
D9/452-457, 499, 503-505, 682, 685,
D9/686; D7/387, 391, 392, 392.1, 396.1,
D7/396.2, 507, 509-511, 538, 629, 900;
D3/202, 203.2, 294, 318; D28/91, 91.1
CPC .. A61J 1/00; A61J 1/1412; B65D 1/00; B65D
1/02; B65D 1/10; B65D 1/46; B65D
5/46; B65D 41/00; B65D 41/38; B65D
41/56; B65D 41/62; B65D 47/00; B65D
47/06; B65D 47/08; B65D 2251/00;
B65D 2543/00046; B65D 2543/00092;
B65D 2543/00296
See application file for complete search history.

- (56) **References Cited**
U.S. PATENT DOCUMENTS
2,175,052 A * 10/1939 Bull B65D 47/2031
222/490
D171,432 S * 2/1954 Bernabo D9/447

- 2,924,393 A * 2/1960 Robert B05B 11/043
239/327
- D200,182 S * 1/1965 Crowell et al. D9/448
- D202,228 S * 9/1965 Vuilleminot D9/447
- D204,103 S * 3/1966 Lydon D9/447
- 3,369,707 A * 2/1968 Porter B65D 47/242
D9/450
- 3,809,299 A * 5/1974 Sand B65D 47/242
D9/450
- 4,408,702 A * 10/1983 Horvath B05B 11/0064
222/212
- D280,492 S * 9/1985 Greaves D9/453
- D286,620 S * 11/1986 Schneider D9/435
- D314,147 S * 1/1991 Davis D9/446
- D327,016 S * 6/1992 Leuenberger D9/447
- D336,430 S * 6/1993 Maguire D9/447
- D356,625 S * 3/1995 Petrucci D9/435
- D359,684 S * 6/1995 Duggan D9/436
- D391,448 S * 3/1998 Winer D7/510
- D399,423 S * 10/1998 Palestrant D9/447

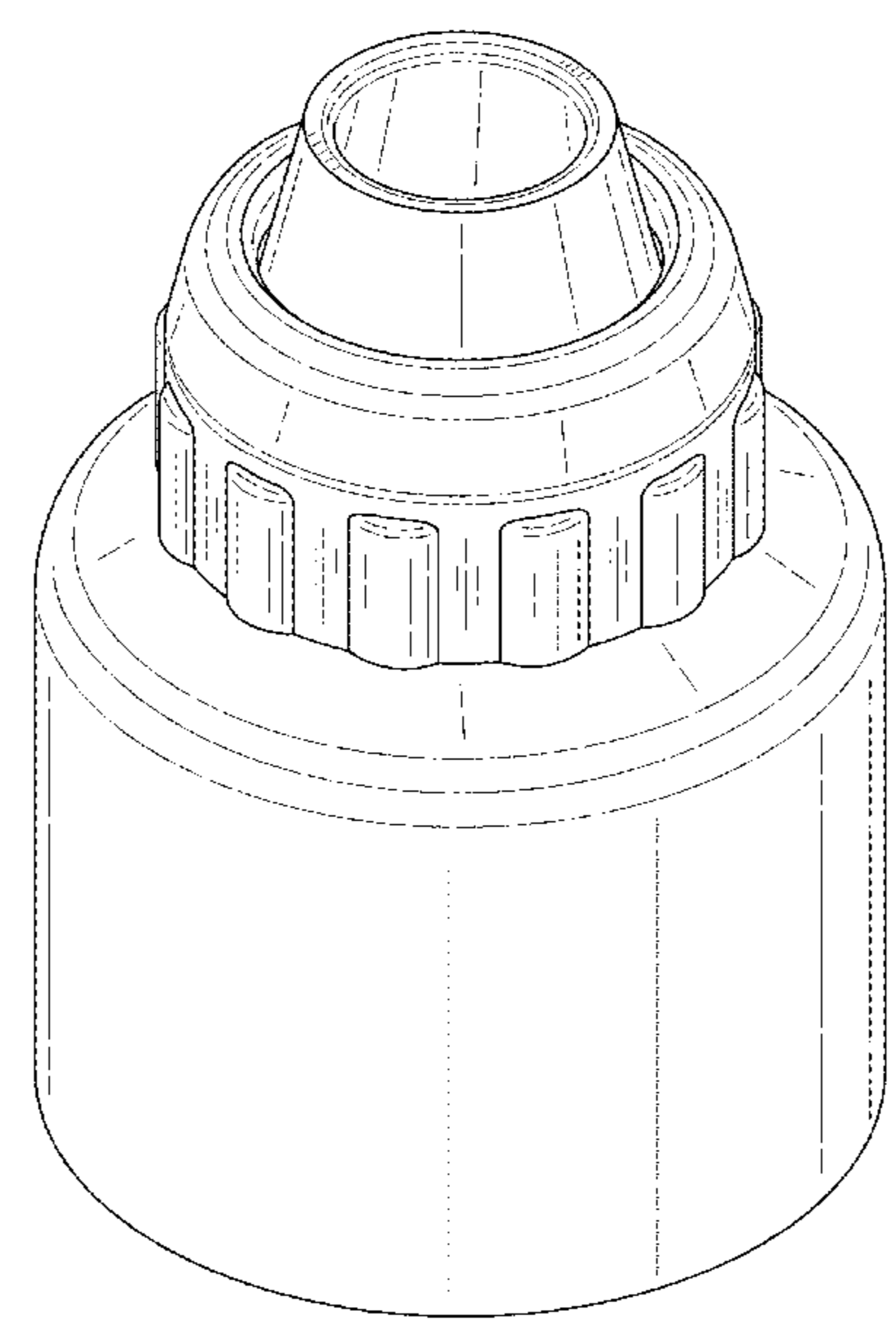
(Continued)

Primary Examiner — Wendy L Arminio
(74) *Attorney, Agent, or Firm* — P. Scott Smith

(57) **CLAIM**
The ornamental design for a cap dispenser, as shown and described.

DESCRIPTION
FIG. 1 is a top perspective view of a cap dispenser embodying the new design;
FIG. 2 is a bottom perspective view thereof;
FIG. 3 is a front side elevation view thereof;
FIG. 4 is a rear side elevation view thereof;
FIG. 5 is a right side elevation view thereof;
FIG. 6 is a left side elevation view thereof;
FIG. 7 is a top plan view thereof; and,
FIG. 8 is a bottom plan view thereof.
The broken lines are included for the purpose of illustrating the portions of the cap dispenser that form no part of the claimed design.

1 Claim, 8 Drawing Sheets



(56)

References Cited

U.S. PATENT DOCUMENTS

6,032,812	A *	3/2000	Lamoureux	B67D 3/0032 215/303
D456,256	S *	4/2002	Paczosa	D9/435
D476,232	S *	6/2003	Maus	D9/447
D531,900	S *	11/2006	Mavin	D9/447
D548,081	S *	8/2007	Noonan	D9/453
D609,091	S *	2/2010	Dubach	D9/447
D614,027	S *	4/2010	Fallat, II	D9/442
D621,260	S *	8/2010	Brannon	D9/452
D630,732	S *	1/2011	Lev	D9/452
D672,241	S *	12/2012	Sawicki	D9/449
D695,115	S *	12/2013	Juna	D9/447
D760,027	S *	6/2016	Meyers	D9/500
D768,813	S *	10/2016	Dong	D23/209
D768,814	S *	10/2016	Dong	D23/209
D811,220	S *	2/2018	Bohorquez Montenegro	D9/453
D836,441	S *	12/2018	Huang	D9/453
D869,550	S *	12/2019	Yoshii	D18/56
D872,521	S *	1/2020	Sitwell	D7/392.1
2014/0027457	A1 *	1/2014	Wei	B65D 47/36 220/258.3
2015/0166224	A1 *	6/2015	Greiner-Perth	B65D 51/1672 222/153.06

* cited by examiner

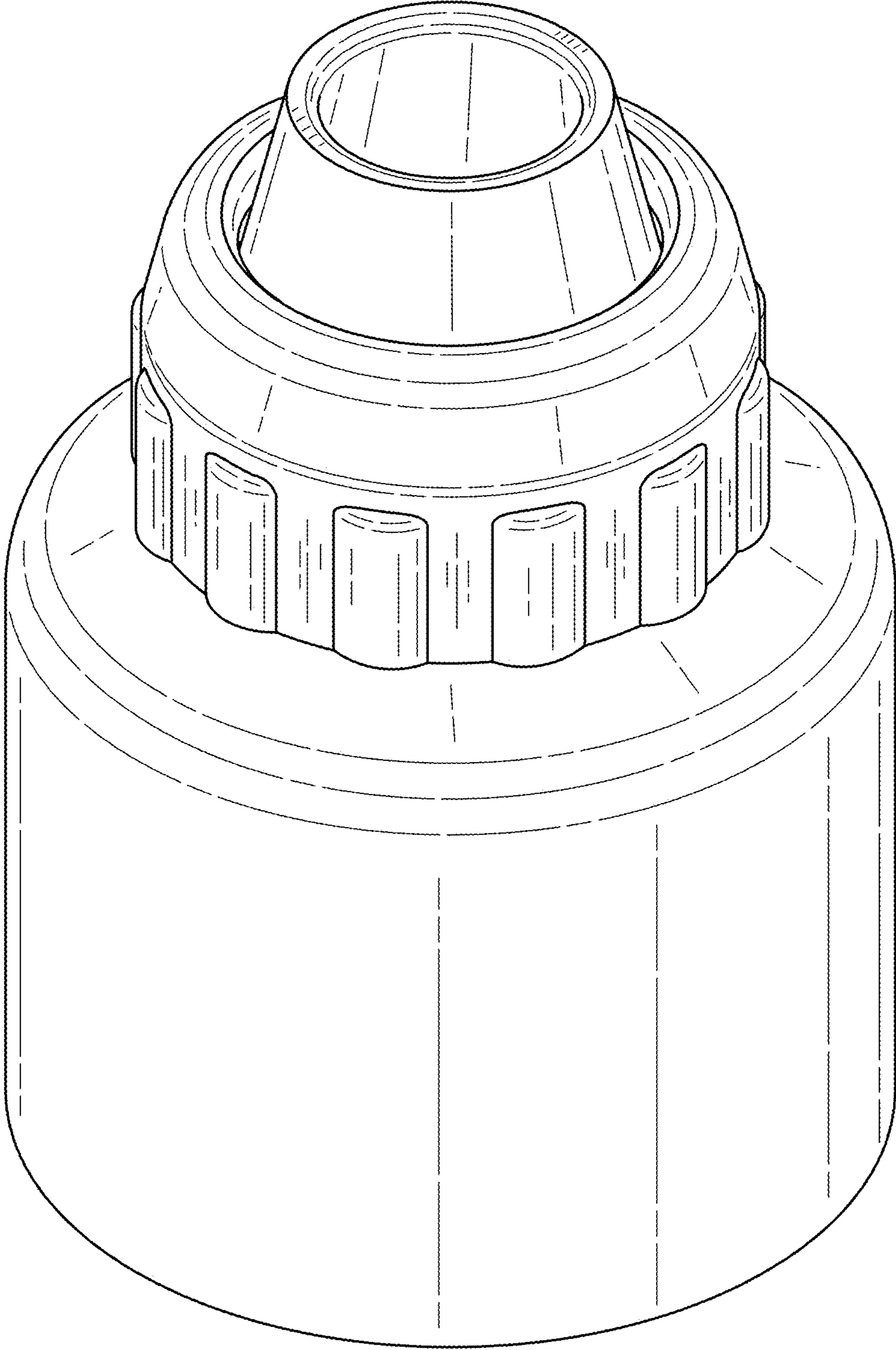


FIG. 1

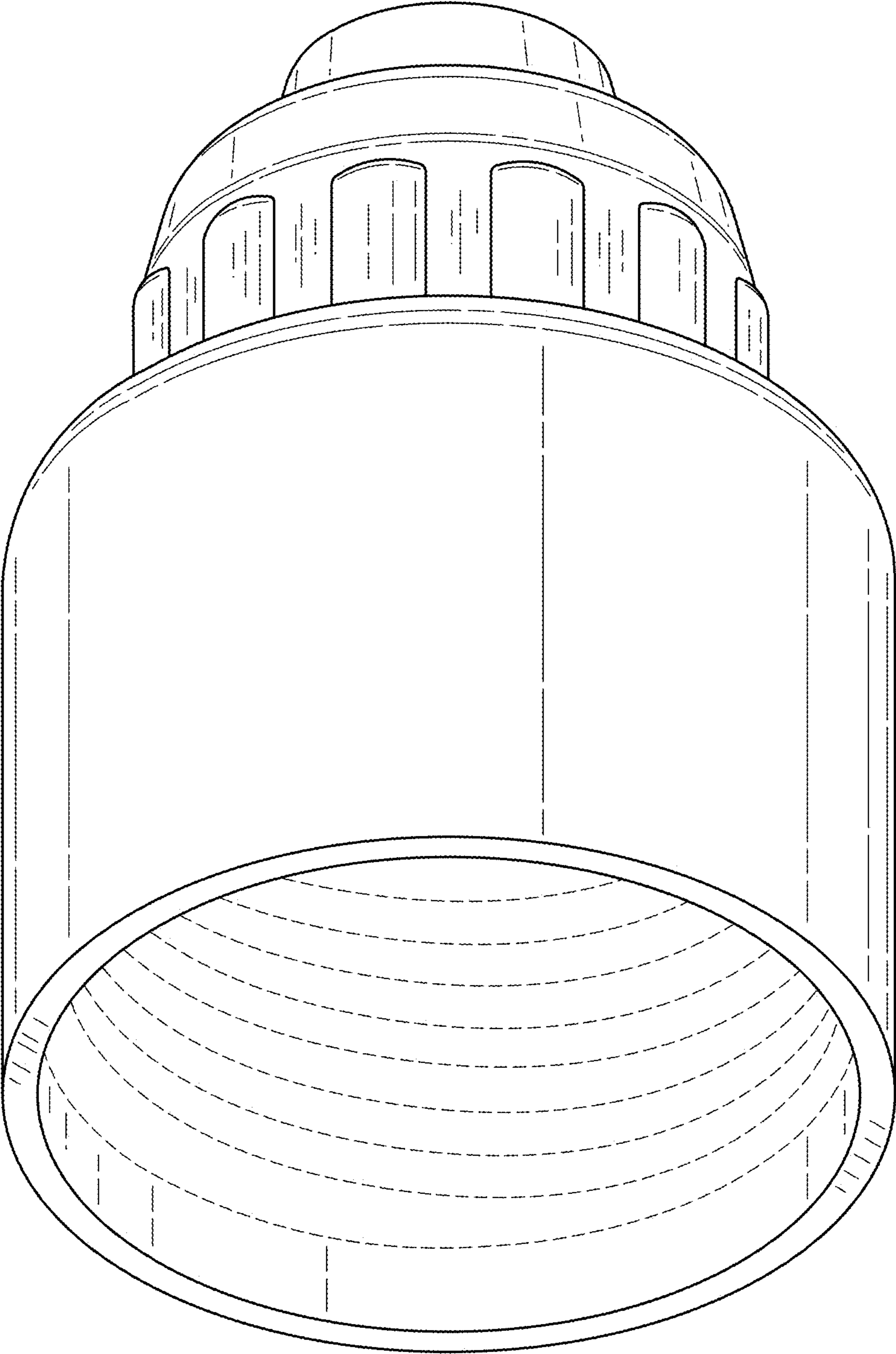


FIG. 2

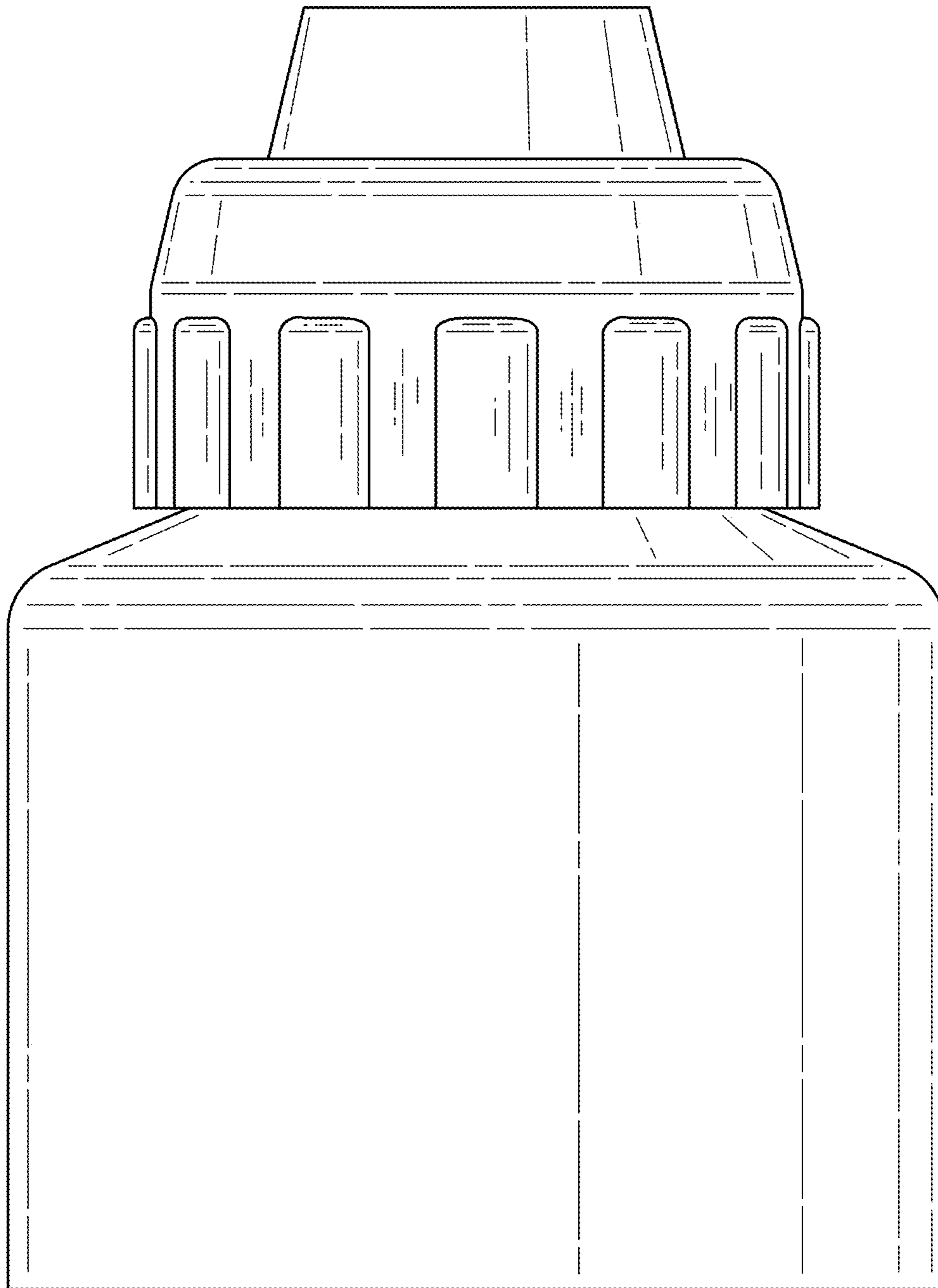


FIG. 3

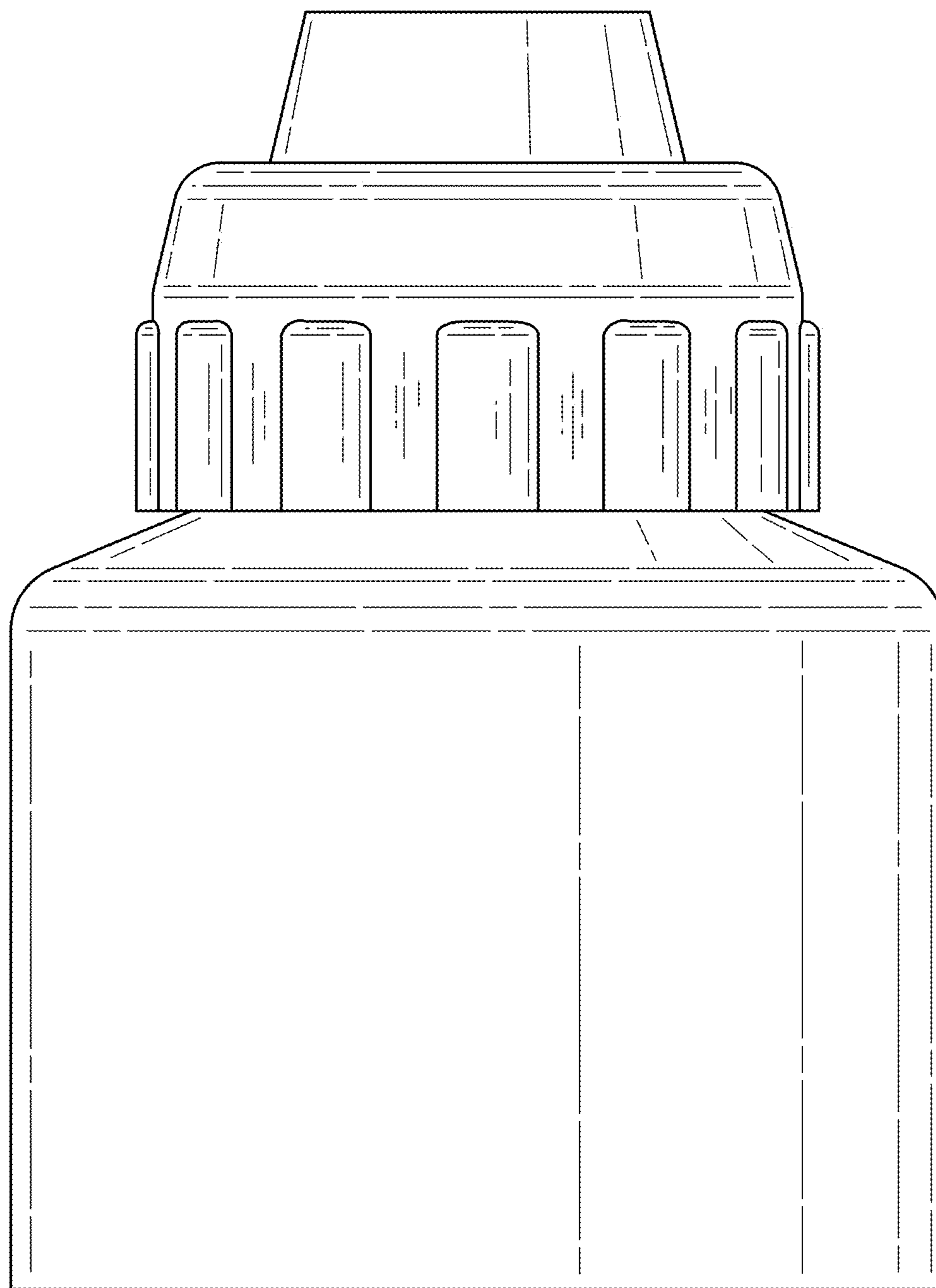


FIG. 4

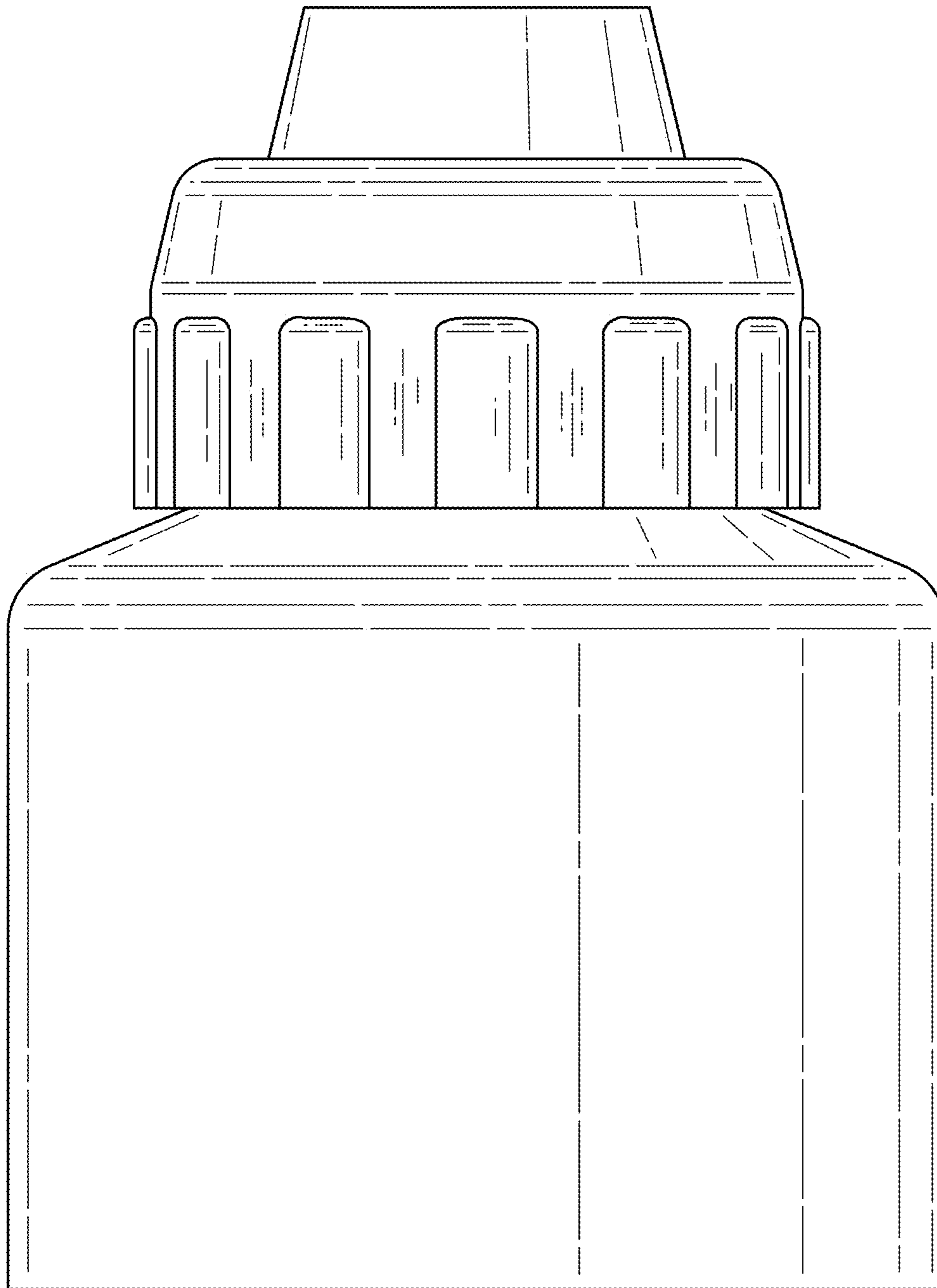


FIG. 5

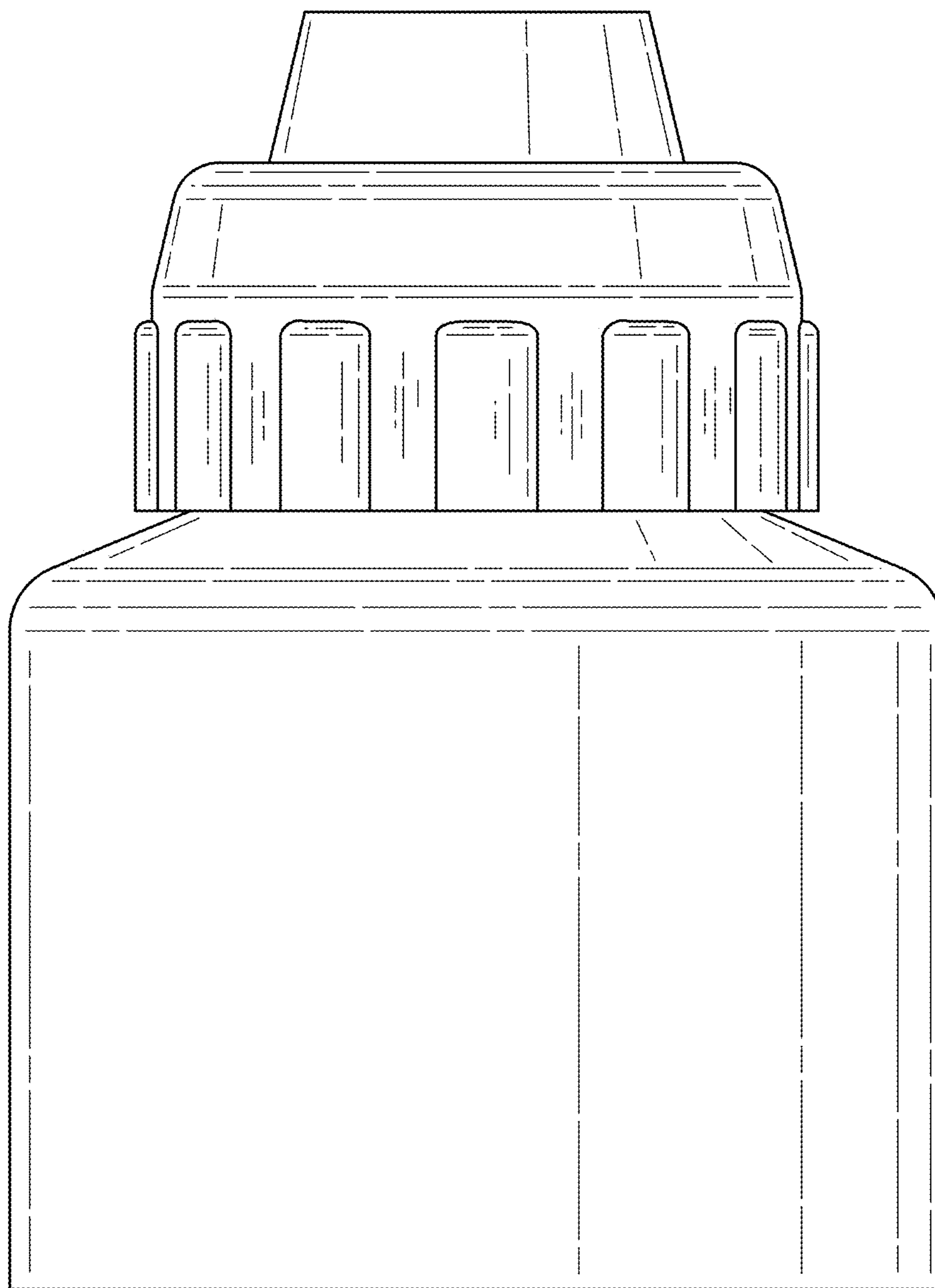


FIG. 6

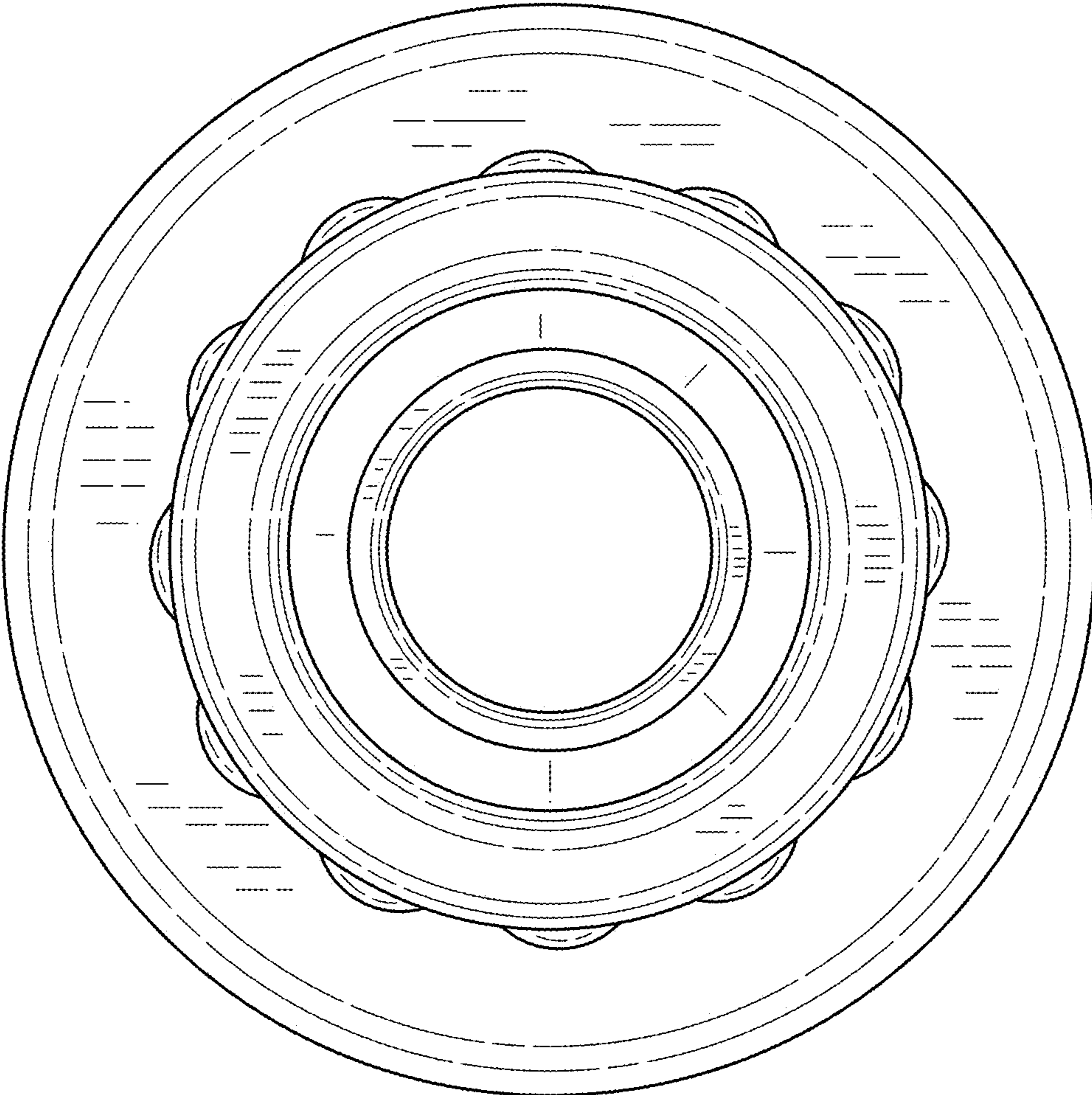


FIG. 7

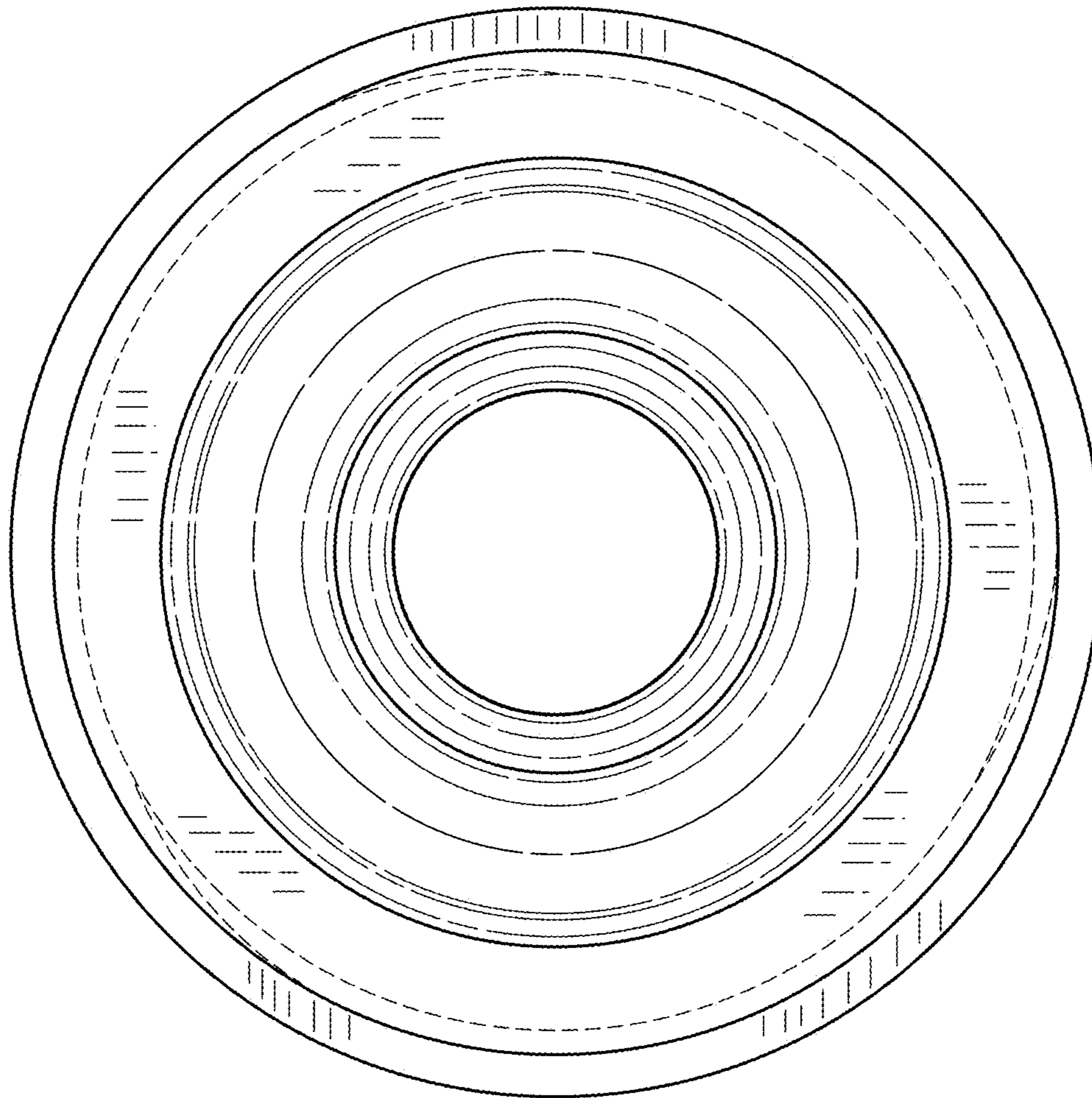


FIG. 8