



US00D920786S

(12) **United States Design Patent**
Partsch, IV

(10) **Patent No.:** **US D920,786 S**

(45) **Date of Patent:** **** Jun. 1, 2021**

- (54) **HYGIENE RINSE CAP**
- (71) Applicant: **George J. Partsch, IV**, Brea, CA (US)
- (72) Inventor: **George J. Partsch, IV**, Brea, CA (US)
- (**) Term: **15 Years**
- (21) Appl. No.: **29/710,321**
- (22) Filed: **Oct. 22, 2019**
- (51) **LOC (13) Cl.** **09-07**
- (52) **U.S. Cl.**
USPC **D9/447; D9/453**
- (58) **Field of Classification Search**
USPC D9/434, 435, 439, 440, 442-450,
D9/452-457, 499, 503-505, 682, 685,
D9/686; D7/387, 391, 392, 392.1, 396.1,
D7/396.2, 507, 509-511, 538, 900;
D3/202, 203.2, 294, 318; D28/91, 91.1;
D24/108, 111, 112; D23/213, 223
CPC .. A61J 1/00; A61J 1/1412; B65D 1/00; B65D
1/02; B65D 1/10; B65D 1/46; B65D
5/46; B65D 41/00; B65D 41/38; B65D
41/56; B65D 41/62; B65D 47/00; B65D
47/06; B65D 47/08; B65D 2251/00;
B65D 2543/00046; B65D 2543/00092;
B65D 2543/00296
See application file for complete search history.

- (56) **References Cited**
U.S. PATENT DOCUMENTS
D93,864 S * 11/1934 Bitner D7/392
D105,256 S * 7/1937 Amrine D9/443
D108,945 S * 3/1938 Hart D7/392
D139,762 S * 12/1944 Mudge D9/447
D160,491 S * 10/1950 Goldman D9/447
3,300,075 A * 1/1967 Dahl B65D 51/242
D9/436

- D226,945 S * 5/1973 Burkhardt D9/447
- D231,639 S * 5/1974 Gambello D24/111
- D238,340 S * 1/1976 Parker D23/213
- D263,933 S * 4/1982 Jones D9/452
- D271,858 S * 12/1983 Martin D9/447
- D277,458 S * 2/1985 Neggers D9/443
- 5,188,251 A * 2/1993 Kusz A61J 7/04
116/308
- D361,469 S * 8/1995 Young D7/392.1
- D374,623 S * 10/1996 Rafferty D9/443
- D419,029 S * 1/2000 Randolph D7/392
- D440,495 S * 4/2001 Hathaway D9/450
- D530,009 S * 10/2006 Lyman D24/108
- D560,495 S * 1/2008 Mettler D9/504
- D634,196 S * 3/2011 Giraud D9/453
- D778,160 S * 2/2017 Orset D9/435
- D817,090 S * 5/2018 Bogazzi D7/402
- D848,844 S * 5/2019 Byron D9/454
- D858,872 S * 9/2019 White D27/186

(Continued)

Primary Examiner — Wendy L Arminio
(74) *Attorney, Agent, or Firm* — WPAT Law, P.C.;
Anthony King

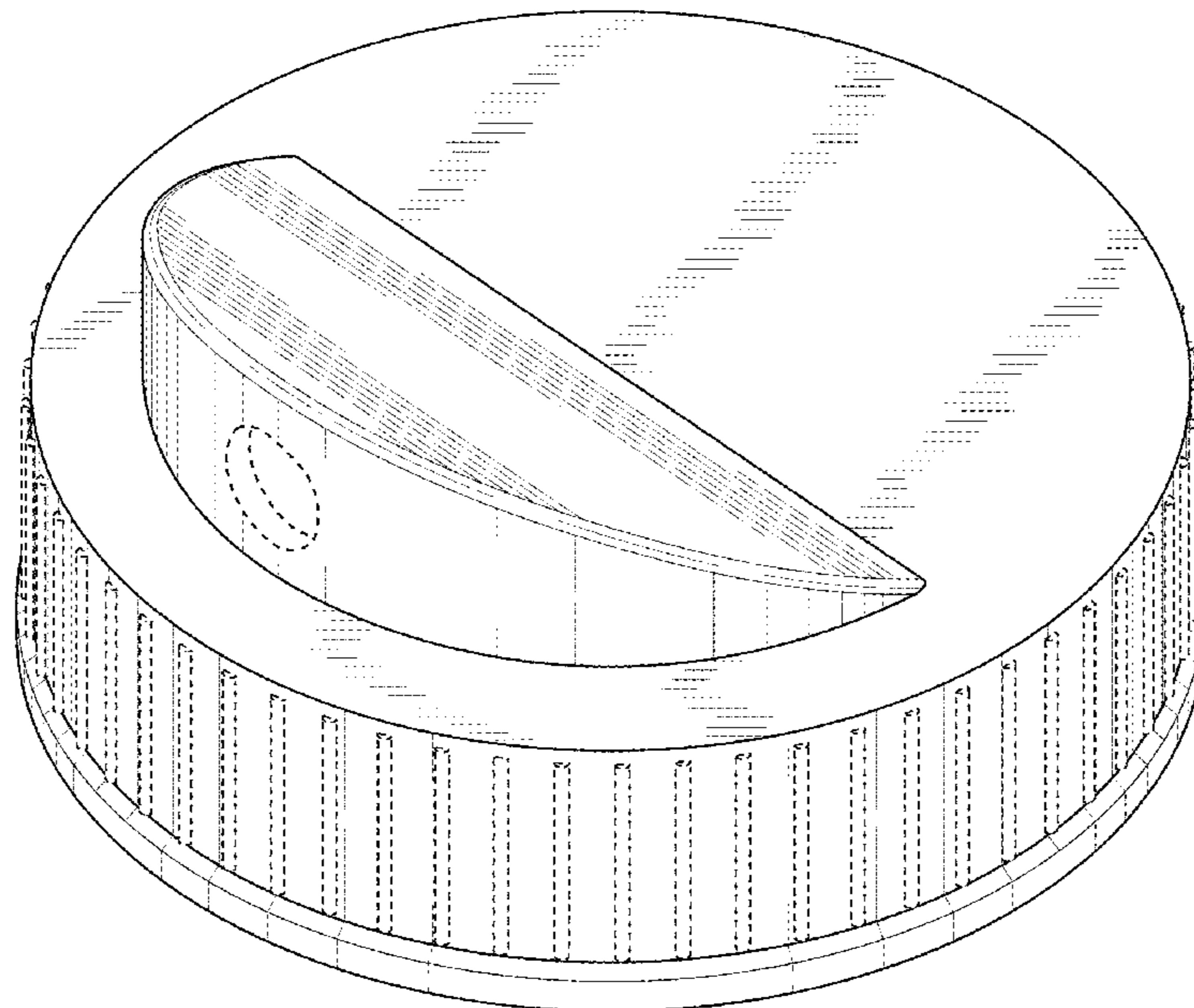
(57) **CLAIM**

The ornamental design for a hygiene rinse cap, as shown and described.

DESCRIPTION

FIG. 1 is a perspective view of the hygiene rinse cap;
FIG. 2 is a right side view of the hygiene rinse cap of FIG. 1;
FIG. 3 is a left side view of the hygiene rinse cap of FIG. 1;
FIG. 4 is a front view of the hygiene rinse cap of FIG. 1;
FIG. 5 is a back view of the hygiene rinse cap of FIG. 1;
FIG. 6 is a top view of the hygiene rinse cap of FIG. 1; and,
FIG. 7 is a bottom view of the hygiene rinse cap of FIG. 1.
The broken lines depict portions of the hygiene rinse cap that form no part of the claimed design.

1 Claim, 5 Drawing Sheets



(56)

References Cited

U.S. PATENT DOCUMENTS

2010/0102094 A1* 4/2010 Rice B65D 41/04
141/18
2019/0144169 A1* 5/2019 Byron B65D 41/0457
215/316

* cited by examiner

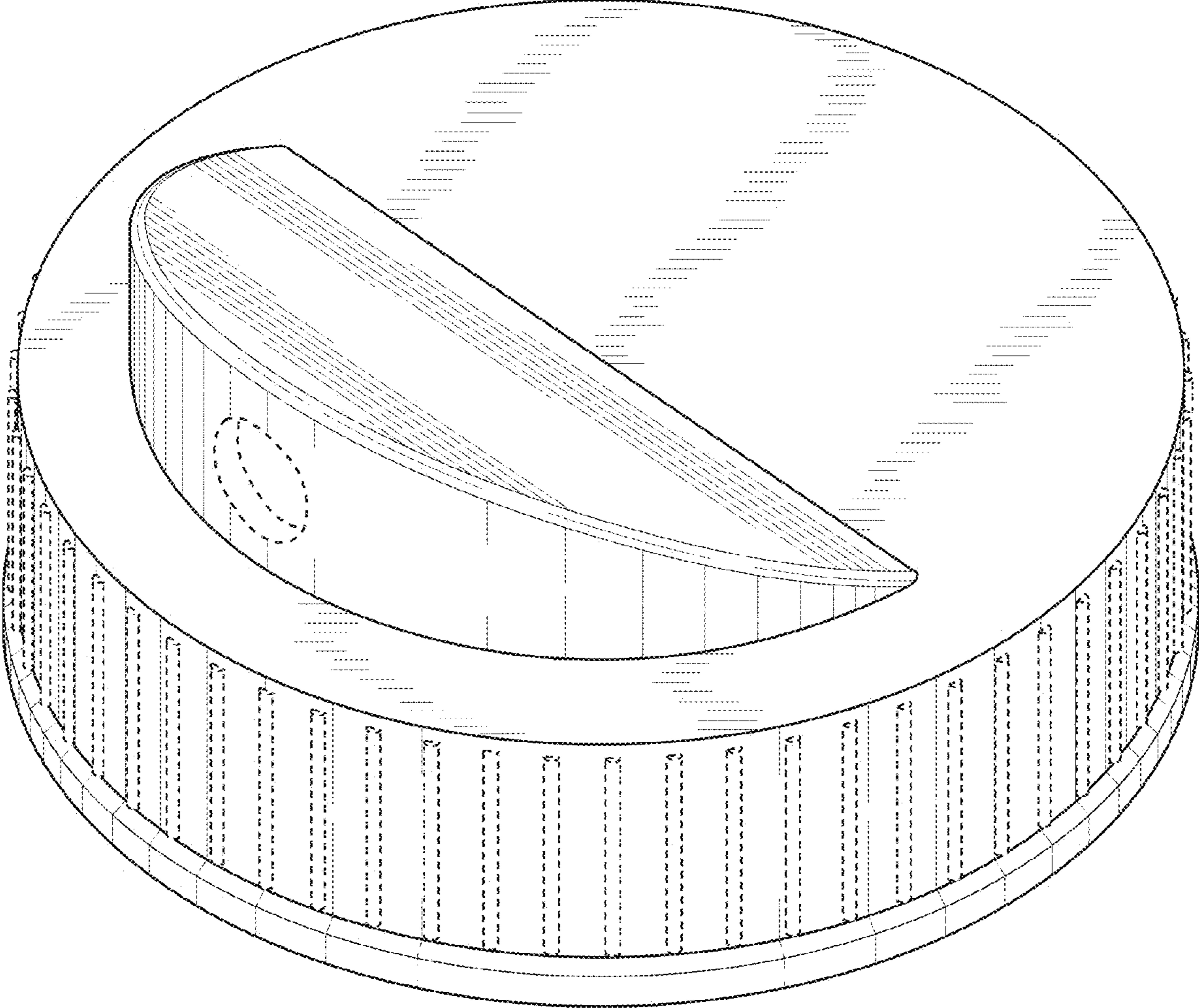


FIG. 1

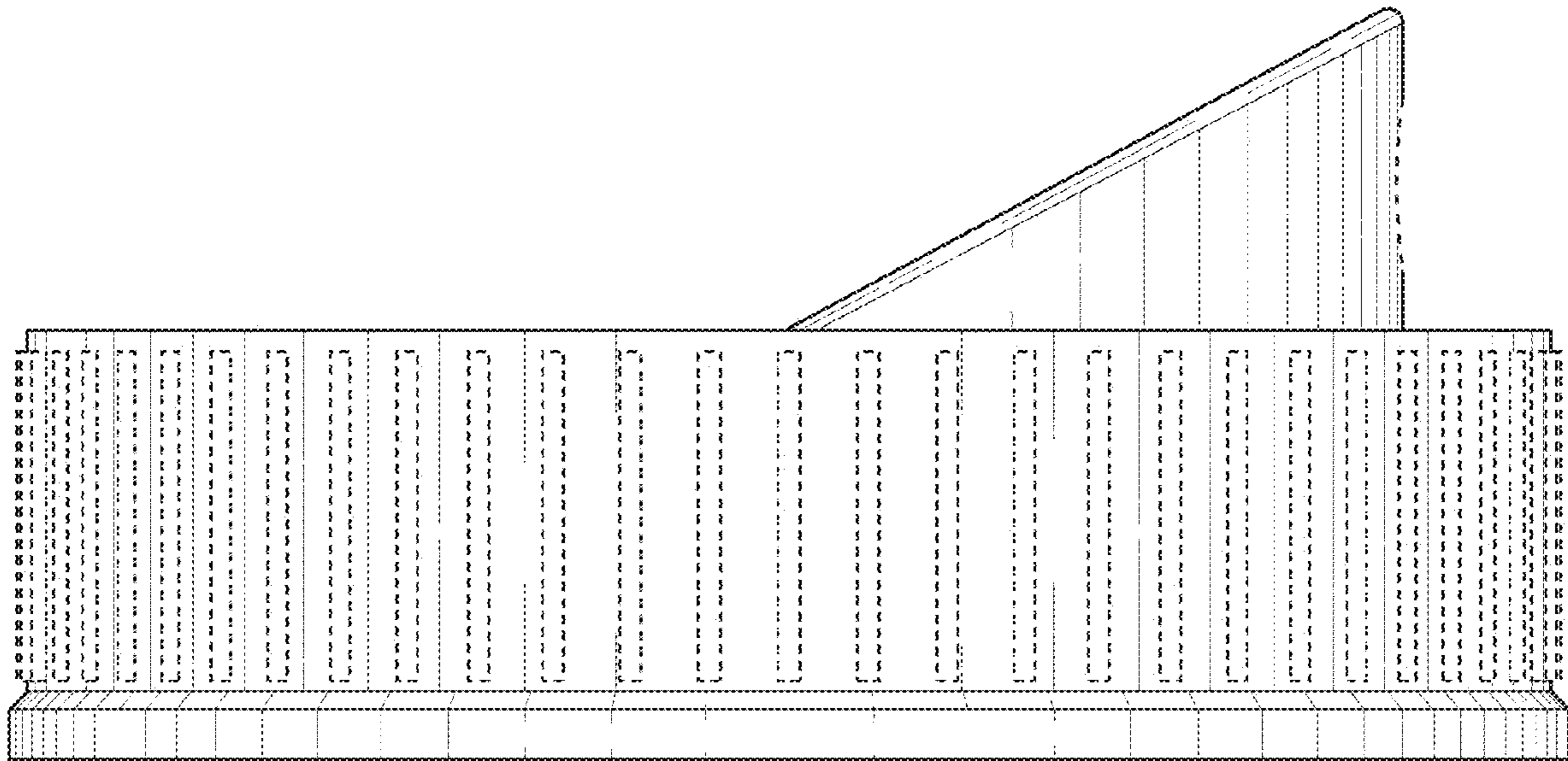


FIG. 2

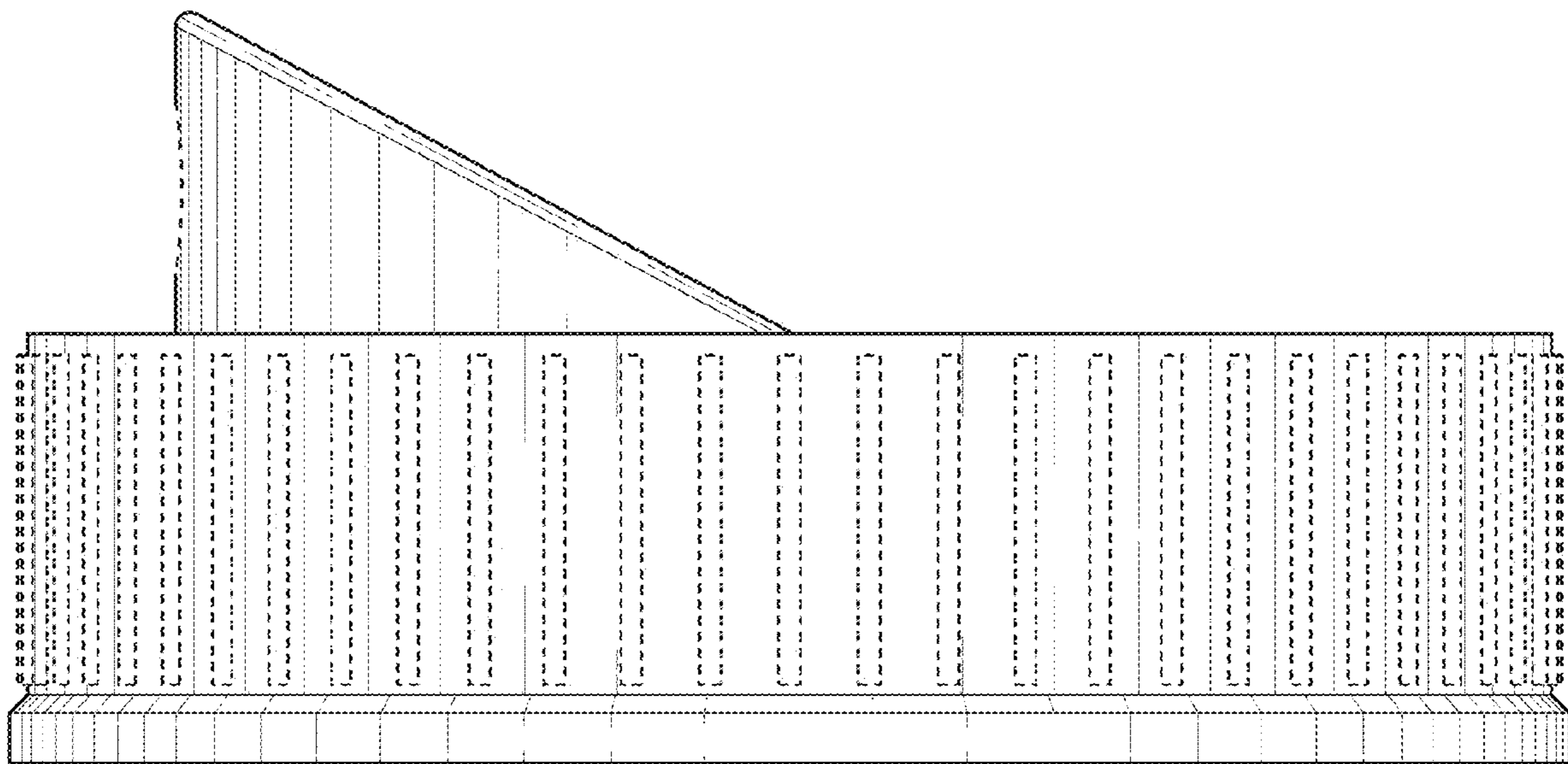


FIG. 3

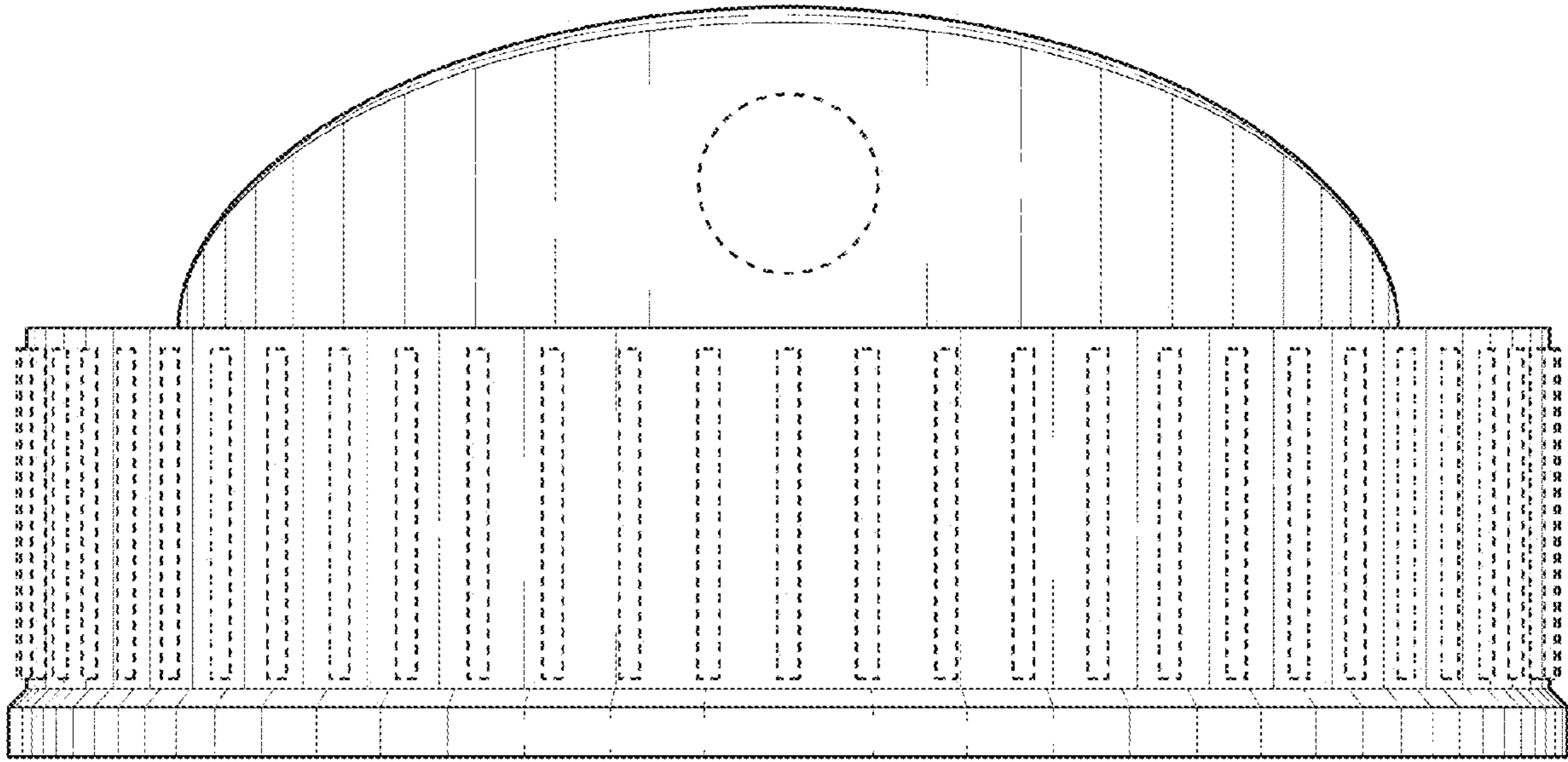


FIG. 4

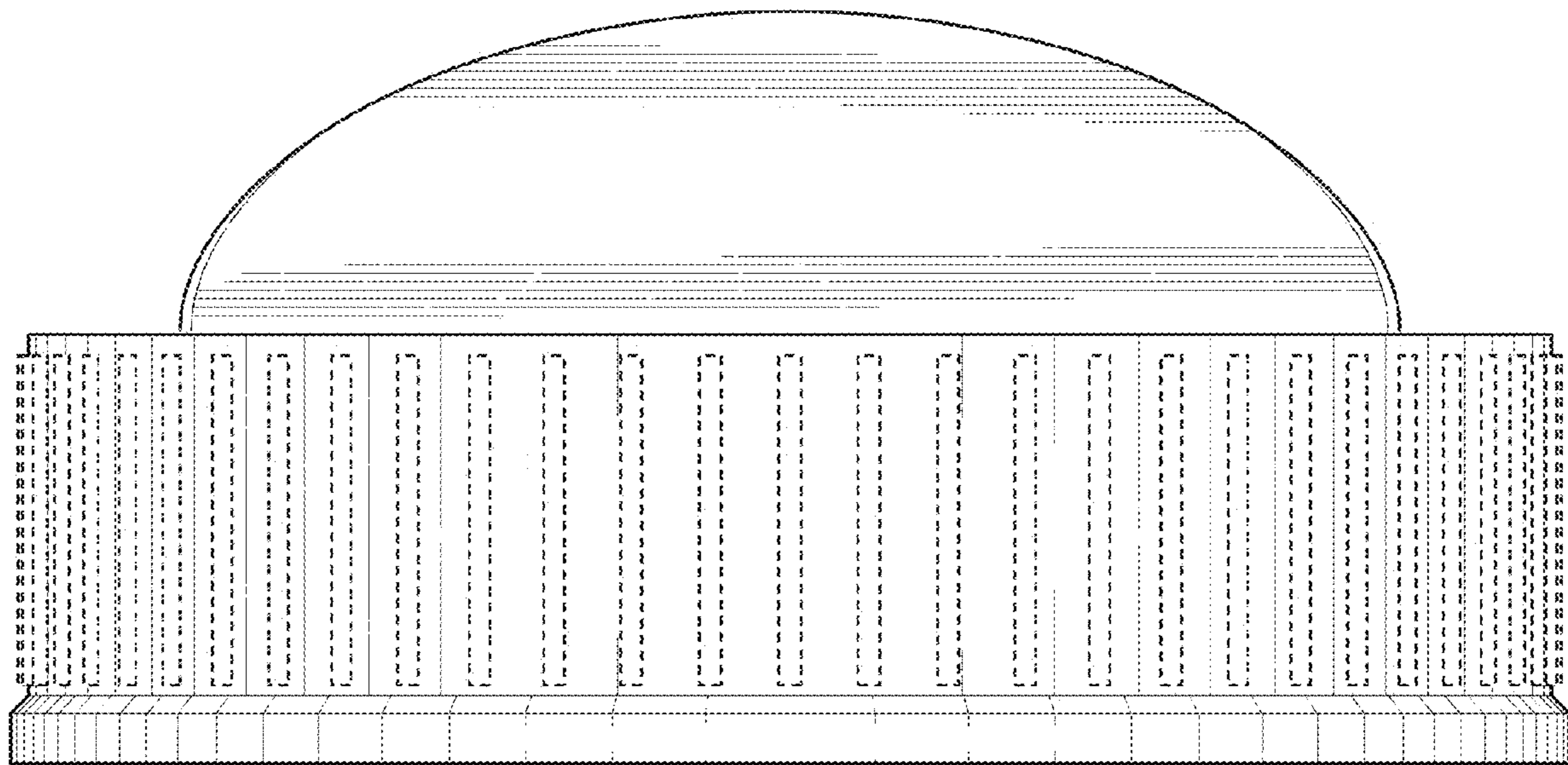


FIG. 5

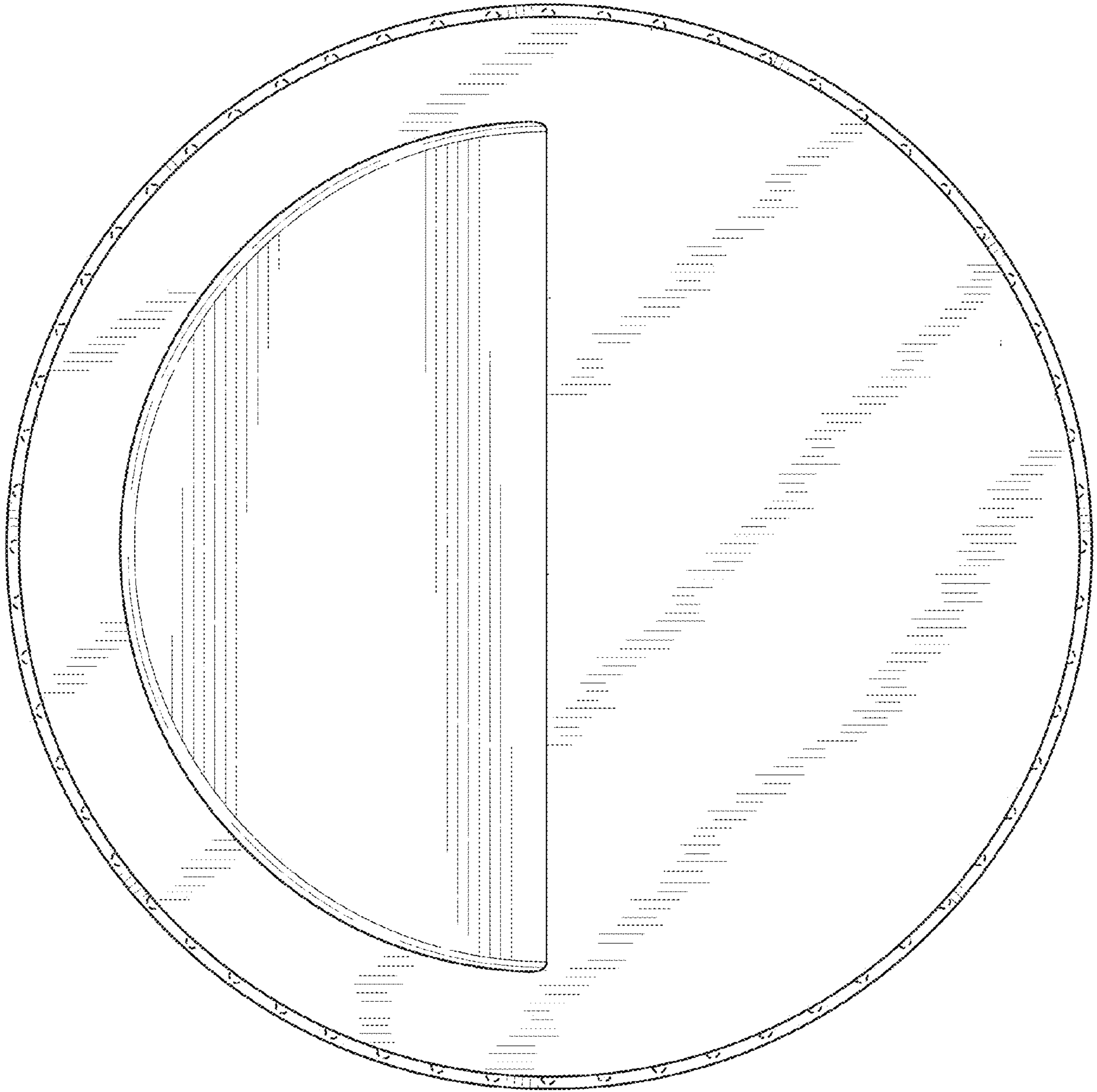


FIG. 6

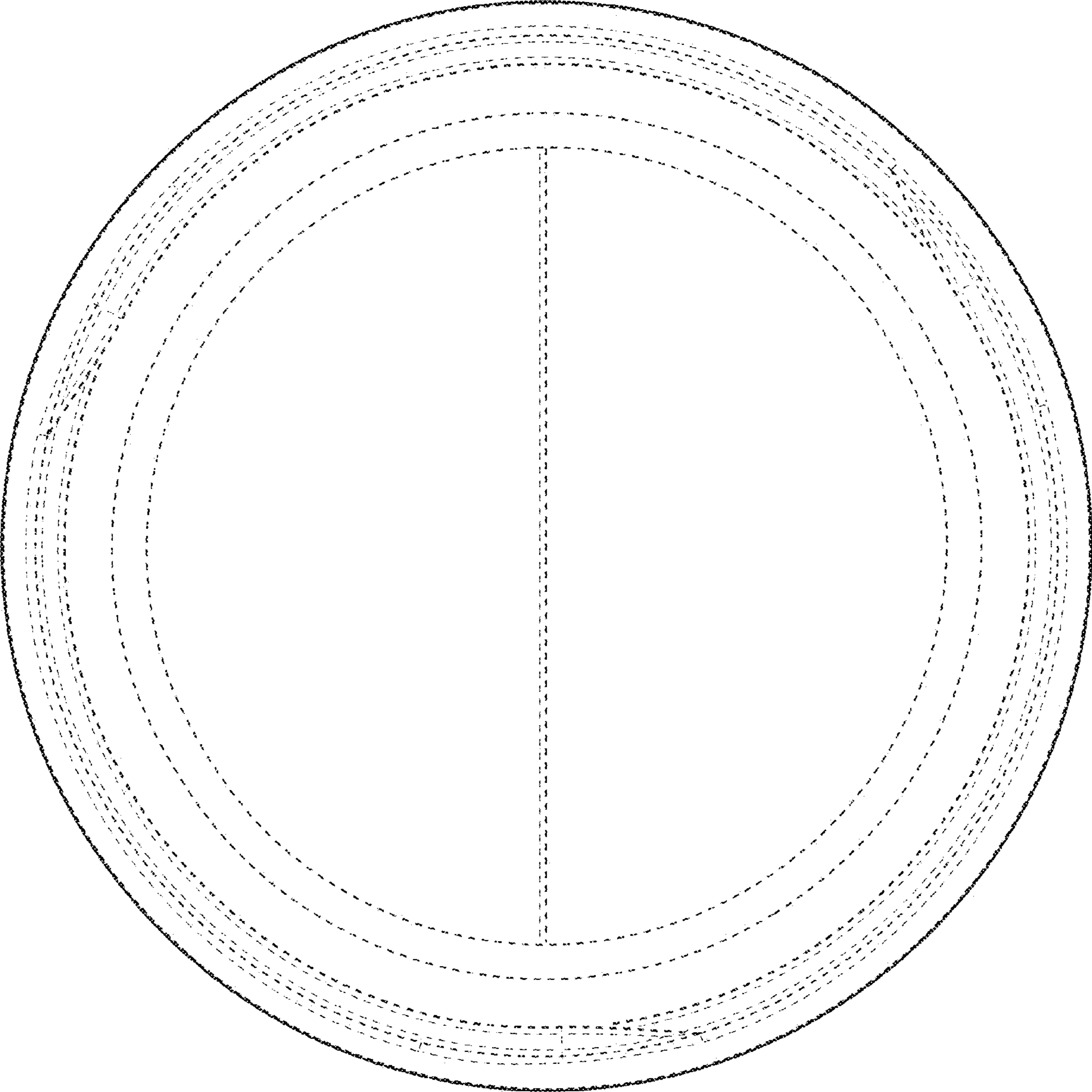


FIG. 7