



US00D920785S

(12) **United States Design Patent**  
**Woodruf**

(10) **Patent No.:** **US D920,785 S**

(45) **Date of Patent:** **\*\* Jun. 1, 2021**

(54) **BOTTLE CAP**

(71) Applicant: **Jeremy Woodruf**, Enid, OK (US)

(72) Inventor: **Jeremy Woodruf**, Enid, OK (US)

(\*\*) Term: **15 Years**

(21) Appl. No.: **29/693,376**

(22) Filed: **Jun. 2, 2019**

(51) **LOC (13) Cl.** ..... **09-07**

(52) **U.S. Cl.**  
USPC ..... **D9/436; D7/392.1; D7/643**

(58) **Field of Classification Search**  
USPC ..... D3/201, 202; D7/387, 391, 392.1, 394,  
D7/397, 401.1, 401.2, 642, 643, 649, 650,  
D7/653, 396.1, 396.2, 509-511, 538, 900;  
D9/434, 435, 436, 439, 440, 442, 443,  
D9/446-450, 499, 686

CPC .... B65D 51/24; B65D 51/242; B65D 1/0207;  
B65D 1/0246; B65D 41/04; B65D 41/06;  
B65D 53/02; F41B 13/08

See application file for complete search history.

(56) **References Cited**

**U.S. PATENT DOCUMENTS**

D48,994 S *	5/1916	Sutter	.....	D9/436
1,917,670 A *	7/1933	Spiller	.....	B65D 51/242
				222/105
D116,066 S *	8/1939	Twomey	.....	D9/436
D183,883 S *	11/1958	Gordon	.....	D7/643
D191,387 S *	9/1961	Hansen	.....	D9/436
D203,710 S *	2/1966	Woodard	.....	D9/450
D302,793 S *	8/1989	Yamaguchi	.....	D9/436
D339,036 S *	9/1993	McDaniel	.....	D7/643
D491,420 S *	6/2004	Shibata	.....	D7/653
D499,023 S *	11/2004	Amos	.....	D10/101
D621,232 S *	8/2010	Lion	.....	D7/653
D631,285 S *	1/2011	Smiedt	.....	D7/392.1
D715,143 S *	10/2014	Hewitt	.....	D9/436

D715,646 S *	10/2014	Fraser	.....	D9/436
D758,791 S *	6/2016	Hanna	.....	D7/392.1
D762,472 S *	8/2016	Tahmas	.....	D9/436
D779,937 S *	2/2017	Lane	.....	D9/436
D797,525 S *	9/2017	Garza, Jr.	.....	D7/653
D799,280 S *	10/2017	Shalev	.....	D7/653
D811,877 S *	3/2018	Yu	.....	D9/436
D818,775 S *	5/2018	Woodruff	.....	D7/510
D823,110 S *	7/2018	Koe	.....	D9/436
D825,330 S *	8/2018	Tahmas	.....	D9/436
D865,442 S *	11/2019	Hunter	.....	D7/396.2
D874,883 S *	2/2020	Blessinger	.....	D7/653
D885,123 S *	5/2020	Vollmer, Jr.	.....	D7/392.1
2018/0148239 A1 *	5/2018	Woodruff	.....	B65D 1/0207
2018/0170634 A1 *	6/2018	Woodruff	.....	F41B 13/10

**OTHER PUBLICATIONS**

Utensil Lid: Site Visited [Aug. 14, 2020] [Online], Available from Internet URL: <https://www.zulily.com/p/blue-clear-utensil-lid-three-container-storage-set-443316-87896182.html>.\*

\* cited by examiner

*Primary Examiner* — Catherine S Posthauer

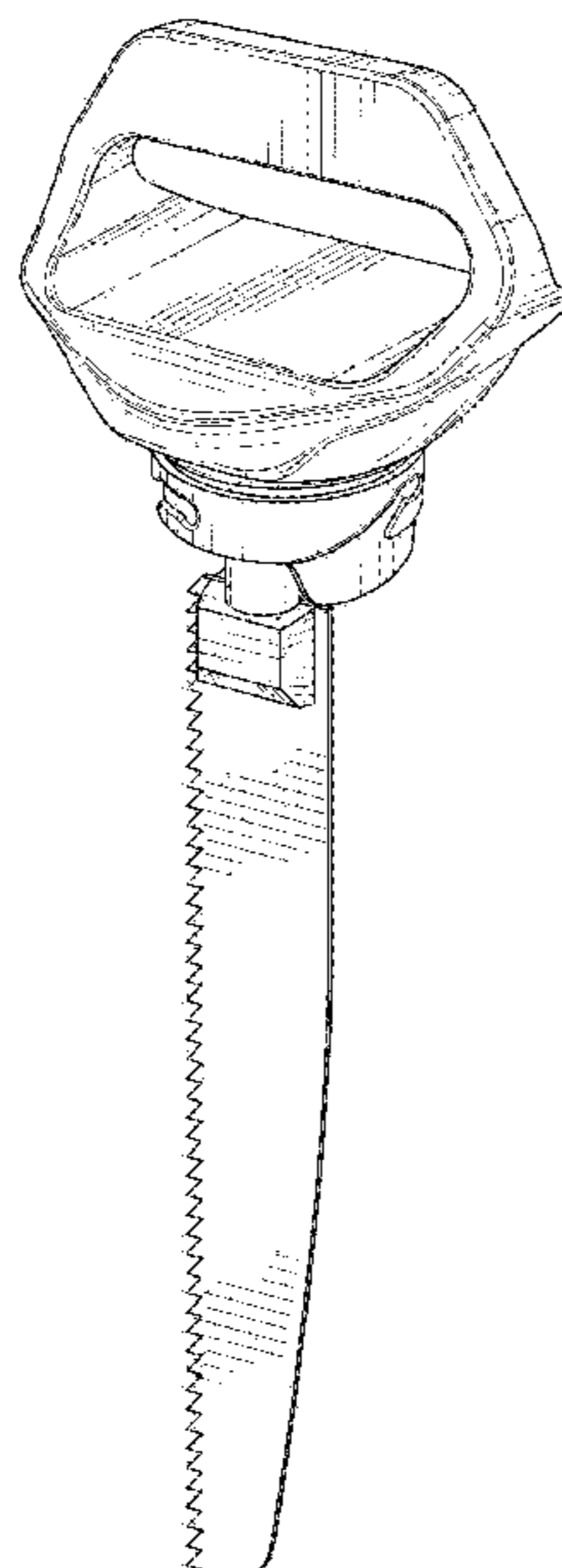
(57) **CLAIM**

The ornamental design for a bottle cap, as shown and described.

**DESCRIPTION**

FIG. 1 is a top, front, right perspective view of a bottle cap showing our new design;  
FIG. 2 is a front view thereof;  
FIG. 3 is a rear view thereof;  
FIG. 4 is a right side view thereof;  
FIG. 5 is a left side view thereof;  
FIG. 6 is a top view thereof;  
FIG. 7 is a bottom view thereof; and,  
FIG. 8 is a bottom, rear, left perspective view thereof.

**1 Claim, 7 Drawing Sheets**



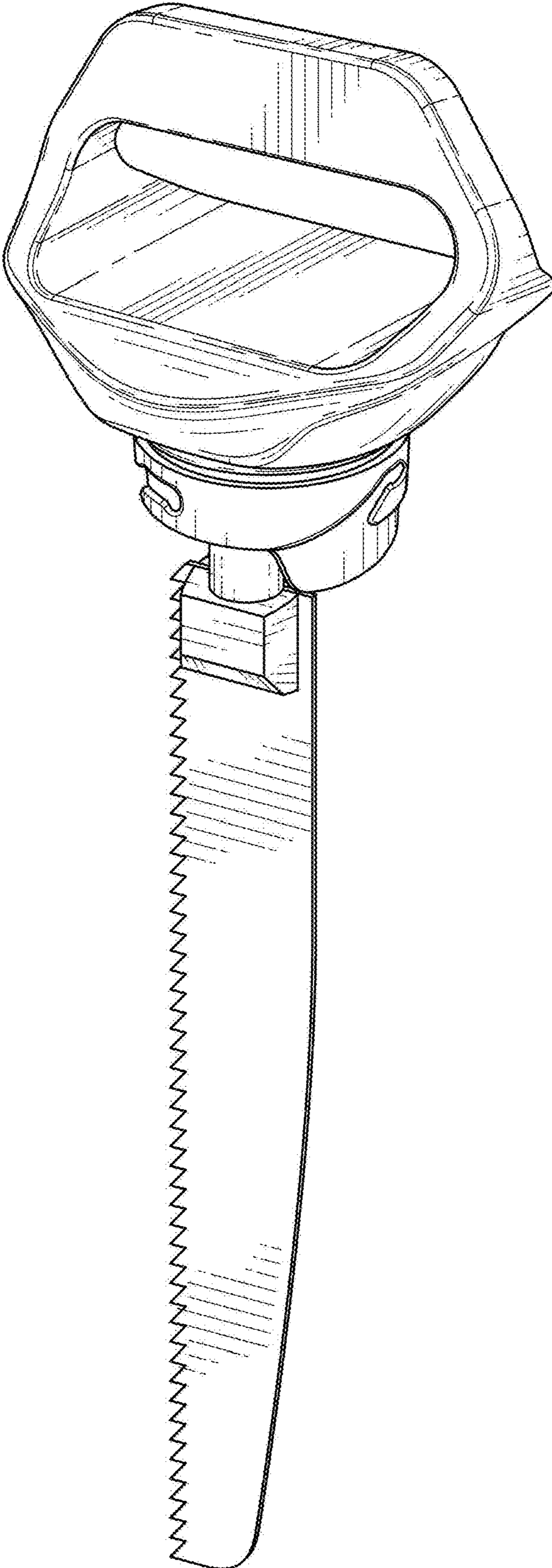


FIG. 1

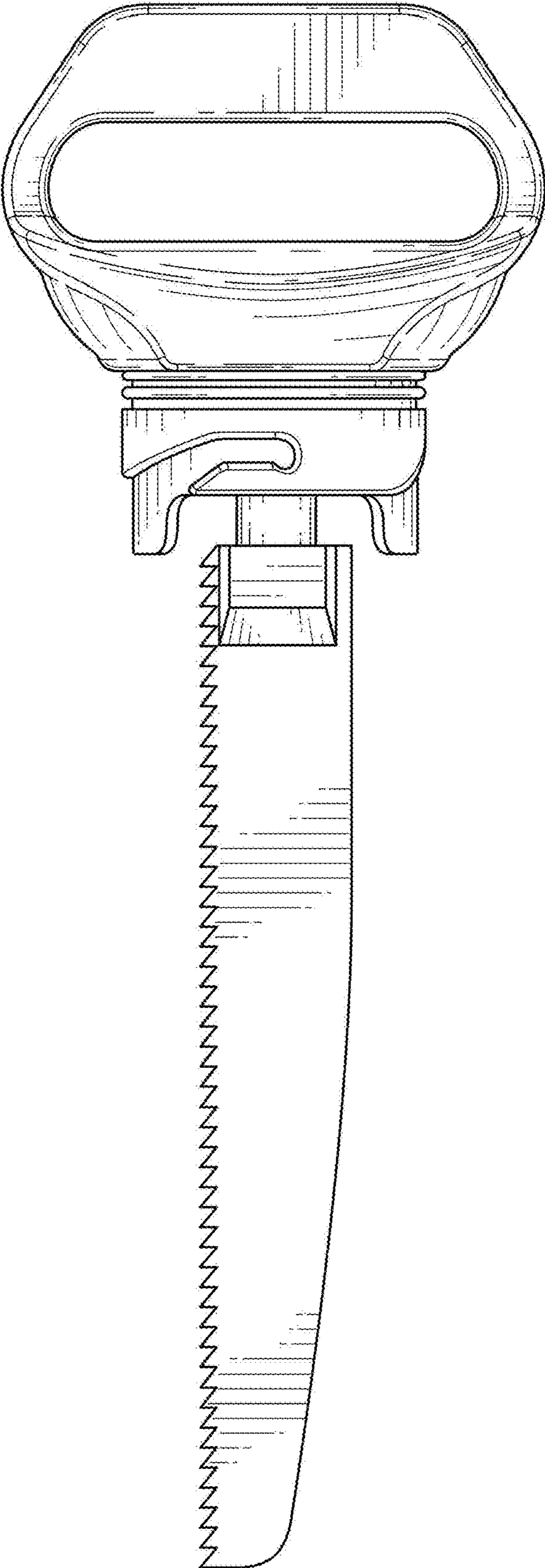


FIG. 2

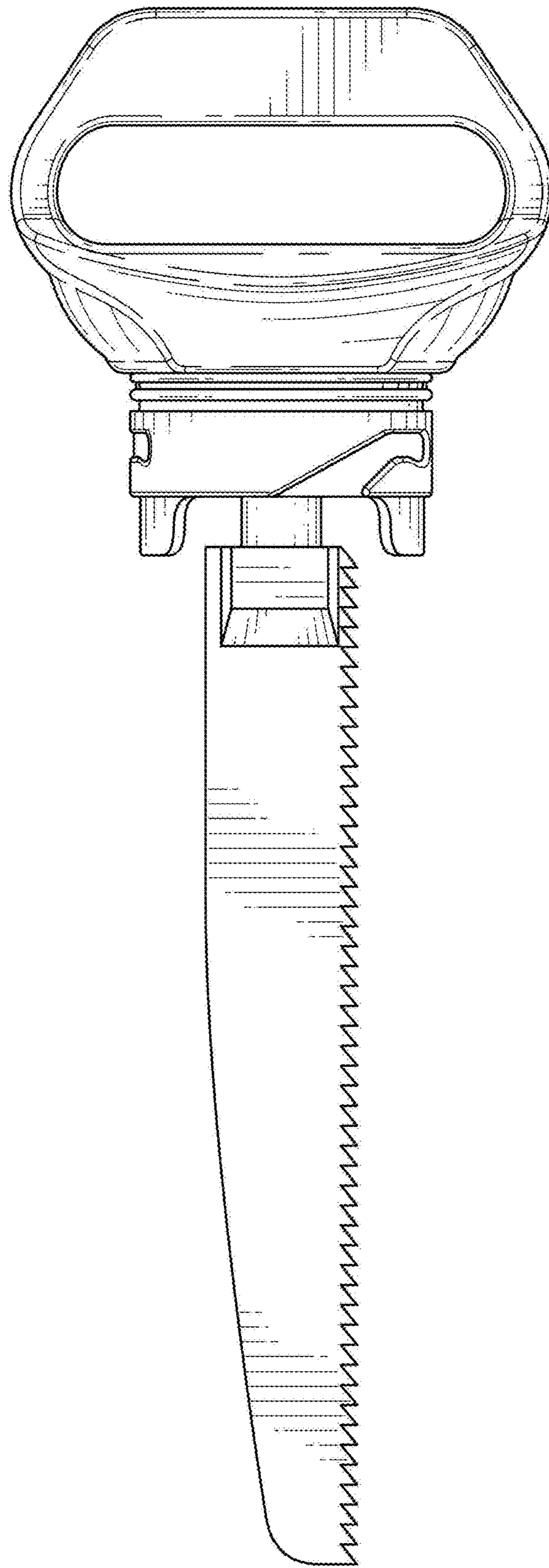


FIG. 3

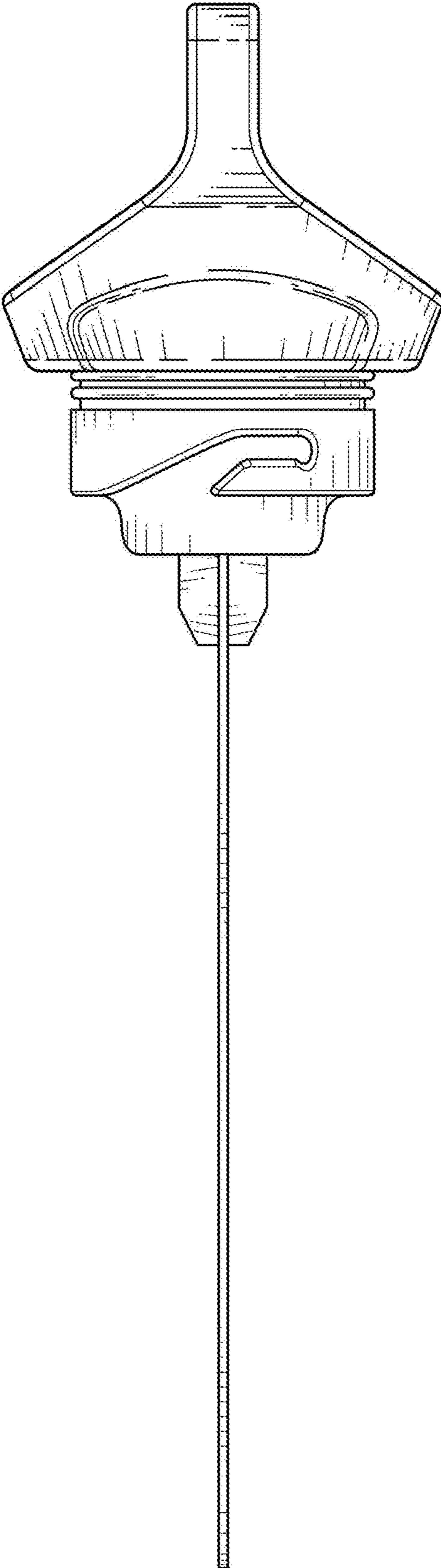


FIG. 4

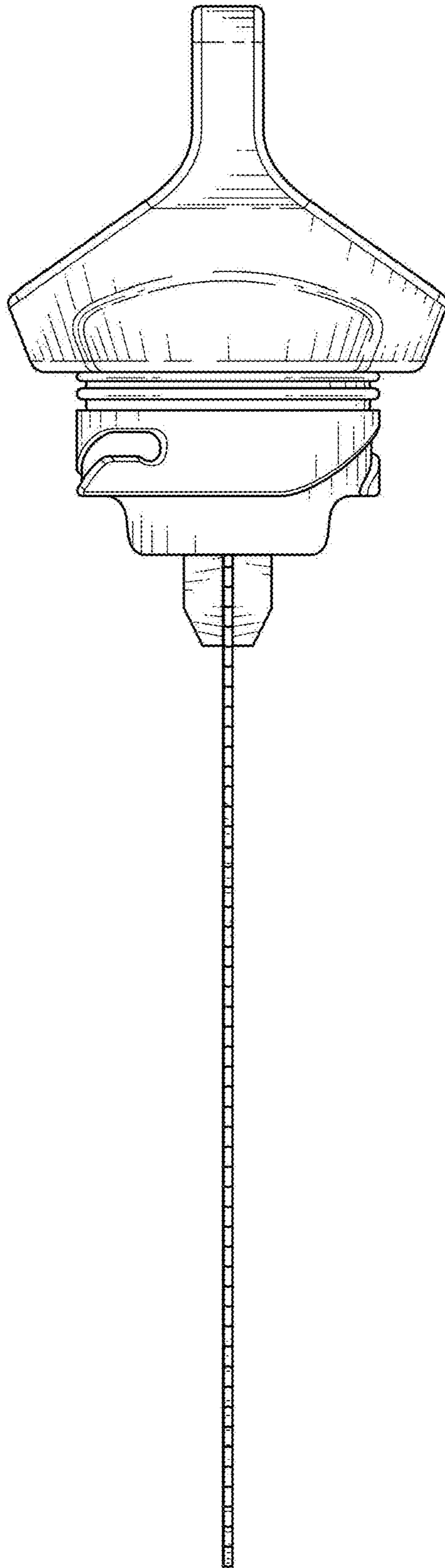


FIG. 5

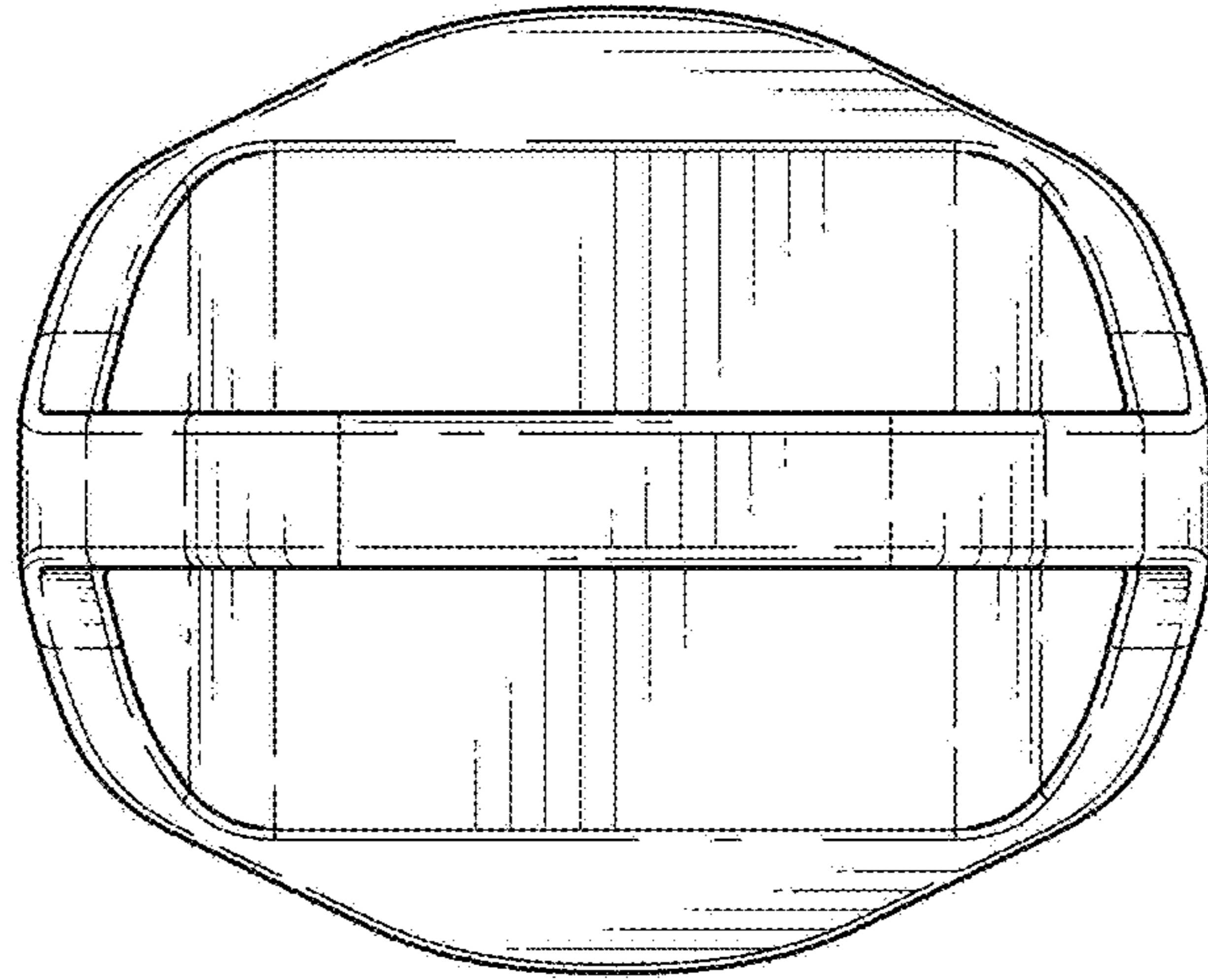


FIG. 6

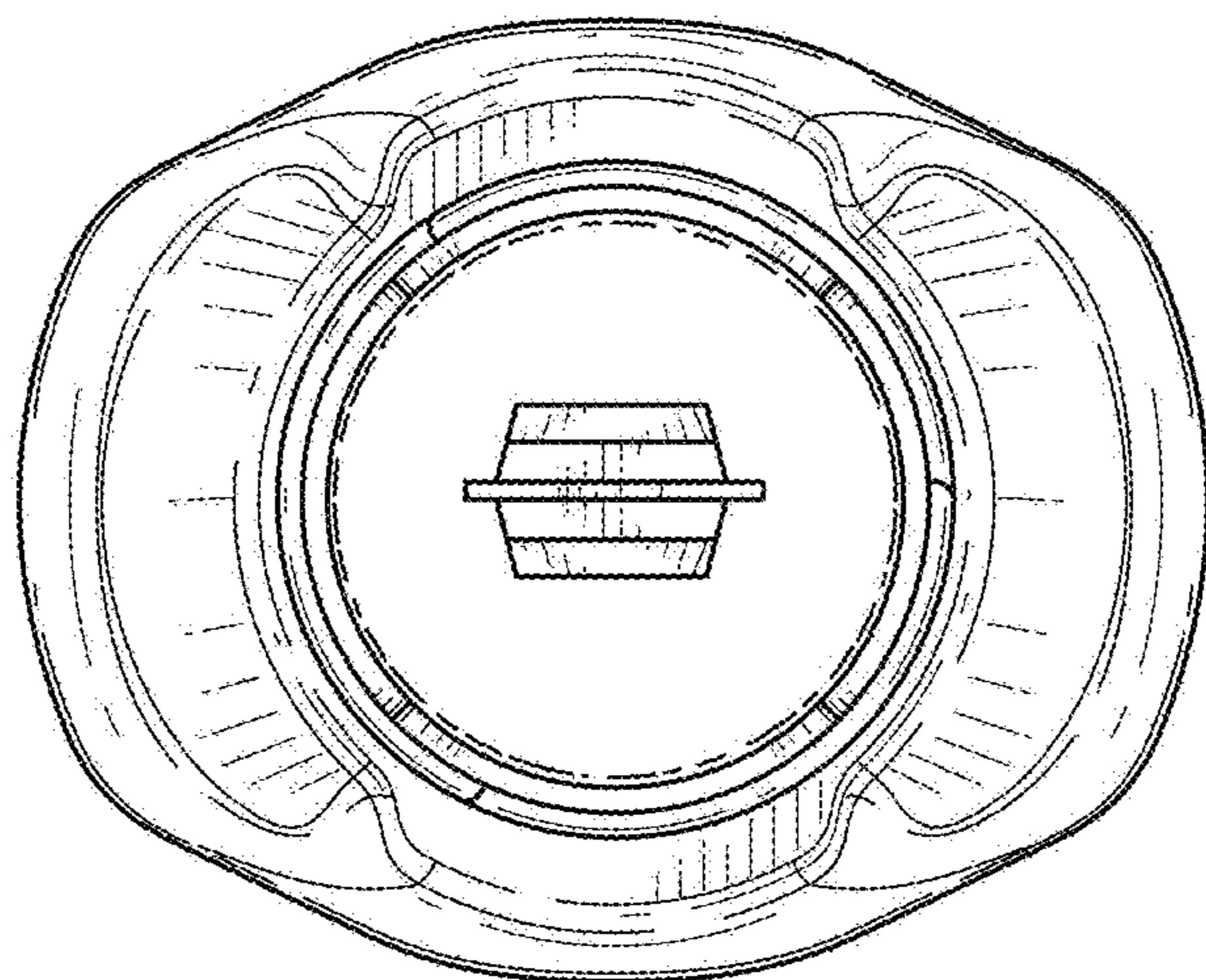


FIG. 7

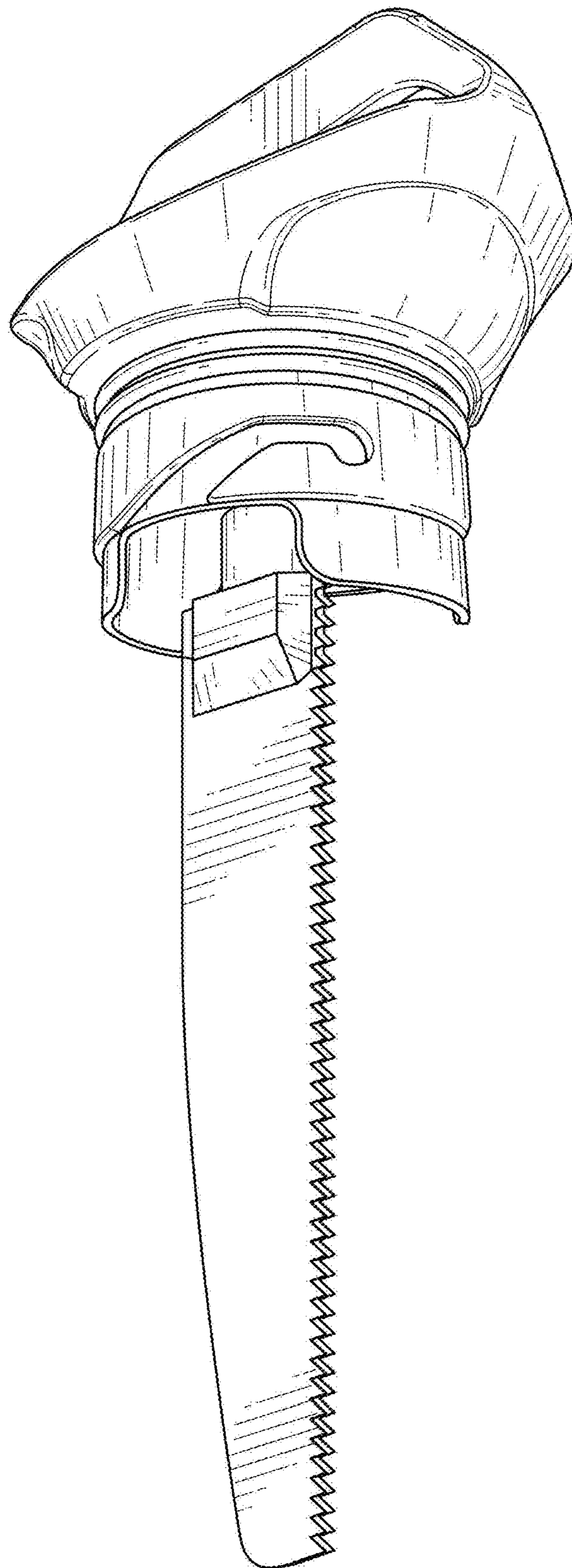


FIG. 8