



US00D920777S

(12) **United States Design Patent** (10) **Patent No.:** **US D920,777 S**
Dominion et al. (45) **Date of Patent:** **** Jun. 1, 2021**

(54) **CONTAINER**
(71) Applicant: **D6 Inc.**, Portland, OR (US)
(72) Inventors: **Ed Dominion**, Portland, OR (US);
Martin Troudt, Wood Village, OR
(US); **Ben McGregor**, Portland, OR
(US)
(73) Assignee: **D6 Inc.**, Portland, OR (US)

D478,812 S * 8/2003 Hobbs D9/756
D479,441 S * 9/2003 Whitworth D7/629
D494,468 S * 8/2004 Vovan D9/428
D510,843 S * 10/2005 Vovan D7/543
D511,437 S * 11/2005 Brown D7/566
D512,877 S * 12/2005 Vovan D7/602
D539,137 S * 3/2007 Lin D9/429
D543,787 S * 6/2007 Wasserman D7/565
D545,627 S 7/2007 Chatterton
D673,849 S 1/2013 Barbier
D705,051 S 5/2014 Cassens

(Continued)

(**) Term: **15 Years**

Primary Examiner — Janice Patyk

(21) Appl. No.: **29/668,490**

(74) *Attorney, Agent, or Firm* — Stoel Rives LLP

(22) Filed: **Oct. 30, 2018**

(57) **CLAIM**

The ornamental design for a container, as shown and described.

Related U.S. Application Data

DESCRIPTION

(63) Continuation-in-part of application No. 29/639,616, filed on Mar. 7, 2018.

(51) **LOC (13) Cl.** **09-03**

(52) **U.S. Cl.**
USPC **D9/425**

(58) **Field of Classification Search**
USPC D7/400, 601, 608; D9/416, 417, 420,
D9/425–429, 430, 432, 761; 206/499,
206/501, 502, 821; 220/625, 656, 669,
220/670, 674; 229/123.1, 123.2, 125.33,
229/125.35, 400–407, 915, 939
CPC . B65D 1/26; B65D 1/40; B65D 5/243; B65D
81/3453; B65D 2581/34; B65D
2581/3404; B65D 2581/3456
See application file for complete search history.

FIG. 1 is a front, top perspective view of a container showing our new design;
FIG. 2 is a front elevational view of the container;
FIG. 3 is a rear elevational view of the container;
FIG. 4 is a right side elevational view of the container;
FIG. 5 is a left side elevational view of the container;
FIG. 6 is a top plan view of the container;
FIG. 7 is a bottom plan view of the container;
FIG. 8 is a rear, bottom perspective view of the container;
FIG. 9 is a front perspective view of the container, shown with an environmental lid; and,
FIG. 10 is an exploded front perspective environmental view of the container, shown with an environmental lid.

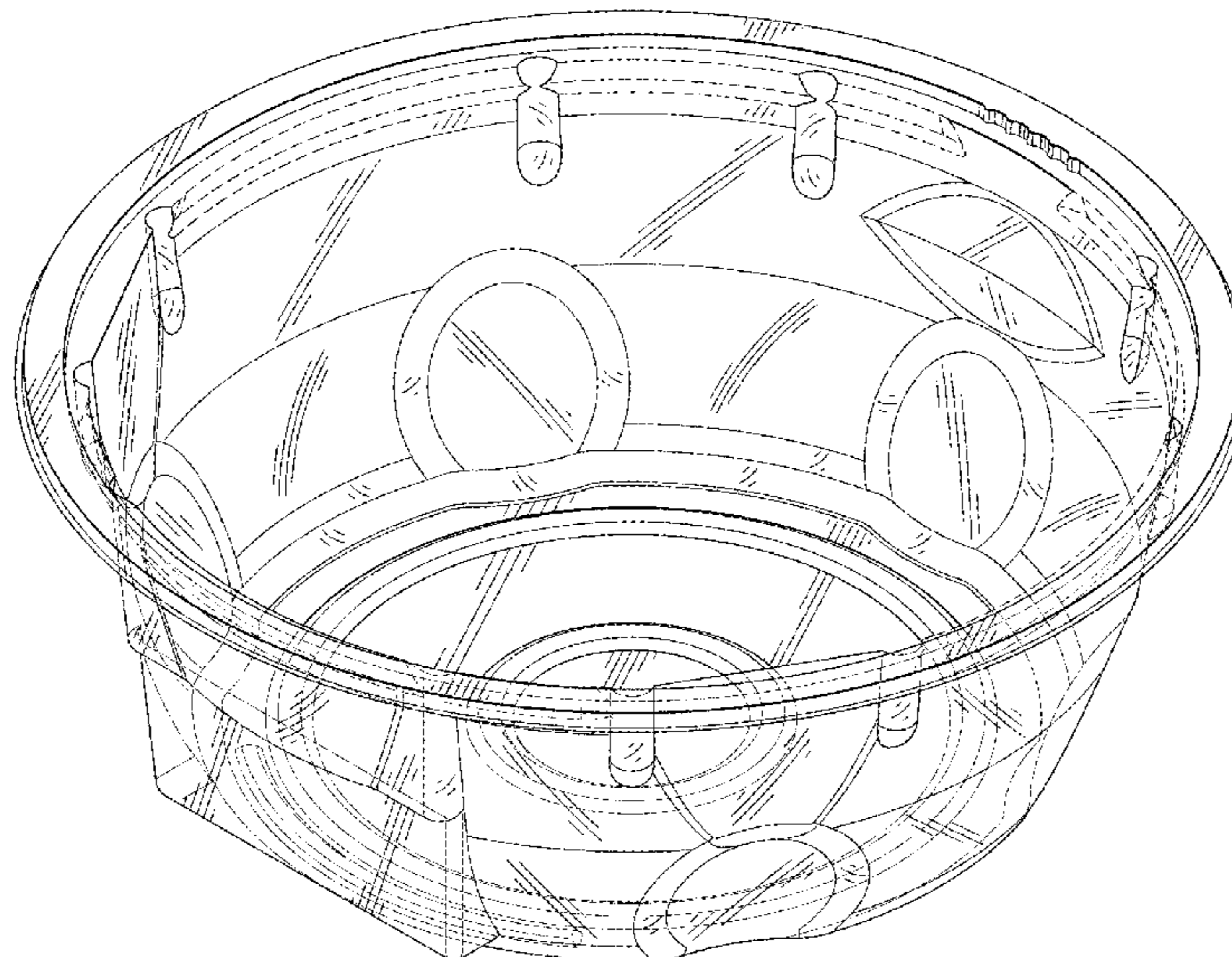
(56) **References Cited**

U.S. PATENT DOCUMENTS

D414,413 S * 9/1999 Brown D9/425
D420,285 S * 2/2000 Sagan D9/428
D433,334 S * 11/2000 Hayes D9/452
D466,365 S * 12/2002 Brown D7/392.1

The broken lines in the figures illustrate the portion of the design that form no part of the claimed design.
The broken line lid of FIGS. 9 and 10 illustrate environmental subject matter that form no part of the claimed design.
None of the broken lines form any part of the claimed design.

1 Claim, 8 Drawing Sheets



(56)

References Cited

U.S. PATENT DOCUMENTS

D795,059 S * 8/2017 Buck D9/428
2010/0147848 A1 6/2010 Rider, Jr.

* cited by examiner

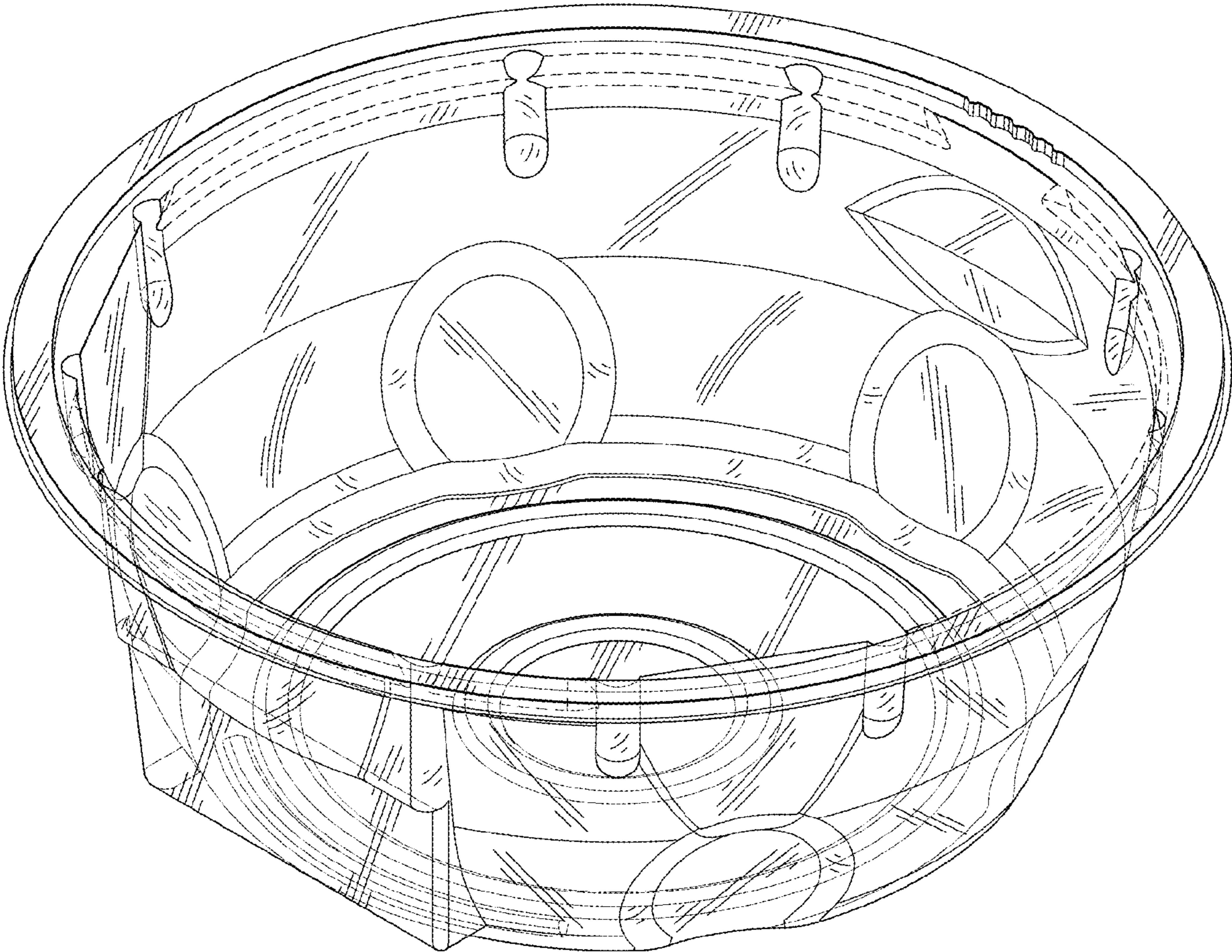


FIG. 1

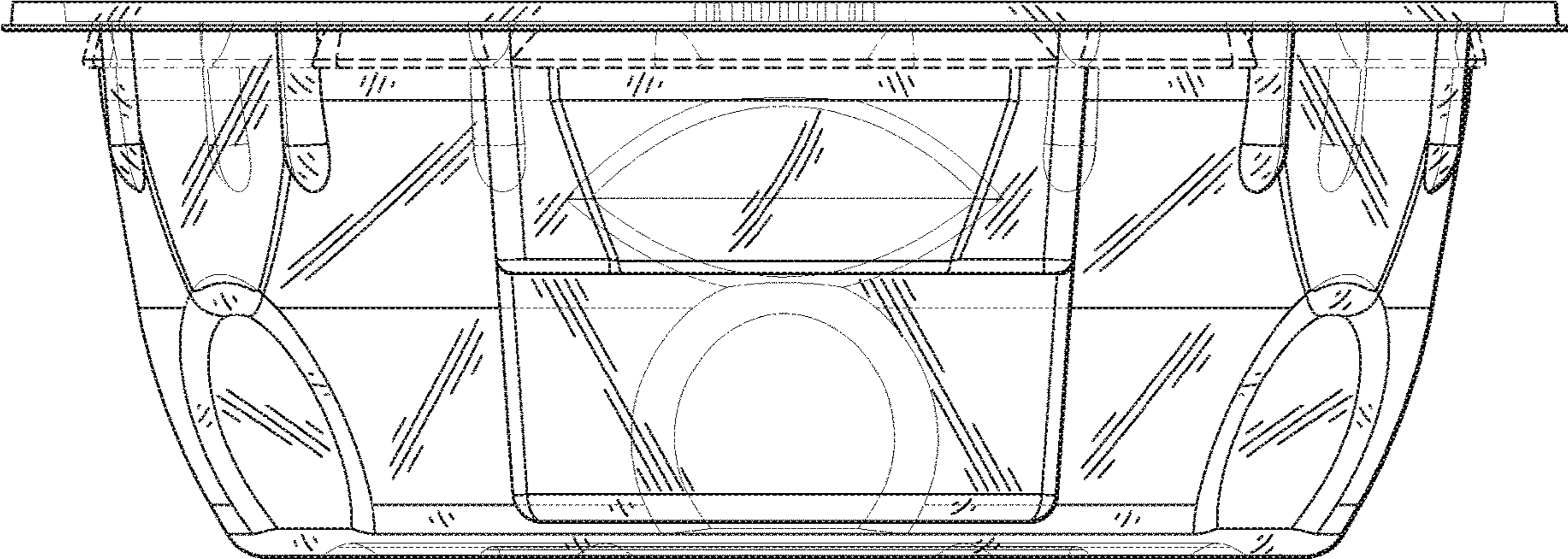


FIG. 2

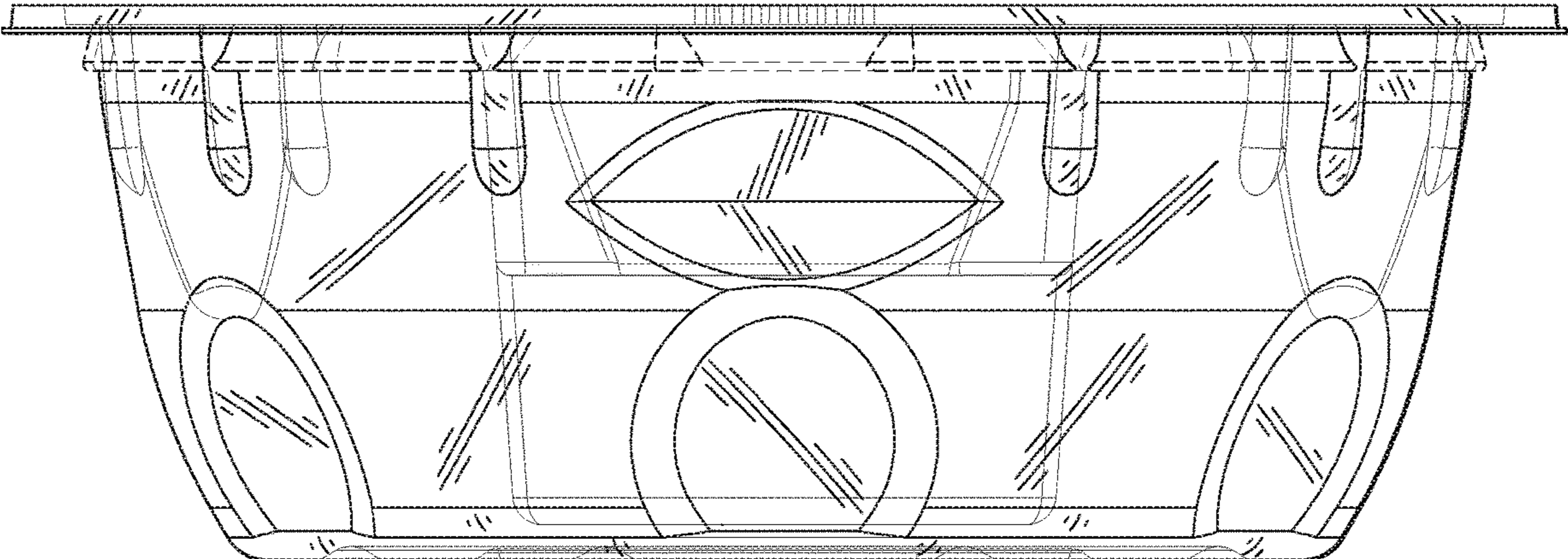


FIG. 3

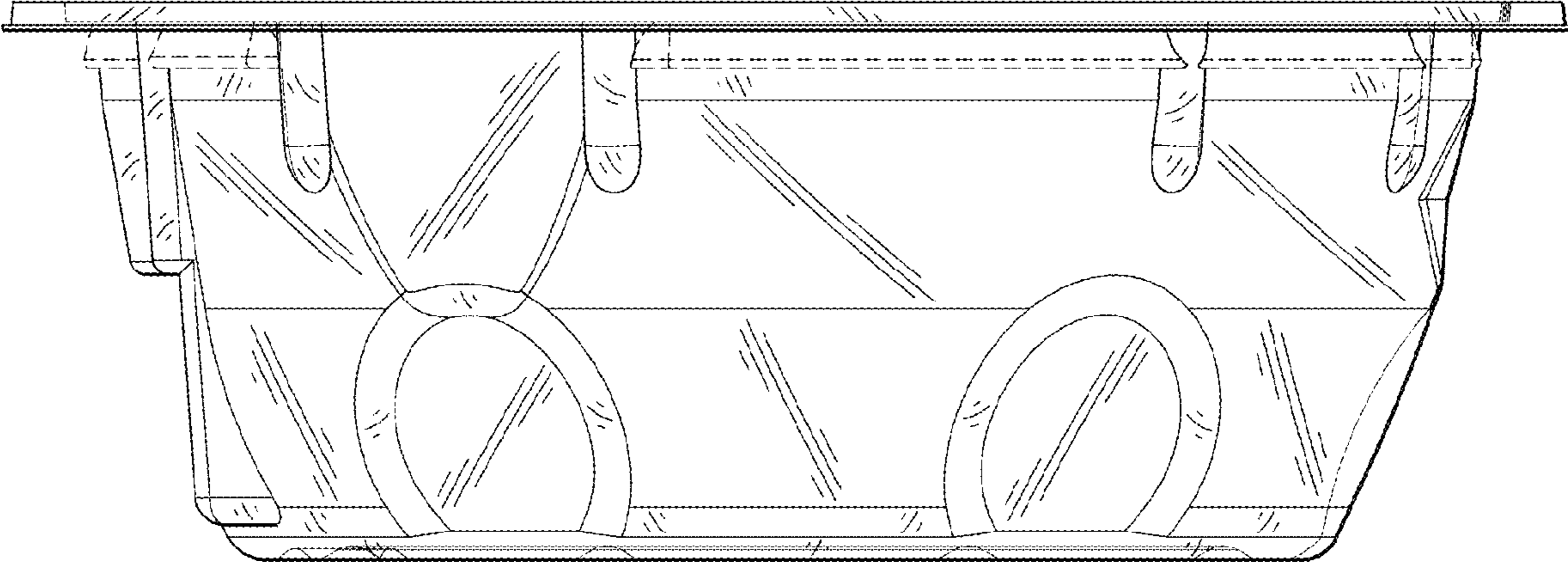


FIG. 4

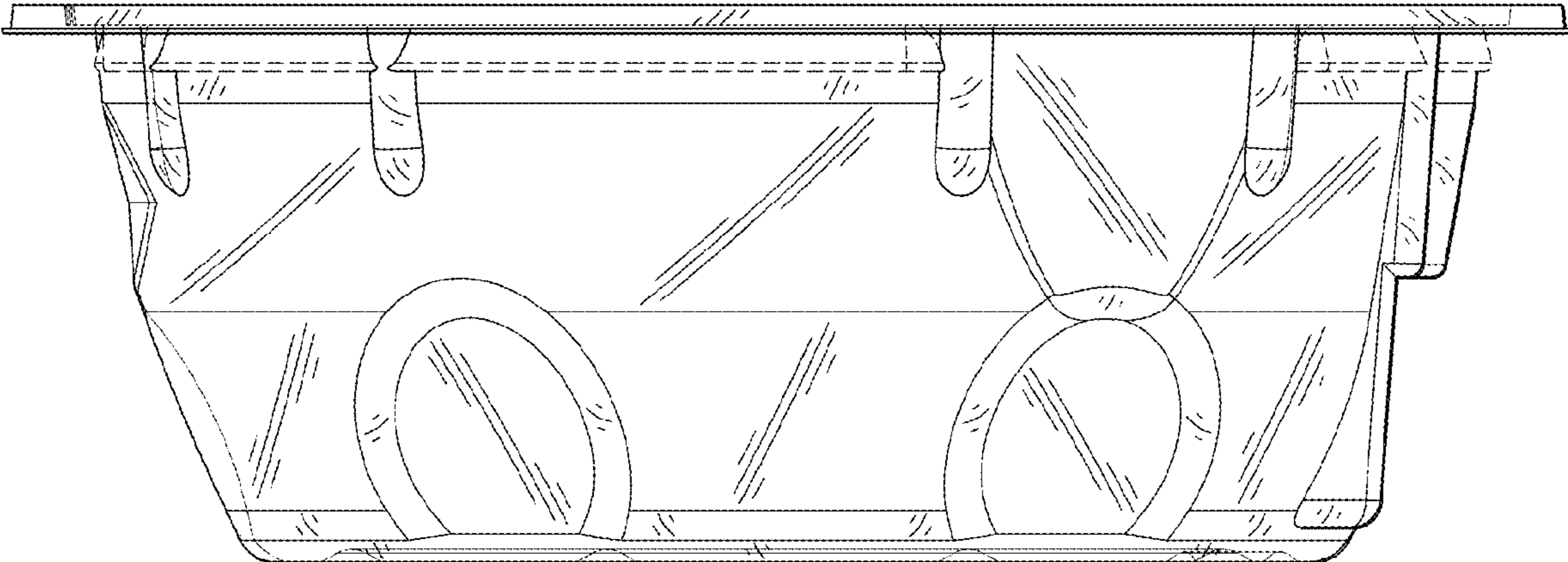


FIG. 5

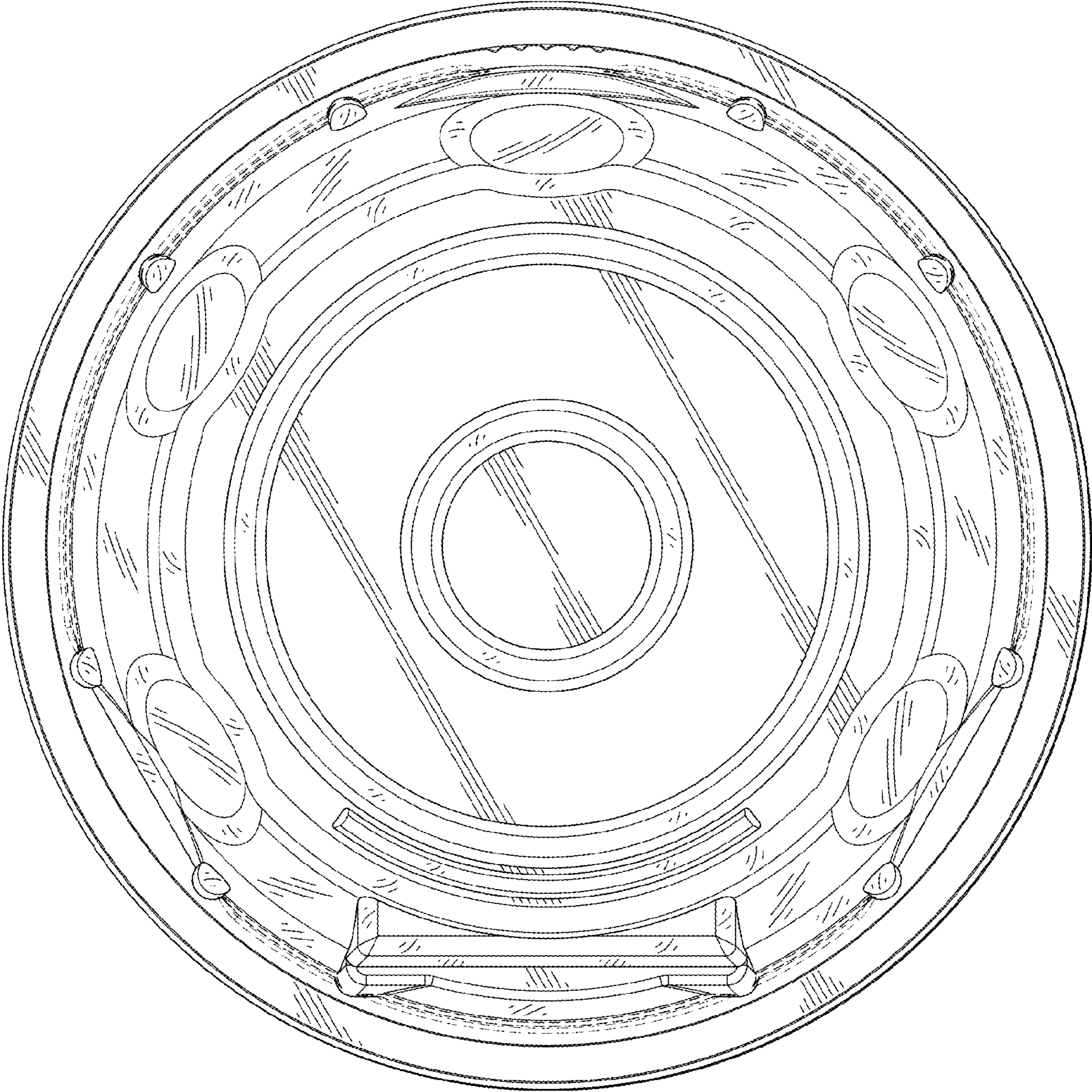


FIG. 6

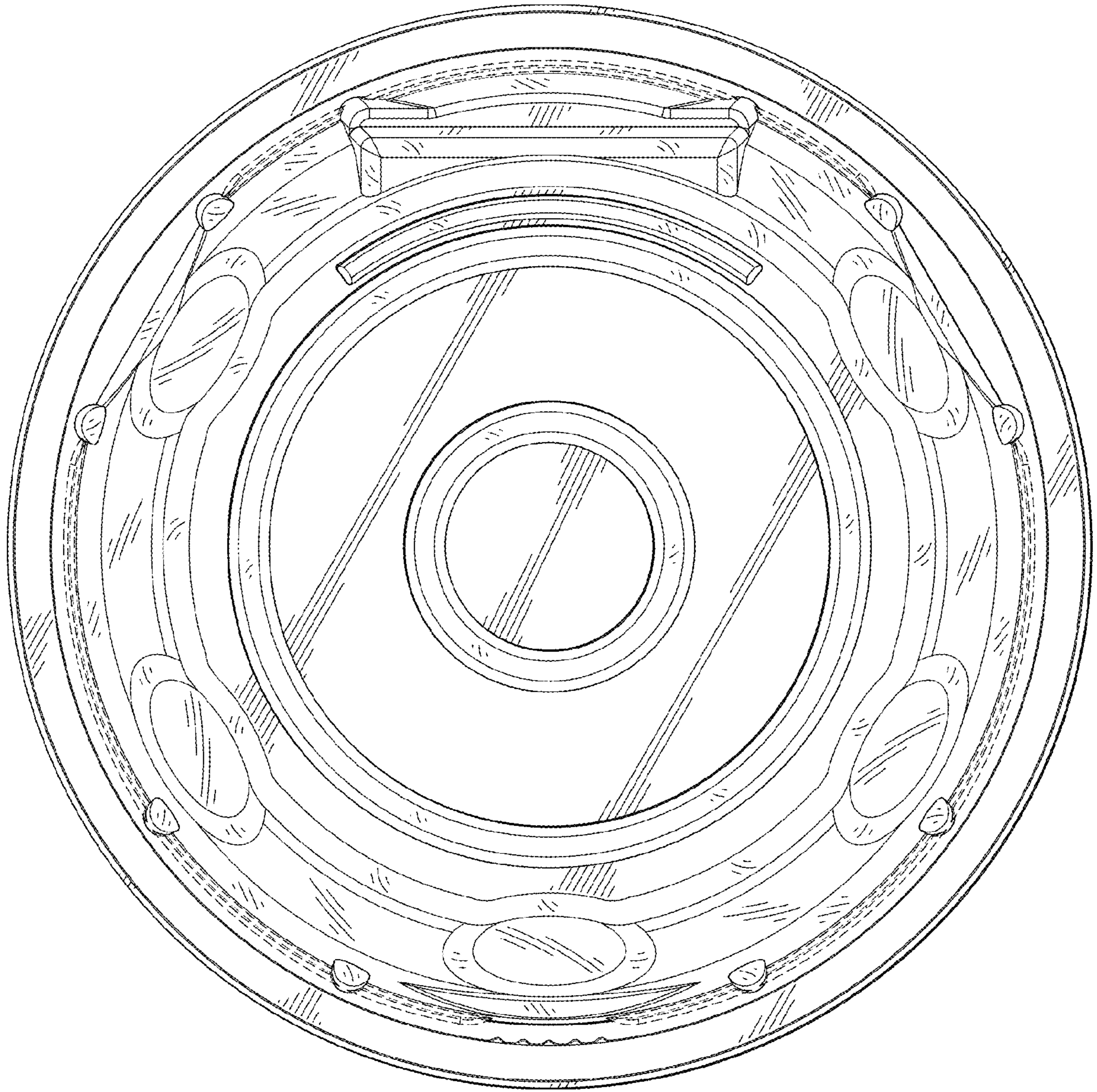


FIG. 7

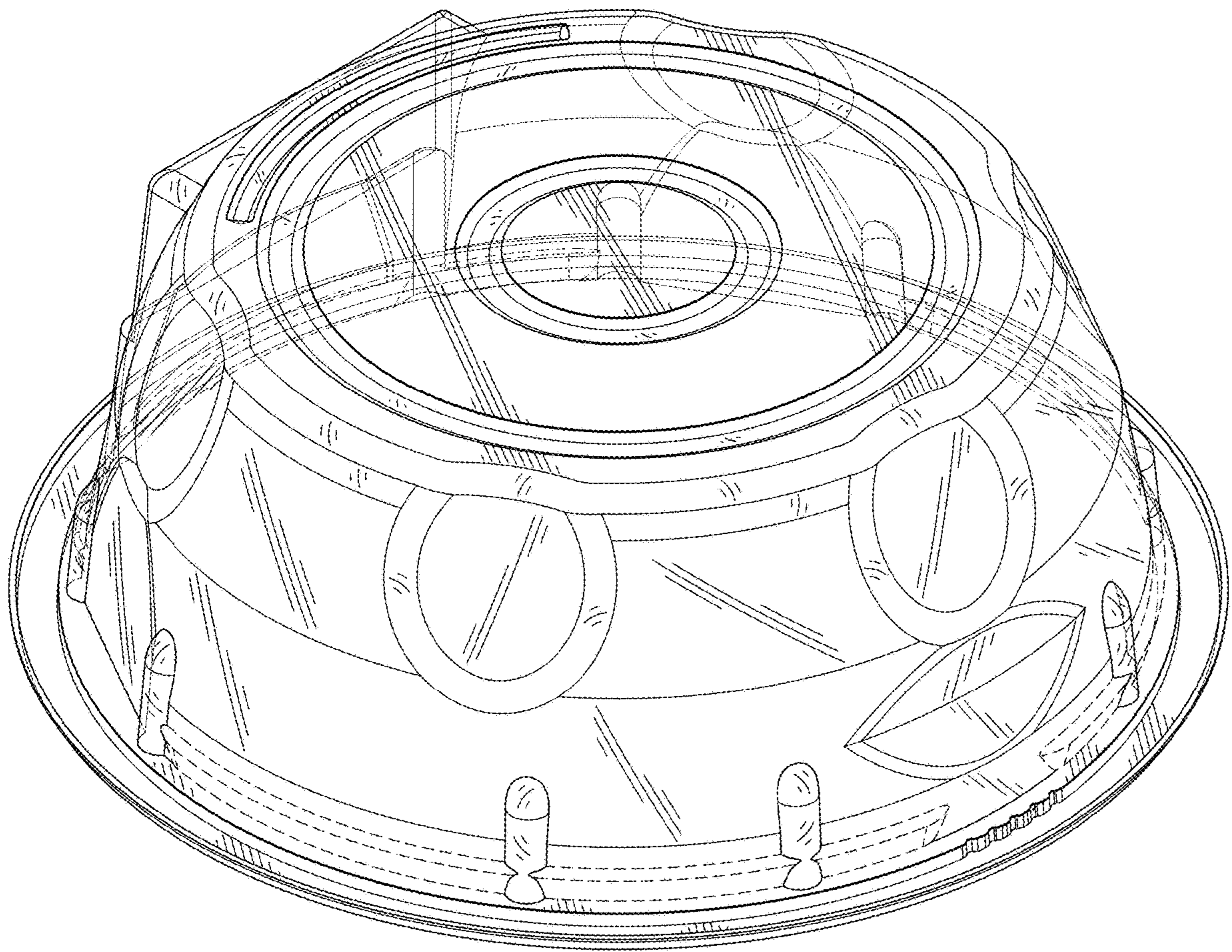


FIG. 8

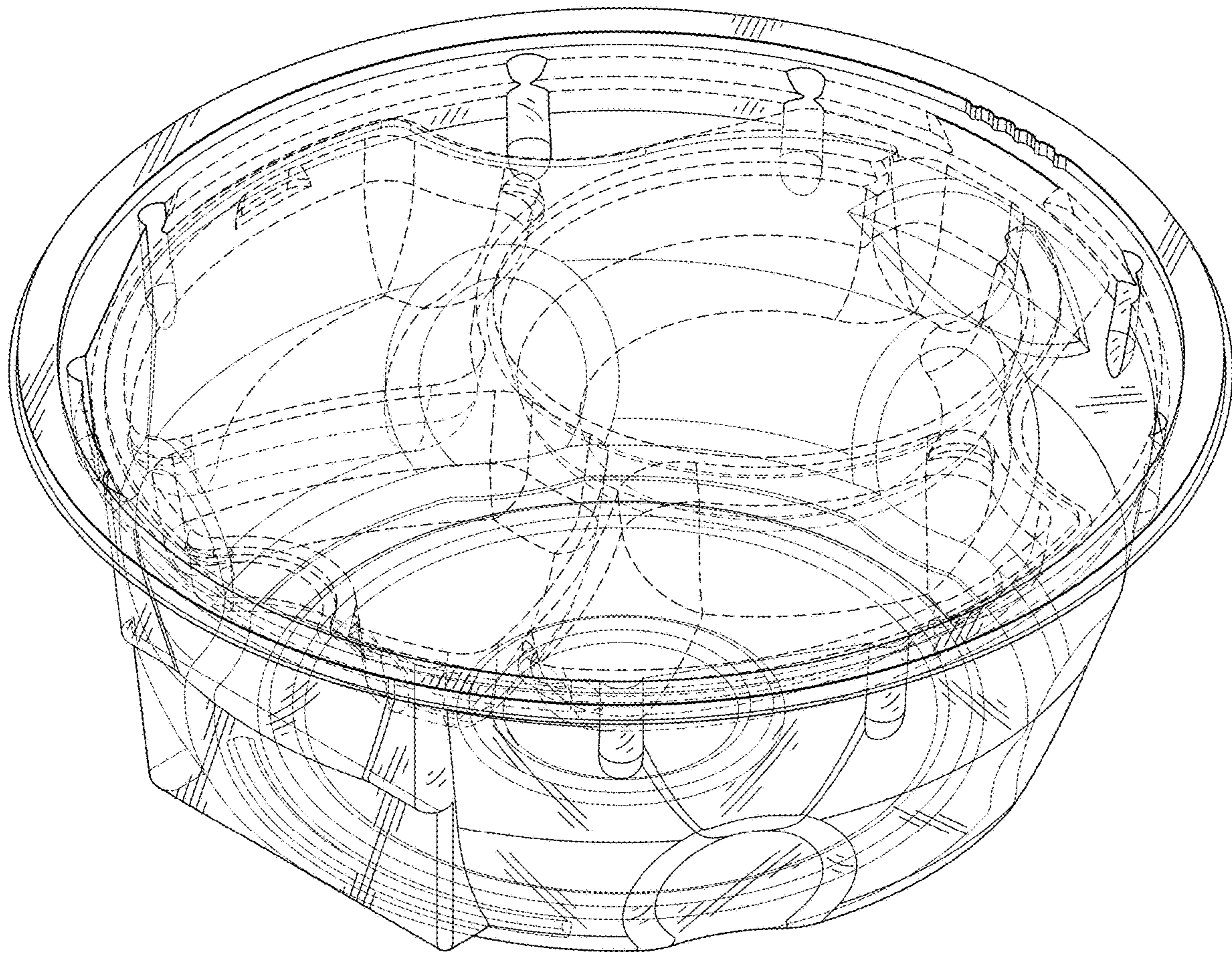


FIG. 9

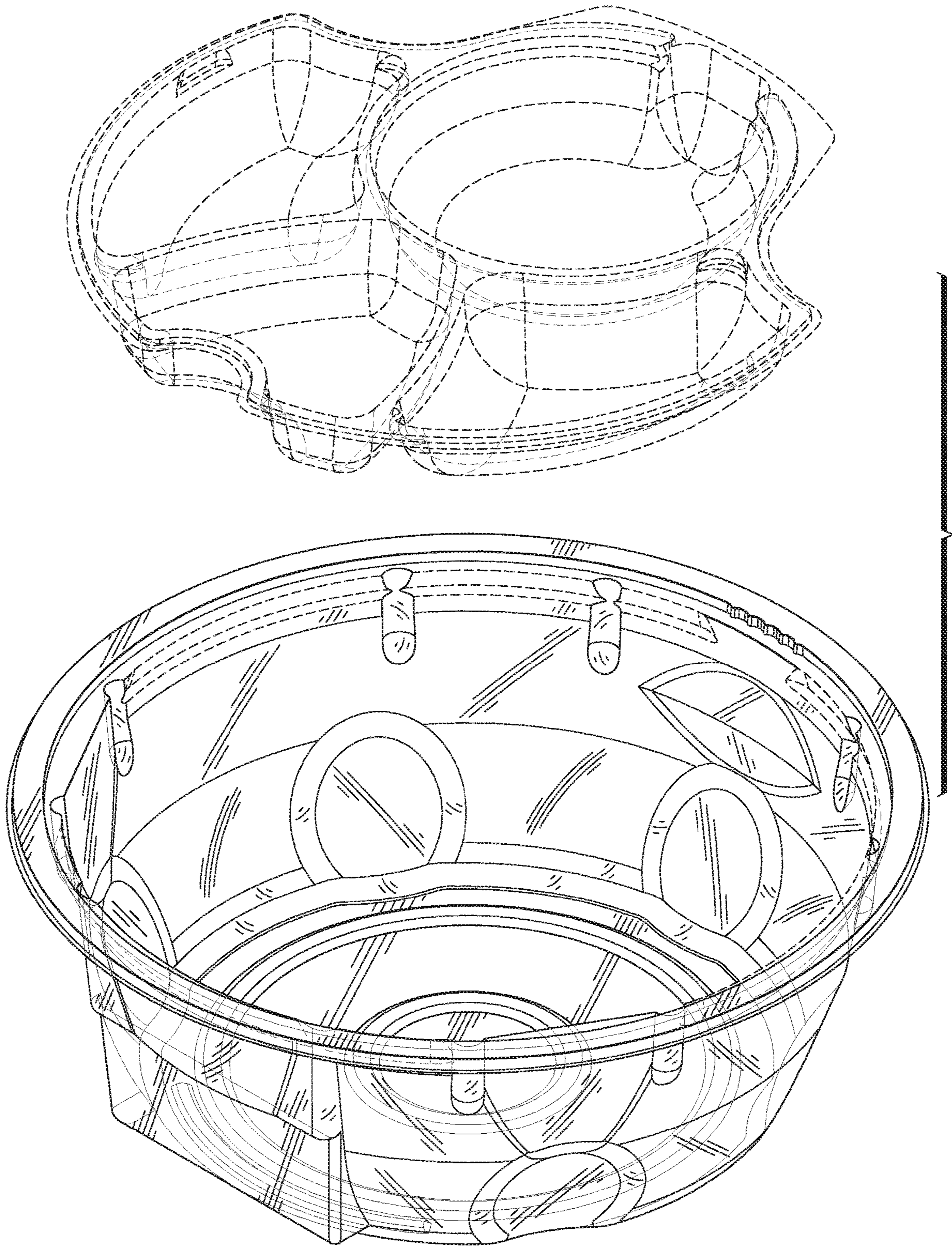


FIG. 10