



US00D920776S

(12) **United States Design Patent** (10) **Patent No.:** **US D920,776 S**  
**Al-Bayati et al.** (45) **Date of Patent:** **\*\* Jun. 1, 2021**

(54) **DOSAGE CONTAINER**  
(71) Applicant: **Reckitt Benckiser Finish B.V.**,  
Hoofddorp (NL)  
(72) Inventors: **Alias Younis Al-Bayati**, Heidelberg  
(DE); **Claudia Schmaelzle**, Heidelberg  
(DE); **Daniel Godfrey**, Cambridge  
(GB); **Scott Virgo**, Cambridge (GB)  
(73) Assignee: **RECKITT BENCKISER FINISH**  
**B.V.**, Hoofddorp (NL)  
(\*\*) Term: **15 Years**  
(21) Appl. No.: **29/707,294**  
(22) Filed: **Sep. 27, 2019**

(30) **Foreign Application Priority Data**  
Mar. 28, 2019 (EM) ..... 006351656-0001  
(51) **LOC (13) Cl.** ..... **09-03**  
(52) **U.S. Cl.**  
USPC ..... **D9/420**  
(58) **Field of Classification Search**  
USPC ..... D9/414, 415, 419, 420-424, 430, 431,  
D9/678, 730, 731, 733, 782; D3/201,  
D3/203.1, 203.2, 203.3, 203.4, 207, 294,  
D3/302; D27/139, 140, 141, 142, 143,  
D27/144, 165, 173; D28/61, 76, 99;  
D24/221, 231; D14/323; D13/108;  
D19/26; D23/367  
CPC .... A61J 1/03; A61J 7/04; A61J 7/0076; A61J  
7/0436; A61J 7/0454; A61J 1/1412; A47G  
19/2216; A24F 47/002; A24F 47/008;  
B65D 43/162  
See application file for complete search history.

(56) **References Cited**  
U.S. PATENT DOCUMENTS  
D338,727 S \* 8/1993 Rand ..... D13/168  
D369,829 S \* 5/1996 Tomita ..... D19/26

D406,496 S \* 3/1999 Medina ..... D7/629  
D436,434 S \* 1/2001 Conway ..... D3/203.5  
D449,521 S \* 10/2001 Pinkus ..... D9/423  
D509,732 S \* 9/2005 Staples ..... D9/782  
D534,067 S \* 12/2006 Tanner ..... D9/420  
D547,189 S \* 7/2007 Legros ..... D9/521  
D547,488 S \* 7/2007 Franz ..... D27/141  
D569,720 S \* 5/2008 Lablaine ..... D9/420  
D578,385 S \* 10/2008 Ancona ..... D9/423  
D611,806 S \* 3/2010 Bried ..... D9/420  
D672,642 S \* 12/2012 Supranowicz ..... D9/420  
D676,315 S \* 2/2013 Widdison ..... D9/420  
D698,459 S \* 1/2014 Chan ..... D24/224  
D716,997 S \* 11/2014 Freeland ..... D27/165  
D736,995 S \* 8/2015 Recio ..... D27/141  
D748,467 S \* 2/2016 Angeloni ..... D9/420  
D761,551 S \* 7/2016 Stueckemann ..... D3/203.1  
D762,466 S \* 8/2016 Angeloni ..... D9/420  
D846,380 S \* 4/2019 Giraud ..... D9/420

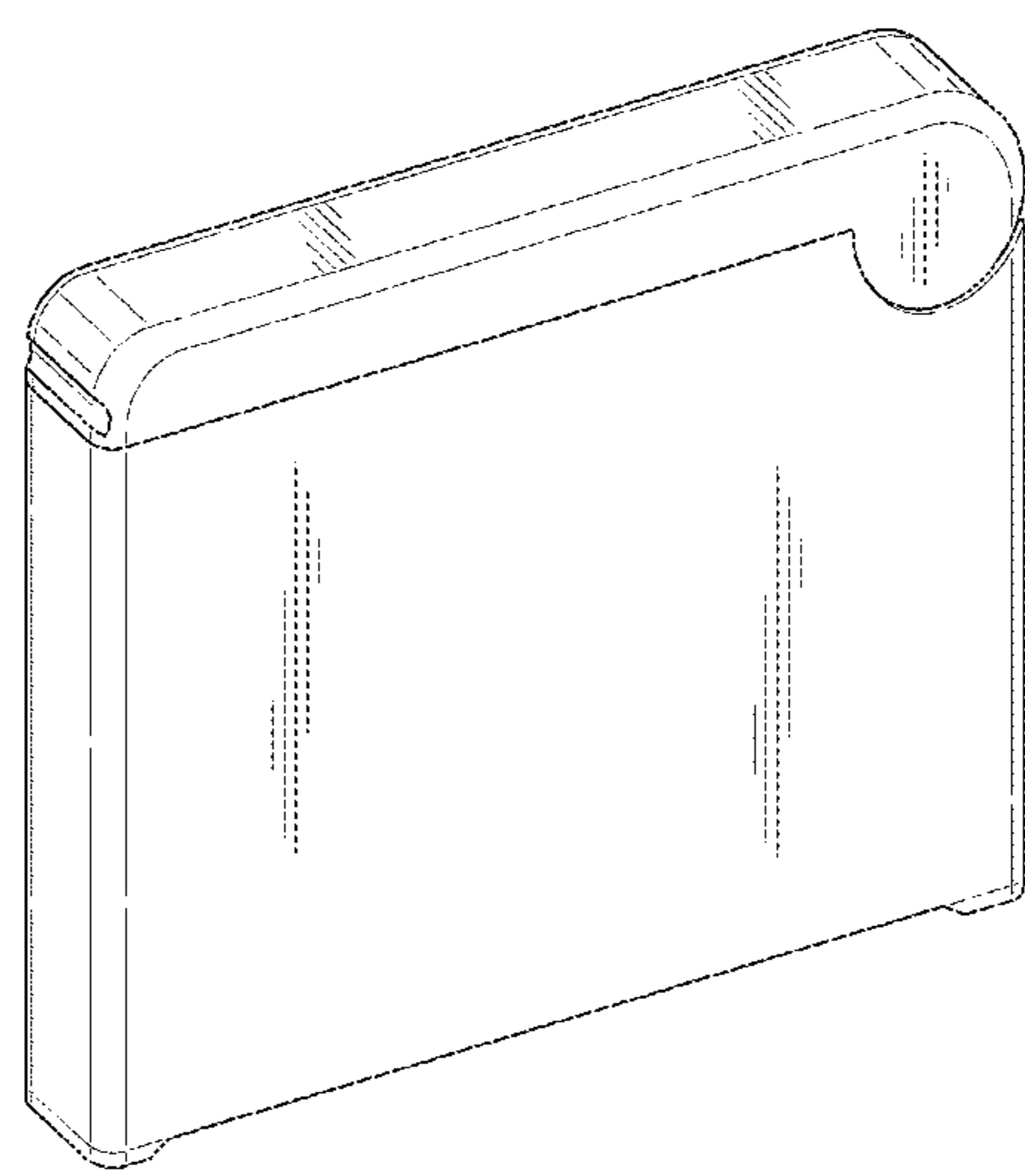
(Continued)

*Primary Examiner* — Sandra Snapp  
*Assistant Examiner* — Mehri Bajoul  
(74) *Attorney, Agent, or Firm* — Troutman Pepper  
Hamilton Sanders LLP; Ryan Schneider; Chris N. Davis

(57) **CLAIM**  
The ornamental design for a dosage container, as shown.

**DESCRIPTION**  
FIG. 1 is a perspective view of our new design for a dosage container;  
FIG. 2 is a right elevation view thereof;  
FIG. 3 is a left side elevation view thereof;  
FIG. 4 is a front elevation view thereof;  
FIG. 5 is a rear side elevation view thereof;  
FIG. 6 is a top plan view thereof; and,  
FIG. 7 is a bottom plan view thereof.

**1 Claim, 5 Drawing Sheets**



(56)

**References Cited**

U.S. PATENT DOCUMENTS

D867,870 S \* 11/2019 Abrams ..... D9/420  
D877,408 S \* 3/2020 Mead ..... D27/162  
D898,347 S \* 10/2020 Lee ..... D3/203.3  
D904,008 S \* 12/2020 Al-Bayati ..... D3/203.2  
2011/0240494 A1 \* 10/2011 Vecchi ..... B65D 85/10564  
206/273  
2013/0248385 A1 \* 9/2013 Scatterday ..... A24F 15/14  
206/86

\* cited by examiner

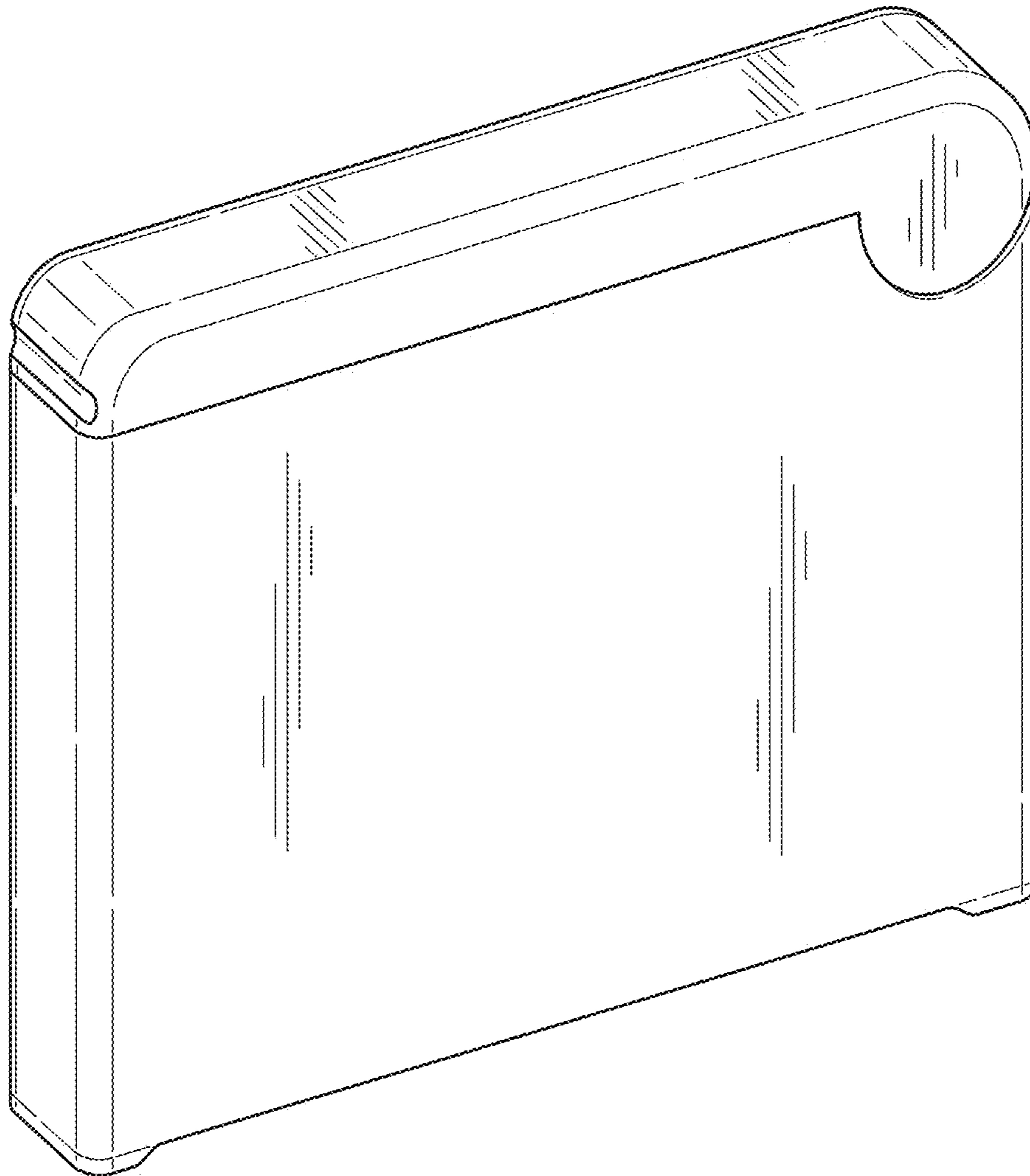


Fig. 1

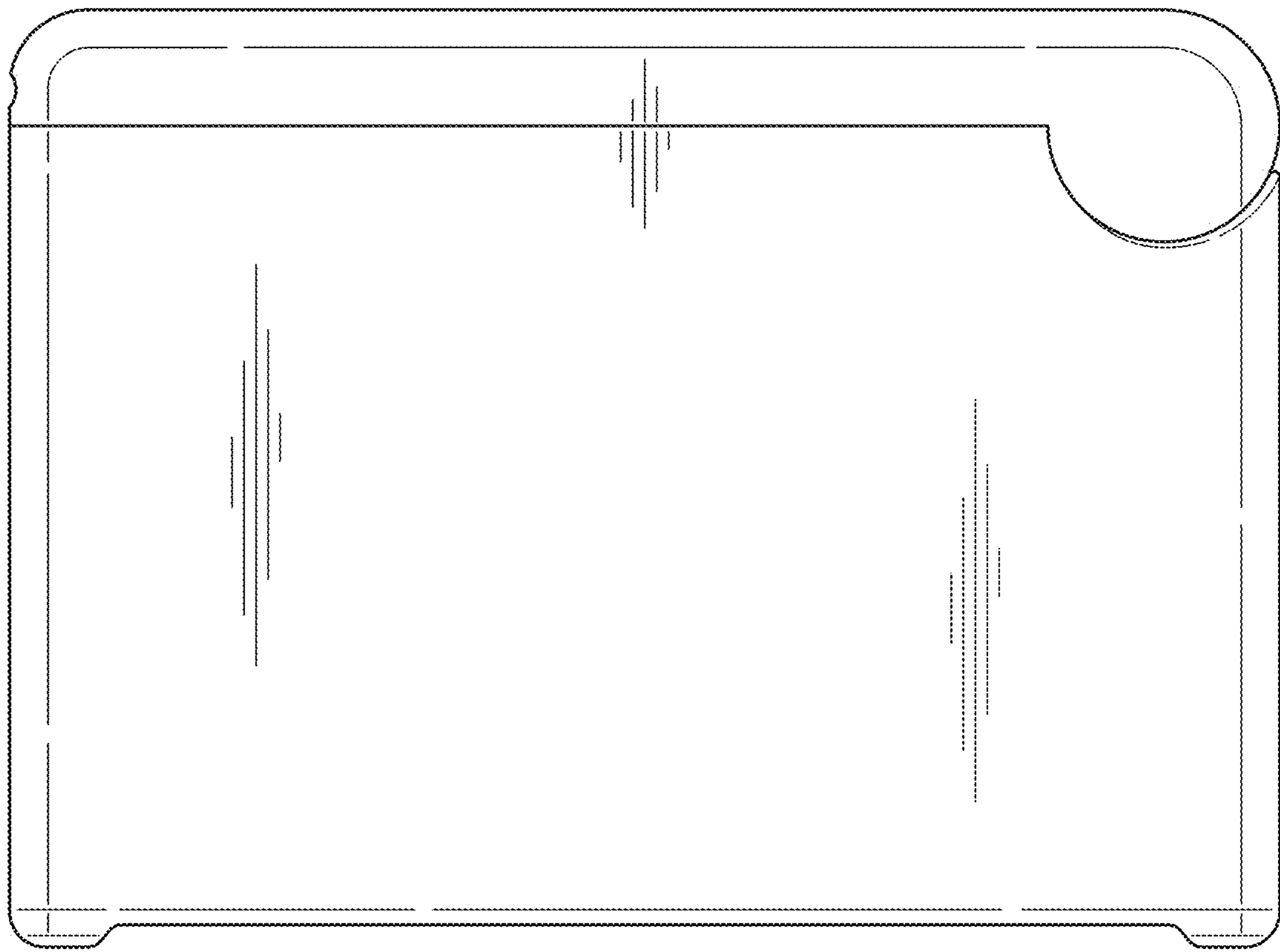


Fig. 2

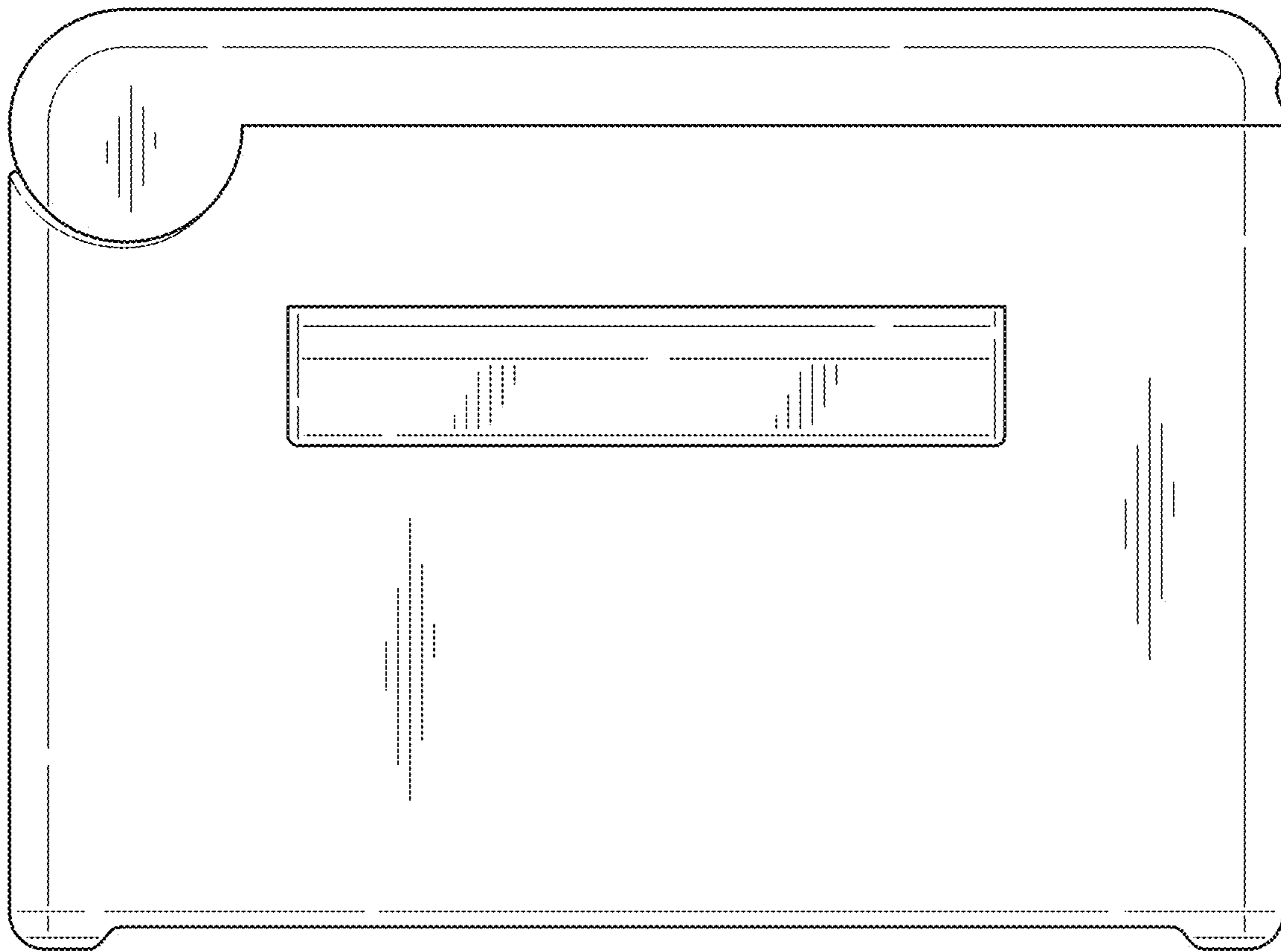


Fig. 3

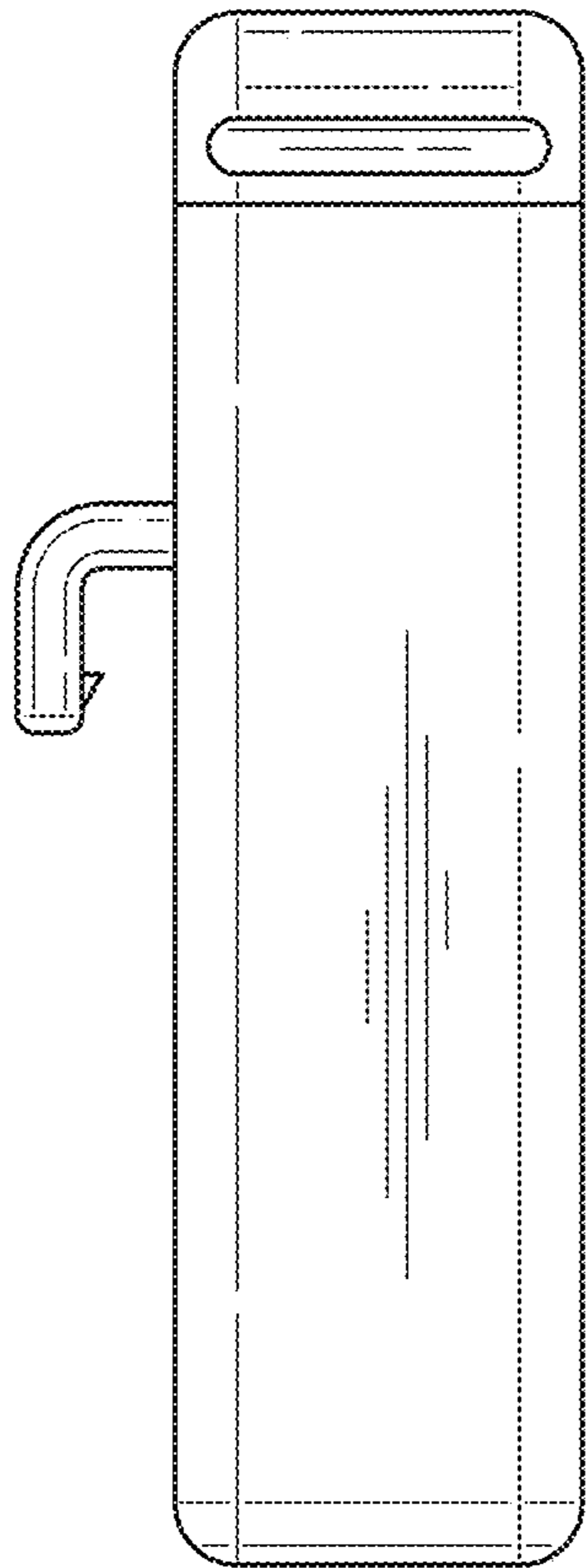


Fig. 4

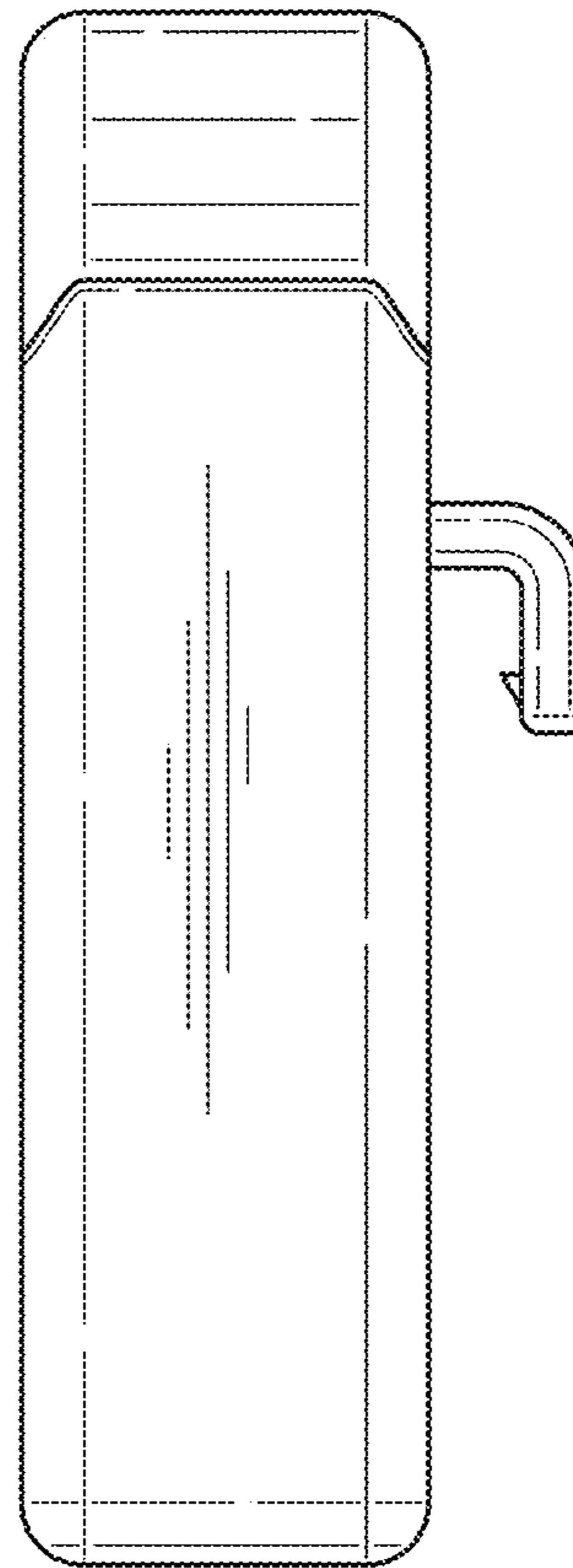


Fig. 5



Fig. 6

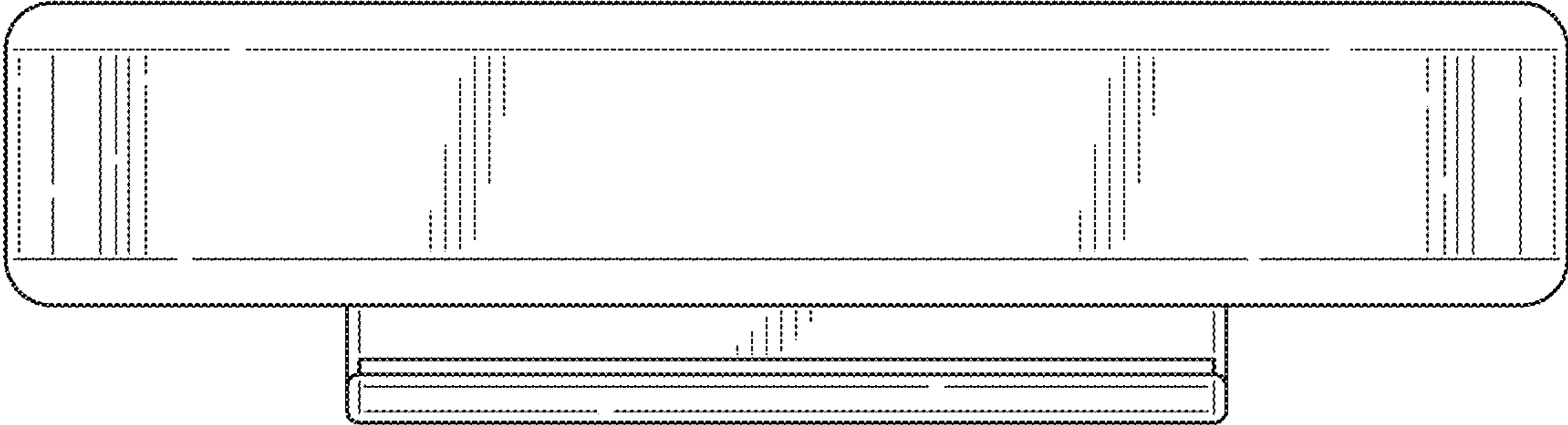


Fig. 7