



US00D920774S

(12) **United States Design Patent**  
**Cobzaru**

(10) **Patent No.:** **US D920,774 S**  
(45) **Date of Patent:** **\*\* Jun. 1, 2021**

(54) **BLIND FASTENER**  
(71) Applicant: **SPS TECHNOLOGIES, LLC,**  
Jenkintown, PA (US)  
(72) Inventor: **Cristinel Cobzaru,** Murrieta, CA (US)  
(73) Assignee: **SPS TECHNOLOGIES, LLC,**  
Jenkintown, PA (US)

D504,313 S \* 4/2005 Stoewer ..... D8/387  
8,777,533 B2 \* 7/2014 Hufnagl ..... F16B 19/1036  
411/55  
8,888,425 B2 \* 11/2014 Pratt ..... F16B 19/1045  
411/34  
D787,924 S \* 5/2017 Baiz ..... D8/387  
9,765,807 B1 \* 9/2017 Watts ..... B60B 3/16  
D803,038 S \* 11/2017 Baker ..... D8/387

(Continued)

(\*\*) Term: **15 Years**

(21) Appl. No.: **29/703,480**

(22) Filed: **Aug. 27, 2019**

(51) **LOC (13) Cl.** ..... **08-08**

(52) **U.S. Cl.**  
USPC ..... **D8/397; D8/387**

(58) **Field of Classification Search**  
USPC ..... D8/385, 387, 388, 391, 397  
CPC ..... F16B 5/0258; F16B 19/1036; F16B  
19/1072; F16B 19/1054; F16B 19/004;  
F16B 2019/006; F16B 2019/1009; F16B  
2019/1018; F16B 23/0007; F16B  
23/0015; F16B 23/0023; F16B 23/003;  
F16B 23/0038; F16B 23/0046; F16B  
23/00; F16B 23/0092; F16B 23/0084;  
F16B 25/0036; F16B 25/0042; F16B  
25/0015; F16B 25/0021; F16B 25/0026;  
F16B 25/0031; F16B 25/0047; F16B  
25/001; F16B 25/00; F16B 27/00; F16B  
29/00; F16B 33/00; F16B 33/02; F16B  
35/048; F16B 35/041

See application file for complete search history.

(56) **References Cited**

**U.S. PATENT DOCUMENTS**

2,971,425 A \* 2/1961 Blakeley ..... B25B 31/005  
411/28  
4,884,933 A \* 12/1989 Preusker ..... F16B 37/04  
411/177  
5,092,723 A \* 3/1992 Compton ..... B21J 15/12  
411/120  
D372,857 S \* 8/1996 Hirai ..... D8/387

**FOREIGN PATENT DOCUMENTS**

EP 1635994 3/2006  
JP H0544343 6/1993  
WO 2018224793 12/2018

**OTHER PUBLICATIONS**

International Search Report for International Application PCT/  
US2020/047946, dated Oct. 23, 2020.

*Primary Examiner* — Sandra Snapp  
*Assistant Examiner* — Ieisha N Price  
(74) *Attorney, Agent, or Firm* — Burriss Law, PLLC

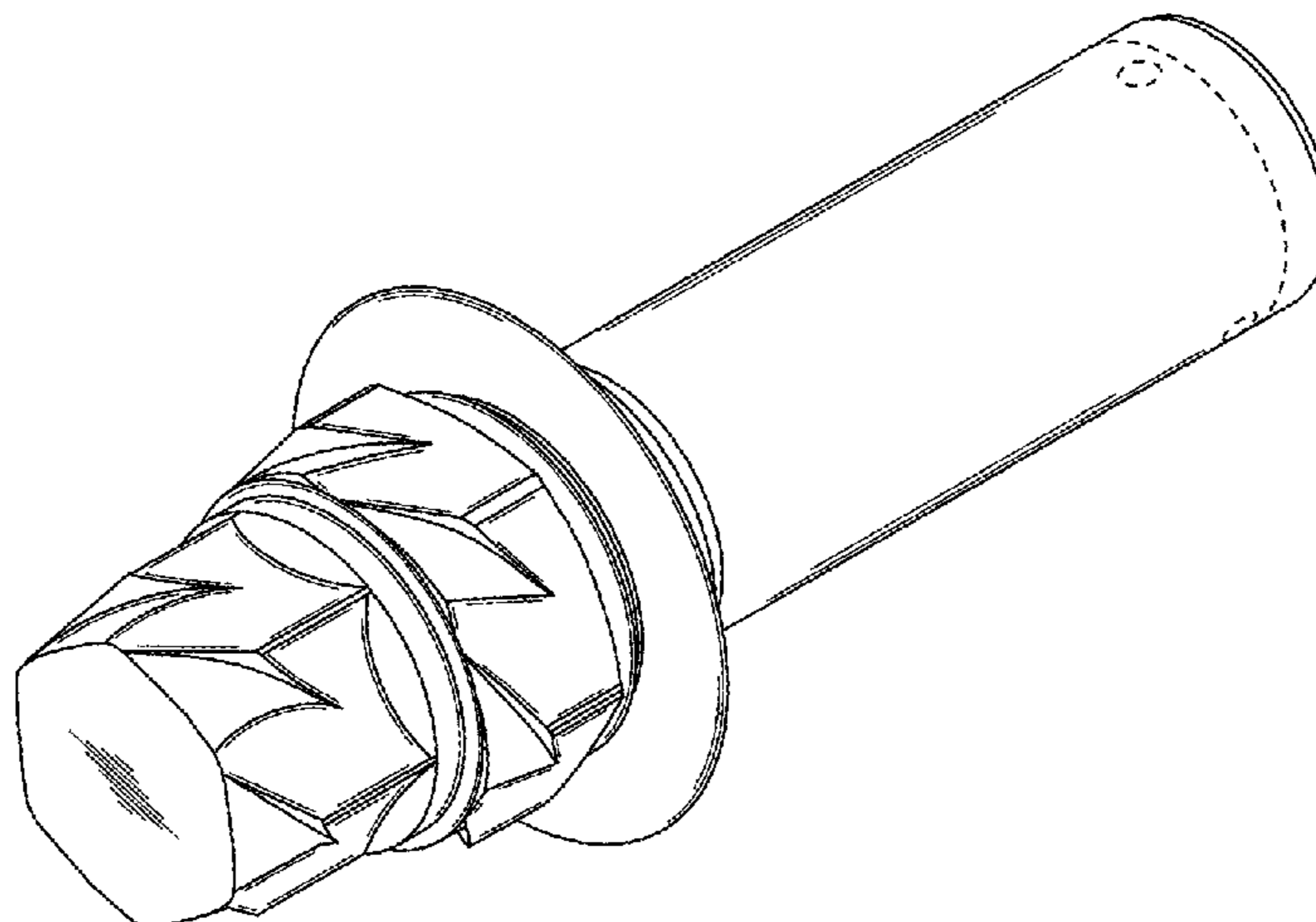
(57) **CLAIM**

The ornamental design for a blind fastener, as shown and  
described.

**DESCRIPTION**

FIG. 1 is a left-top-front perspective view of the blind  
fastener;  
FIG. 2 is a right-bottom-rear perspective view thereof;  
FIG. 3 is a front view thereof;  
FIG. 4 is a left side view thereof;  
FIG. 5 is a top view thereof;  
FIG. 6 is a right side view thereof;  
FIG. 7 is a rear view thereof; and,  
FIG. 8 is a bottom view thereof.  
The broken lines in the drawings illustrate portions of the  
blind fastener and form no part of the claimed design.

**1 Claim, 4 Drawing Sheets**



(56)

**References Cited**

## U.S. PATENT DOCUMENTS

10,457,414 B2 \* 10/2019 Liebscher ..... F16B 5/0642  
D878,194 S \* 3/2020 Lee ..... D8/397  
2002/0014137 A1 \* 2/2002 Lonnqvist ..... F16B 41/005  
81/460  
2005/0081578 A1 \* 4/2005 Yoon ..... F16B 35/048  
68/131  
2007/0243035 A1 \* 10/2007 Pratt ..... F16B 31/021  
411/15  
2008/0075555 A1 \* 3/2008 March ..... F16B 35/048  
411/361  
2011/0070051 A1 \* 3/2011 Chang ..... F16B 23/0092  
411/405  
2013/0149071 A1 \* 6/2013 Davis ..... F16B 1/0071  
411/402  
2014/0033494 A1 \* 2/2014 O'Sullivan ..... F16B 23/00  
29/426.2  
2014/0044498 A1 \* 2/2014 Hufnagl ..... F16B 19/1072  
411/43  
2014/0112734 A1 \* 4/2014 Ambros ..... F16B 25/0042  
411/387.1  
2016/0215804 A1 \* 7/2016 Hufnagl ..... F16B 13/061  
2017/0343030 A1 \* 11/2017 Freyermuth ..... F16B 35/048  
2017/0363129 A1 \* 12/2017 Bada ..... B25B 13/065  
2019/0093697 A1 \* 3/2019 Becker ..... F16B 39/26  
2019/0160520 A1 5/2019 Cobzaru  
2019/0162217 A1 5/2019 Vovan  
2019/0242426 A1 \* 8/2019 Moore ..... F16B 4/004  
2020/0200206 A1 \* 6/2020 Coetzer ..... F16B 23/003

\* cited by examiner

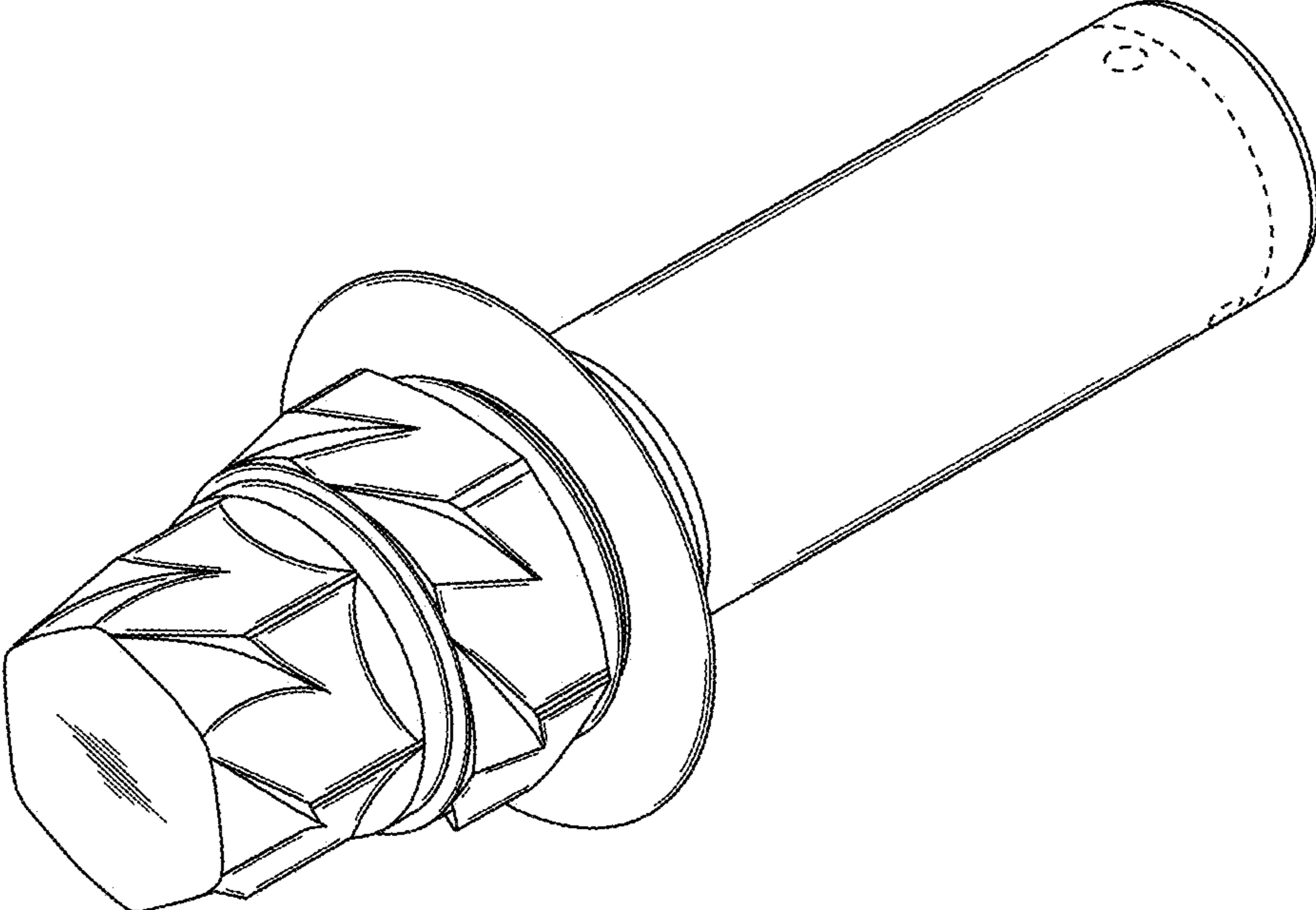


FIG. 1

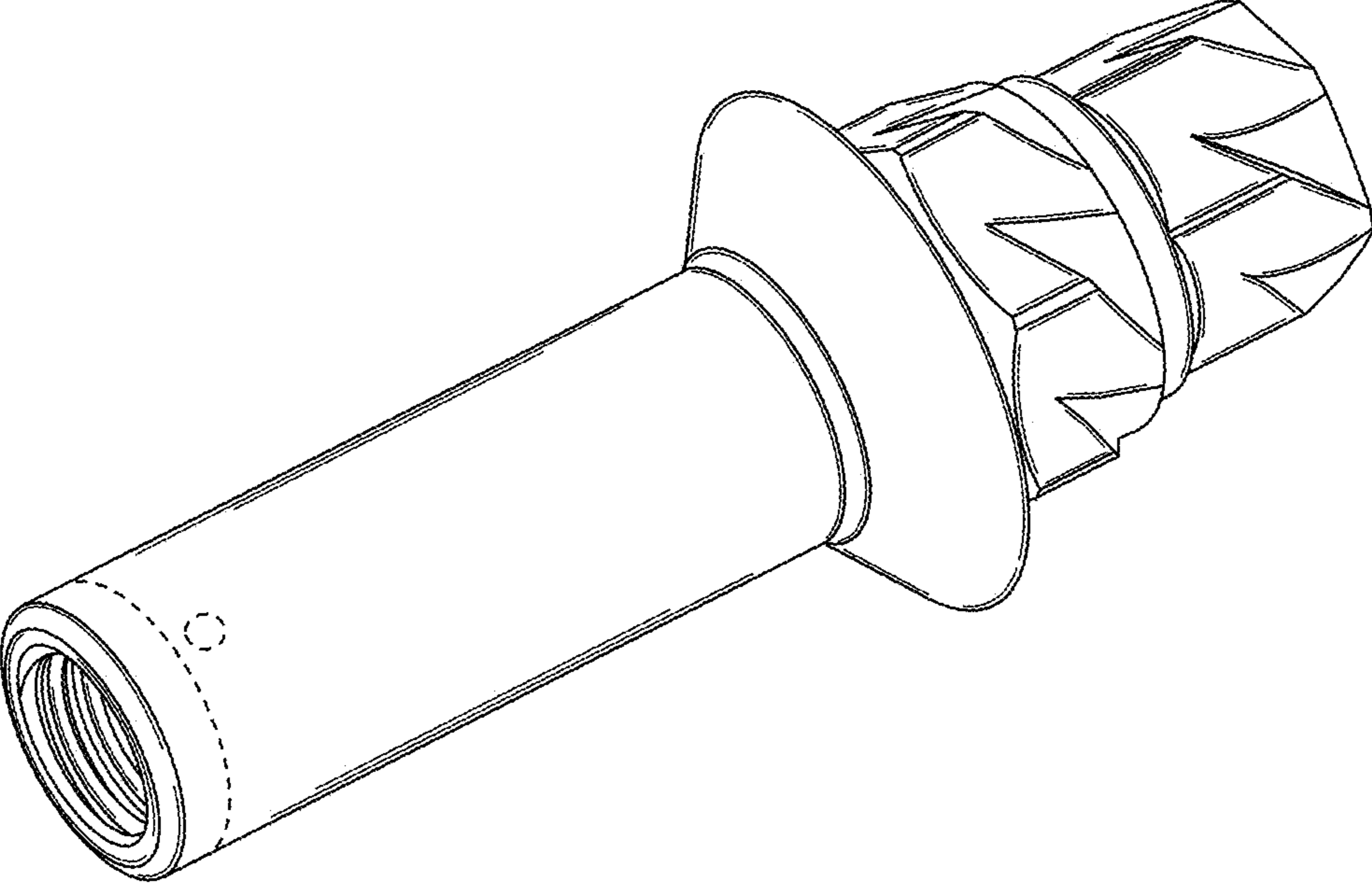


FIG. 2

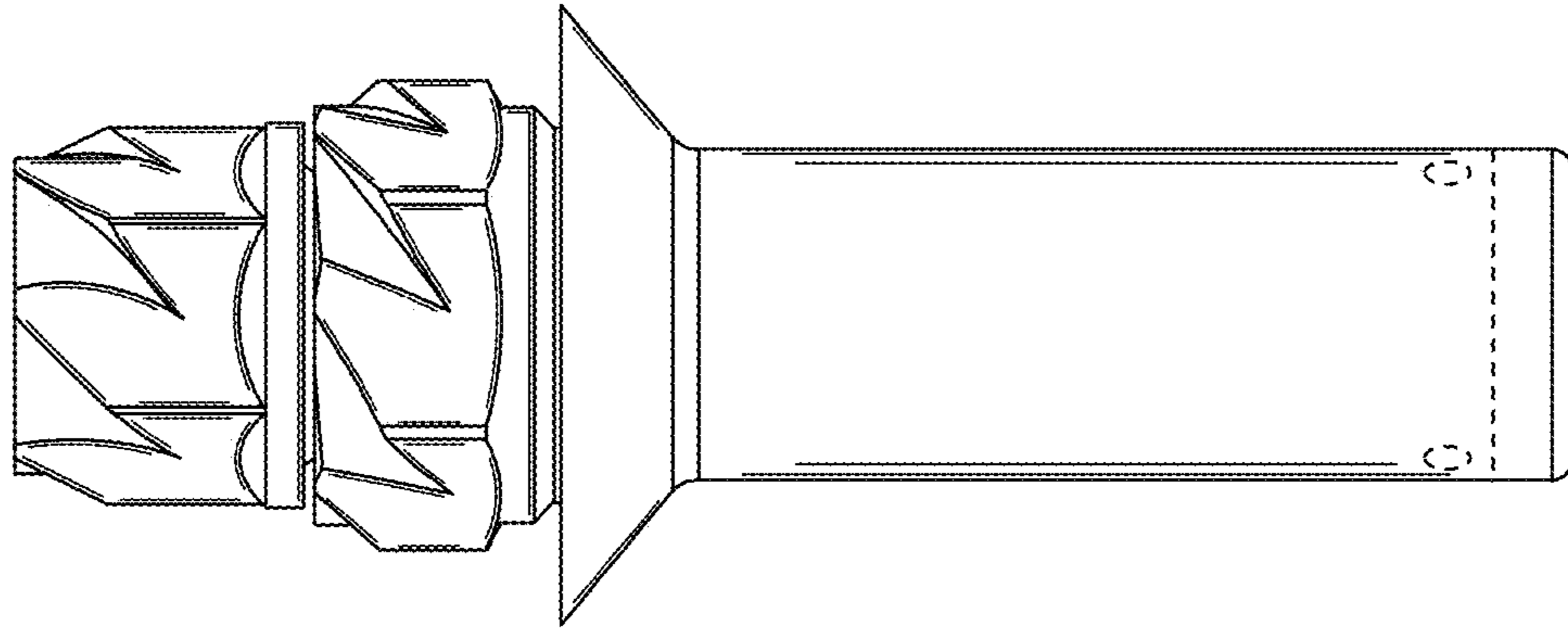


FIG. 3

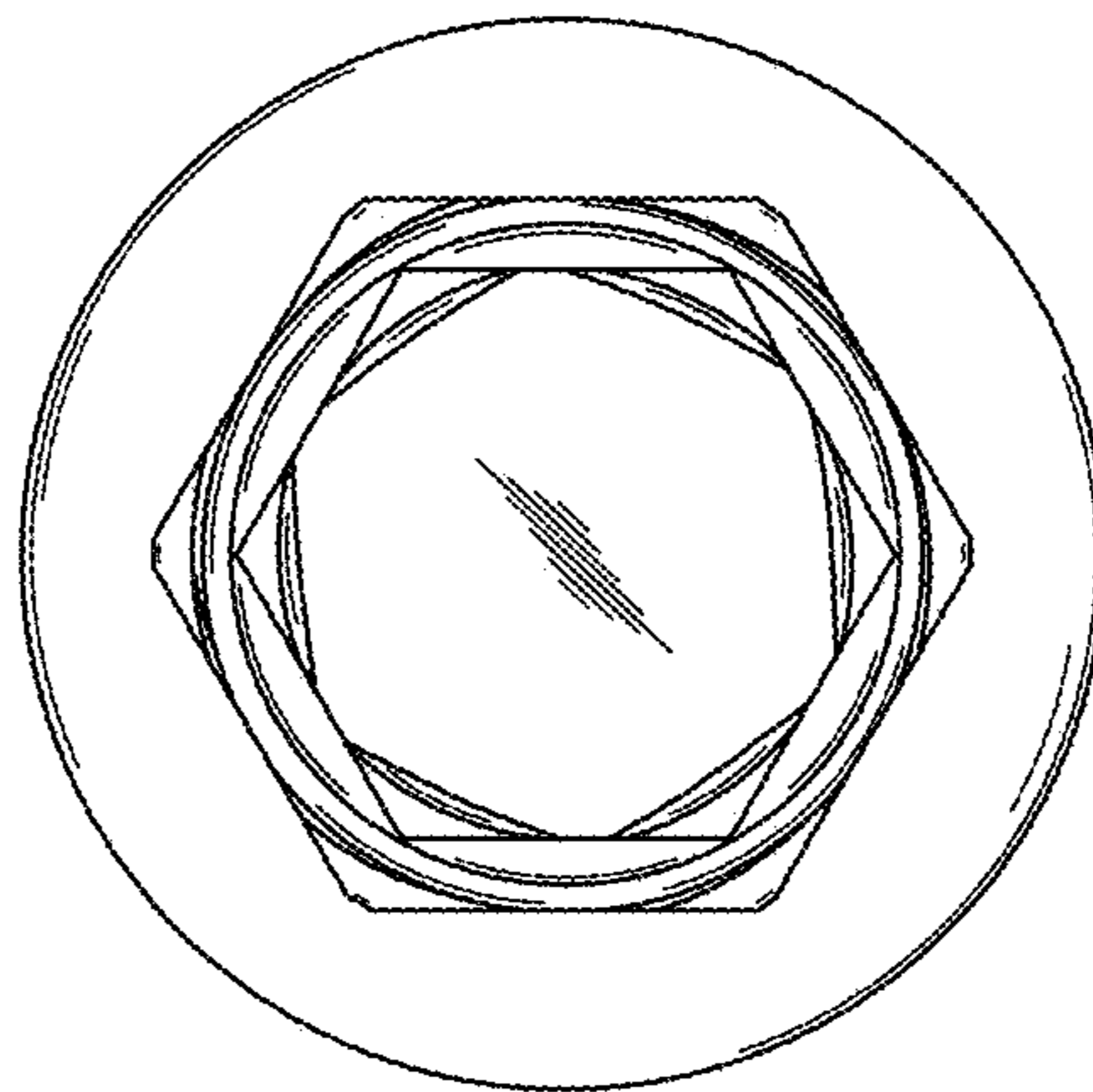


FIG. 4

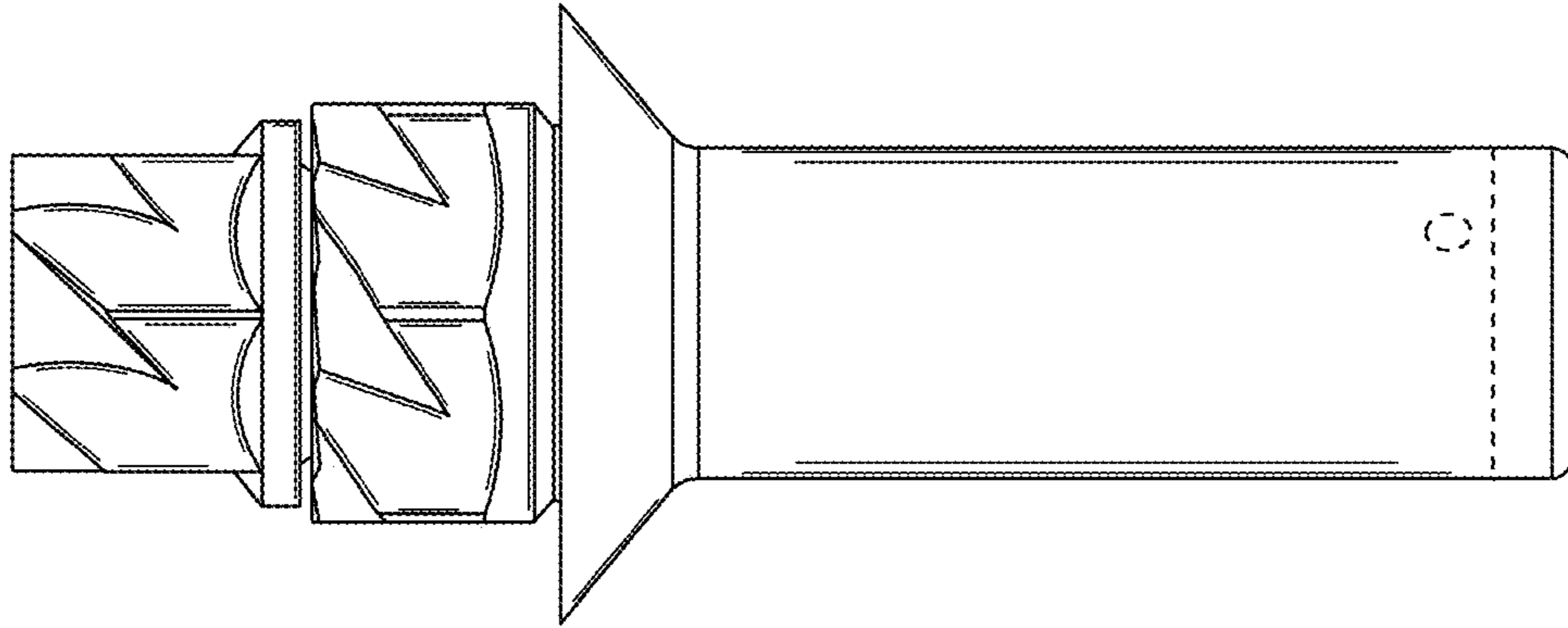


FIG. 5

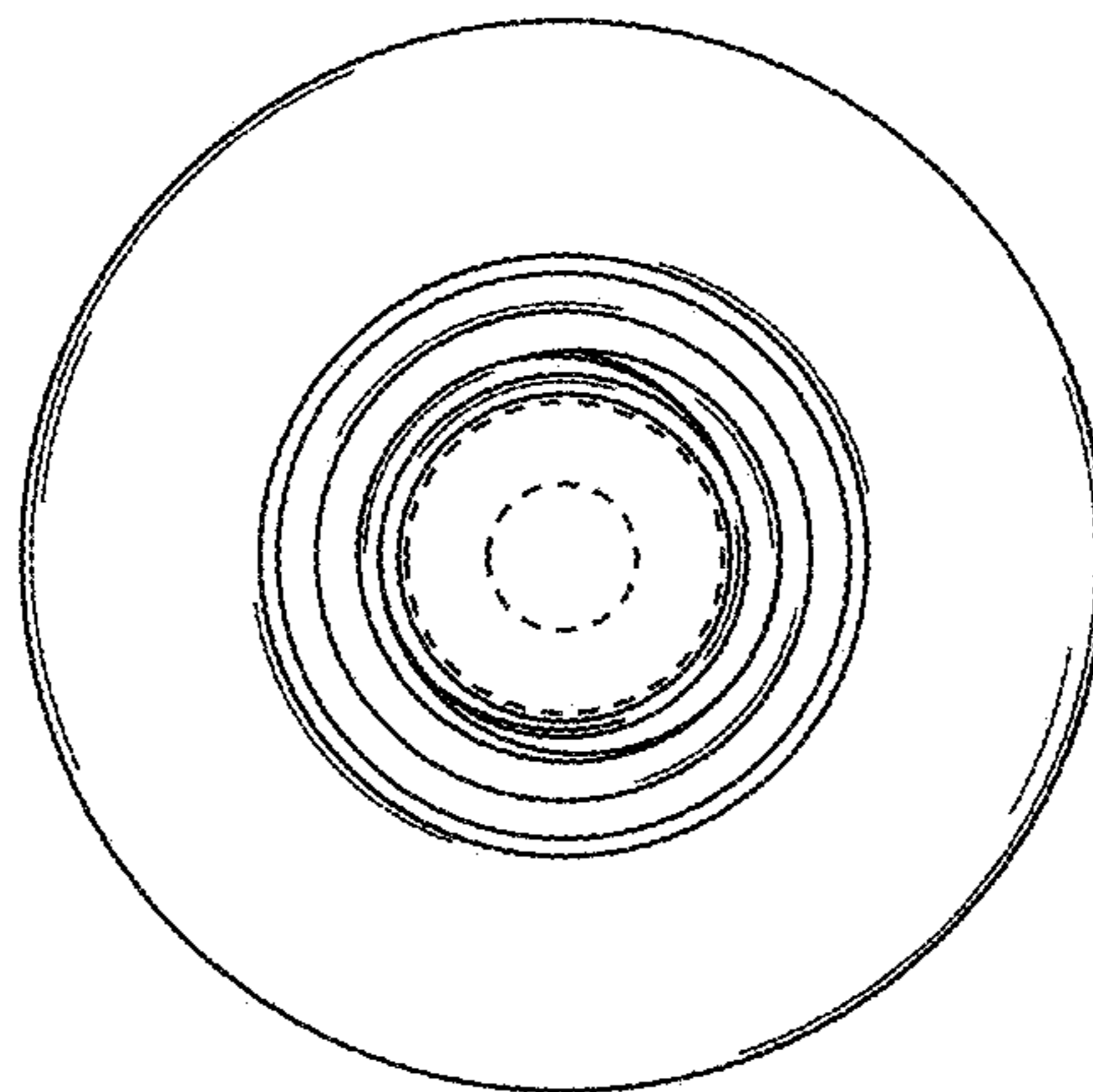


FIG. 6

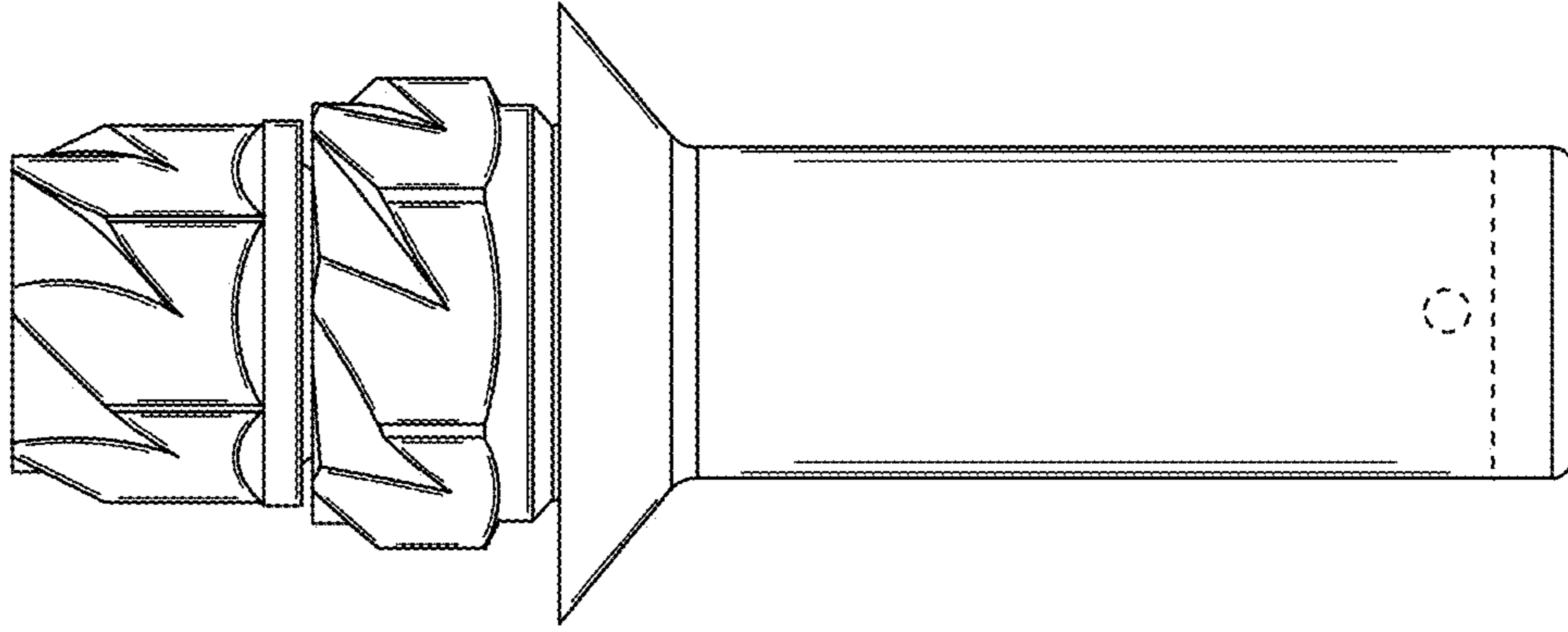


FIG. 7

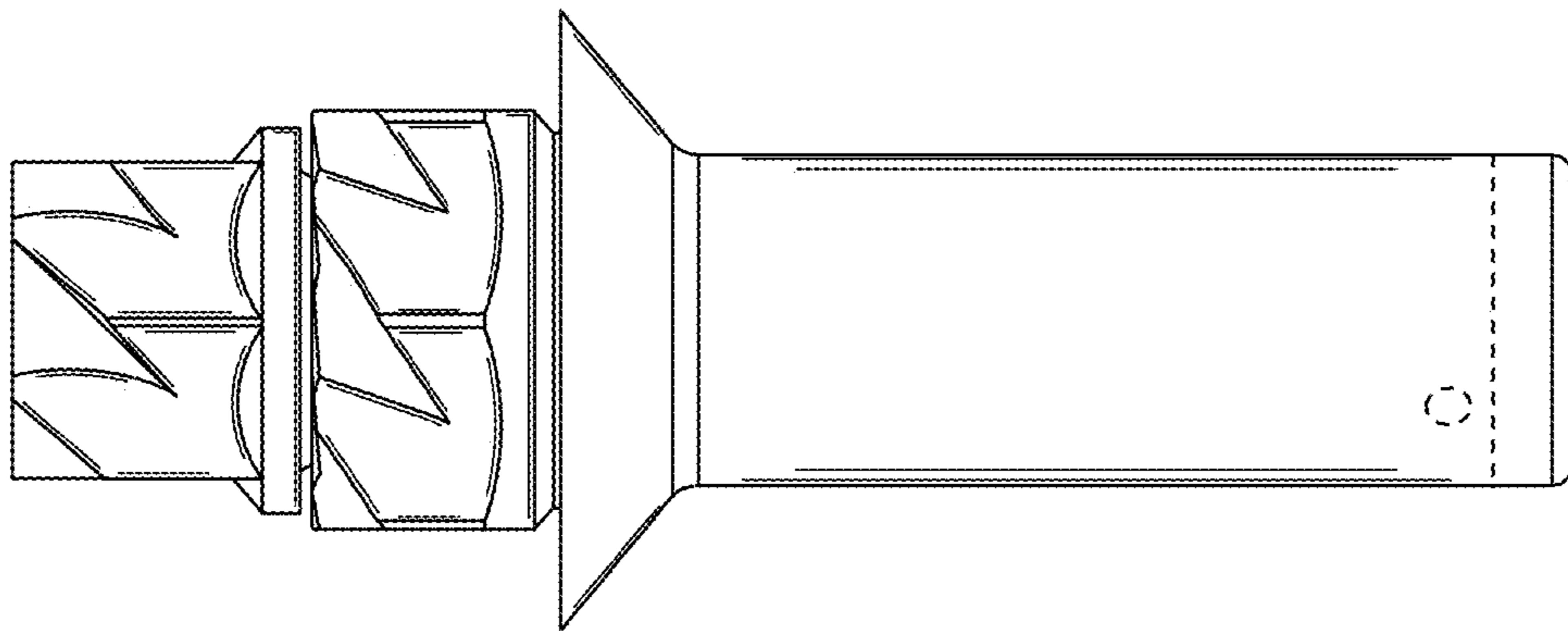


FIG. 8