



US00D920773S

(12) **United States Design Patent**
McClung

(10) **Patent No.:** **US D920,773 S**
(45) **Date of Patent:** **** Jun. 1, 2021**

(54) **CLAMPING ASSEMBLY**

- (71) Applicant: **David L. McClung**, Des Moines, IA (US)
- (72) Inventor: **David L. McClung**, Des Moines, IA (US)
- (**) Term: **15 Years**
- (21) Appl. No.: **29/686,413**
- (22) Filed: **Apr. 4, 2019**
- (51) **LOC (13) Cl.** **08-08**
- (52) **U.S. Cl.**
USPC **D8/394**; D8/382
- (58) **Field of Classification Search**
USPC D8/349, 382-399; 24/710.5, 711, 336, 24/338, 297, 463, 270, 273; 227/67, 68; 248/74.2, 74.3, 316.7; 285/364, 365, 406, 285/409; 454/333
CPC A41H 37/008; A43D 100/08; A44B 1/185; A44B 9/02; Y10T 24/4689; Y10T 24/24; A45D 8/16; A45D 8/22; A45D 8/26; A41D 13/0562; A41D 27/202; A45C 7/0027; B21D 53/52; B21F 45/18; B65H 2405/1414; B65H 2402/5153; B65H 2301/51; B65D 33/2525; B65D 33/25865; A61M 2005/244; A63F 2003/00735; B63H 25/38; B63H 25/382; A63H 33/101; E04B 9/205; B01J 2219/30257; F16L 23/036; F16L 23/00; F16L 23/06; F16B 2/18; A47B 2097/003; B25B 5/127
See application file for complete search history.

(56) **References Cited**

U.S. PATENT DOCUMENTS

- 2,599,839 A * 6/1952 Keifer, Jr. F41G 1/26 42/139
 - 4,335,873 A * 6/1982 Kiefer B25B 5/163 269/228
 - D333,962 S * 3/1993 Davis D8/394
- (Continued)

FOREIGN PATENT DOCUMENTS

- EM 000062211-0001 * 8/2003
- EM 004597540-0001 * 1/2018
- KR 300405800.0001 * 1/2005

OTHER PUBLICATIONS

SKYCY, Hold Down Toggle Clamps Latch Antislip Red 201B Hand Tool 200Lbs, Date first available Nov. 25, 2018, [online] retrieved Jan. 13, 2021, available from internet, https://www.amazon.com/Antislip-Holding-Capacity-Horizontal-Release/dp/B07KW16G92/ref=psdc_553170_t3_B08FYH1XTW (Year: 2018).*

(Continued)

Primary Examiner — Keli L Hill
Assistant Examiner — Sara S Sahneh
(74) *Attorney, Agent, or Firm* — Zarley Law Firm, P.L.C.

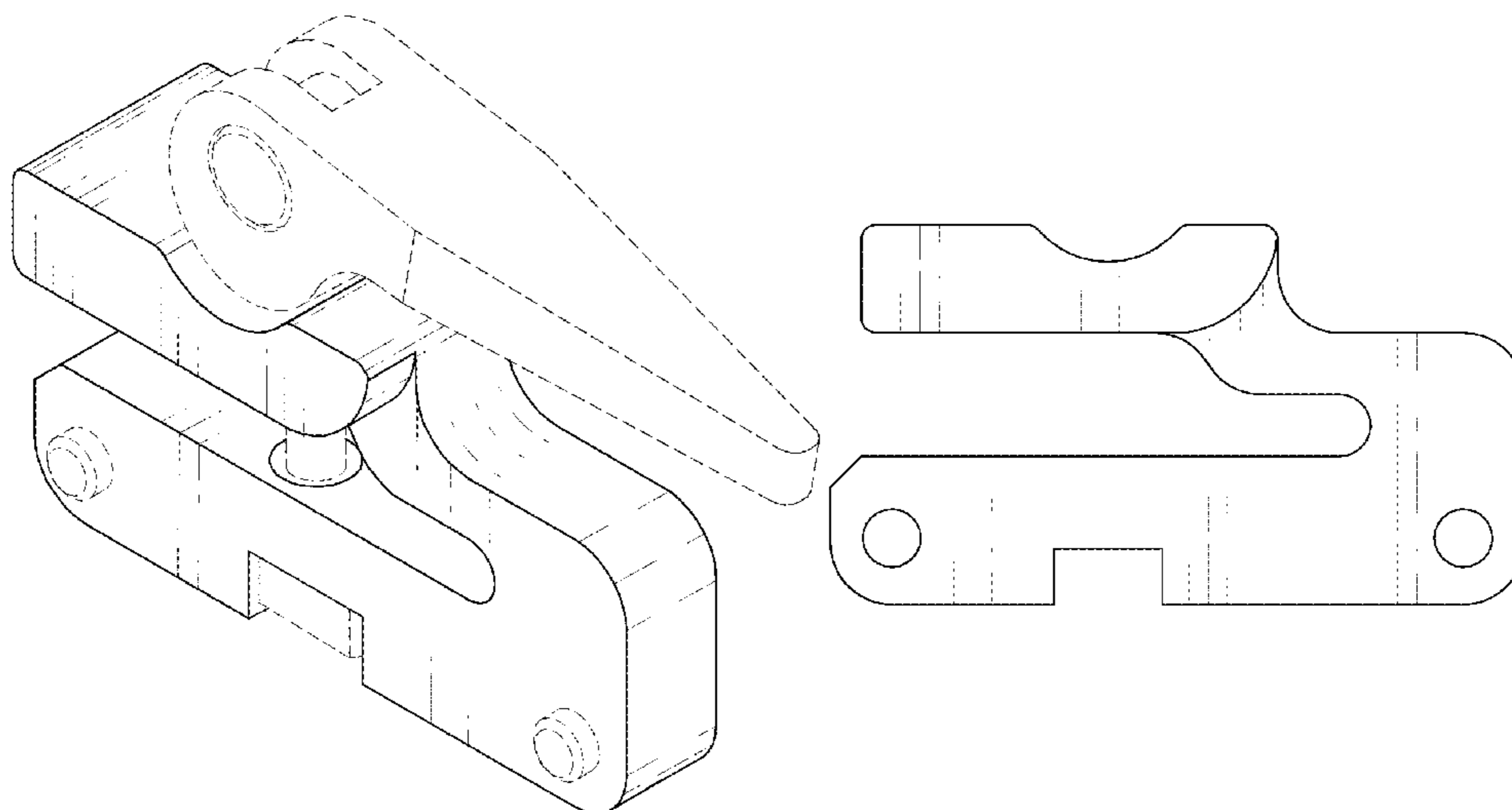
(57) **CLAIM**

The ornamental design for a clamping assembly, as shown and described.

DESCRIPTION

FIG. 1 is a top right isometric view of a clamping assembly; FIG. 2 is a top right isometric view of a clamping assembly; FIG. 3 is a front elevation view of a clamping assembly; FIG. 4 is a rear elevation view of a clamping assembly; FIG. 5 is a right elevation view of a clamping assembly; FIG. 6 is a left elevation view of a clamping assembly; FIG. 7 is a top plan view of a clamping assembly; and, FIG. 8 is a bottom plan view of a clamping assembly. The broken lines showing portions of the design in all figures is included for the purpose of illustrating environment and unclaimed features and forms not part of the claimed design.

1 Claim, 5 Drawing Sheets



(56)

References Cited

U.S. PATENT DOCUMENTS

5,380,052 A * 1/1995 Hendrickson F16L 17/04
24/270
D415,410 S * 10/1999 An D8/394
D455,831 S * 4/2002 Koros F16M 13/022
D24/128
D600,542 S * 9/2009 Zemel D8/395
9,757,842 B2 * 9/2017 Huelsmann E05C 19/14
10,563,798 B1 * 2/2020 Hinkle F16L 41/021
10,794,654 B2 * 10/2020 Burton F16B 2/185
2002/0125388 A1 * 9/2002 Eslick F16B 2/18
248/230.4
2018/0224026 A1 * 8/2018 Crouzy F16L 23/06
2019/0145445 A1 * 5/2019 McClung F16B 2/18
403/110

OTHER PUBLICATIONS

HHIP, 3900-0302 Adjustable Clamping Assembly, ½-13×4", Date first available Jul. 11, 2013, [online]retrieved Jan. 12, 2021, available from internet, https://www.amazon.com/HHIP-3900-0302-Adjustable-Clamping-Assembly/dp/B00R138NFI/ref=sr_1_7?dchild=1&keywords=CLAMPING+ASSEMBL (Year: 2013).*

TOPINCN, Hold Down Clamp Metal Quick Acting Set Useful for T-Slot T-Track Woodworking Tool Metalworking Applications , [online]retrieved Jan. 12, 2021, available from internet, https://www.amazon.com/dp/B07N585F4C/ref=sspa_dk_detail_5?psc=1&pd_rd_i=B07N585F4C&pd_rd_w=GkW0H&pf_rd_p=45e679f6-d55f-4626-99 (Year: 2021).*

* cited by examiner

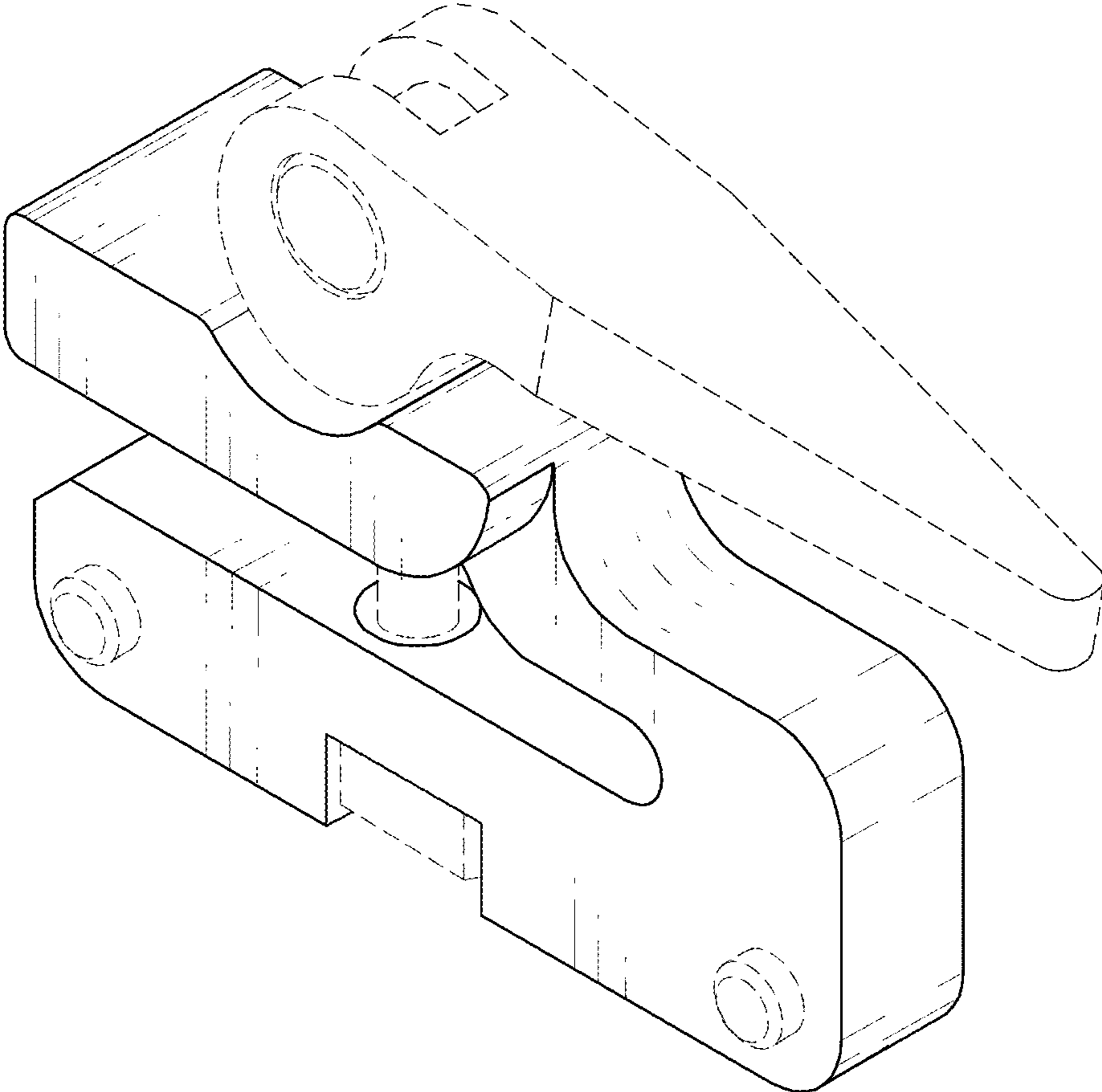


FIG. 1

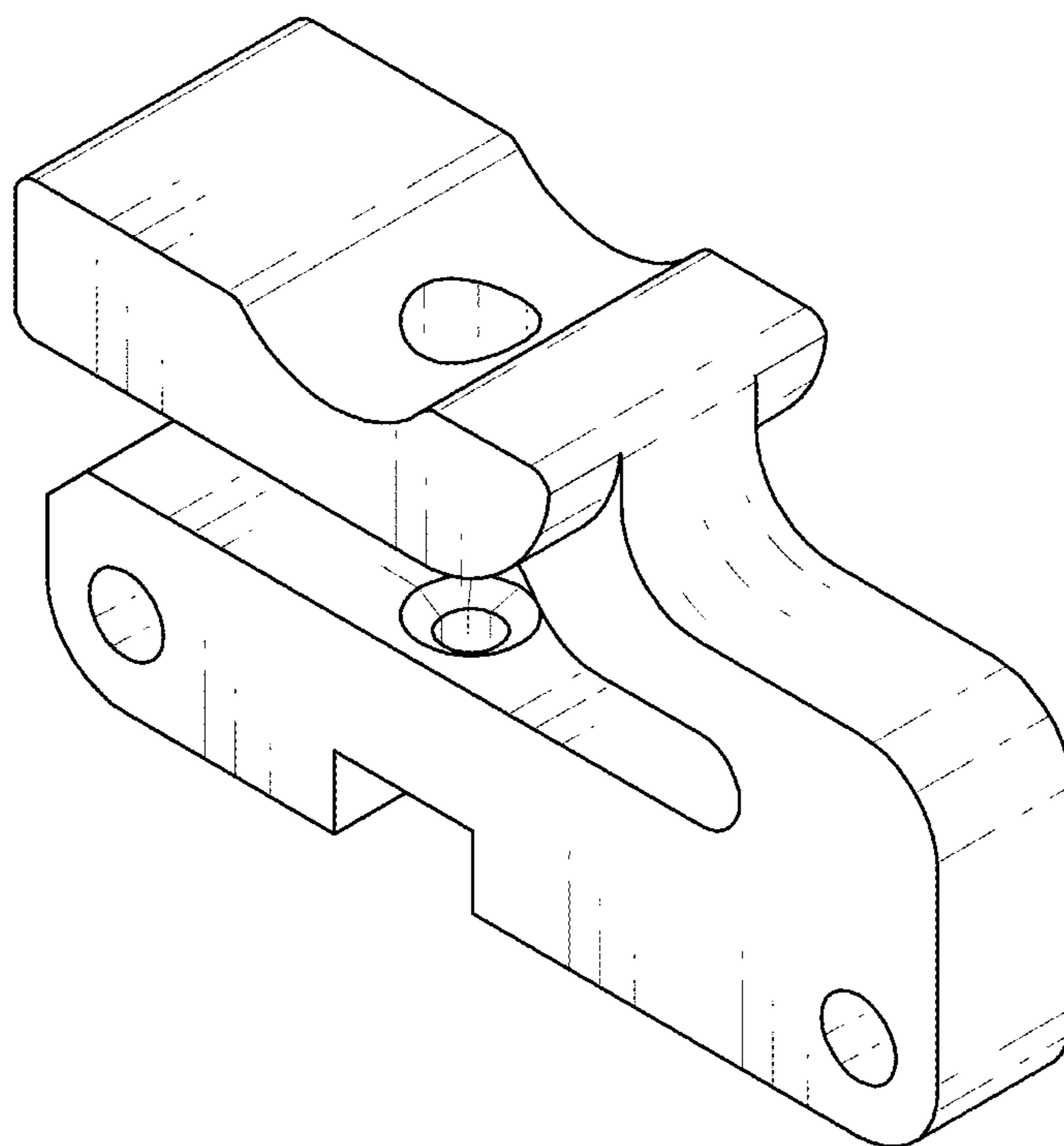


FIG. 2

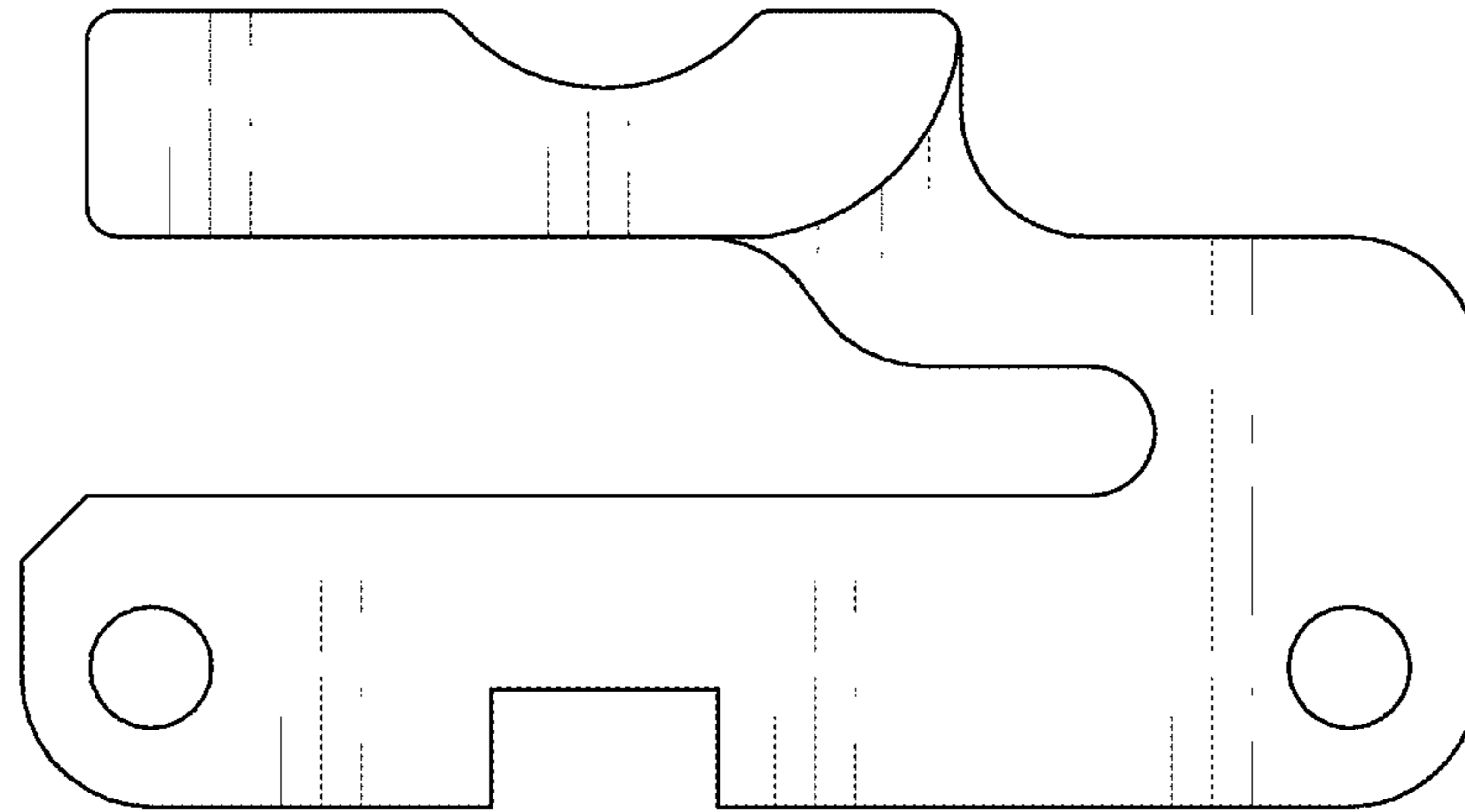


FIG. 3

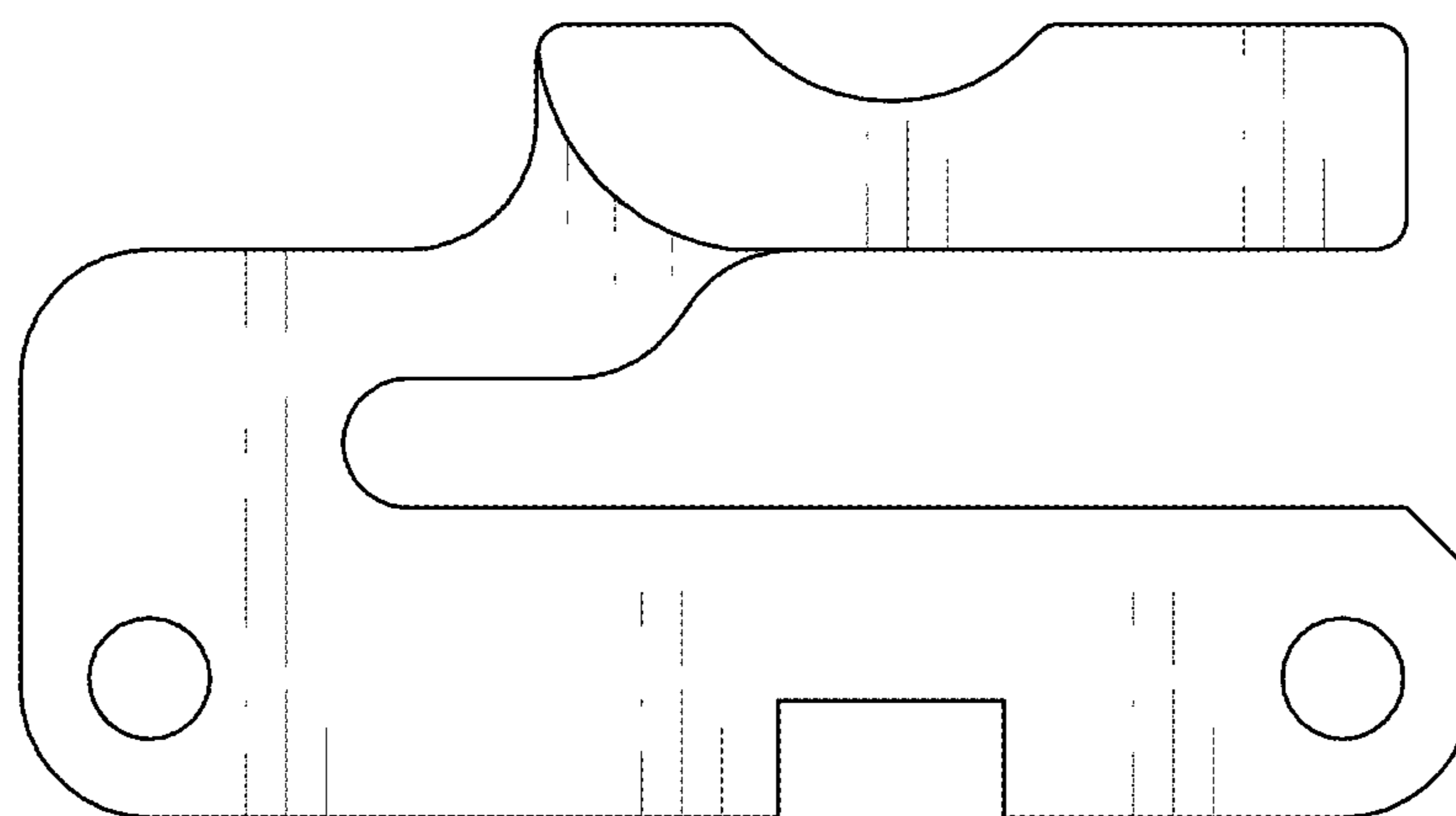


FIG. 4

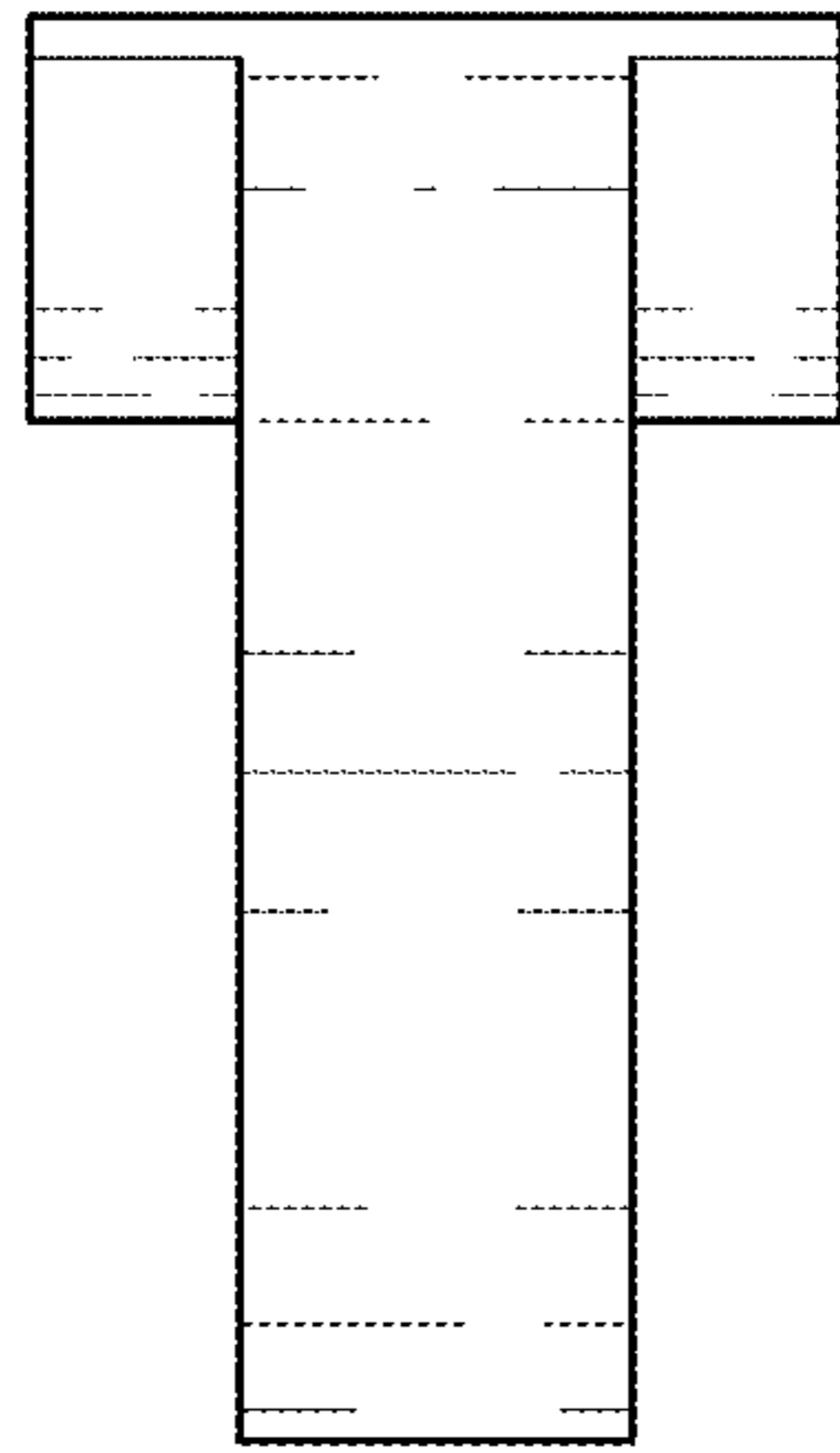


FIG. 5

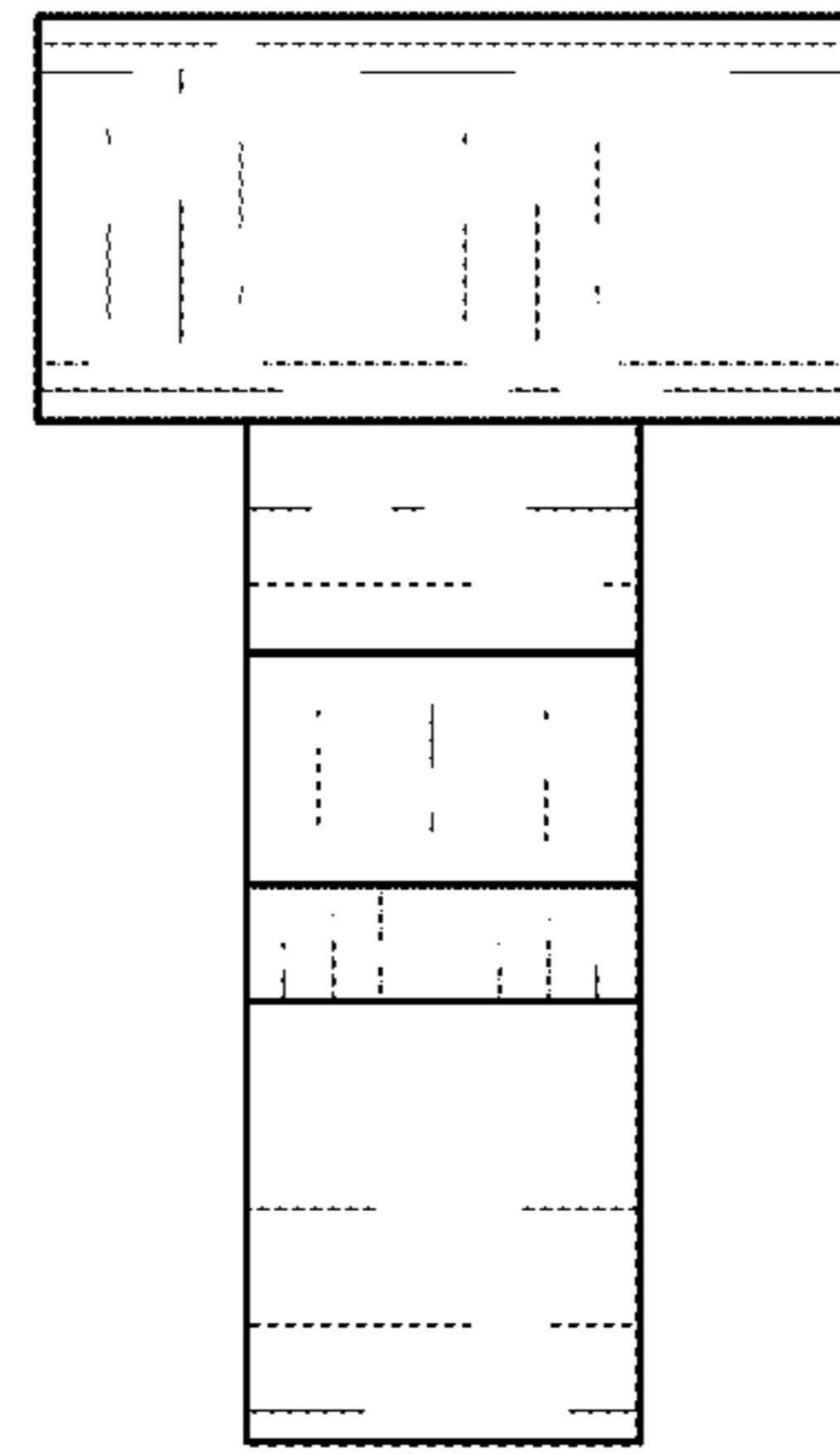


FIG. 6

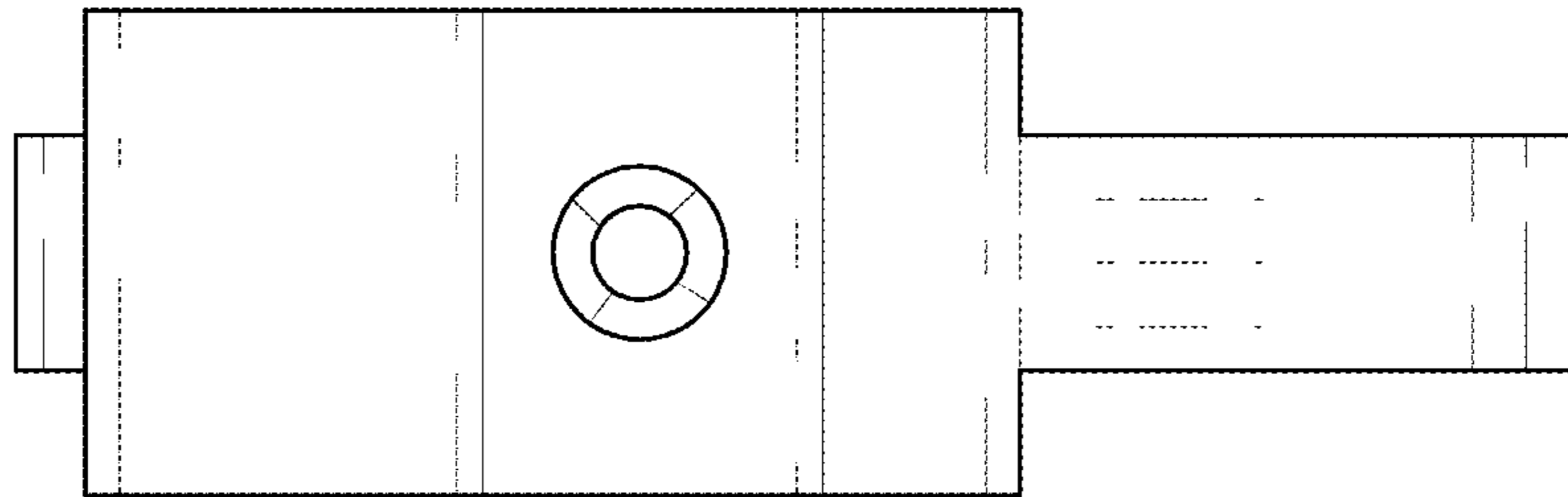


FIG. 7

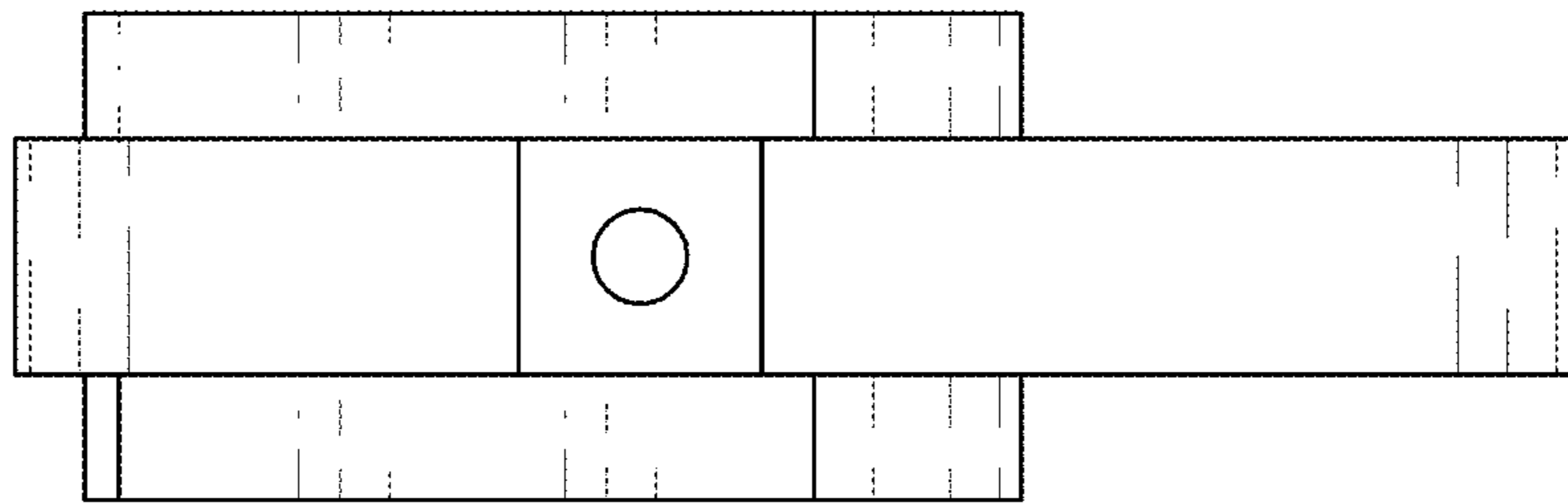


FIG. 8