

US00D920772S

(12) **United States Design Patent**
McClung

(10) **Patent No.:** **US D920,772 S**
(45) **Date of Patent:** **** Jun. 1, 2021**

(54) **CLAMPING ASSEMBLY**

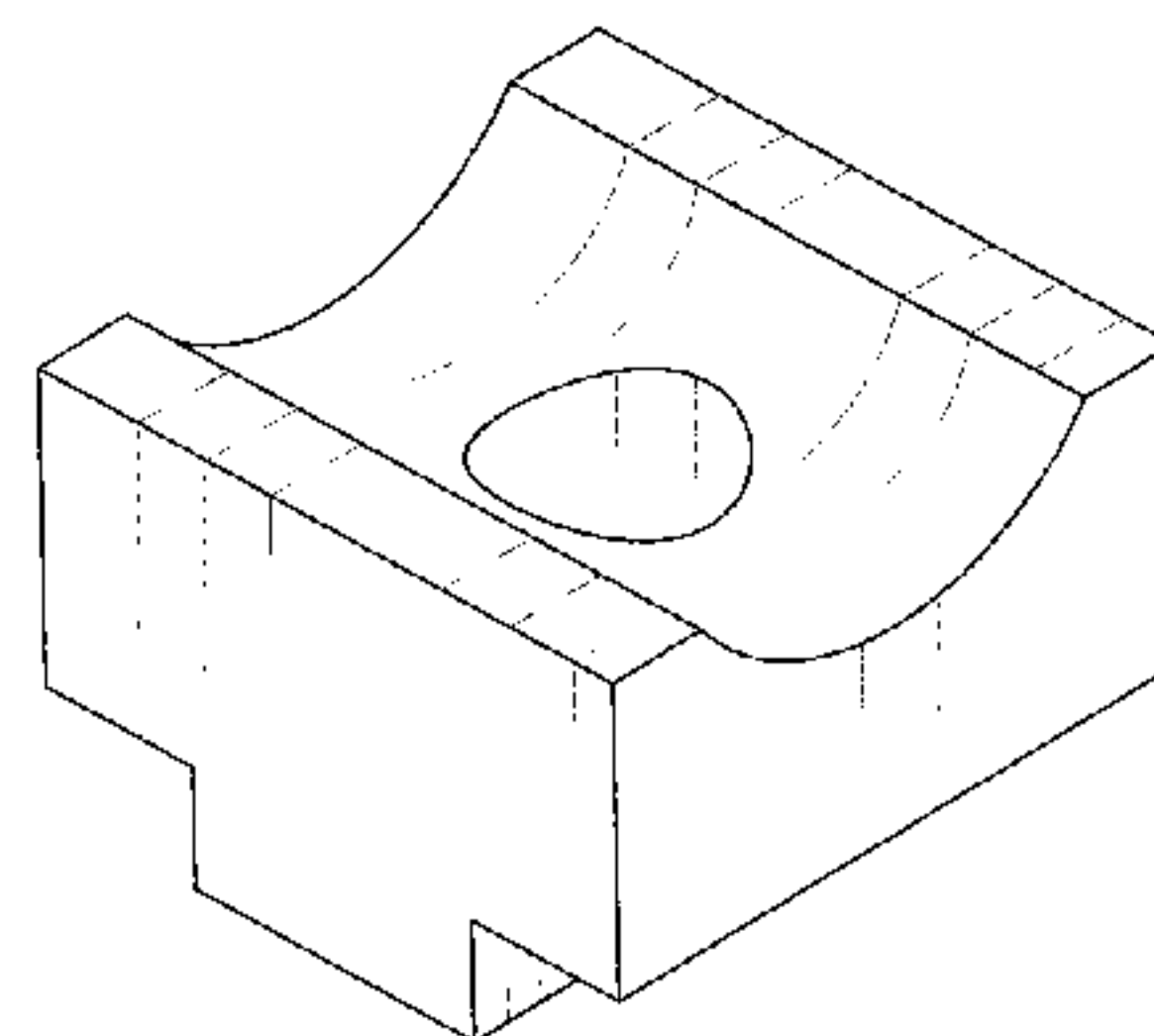
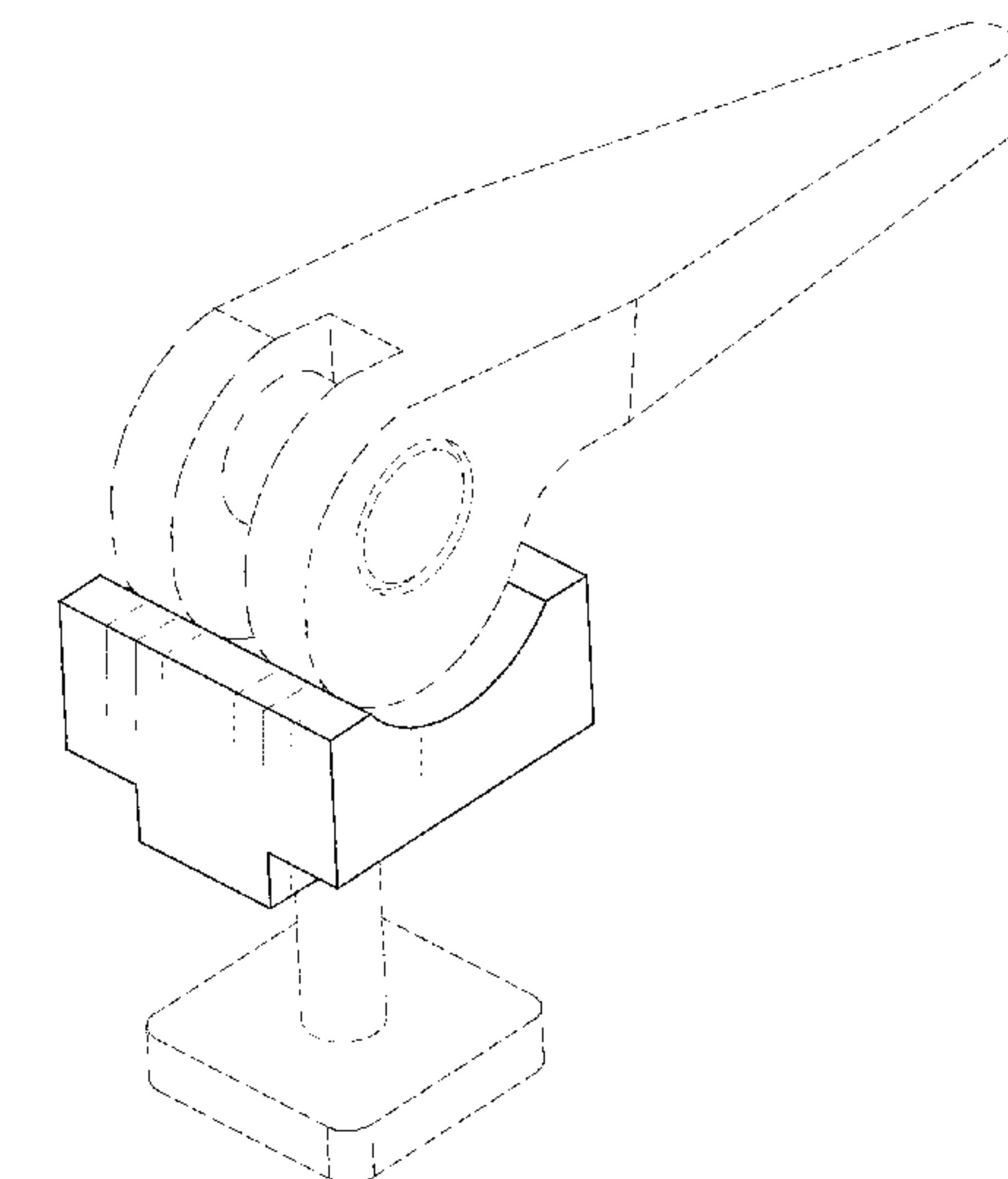
- (71) Applicant: **David L. McClung**, Des Moines, IA (US)
- (72) Inventor: **David L. McClung**, Des Moines, IA (US)
- (**) Term: **15 Years**
- (21) Appl. No.: **29/686,407**
- (22) Filed: **Apr. 4, 2019**
- (51) **LOC (13) Cl.** **08-08**
- (52) **U.S. Cl.**
USPC **D8/394**; D8/382
- (58) **Field of Classification Search**
USPC D8/349, 382-399, 72; 24/710.5, 711, 24/336, 338, 297, 463, 270, 273; 227/67, 227/68; 248/74.2, 74.3, 316.7; 285/364, 285/365, 406, 409; 454/333
CPC A41H 37/008; A43D 100/08; A44B 1/185; A44B 9/02; Y10T 24/4689; Y10T 24/24; A45D 8/16; A45D 8/22; A45D 8/26; A41D 13/0562; A41D 27/202; A45C 7/0027; B21D 53/52; B21F 45/18; B65H 2405/1414; B65H 2402/5153; B65D 33/2525; B65D 33/25865; A61M 2005/244; A63F 2003/00735; A47B 2097/003; A63H 33/101; E04B 9/205; B01J 2219/30257; B01J 2301/51539; F16L 23/036; F16L 23/00; F16L 23/06; F16B 2/18; B63H 25/38; B63H 25/382; B25B 5/127

See application file for complete search history.

(56) **References Cited**

U.S. PATENT DOCUMENTS

- D4,058 S * 5/1870 Ellis D21/500
- 2,599,839 A * 6/1952 Keifer, Jr. F41G 1/26
42/139
- D223,924 S * 6/1972 Adelson D13/171



FOREIGN PATENT DOCUMENTS

- EM 001654336-0004 * 1/2010
- EM 003110329-0001 * 5/2016

(Continued)

OTHER PUBLICATIONS

RuiLing Store, T-Slot Nuts M10 Clamping Table Slot Milling T Sliding Nut Block, Date first available Apr. 12, 2017, [online]retrieved Jan. 12, 2021, available from internet, https://www.amazon.com/T-Slot-Clamping-Milling-Sliding-Machine/dp/B071D7SXJK/ref=pd_sbs_328_7?_encoding=UTF8&pd_rd_i=B071D7SXJK (Year: 2017).*

(Continued)

Primary Examiner — Keli L Hill
Assistant Examiner — Sara S Sahneh
(74) *Attorney, Agent, or Firm* — Zarley Law Firm, P.L.C.

(57) **CLAIM**

The ornamental design for a clamping assembly, as shown and described.

DESCRIPTION

FIG. 1 is a top right isometric view of a clamping assembly; FIG. 2 is a top right isometric view of a clamping assembly; FIG. 3 is a front elevation view of a clamping assembly; FIG. 4 is a rear elevation view of a clamping assembly; FIG. 5 is a right elevation view of a clamping assembly; FIG. 6 is a left elevation view of a clamping assembly; FIG. 7 is a top plan view of a clamping assembly; and, FIG. 8 is a bottom plan view of a clamping assembly. A description of the appearance of the article is as follows: The broken lines showing portions of the design in all figures is included for the purpose of illustrating environment and unclaimed features and forms not part of the claimed design.

1 Claim, 5 Drawing Sheets

(56)

References Cited

U.S. PATENT DOCUMENTS

3,838,535 A * 10/1974 Larws A63H 33/084
446/124
4,679,782 A * 7/1987 Horn B25B 5/122
269/228
D291,802 S * 9/1987 Mantell 379/448
4,997,154 A * 3/1991 Little A61G 5/08
248/230.5
D333,962 S * 3/1993 Davis D8/394
5,380,052 A * 1/1995 Hendrickson F16L 17/04
24/270
D414,530 S * 9/1999 Rudy D21/500
D415,217 S * 10/1999 Rudy D21/503
D423,607 S * 4/2000 Rudy D21/500
D437,011 S * 1/2001 Chang D21/501
D528,869 S * 9/2006 VanHook D21/501
D765,797 S * 9/2016 Banik D21/484
D832,365 S * 10/2018 Williams D21/484
10,563,798 B1 * 2/2020 Hinkle F16L 41/021
D904,548 S * 12/2020 Chen D22/108
2002/0125388 A1 * 9/2002 Eslick F16B 2/18
248/230.4
2019/0145445 A1 * 5/2019 McClung F16B 2/18
403/110

FOREIGN PATENT DOCUMENTS

IL 17095 * 11/1990
KR 300405800.0001 * 1/2005

OTHER PUBLICATIONS

HHIP, 3402-0002, 2-³/₈ L x 2-³/₈ W x 2 H Precision V-Block & Clamp Set, Date first available Jul. 11, 2013, [online]retrieved Jan. 12, 2021, available from internet, https://www.amazon.com/HHIP-3402-0002-PRECISION-V-BLOCK-CLAMP/dp/B00N41FYQC/ref=sr_1_283?dchild=1&keywords=HHIP&qid=1610470983&sr=8-283 (Year: 2013).*

Mitee-Bite, MB-24148 T-Slot Toe Fixture Clamp Mitee-Bite Clamping System, T-Slot Toe Clamp, Date first available Oct. 11, 2009, [online]retrieved Jan. 12, 2021, available from internet, https://www.amazon.com/Mitee-Bite-MB-24148-T-Slot-Fixture-Clamping/dp/B002SI8BKS/ref=pd_all_pref_5/133-9953152-34 (Year: 2009).*

Small Parts, 1018 Steel T-Slot Nut, Black Oxide Finish, Grade 8, Tapped Through, 1¹/₂"-13 Threads, Date first available Oct. 29, 2012, [online]retrieved Jan. 12, 2021, available from internet, https://www.amazon.com/T-Slot-Finish-Tapped-Through-Threads/dp/B009SWHWPM/ref=pd_sbs_328_1/133-9953152-34523 (Year: 2012).*

* cited by examiner

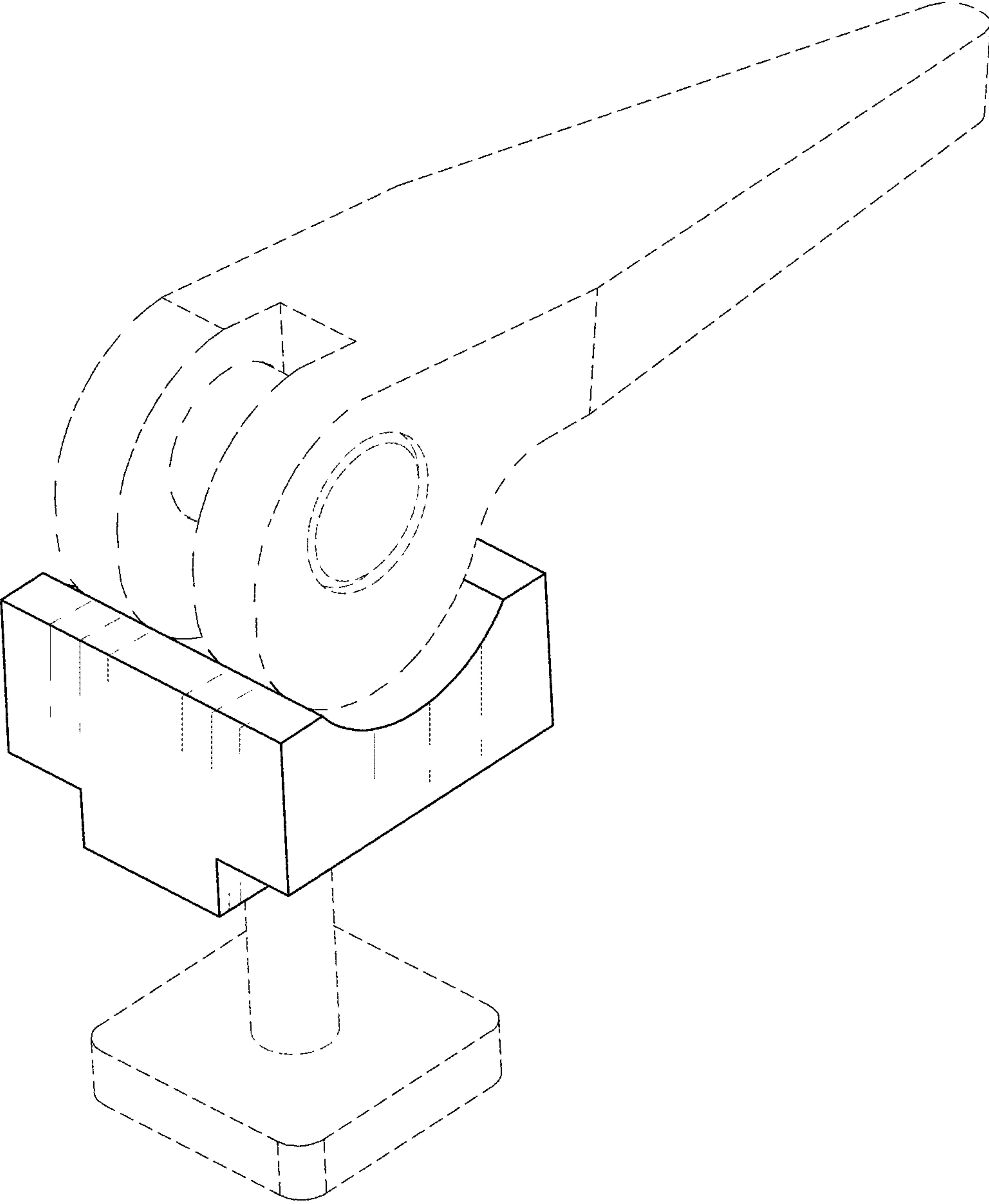


FIG. 1

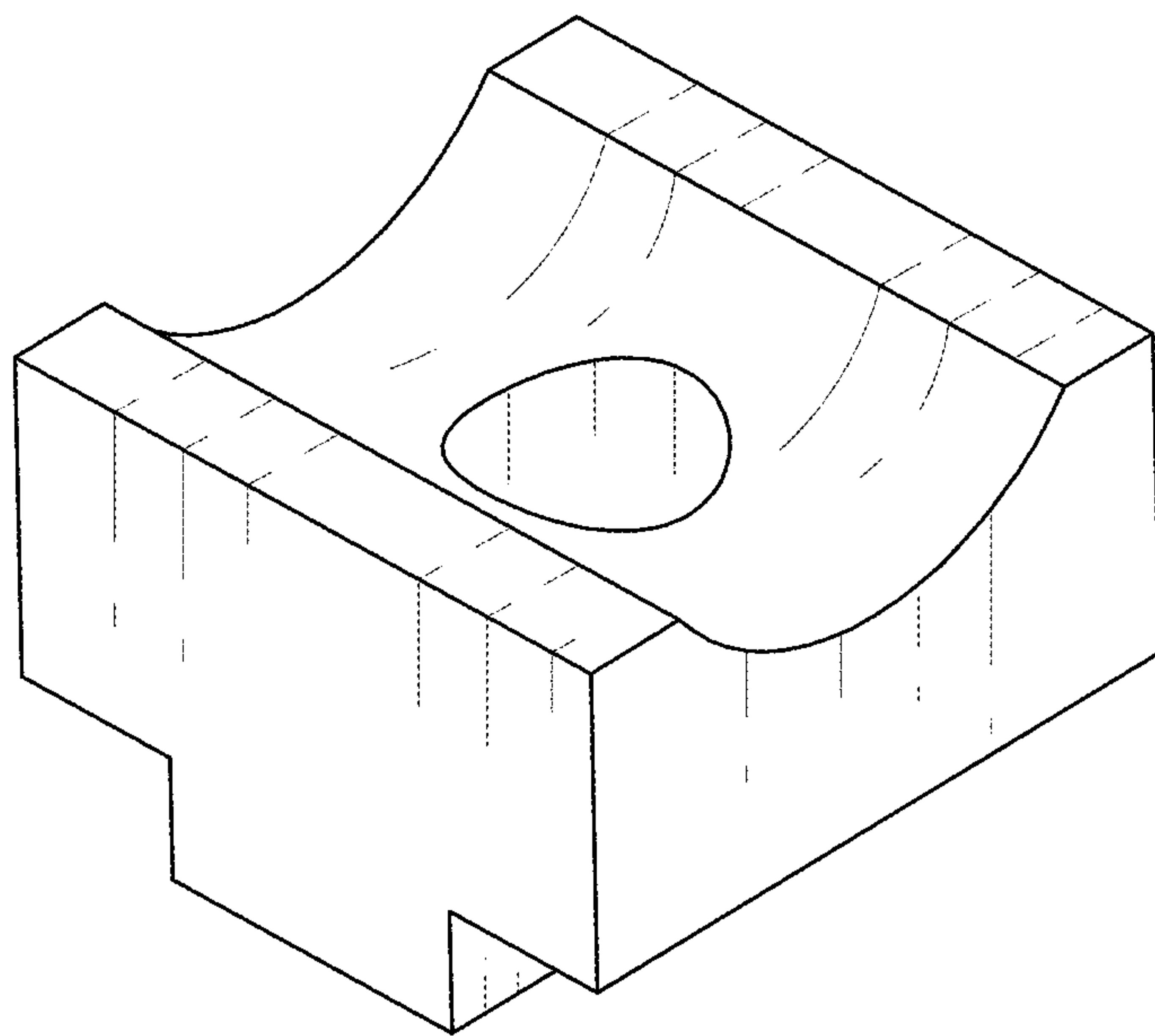


FIG. 2

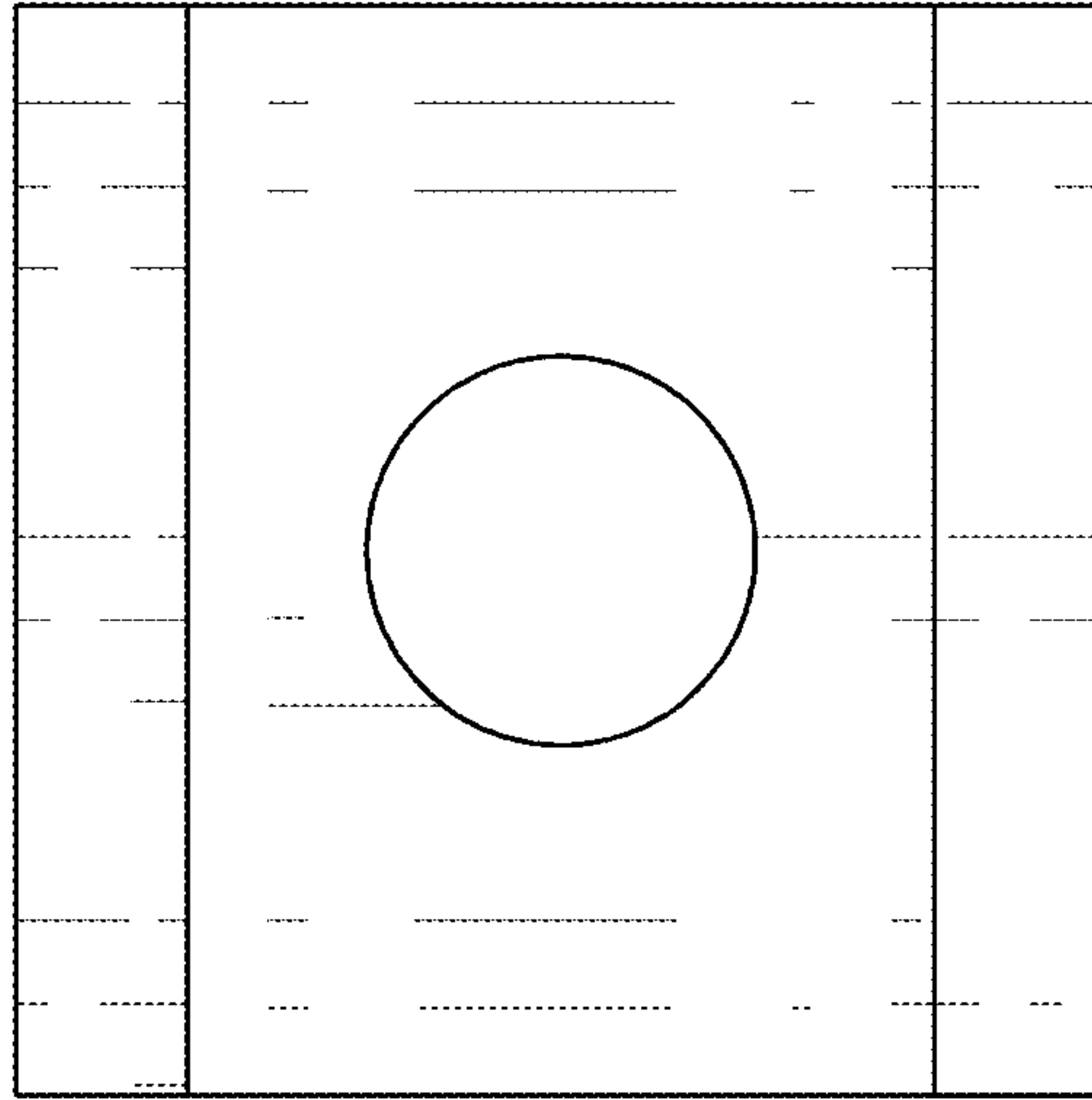


FIG. 3

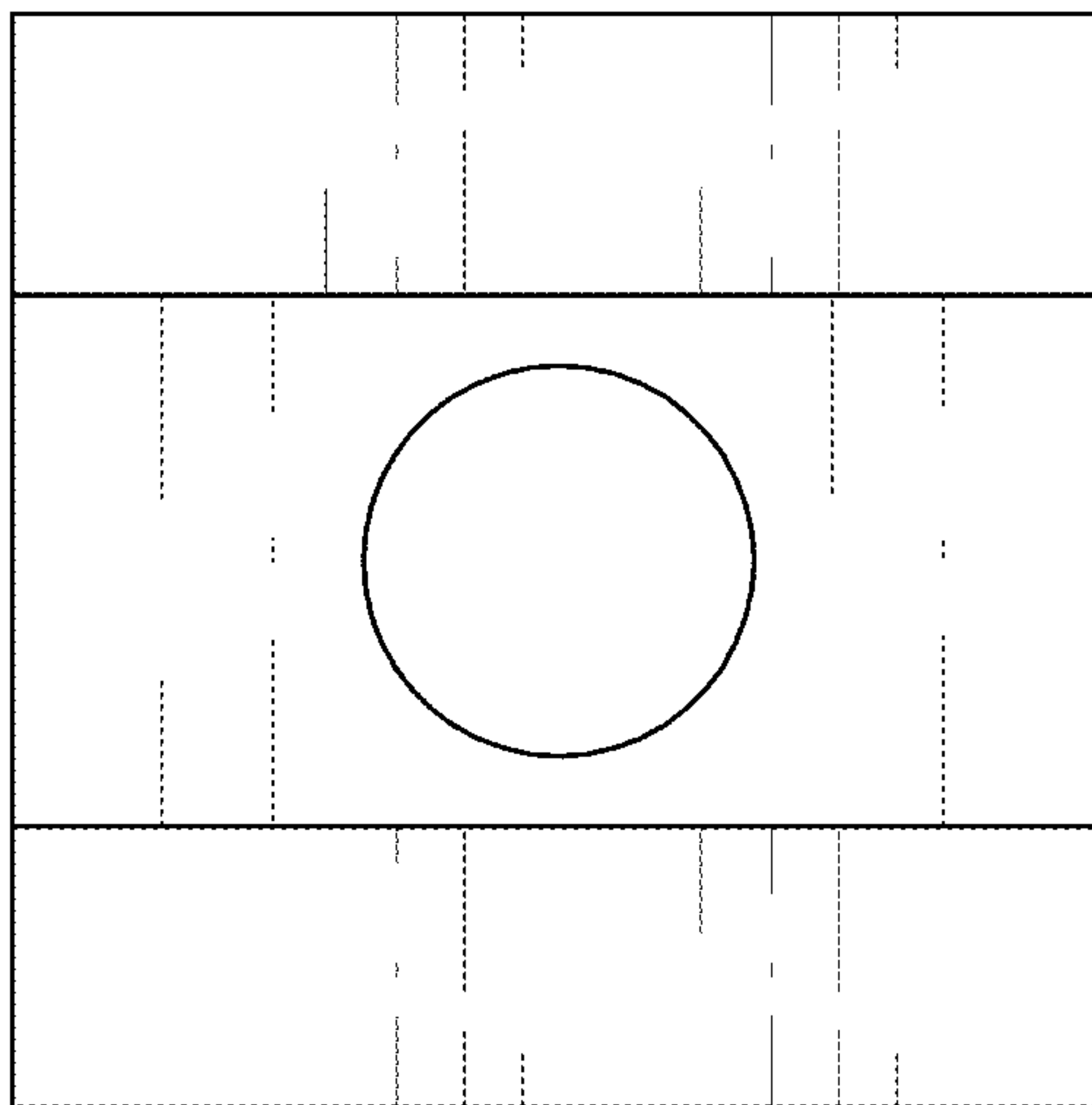


FIG. 4

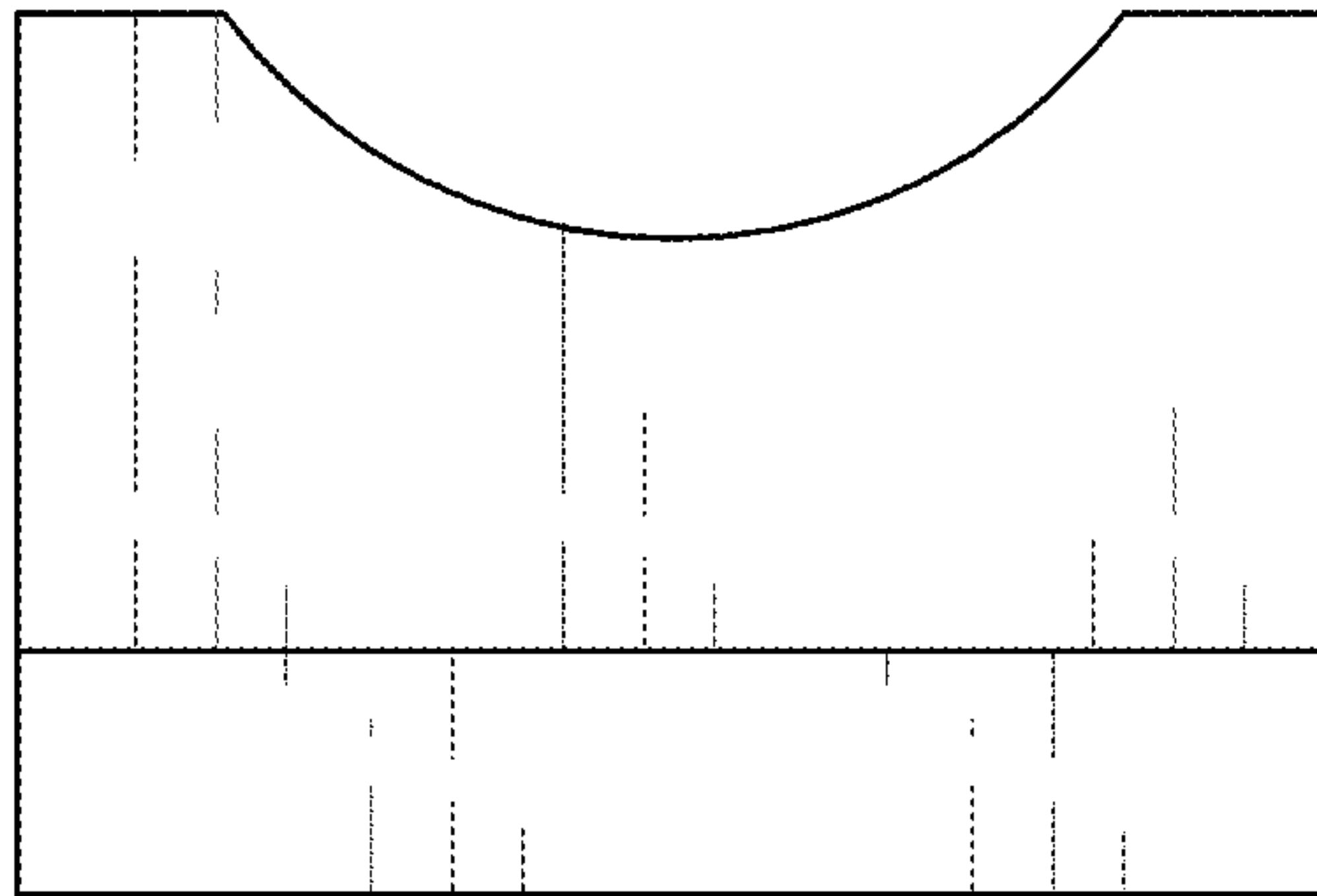


FIG. 5

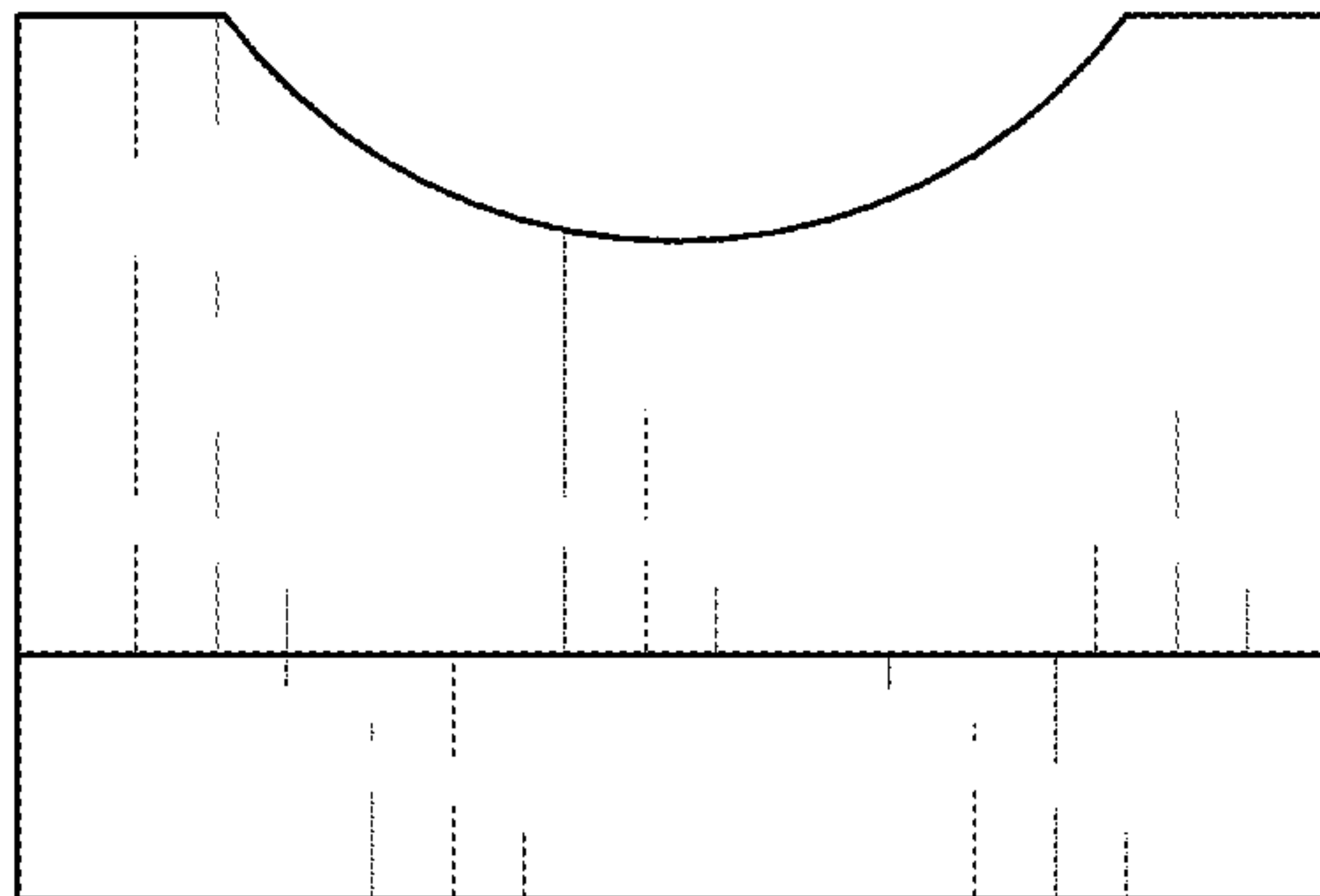


FIG. 6

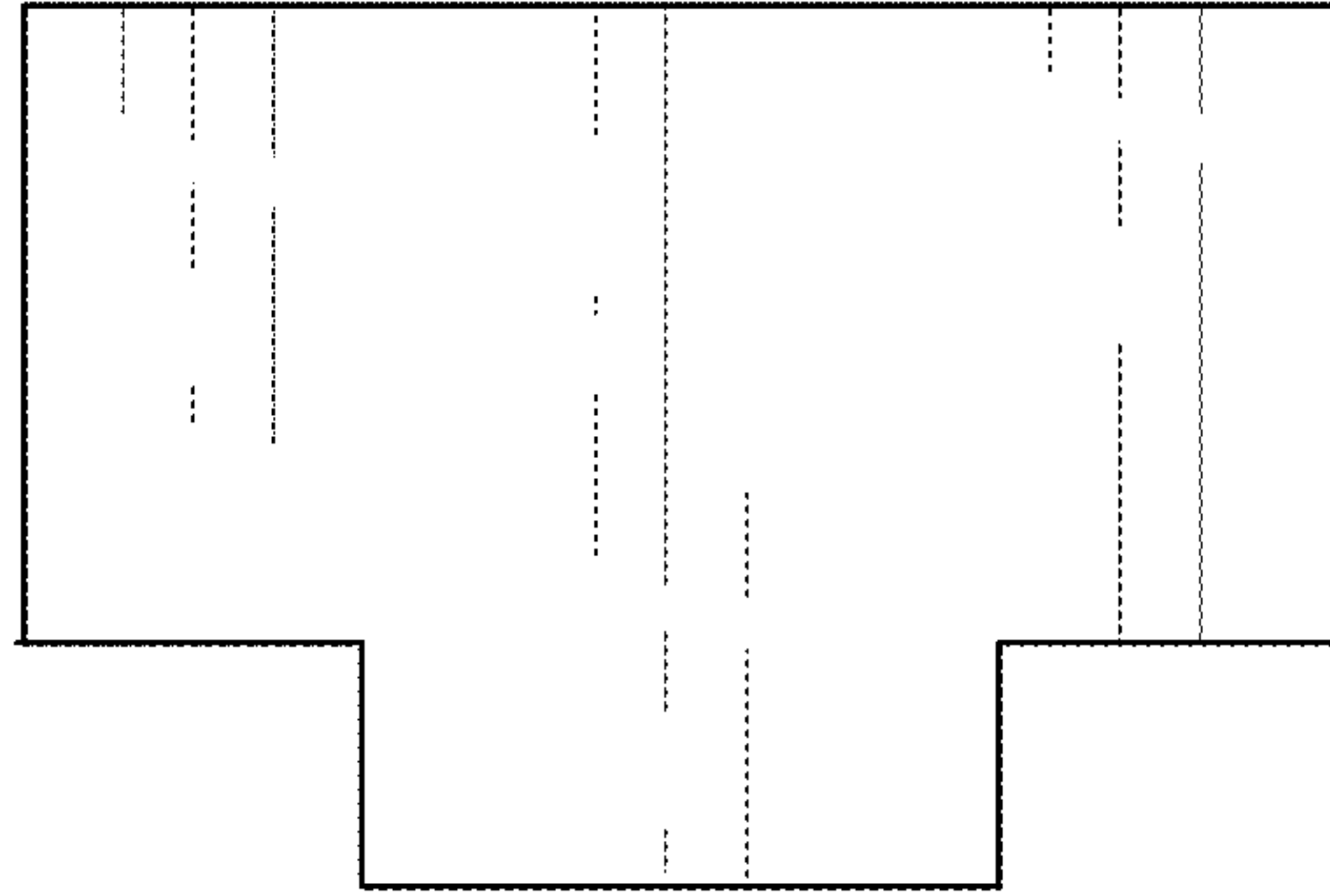


FIG. 7

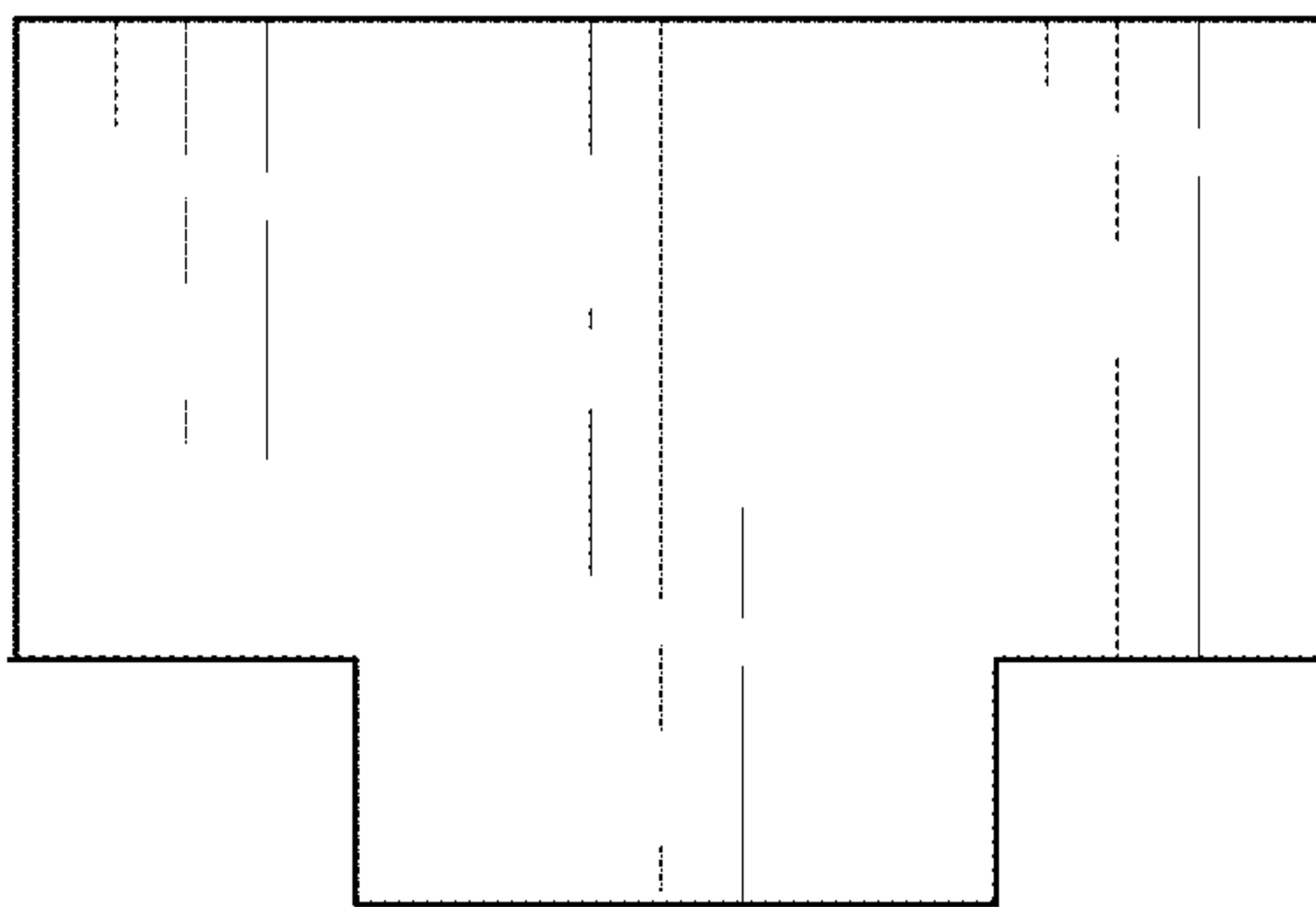


FIG. 8