



US00D920771S

(12) **United States Design Patent** (10) **Patent No.:** **US D920,771 S**
Ueda (45) **Date of Patent:** **** Jun. 1, 2021**

(54) **GUIDE RAIL FOR MOVABLE STORAGE RACKS**

(71) Applicant: **Panasonic Intellectual Property Management Co., Ltd., Osaka (JP)**

(72) Inventor: **Shigeyuki Ueda, Hyogo (JP)**

(73) Assignee: **Panasonic Intellectual Property Management Co., Ltd., Osaka (JP)**

(**) Term: **15 Years**

(21) Appl. No.: **29/716,862**

(22) Filed: **Dec. 12, 2019**

(30) **Foreign Application Priority Data**

Jun. 21, 2019 (JP) 2019-013754

(51) **LOC (13) Cl.** **08-05**

(52) **U.S. Cl.**
USPC **D8/381; D6/705**

(58) **Field of Classification Search**
USPC D25/119-125, 164; D8/349, 354, 376, D8/377, 380, 382, 381; D6/678.1, 678.4, D6/702, 705, 706
CPC ... A47B 47/00; A47B 47/0058; A47B 47/021; A47B 47/027; A47B 96/063; A47B 96/066; A47B 96/067; A47B 96/14; A47B 96/1433

See application file for complete search history.

(56) **References Cited**

U.S. PATENT DOCUMENTS

3,441,995 A * 5/1969 Nolan E06B 3/273 D25/121
D216,958 S * 3/1970 Dallaire D25/122
D221,529 S * 8/1971 Kimmel D25/119

4,151,691 A * 5/1979 Wendt E04B 2/82 D25/121
D290,404 S * 6/1987 Stoler D25/119
D301,626 S * 6/1989 Dallaire D25/124
4,838,000 A * 6/1989 Ljungkvist E04F 15/18 D25/119
D312,133 S * 11/1990 Westphal D25/119
D358,982 S * 6/1995 Bosgoed D25/122
D384,169 S * 9/1997 Leonelli D25/119
D425,215 S * 5/2000 Ginzel D25/119
D462,601 S * 9/2002 Chaney D25/119
D488,055 S * 4/2004 Ter Braak D8/377
D496,249 S * 9/2004 Liebendorfer D8/354
D583,071 S * 12/2008 Hull D25/124
D595,984 S * 7/2009 Kollman D6/580
D635,692 S * 4/2011 Wirthgen D25/119
D755,041 S * 5/2016 Weldon D8/377
D811,204 S * 2/2018 Weldon D8/377
D818,292 S * 5/2018 Yoshioka et al.
D872,884 S * 1/2020 Carter D25/119

* cited by examiner

Primary Examiner — Llorellys Martinez

(74) *Attorney, Agent, or Firm* — Brinks Gilson & Lione

(57) **CLAIM**

I claim the ornamental design for a guide rail for movable storage racks, as shown and described.

DESCRIPTION

FIG. 1 is a first perspective view of a guide rail for movable storage racks of the present invention;
FIG. 2 is a second perspective view thereof;
FIG. 3 is a front view thereof;
FIG. 4 is a rear view thereof;
FIG. 5 is a right side view thereof;
FIG. 6 is a left side view thereof;
FIG. 7 is a top view thereof; and,
FIG. 8 is a bottom view thereof.

1 Claim, 3 Drawing Sheets

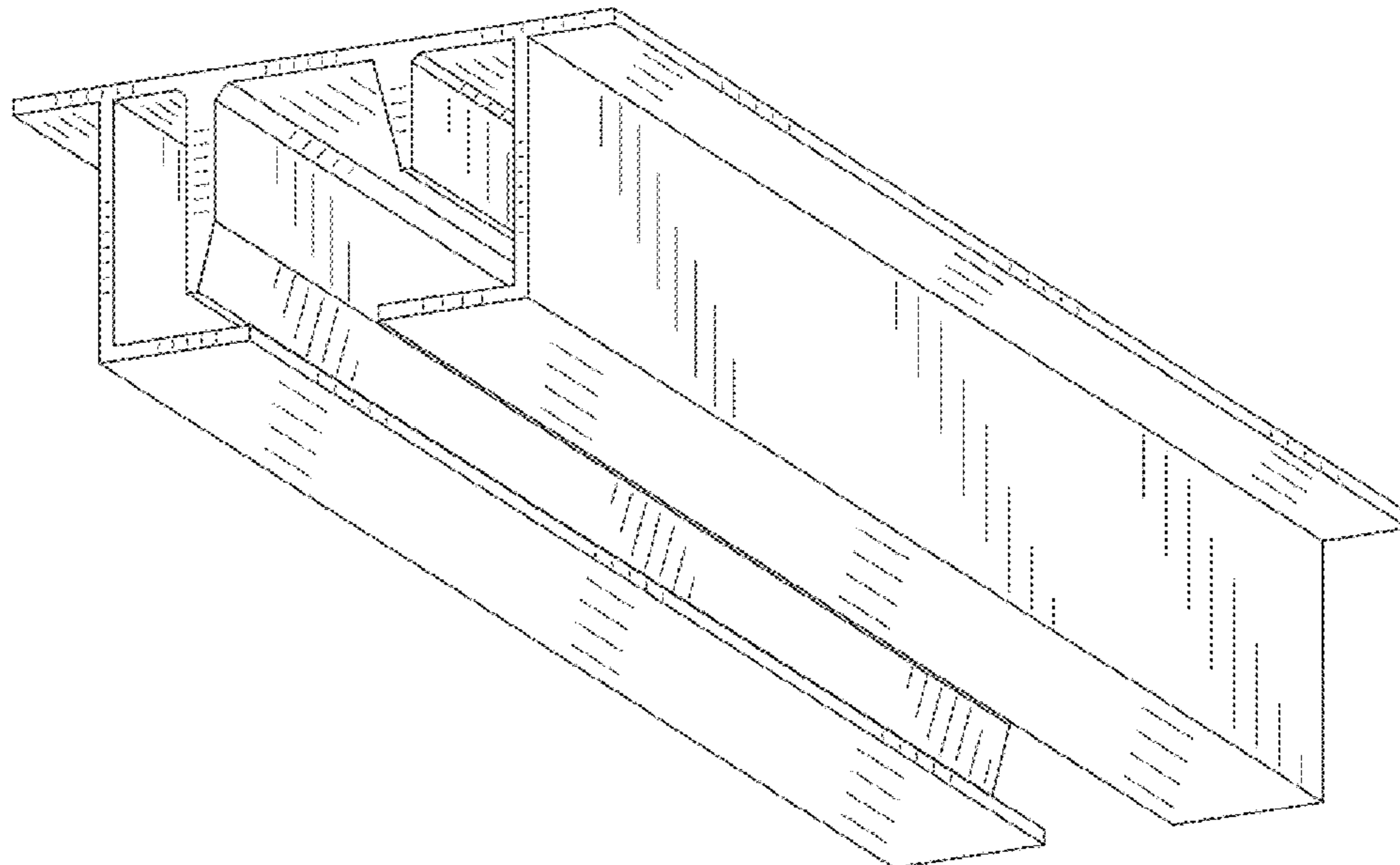


FIG. 1

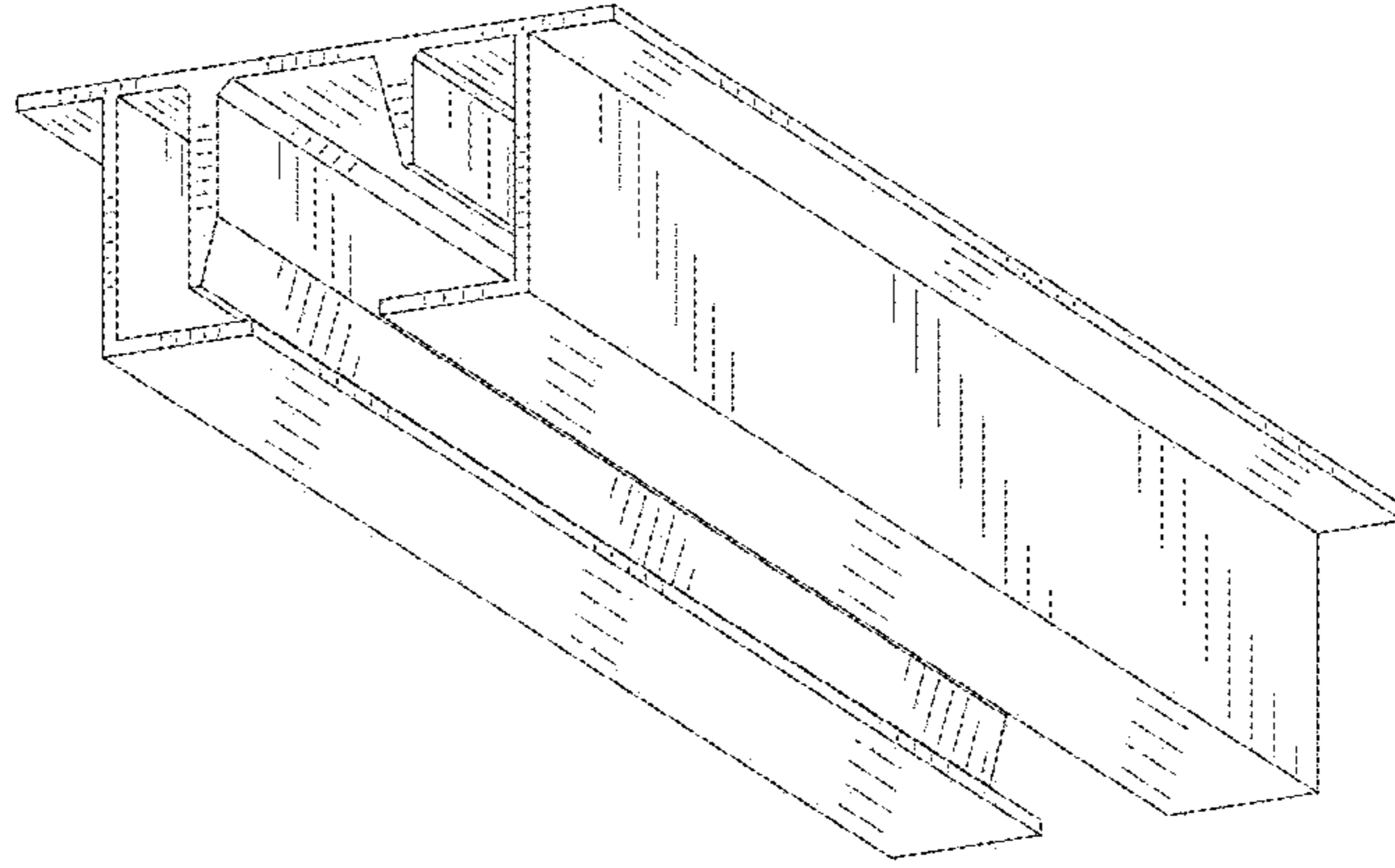


FIG. 2

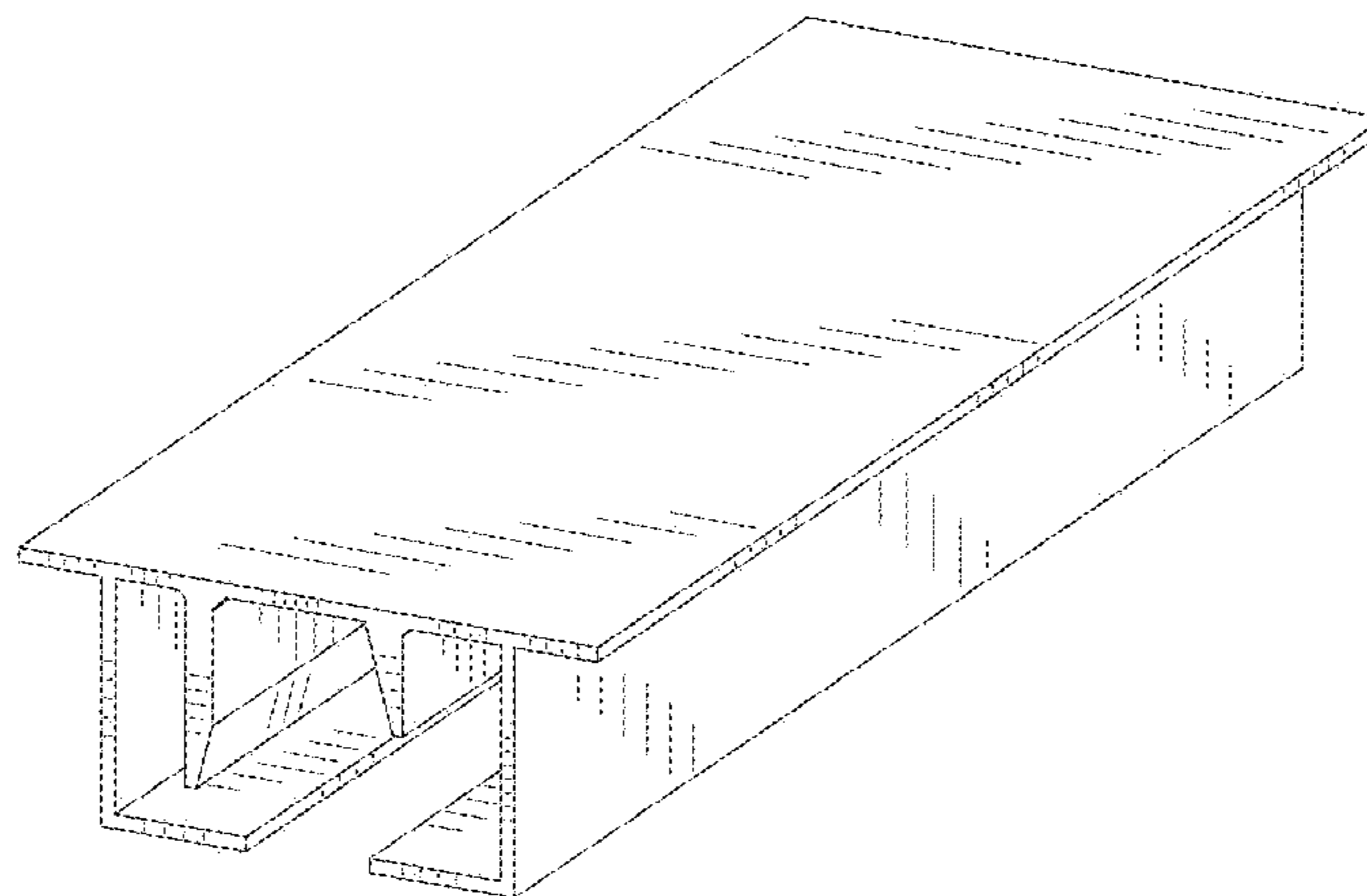


FIG. 3

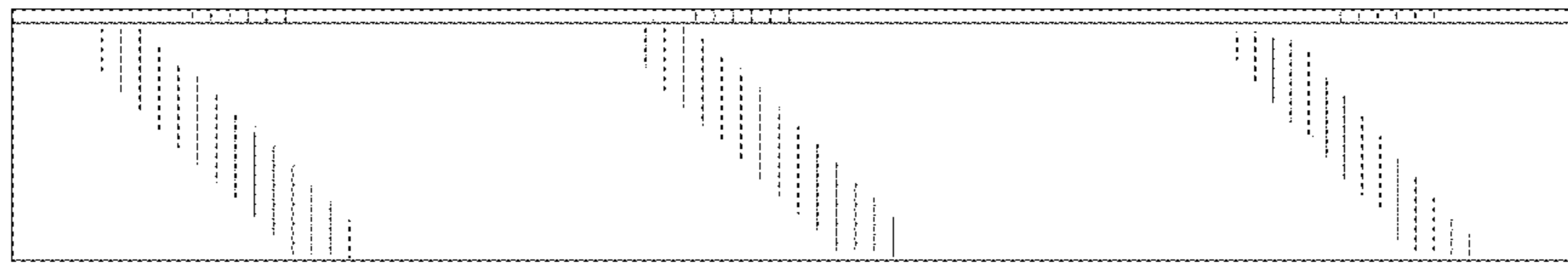


FIG. 4

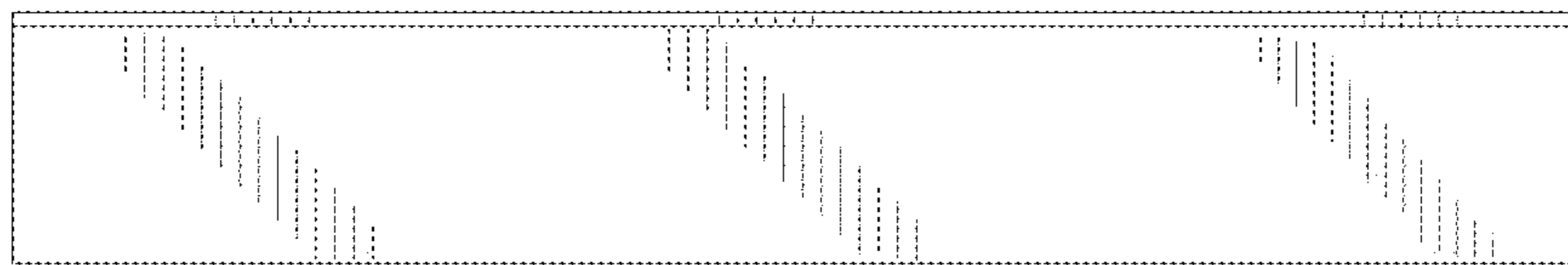


FIG. 5

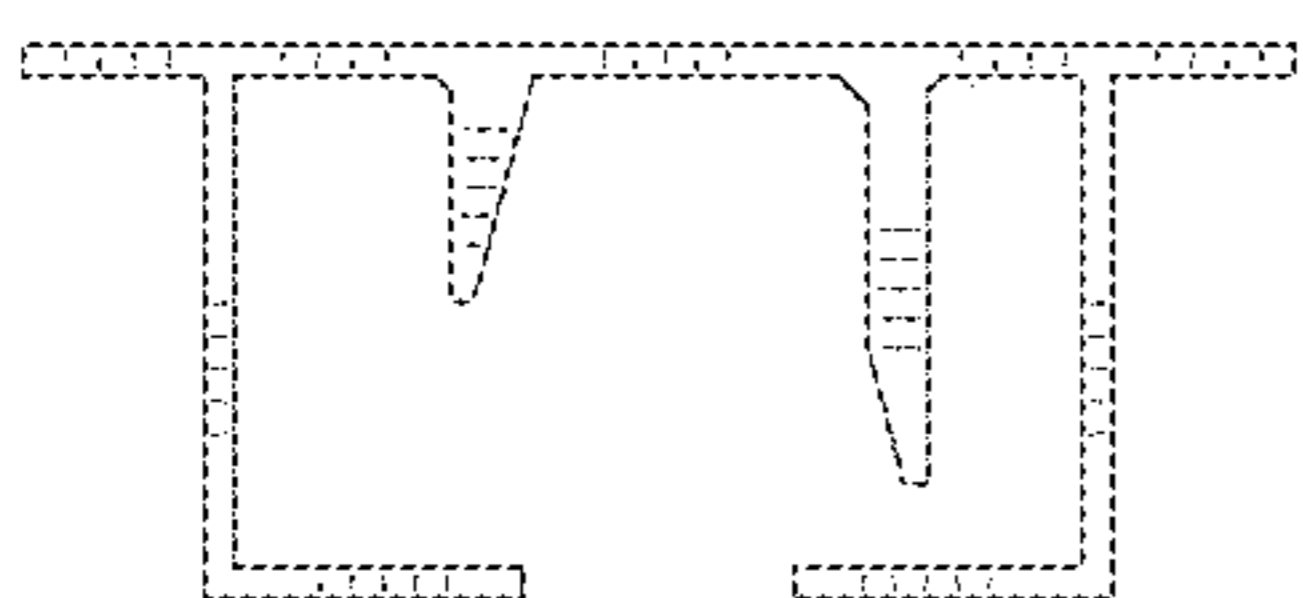


FIG. 6

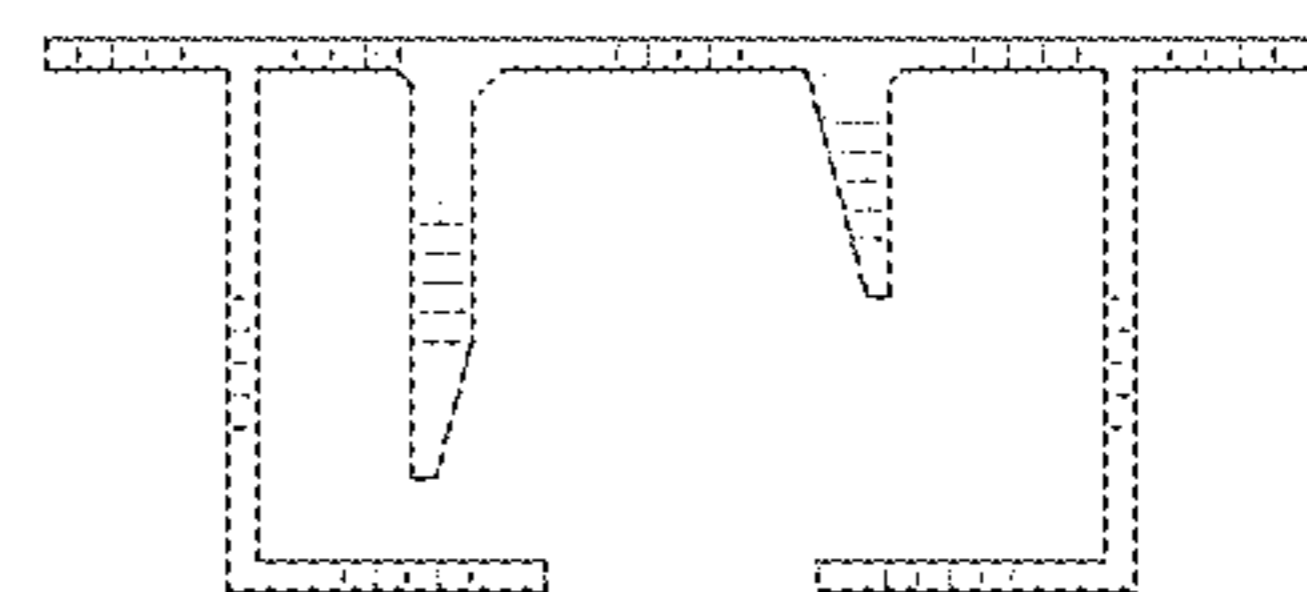


FIG. 7

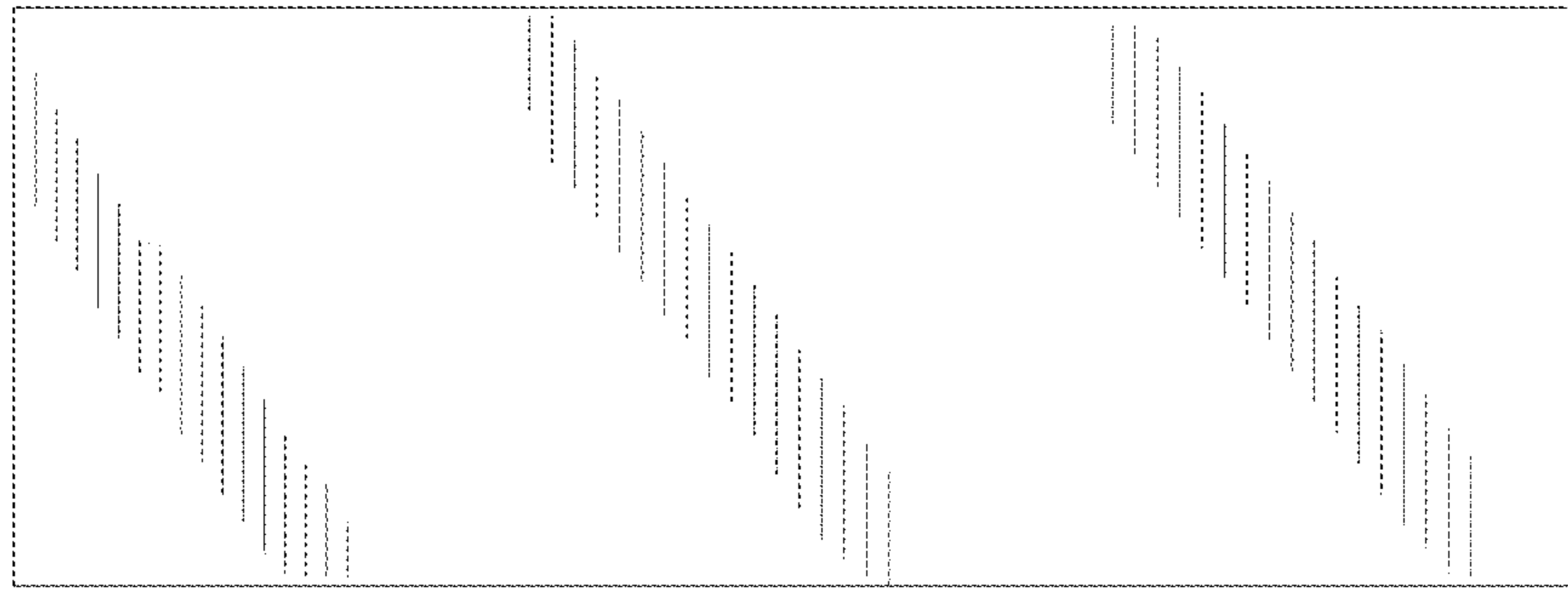


FIG. 8

