

US00D920770S

(12) **United States Design Patent**
Myerson

(10) **Patent No.:** **US D920,770 S**
(45) **Date of Patent:** **** Jun. 1, 2021**

(54) **MERCHANDISING CLIP HANGER**

(71) Applicant: **Maurice Myerson**, Atlanta, GA (US)

(72) Inventor: **Maurice Myerson**, Atlanta, GA (US)

(**) Term: **15 Years**

(21) Appl. No.: **29/640,432**

(22) Filed: **Mar. 14, 2018**

(51) **LOC (13) Cl.** **08-05**

(52) **U.S. Cl.**
USPC **D8/381**; D6/326

(58) **Field of Classification Search**
USPC D8/394, 381, 380, 373, 371, 366, 354,
D8/349, 361; D6/326
CPC A47B 57/40; A47B 57/408; A47B 96/067;
A47F 5/08
See application file for complete search history.

(56) **References Cited**

U.S. PATENT DOCUMENTS

D289,495 S * 4/1987 Hughes D6/567
D289,605 S * 5/1987 Lytle D8/381

D442,076 S * 5/2001 Swanson D8/373
D529,792 S * 10/2006 Klein D8/373
7,222,399 B2 * 5/2007 Eisenbraun A47F 5/0006
24/469
D825,319 S * 8/2018 Zussman D8/381
D856,718 S * 8/2019 Myerson D6/682.2
D884,465 S * 5/2020 Chen D8/382

* cited by examiner

Primary Examiner — Keli L Hill
Assistant Examiner — Harold E Blackwell, II
(74) *Attorney, Agent, or Firm* — Walter A. Rodgers

(57) **CLAIM**

The ornamental design for a merchandising clip hanger, as shown and described.

DESCRIPTION

FIG. 1 is a perspective view of a merchandising clip hanger showing my new design;
FIG. 2 is a top plan view thereof;
FIG. 3 is a bottom plan view thereof;
FIG. 4 is a left-side elevation view thereof;
FIG. 5 is a right-side elevation view thereof; and,
FIG. 6 is a front elevation view thereof, the rear being a mirror image thereof.

1 Claim, 5 Drawing Sheets

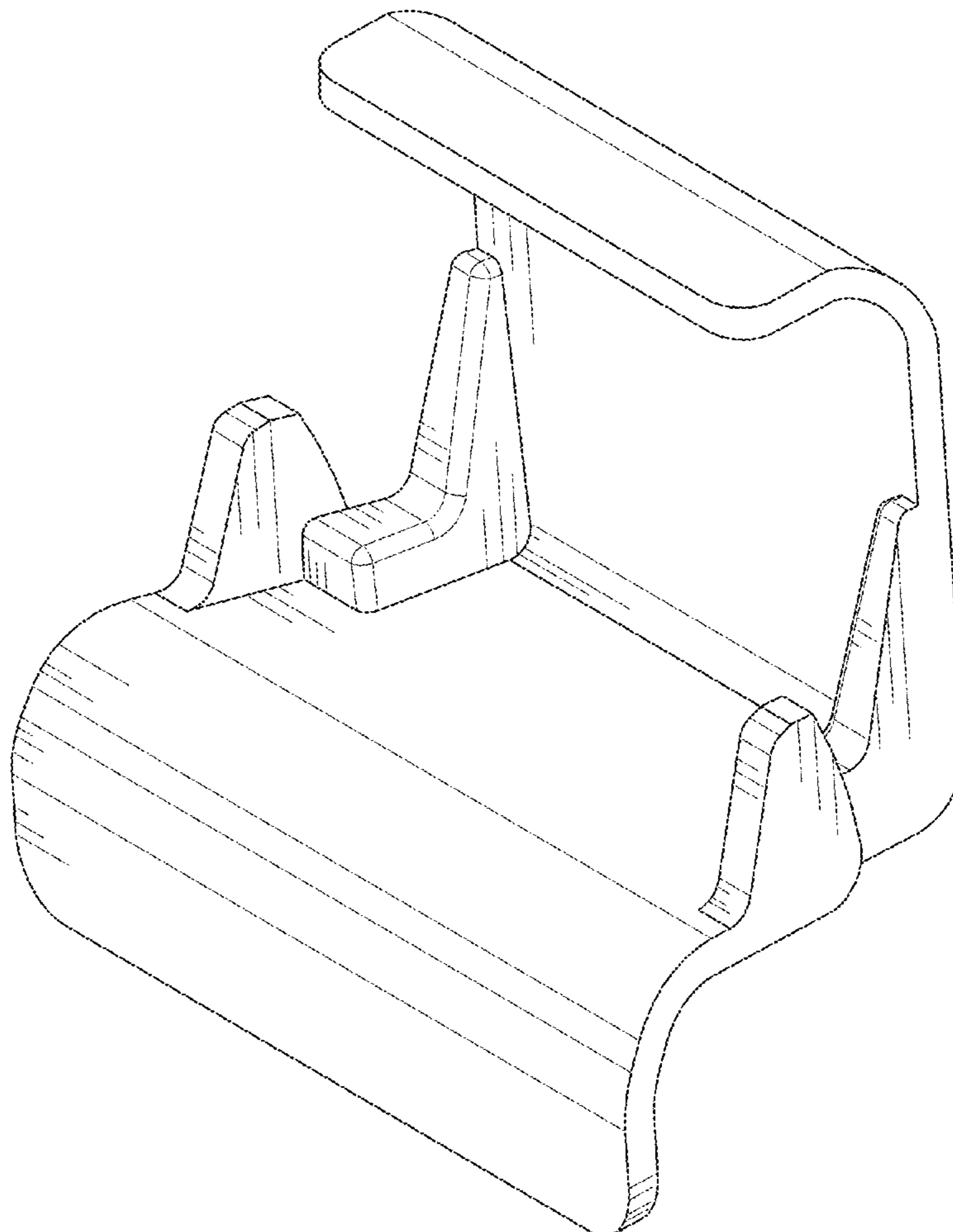


Fig 1

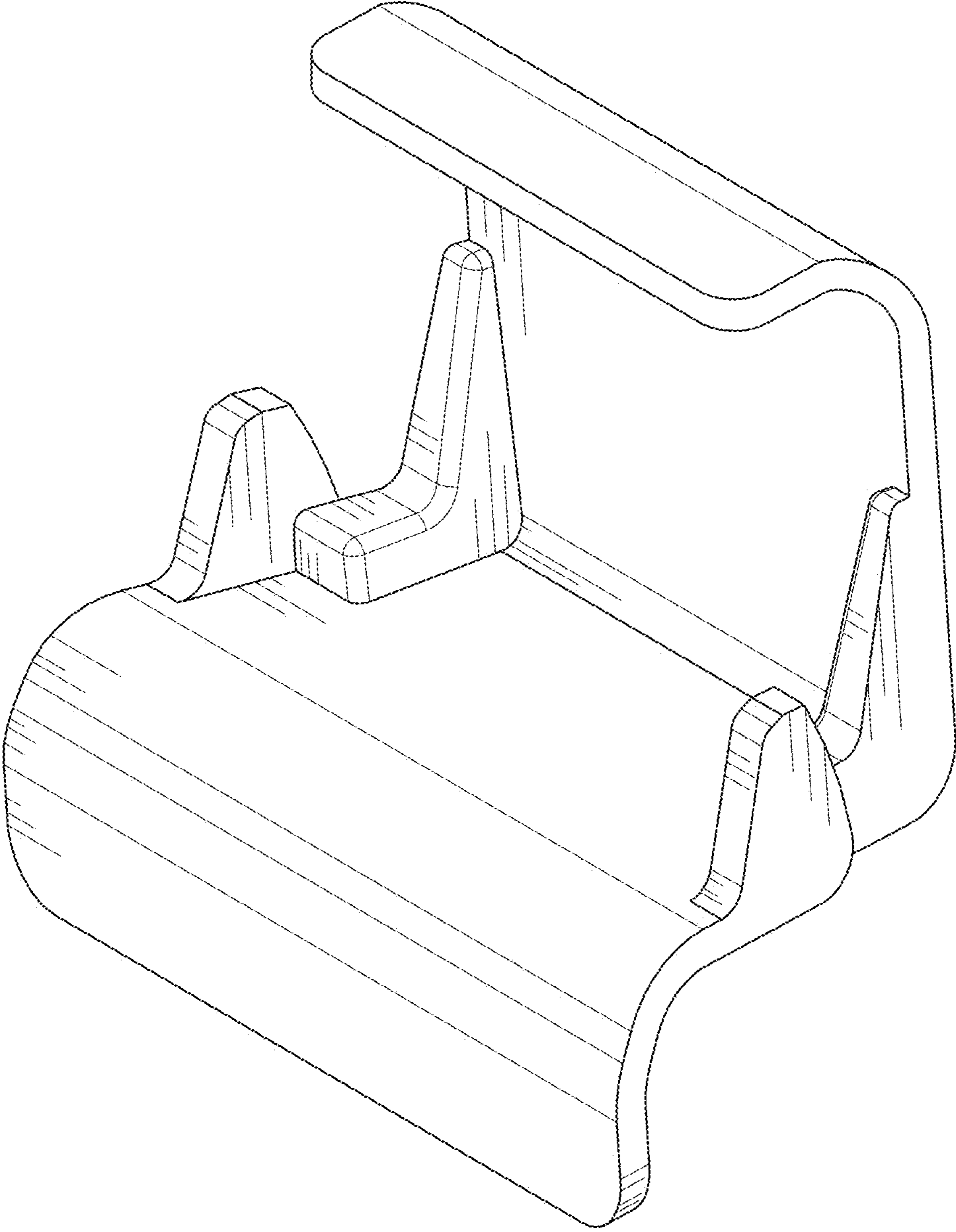


Fig 2

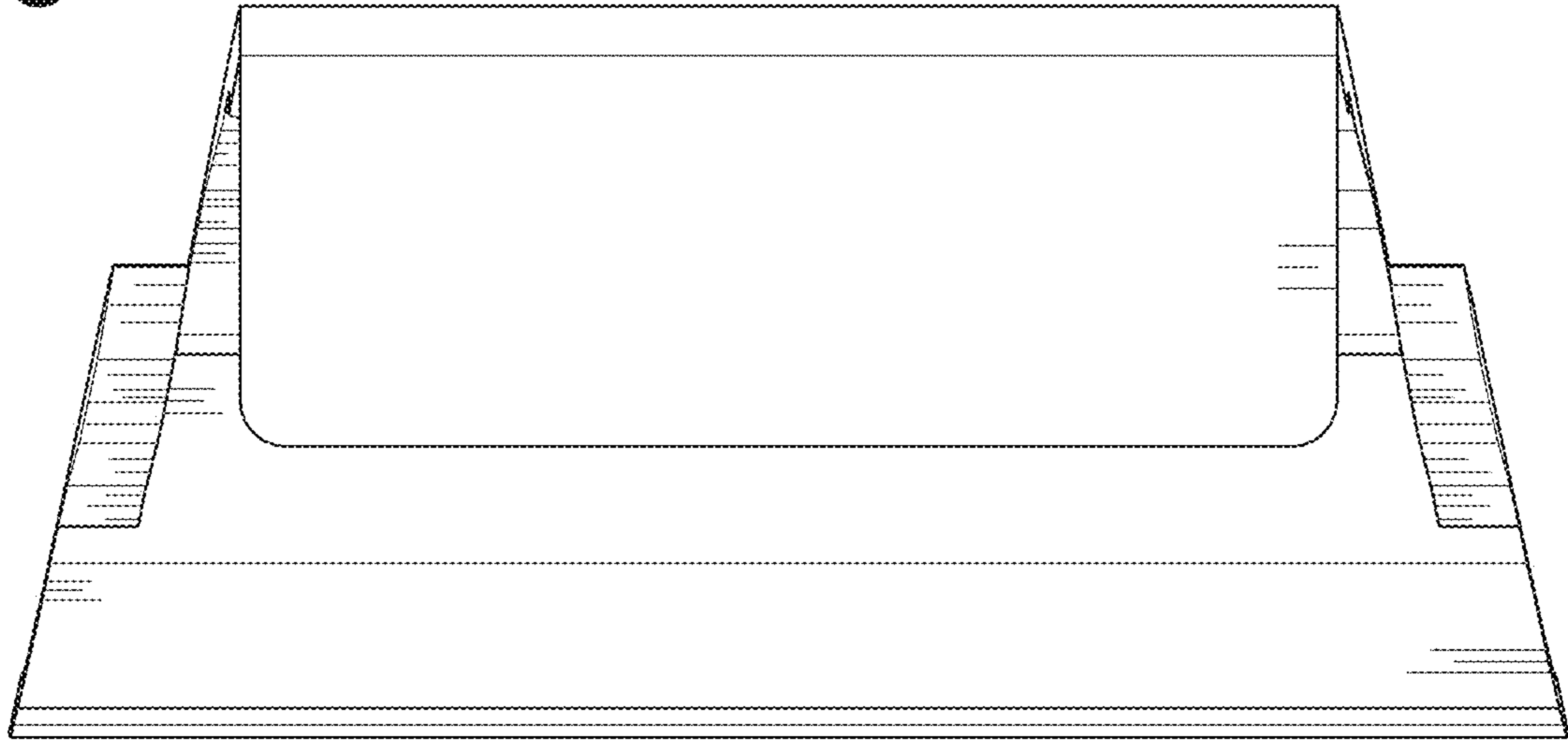


Fig 3

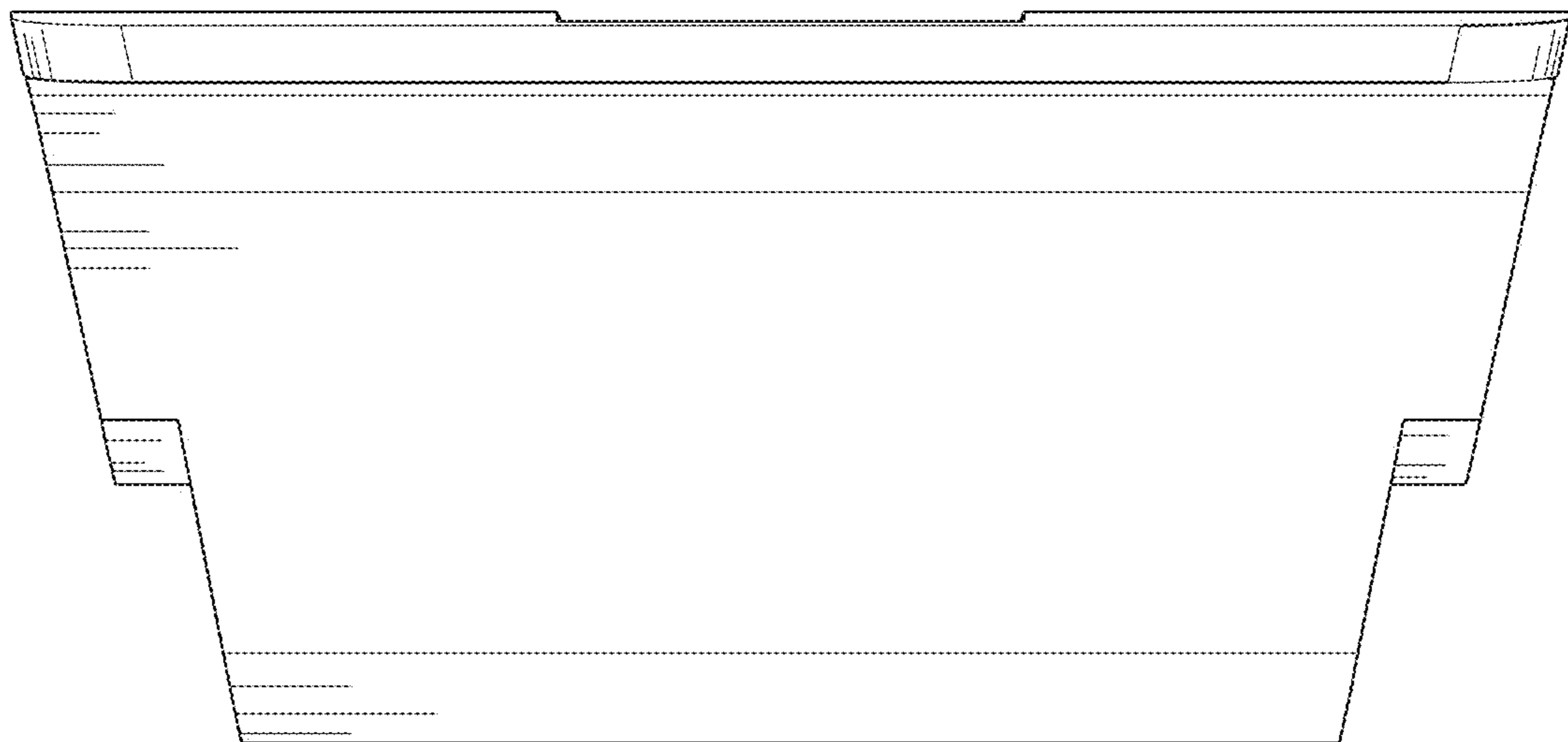


Fig 4

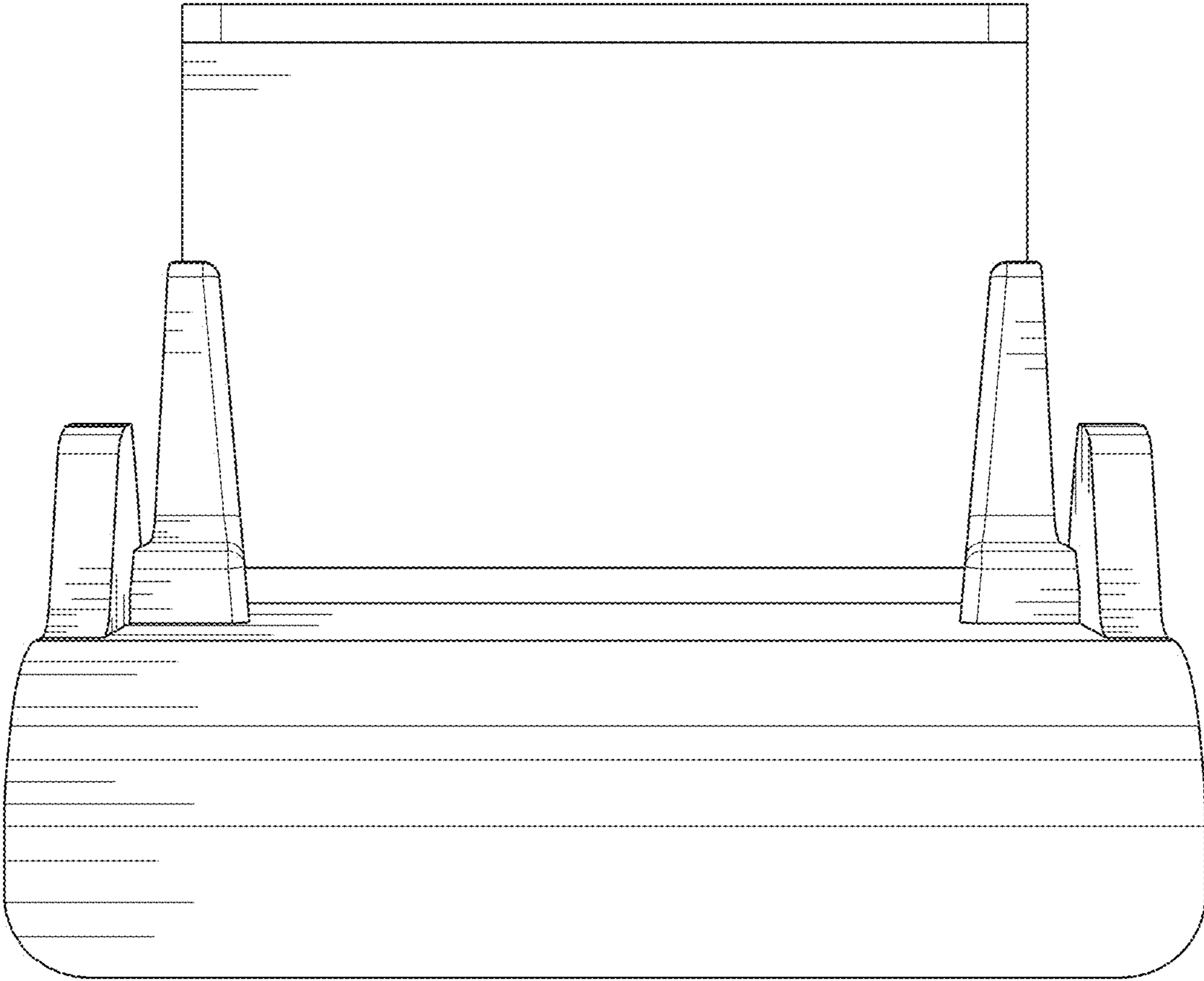


Fig 5

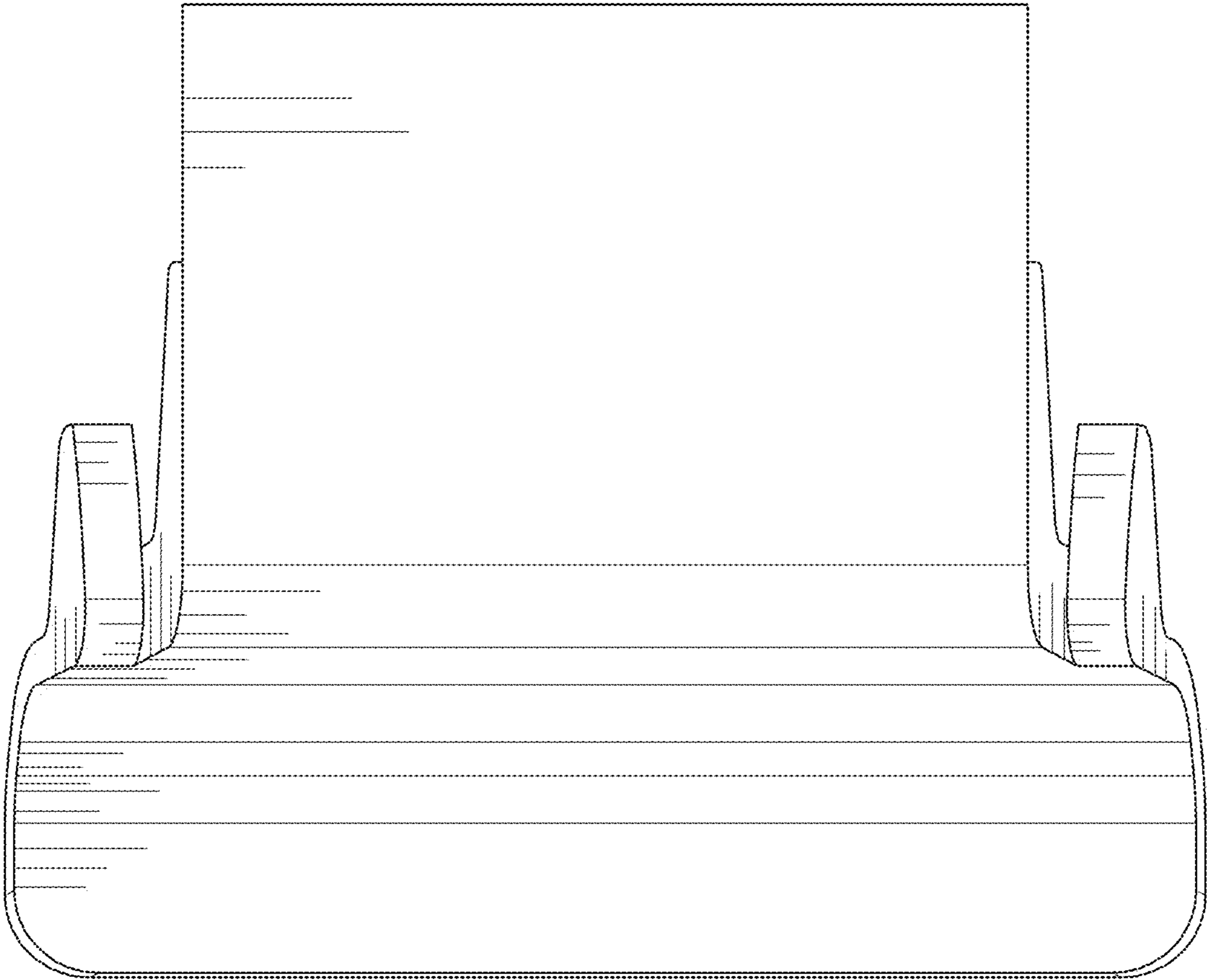


Fig 6

