



US00D920769S

(12) **United States Design Patent**  
**Kovacs**

(10) **Patent No.:** **US D920,769 S**

(45) **Date of Patent:** **\*\* Jun. 1, 2021**

(54) **RAIL MOUNT**

(71) Applicant: **PMC INDUSTRIES, INC.**, Plainville, CT (US)

(72) Inventor: **Tamas Kovacs**, Burlington, CT (US)

(73) Assignee: **PMC INDUSTRIES, INC.**, Plainville, CT (US)

(\*\*) Term: **15 Years**

(21) Appl. No.: **29/714,535**

(22) Filed: **Nov. 24, 2019**

(51) **LOC (13) Cl.** ..... **08-05**

(52) **U.S. Cl.**  
USPC ..... **D8/377; D25/164**

(58) **Field of Classification Search**  
USPC ..... D8/349, 354, 376, 377, 380, 382;  
D25/119-125, 138, 164  
CPC ..... E04D 13/00; E04D 13/076; E04D 13/10;  
E04D 13/103; E04D 13/106  
See application file for complete search history.

(56) **References Cited**

**U.S. PATENT DOCUMENTS**

D261,315 S	*	10/1981	Schmidt	.....	D25/119
D261,316 S	*	10/1981	Schmidt	.....	D25/119
D283,352 S	*	4/1986	Bancroft	.....	D25/119
D283,395 S	*	4/1986	Cox	.....	D25/119
D290,404 S	*	6/1987	Staler	.....	D25/119
D300,256 S	*	3/1989	Schmidt	.....	D25/119
D318,742 S	*	7/1991	Miller	.....	D25/119

D320,094 S	*	9/1991	Miller	.....	D25/119
D344,595 S	*	2/1994	Ehmke	.....	D25/119
D619,447 S	*	7/2010	Liu	.....	D8/354
D647,634 S	*	10/2011	Pensi	.....	D25/124
D672,888 S	*	12/2012	Veryser	.....	D25/124
D737,671 S	*	9/2015	Chou	.....	D8/376
D745,192 S	*	12/2015	Suciu	.....	D25/119
D755,041 S	*	5/2016	Weldon	.....	D8/377
D811,204 S	*	2/2018	Weldon	.....	D8/377
D833,175 S	*	11/2018	Miroshnichenko	.....	D6/580
D872,884 S	*	1/2020	Carter	.....	D25/119
D877,364 S	*	3/2020	Carter	.....	D25/38.1
2017/0073974 A1	*	3/2017	Kovacs	.....	E04D 13/10
2018/0119425 A1	*	5/2018	Kovacs	.....	E04D 13/10

\* cited by examiner

*Primary Examiner* — L Lorelys Martinez

(74) *Attorney, Agent, or Firm* — Damian Wasserbauer, Esq.; Wasserbauer Law LLC

(57) **CLAIM**

The ornamental design for a rail mount, as shown and described.

**DESCRIPTION**

FIG. 1 is a perspective view of a rail mount showing my new design;

FIG. 2 is a front view of the rail mount thereof;

FIG. 3 is a back view of the rail mount thereof;

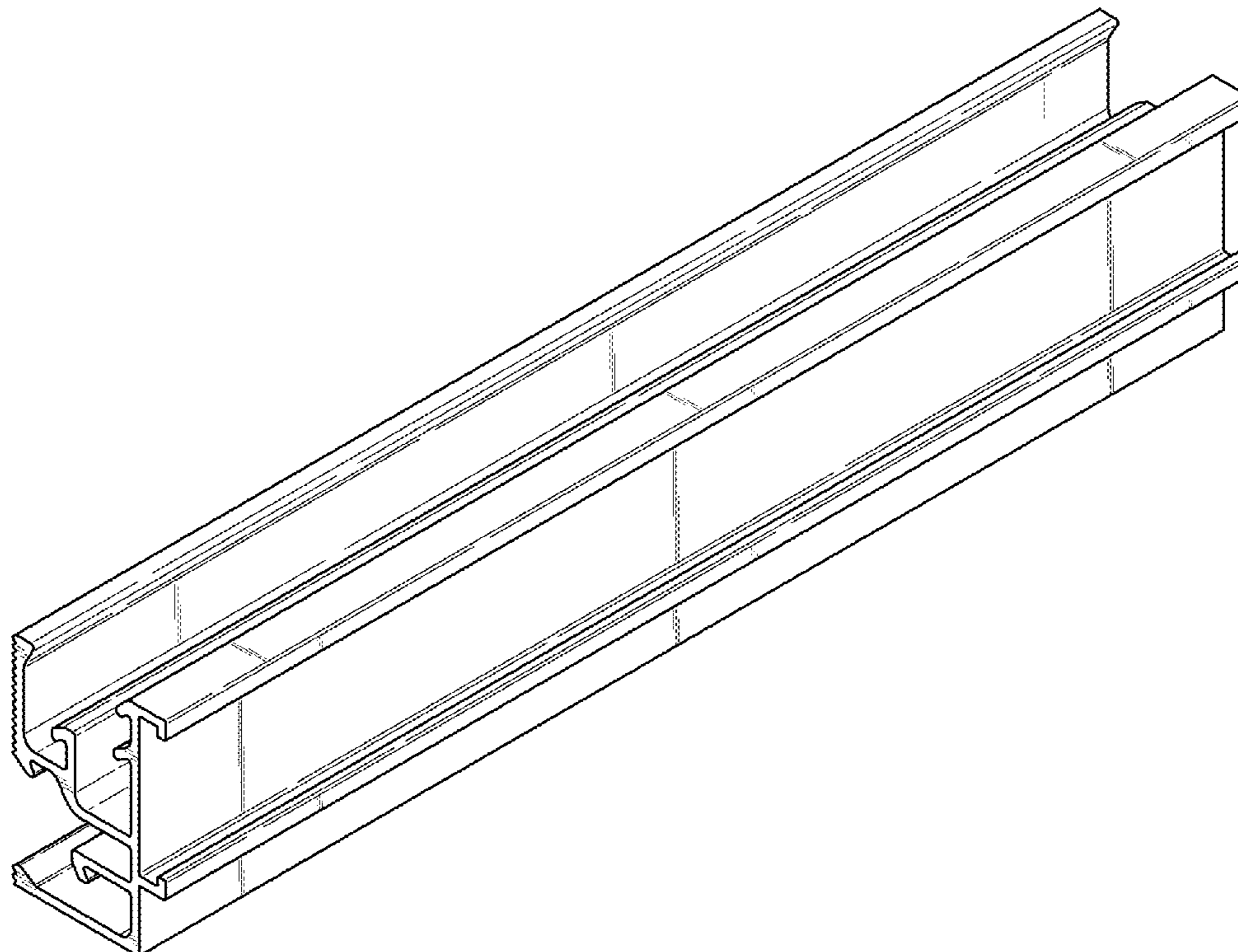
FIG. 4 is a left side view of the rail mount thereof;

FIG. 5 is a right side view of the rail mount thereof;

FIG. 6 is a top view of the rail mount thereof; and,

FIG. 7 is a bottom view of the rail mount thereof.

**1 Claim, 7 Drawing Sheets**



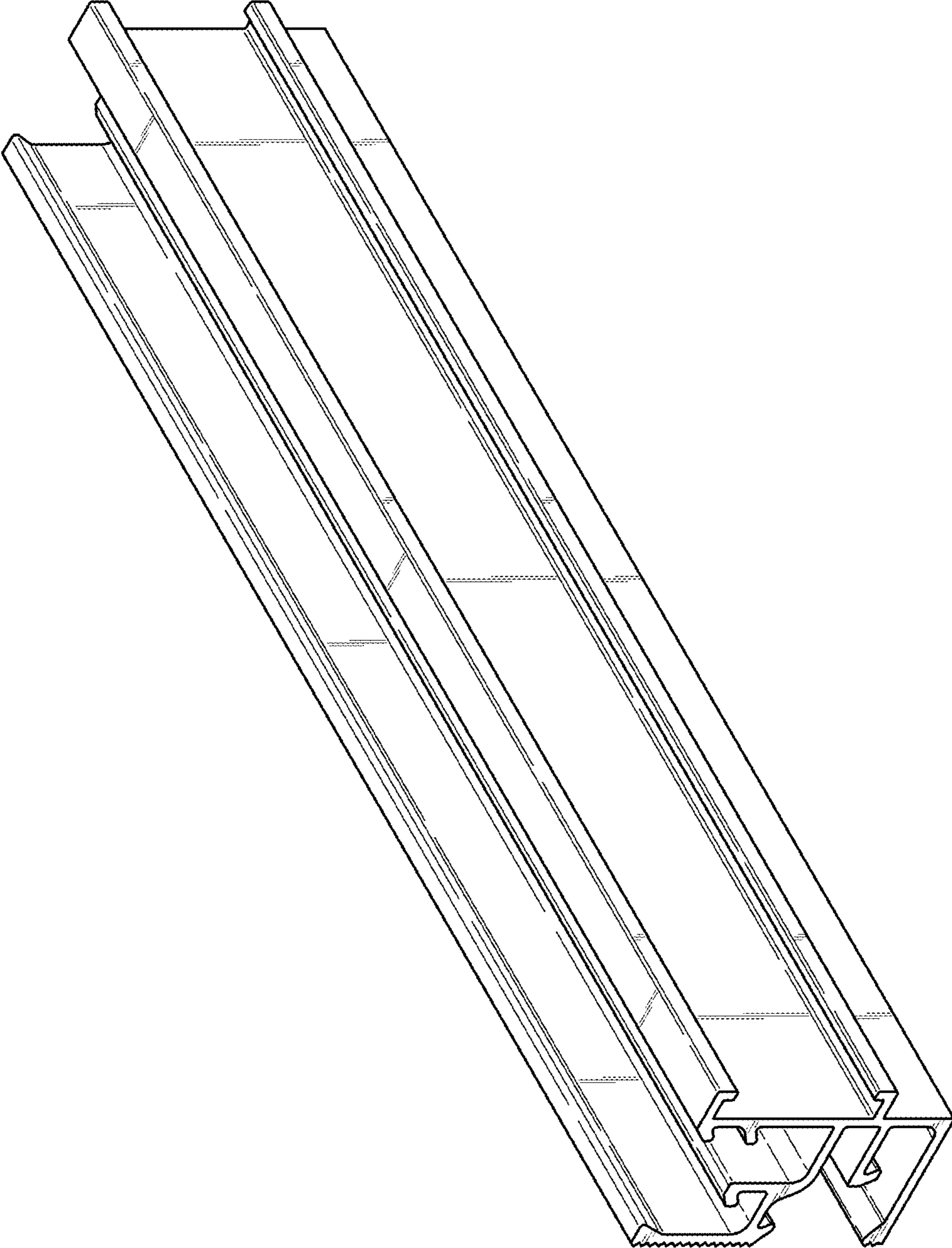


FIG. 1

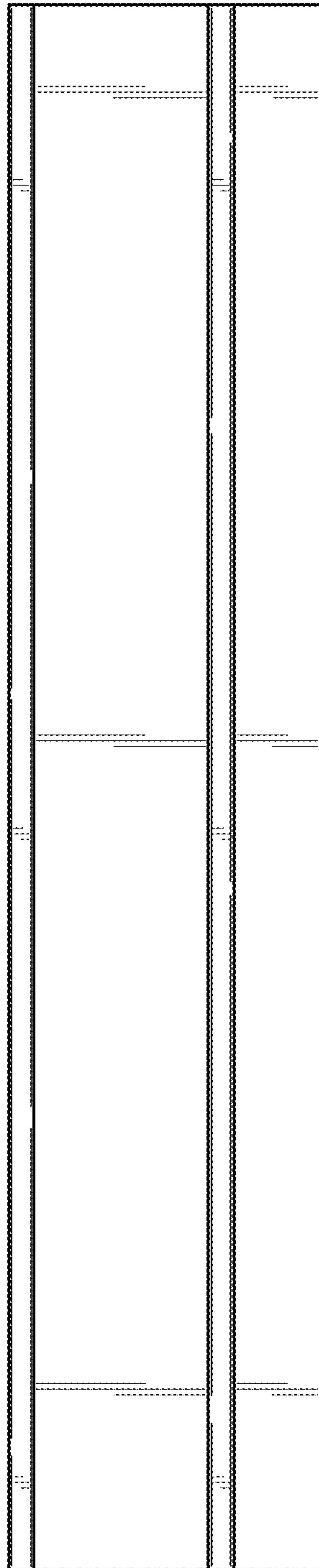


FIG. 2



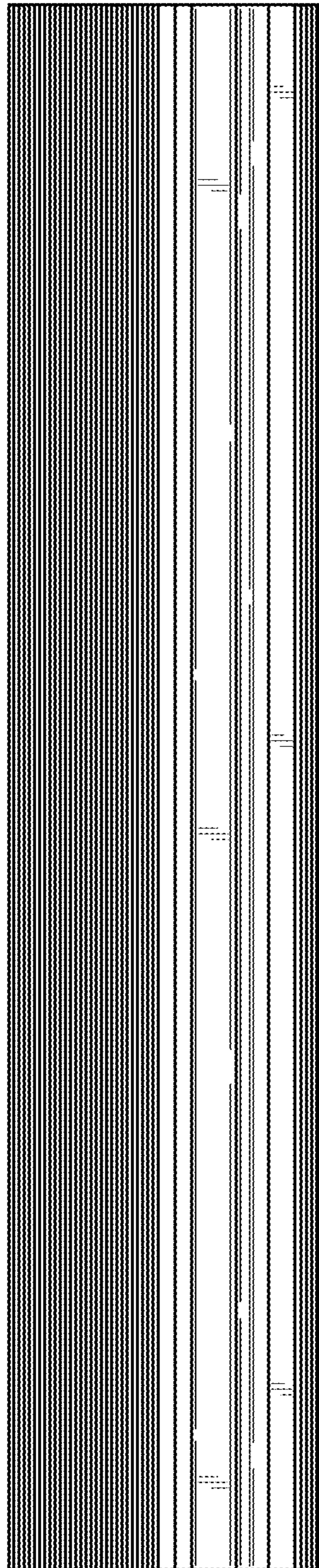


FIG. 3

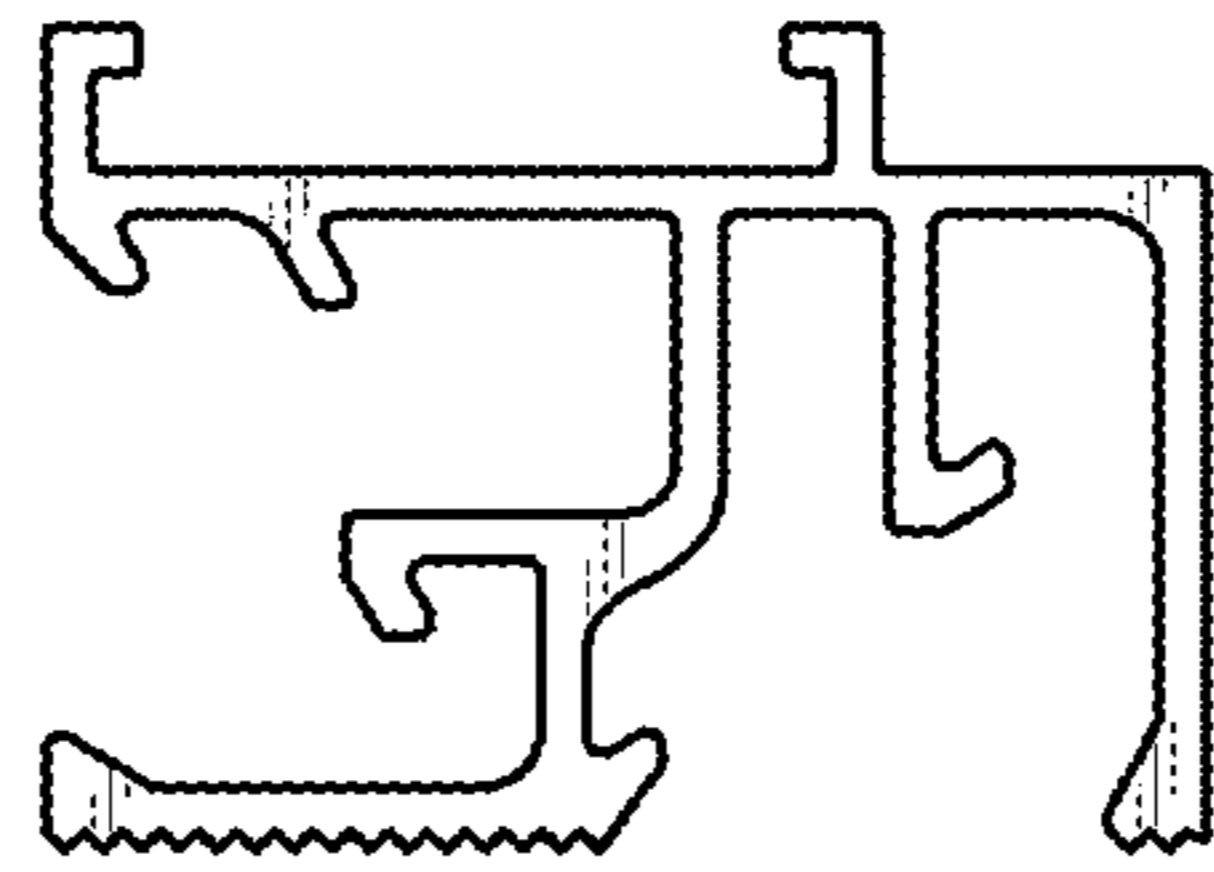


FIG. 4

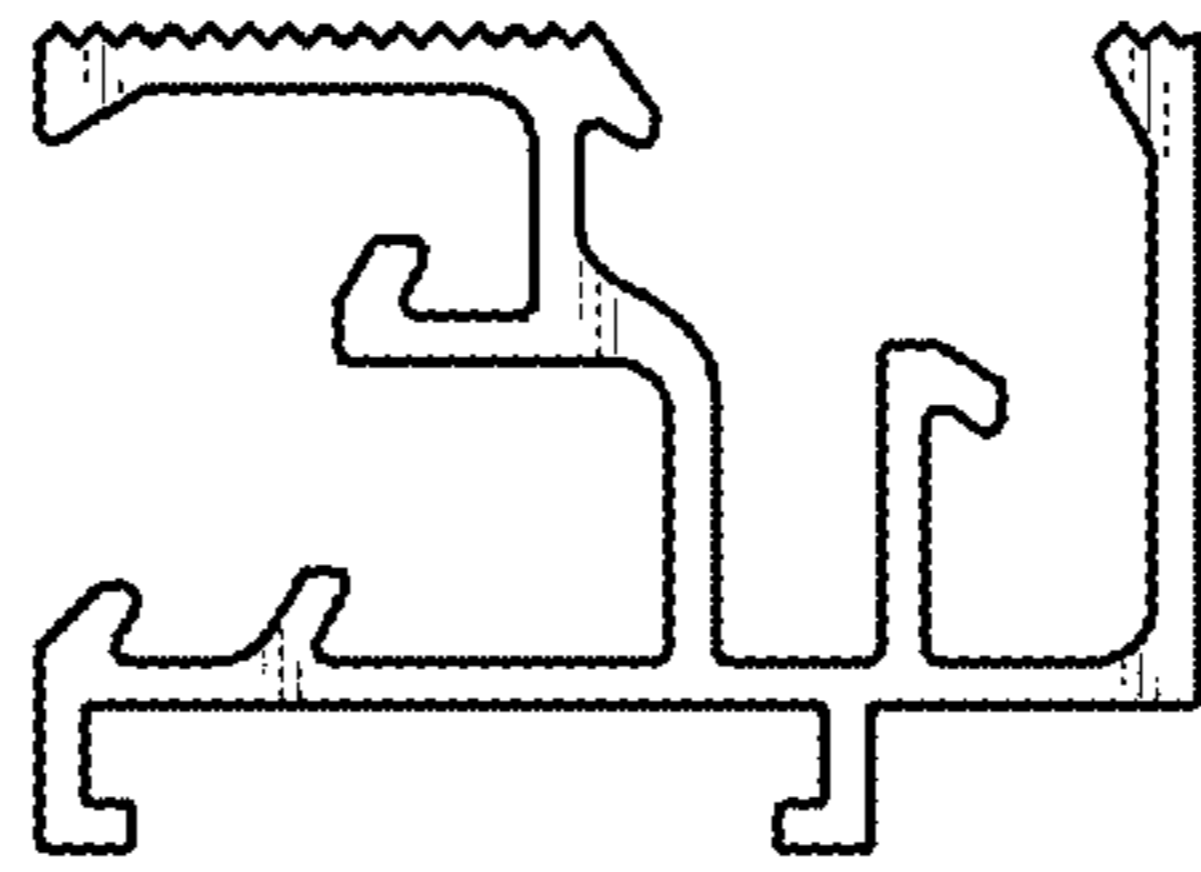


FIG. 5

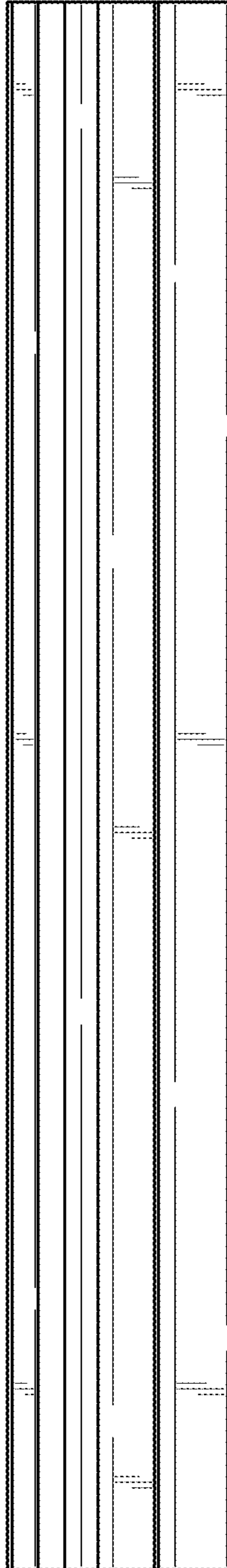


FIG. 6

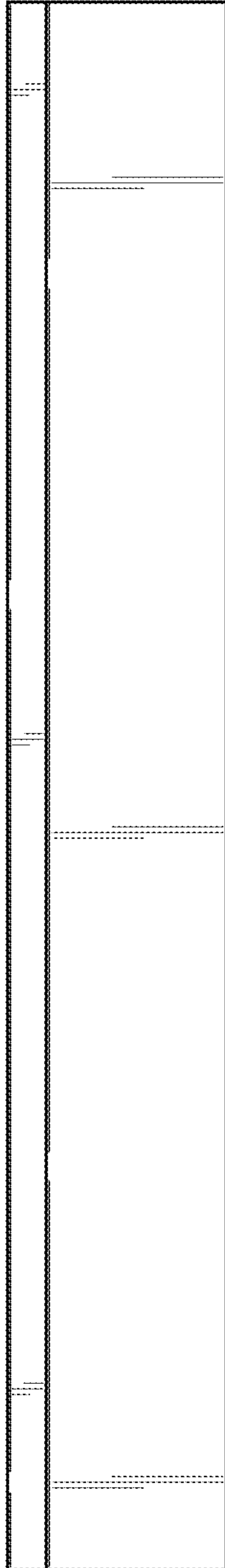


FIG. 7