



US00D920768S

(12) **United States Design Patent**
Myerson

(10) **Patent No.:** **US D920,768 S**

(45) **Date of Patent:** **** Jun. 1, 2021**

(54) **MERCHANDISING CLIP HANGER**

(71) Applicant: **Maurice Myerson**, Atlanta, GA (US)

(72) Inventor: **Maurice Myerson**, Atlanta, GA (US)

(**) Term: **15 Years**

(21) Appl. No.: **29/637,157**

(22) Filed: **Feb. 14, 2018**

(51) **LOC (13) Cl.** **08-05**

(52) **U.S. Cl.**
USPC **D8/373**

(58) **Field of Classification Search**
USPC D8/354, 373, 380, 381; D6/682
CPC .. A47F 5/08; A47F 5/0068; A47F 1/00; A47F
5/0876; A47F 5/0807
See application file for complete search history.

(56) **References Cited**

U.S. PATENT DOCUMENTS

D265,381 S *	7/1982	Borja	D18/34.9
D289,495 S *	4/1987	Hughes	D6/567
D315,669 S *	3/1991	Paul	D8/367
5,316,252 A *	5/1994	Charnow	A47F 5/08
				211/85.1
5,456,435 A *	10/1995	Sweeney	A47B 57/40
				211/90.01
5,908,119 A *	6/1999	Kump	A47F 5/0068
				211/113
5,924,246 A *	7/1999	Jurgens	G09F 7/18
				248/317
D651,257 S *	12/2011	Garfinkle	D20/43

D671,820 S *	12/2012	Henderson	D8/373
D675,511 S *	2/2013	Gary	D8/395
D729,618 S *	5/2015	Bastien	D8/373
D815,936 S *	4/2018	Naslund	D8/356
D833,262 S *	11/2018	Royak	D8/373
D856,718 S *	8/2019	Myerson	D6/682.2
D892,602 S *	8/2020	White	D8/380
2007/0251905 A1 *	11/2007	Trotta	A47F 5/0068
				211/119.003
2008/0105636 A1 *	5/2008	Lawson	A47F 5/0846
				211/94.01
2008/0105637 A1 *	5/2008	Lawson	A47F 5/0853
				211/94.01
2017/0095068 A1 *	4/2017	Moreau	B25H 3/04
2020/0352362 A1 *	11/2020	Kaiser	A47F 5/0884

* cited by examiner

Primary Examiner — Lauren R Calve

(74) *Attorney, Agent, or Firm* — Walter A. Rodgers

(57) **CLAIM**

The ornamental design for a merchandising clip hanger, as shown and described.

DESCRIPTION

FIG. 1 is a perspective view of a merchandising clip hanger showing my new design;
FIG. 2 is a top plan view thereof;
FIG. 3 is a bottom plan view thereof;
FIG. 4 is a left-side elevation view thereof;
FIG. 5 is a right-side elevation view thereof;
FIG. 6 is a front elevation view thereof; and,
FIG. 7 is a rear elevation view thereof.

1 Claim, 6 Drawing Sheets

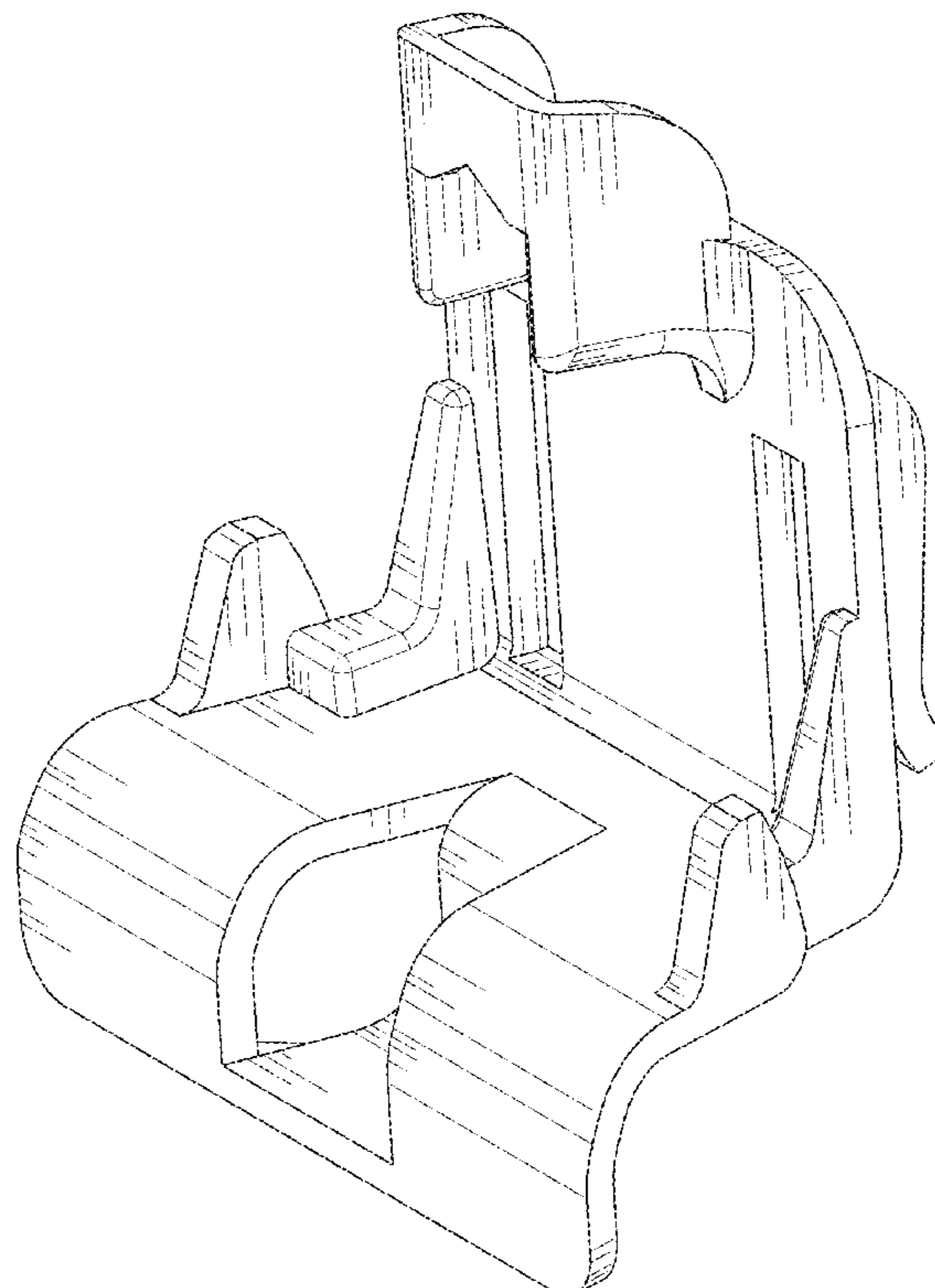


Fig 1

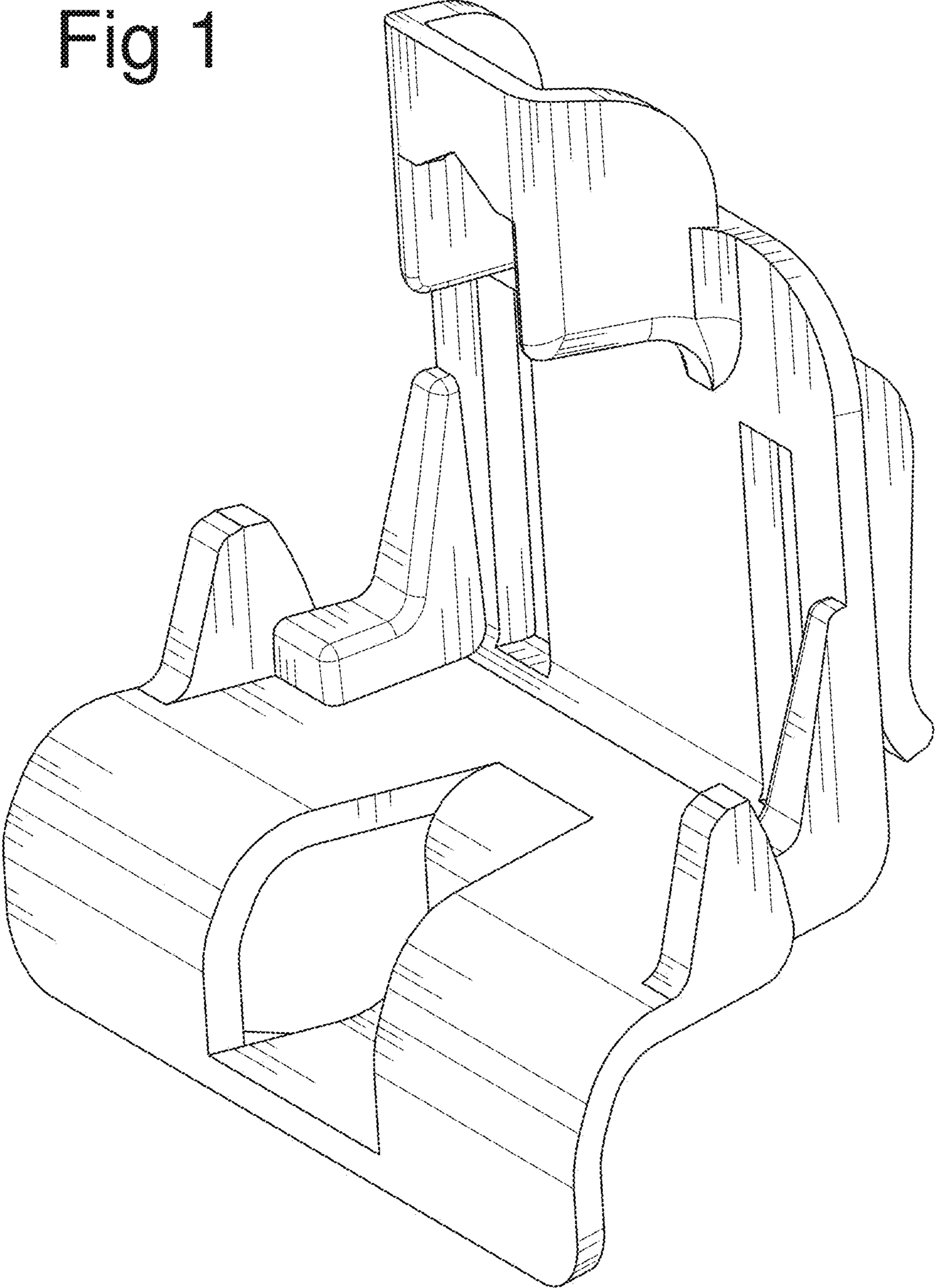


Fig 2

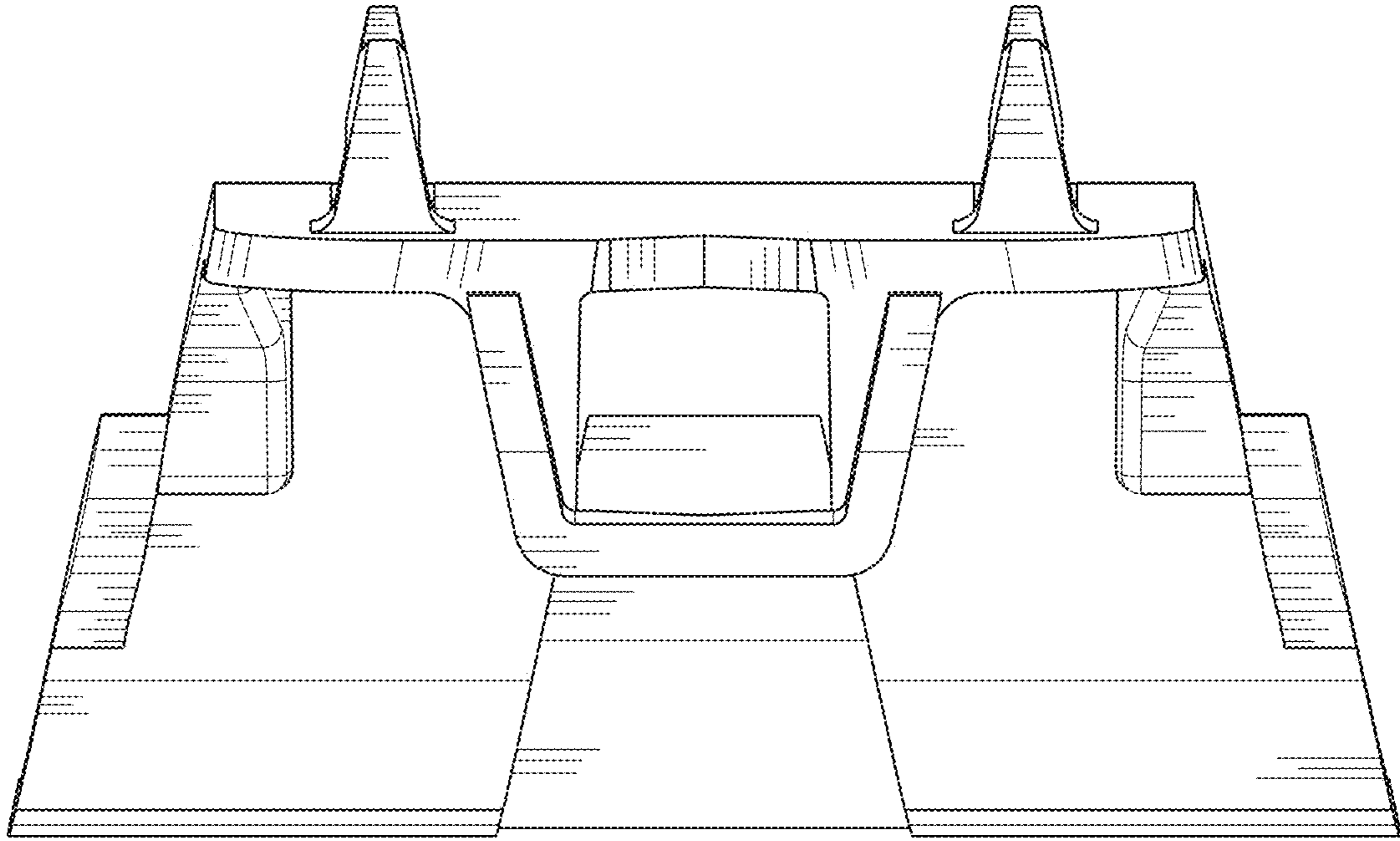


Fig 3

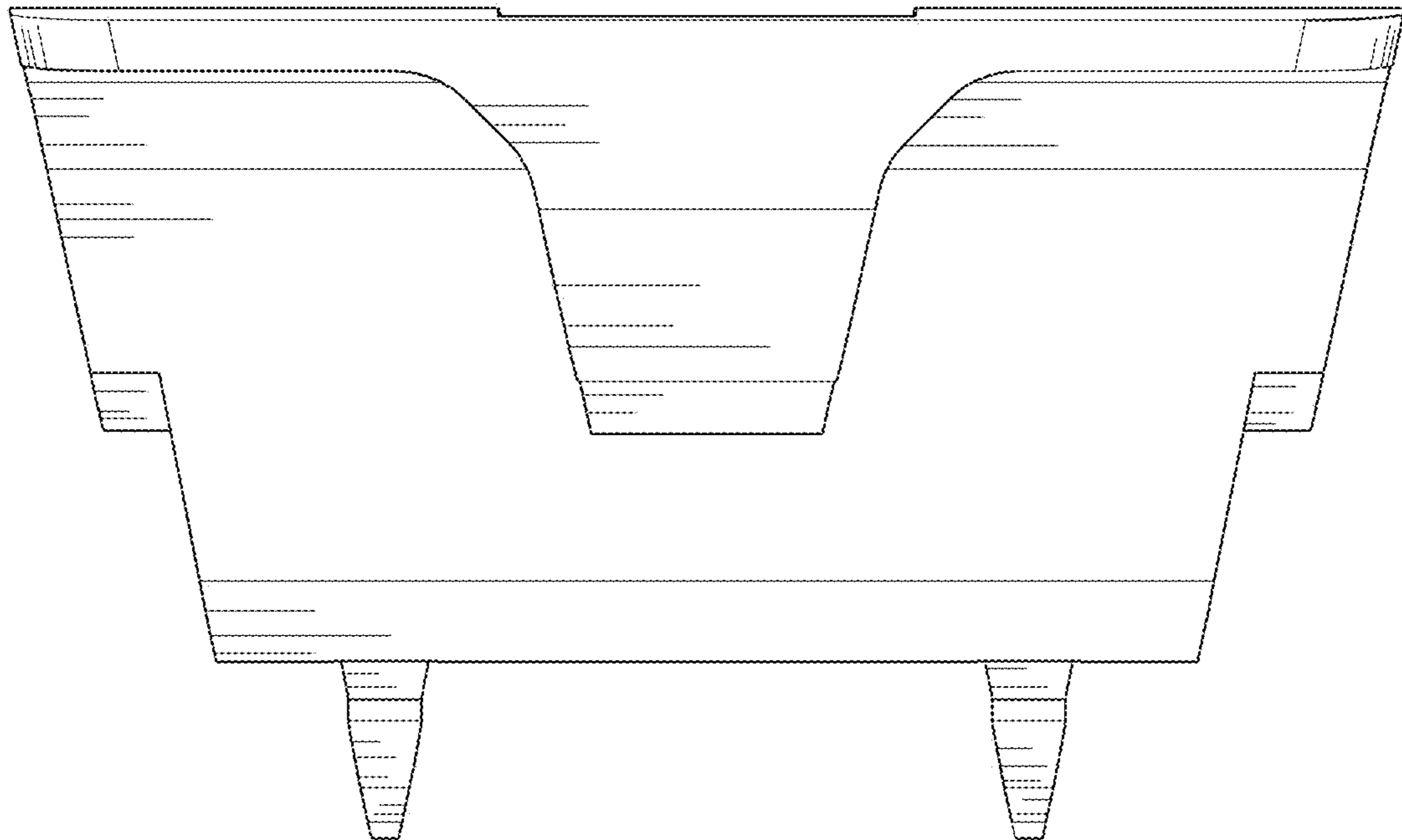


Fig 4

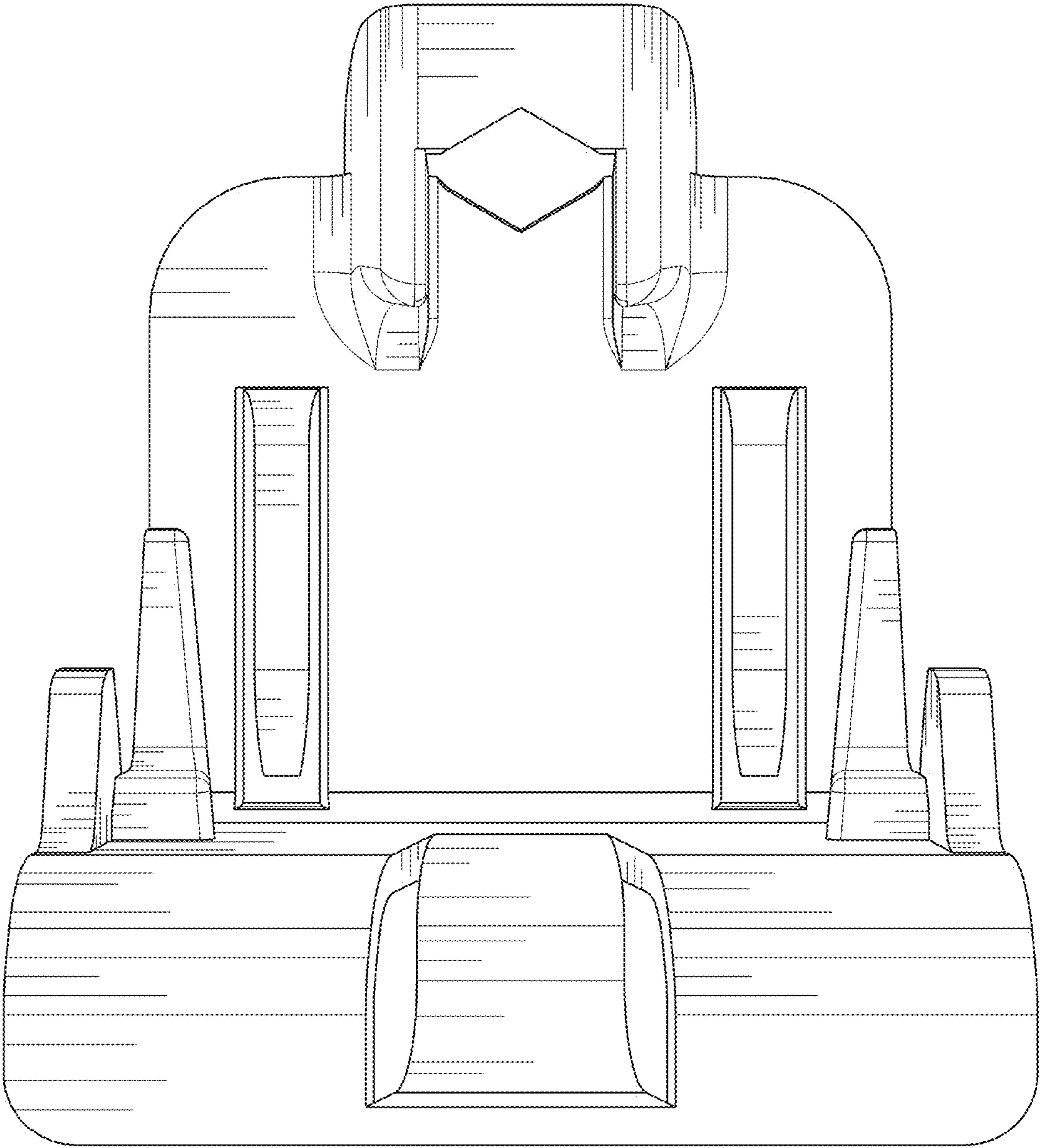


Fig 5

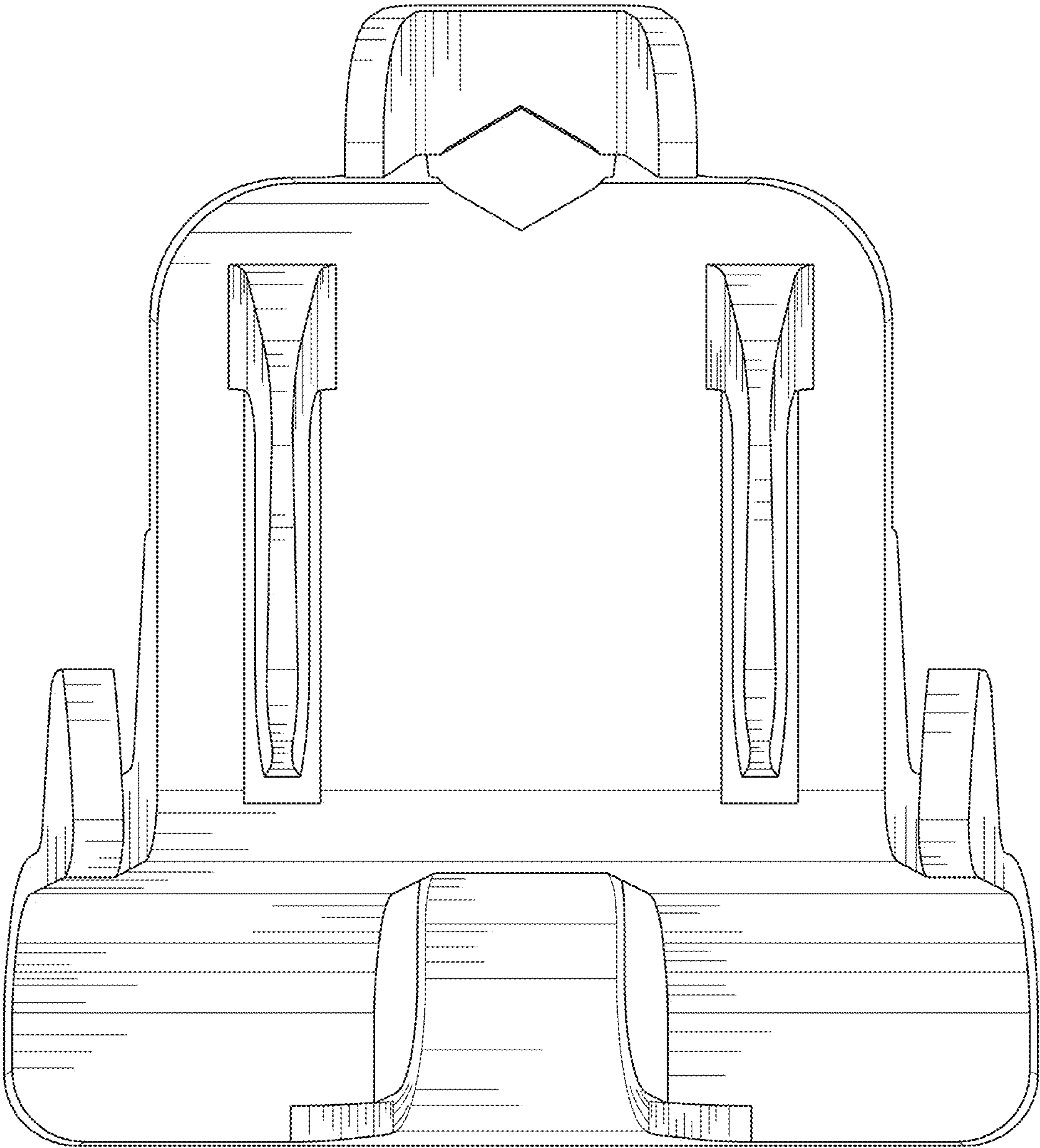


Fig 6

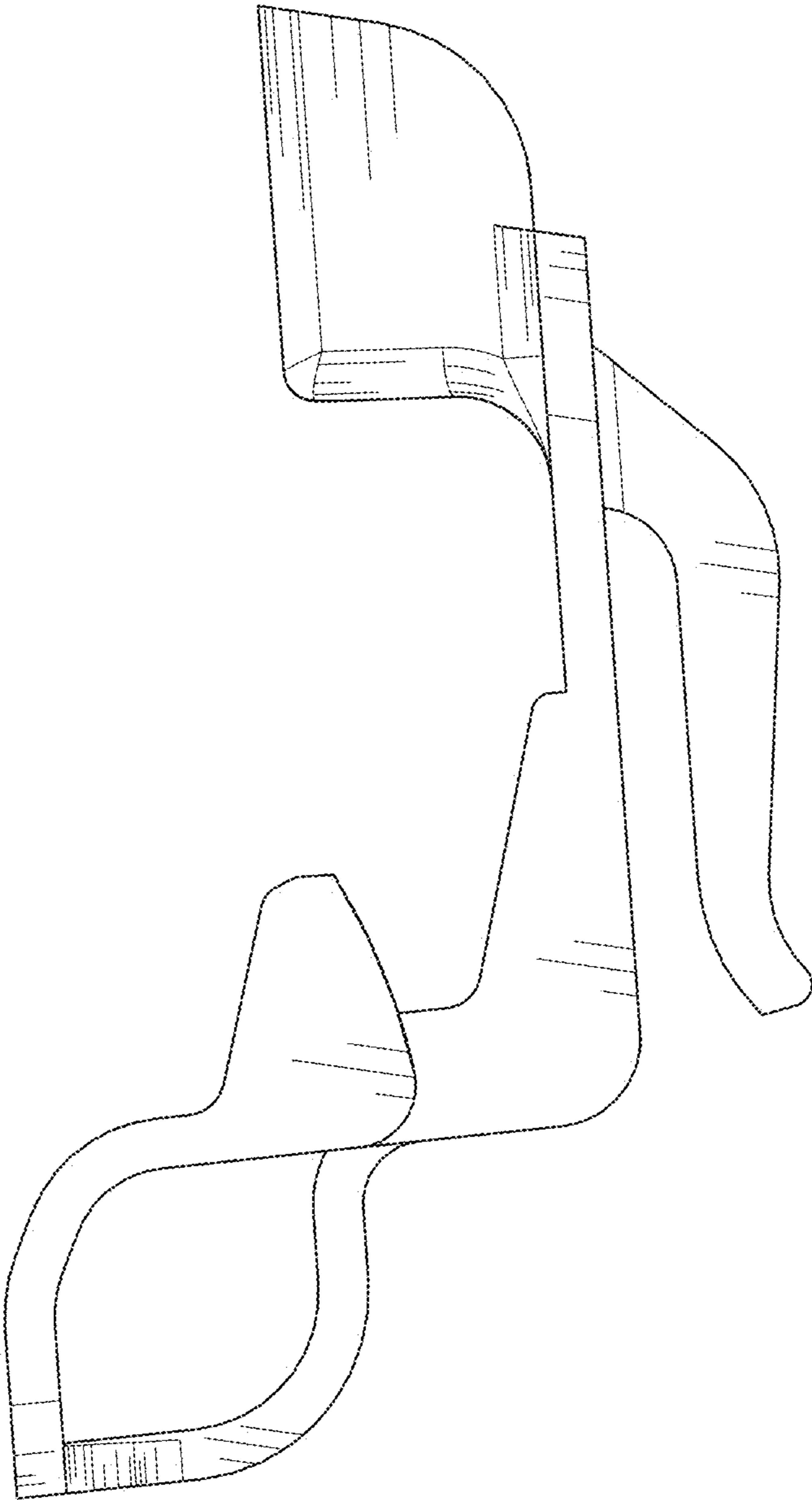


Fig 7

