

US00D920767S

(12) **United States Design Patent** (10) **Patent No.:** **US D920,767 S**
Lee (45) **Date of Patent:** **** Jun. 1, 2021**

(54) **WALL PLATE COVER FOR ELECTRONIC DEVICE**

(71) Applicant: **ELAGO COMPANY CO., LTD.,**
Goyang-si (KR)

(72) Inventor: **Chanwoo Lee,** Goyang-si (KR)

(73) Assignee: **ELAGO COMPANY CO., LTD.,**
Goyang-si (KR)

(**) Term: **15 Years**

(21) Appl. No.: **29/760,034**

(22) Filed: **Nov. 27, 2020**

(51) **LOC (13) Cl.** **11-05**

(52) **U.S. Cl.**
USPC **D8/352; D13/156**

(58) **Field of Classification Search**
USPC D13/137.1-139.8, 133, 146, 147, 123,
D13/152, 162, 164, 169, 170, 171, 174,
D13/177, 154, 156; D8/350, 351, 352,
D8/353, 356
See application file for complete search history.

(56) **References Cited**

U.S. PATENT DOCUMENTS

D191,594 S	*	10/1961	Clayton	D8/352
D305,863 S		2/1990	Gresens et al.		
D321,468 S		11/1991	Reid		
D385,538 S	*	10/1997	Tatenuma	D14/483
D464,630 S	*	10/2002	Woodworth	D13/171
D471,260 S	*	3/2003	Otero	D23/254
D471,825 S		3/2003	Peabody		
D496,337 S	*	9/2004	Kaizu	D13/173
D506,382 S	*	6/2005	McIntosh	D8/352
D530,231 S		10/2006	Kawabata		
D563,328 S	*	3/2008	Sano	D13/173
D563,329 S	*	3/2008	Sano	D13/173

D633,776 S	*	3/2011	Chan	D8/352
D658,131 S	*	4/2012	Chen	D13/156
D658,132 S	*	4/2012	Chan	D13/156
D691,098 S	*	10/2013	Li	D13/174
D700,075 S		2/2014	Bould et al.		
D717,681 S		11/2014	Shail et al.		
D725,524 S		3/2015	Takach et al.		
D725,603 S		3/2015	Semans		
D736,061 S		8/2015	Boeltl		
D746,238 S	*	12/2015	Sumwalt	D13/156
D748,590 S	*	2/2016	Dorn	D13/174
D755,038 S		5/2016	Bolton		
D779,345 S		2/2017	Jacob et al.		
9,782,003 B2	*	10/2017	Trachtenberg	F16M 11/105

(Continued)

FOREIGN PATENT DOCUMENTS

EM 000206727-0002 12/2004

Primary Examiner — Keli L Hill

Assistant Examiner — Harold E Blackwell, II

(74) *Attorney, Agent, or Firm* — Paratus Law Group, PLLC

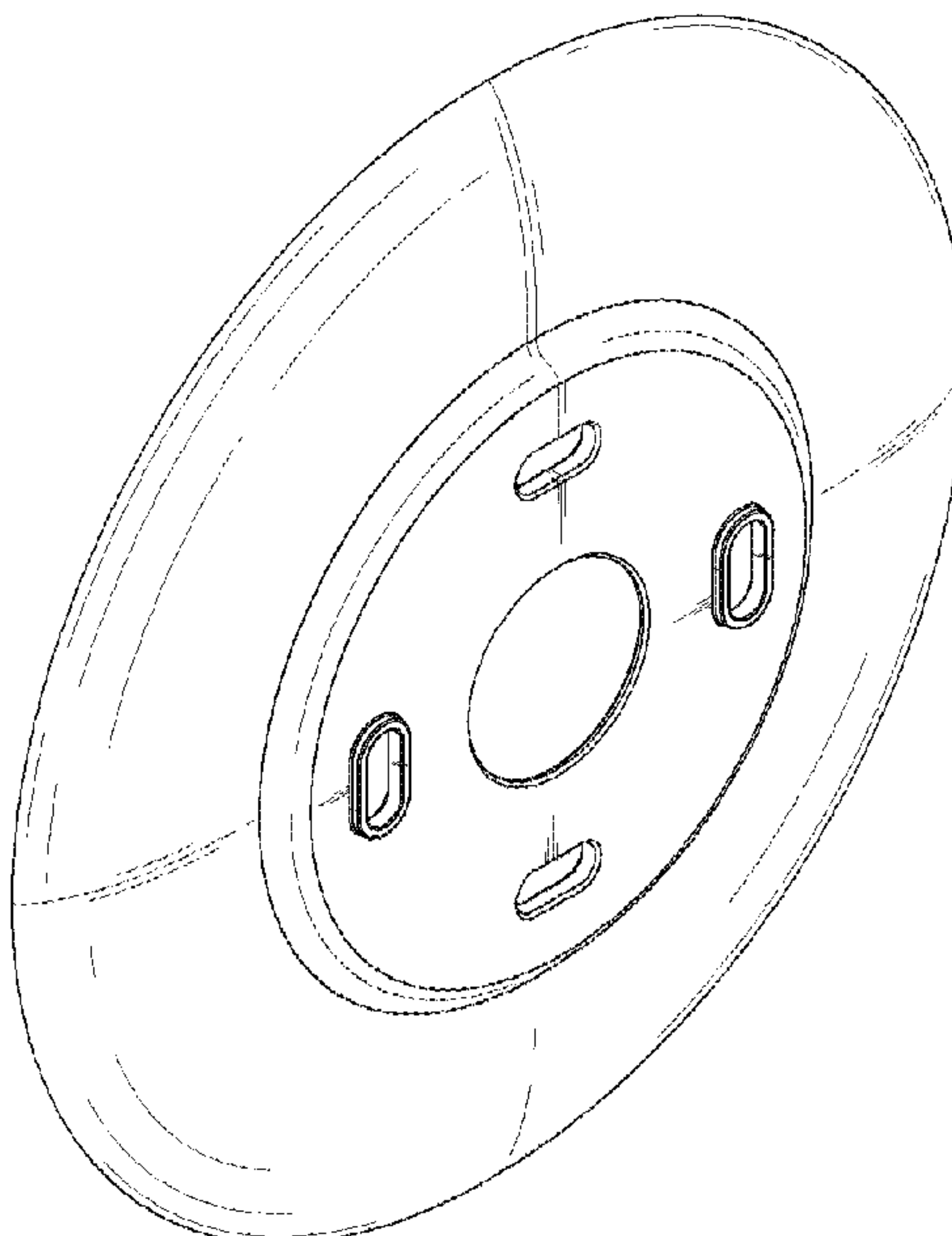
(57) **CLAIM**

The ornamental design for a wall plate cover for electronic device, as shown and described.

DESCRIPTION

FIG. 1 is a front, top, and left sides perspective view of wall plate cover for electronic device showing claimed design; FIG. 2 is a front view thereof; FIG. 3 is a back view thereof; FIG. 4 is a left side view thereof; FIG. 5 is a right side view thereof; FIG. 6 is a top view thereof; FIG. 7 is a bottom view thereof; and, FIG. 8 is a back, top, and left sides perspective view thereof.

1 Claim, 5 Drawing Sheets



(56)

References Cited

U.S. PATENT DOCUMENTS

D831,595 S	10/2018	Mittleman et al.	
D838,274 S	1/2019	Mittleman et al.	
D863,989 S *	10/2019	Liu	D10/50
D865,685 S *	11/2019	Adenau	D13/174
D871,350 S *	12/2019	Lee	D13/156
D871,351 S *	12/2019	Lee	D13/156
D892,645 S	8/2020	Lee et al.	
2012/0193198 A1 *	8/2012	Loitz	H01H 13/06 200/302.1

* cited by examiner

FIG. 1

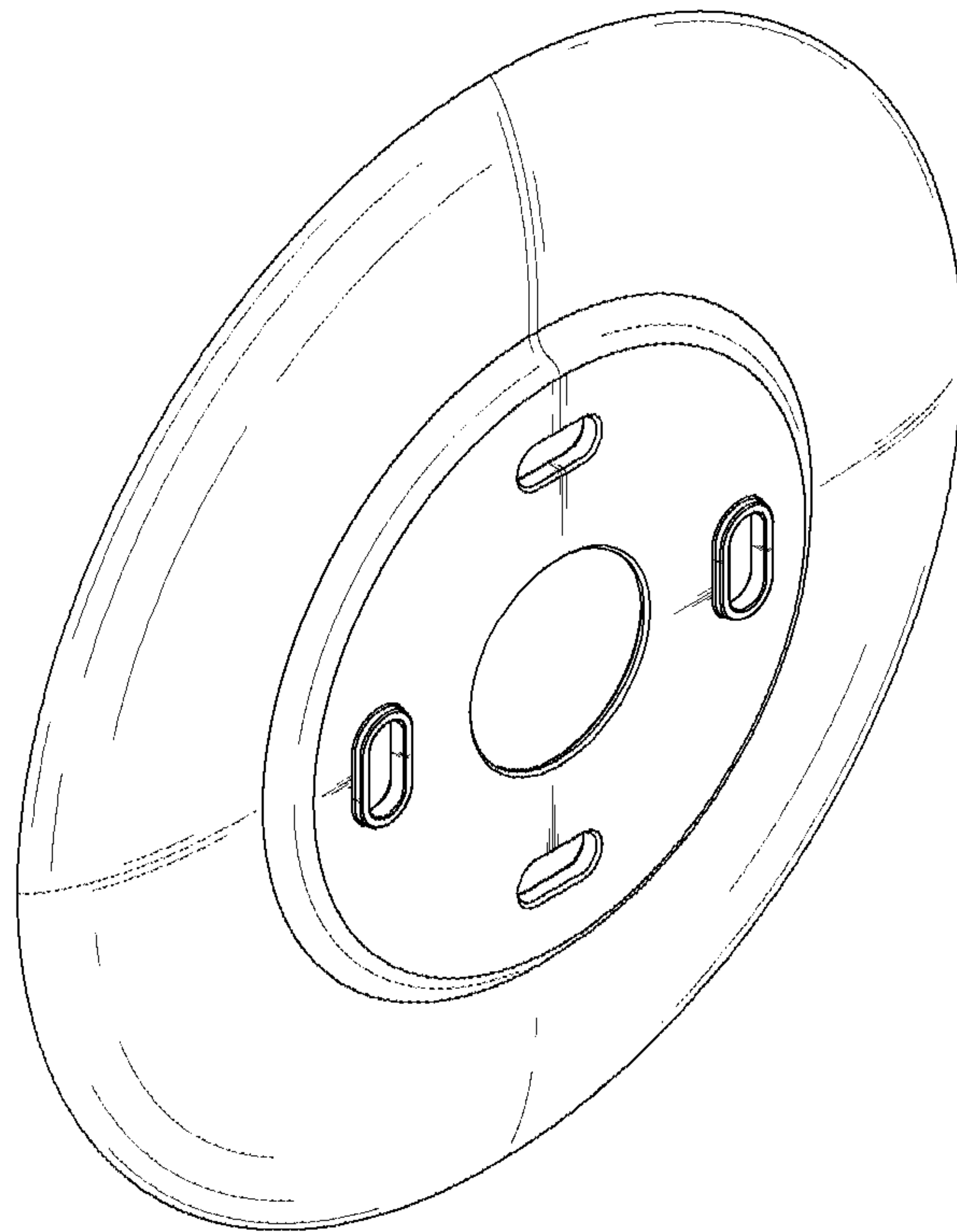


FIG. 2

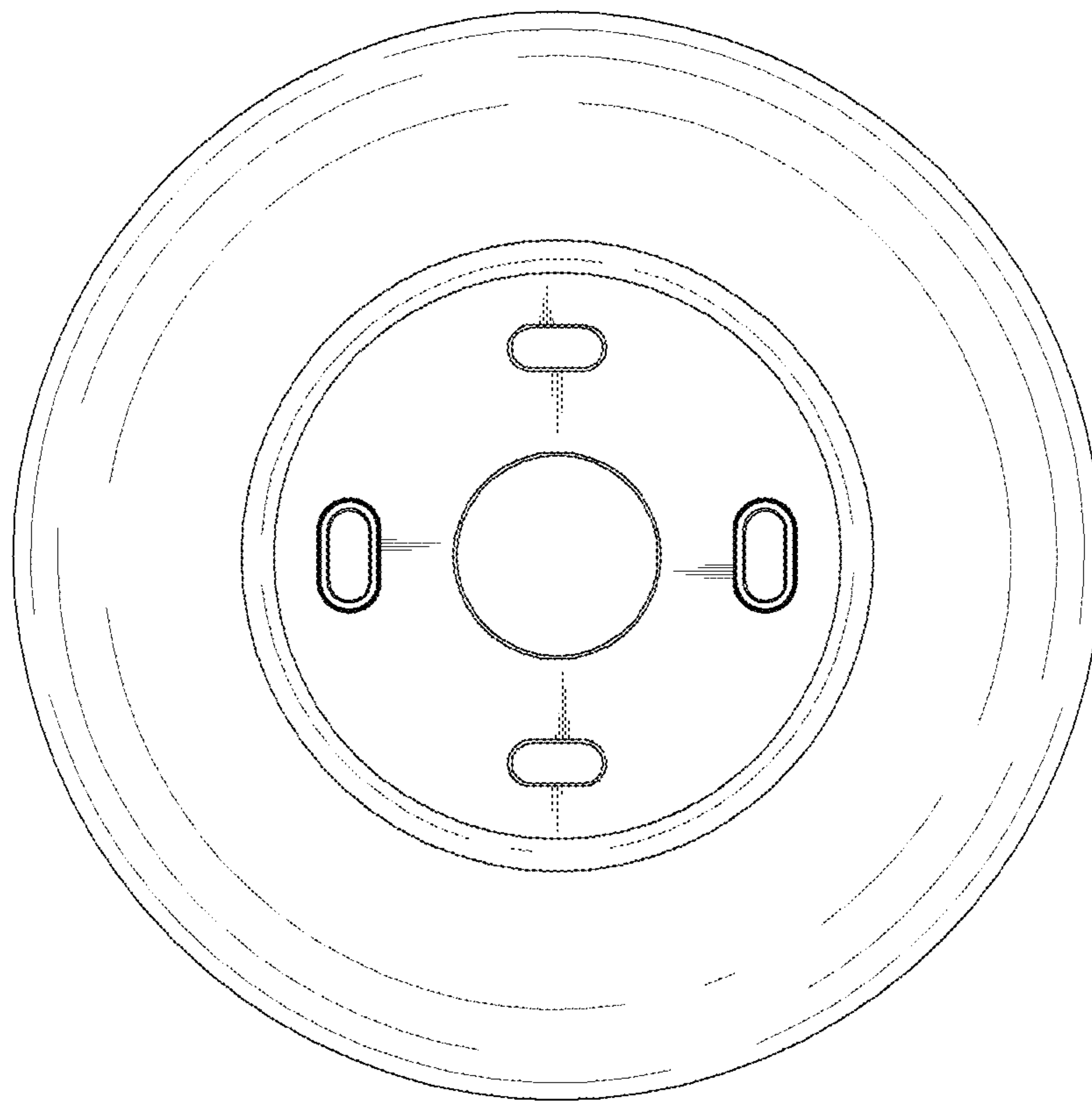


FIG. 3

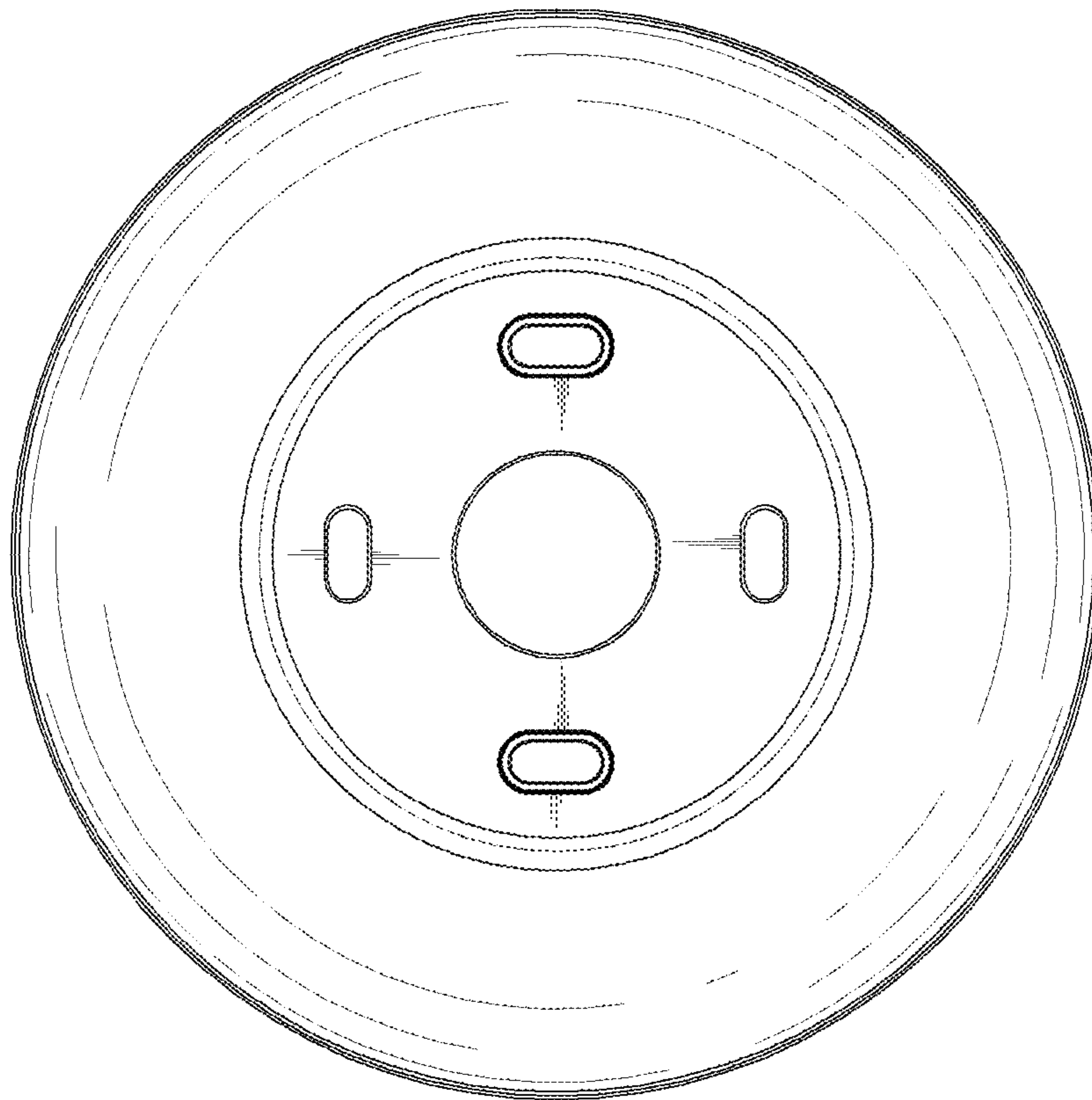


FIG. 4



FIG. 5

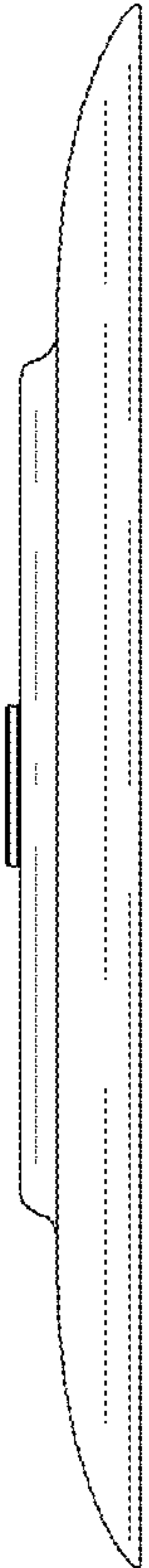


FIG. 6

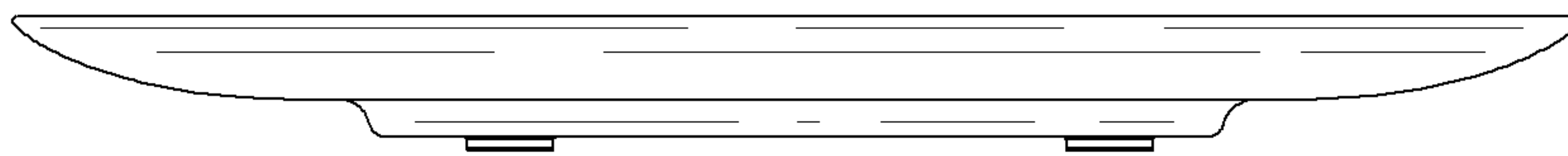


FIG. 7

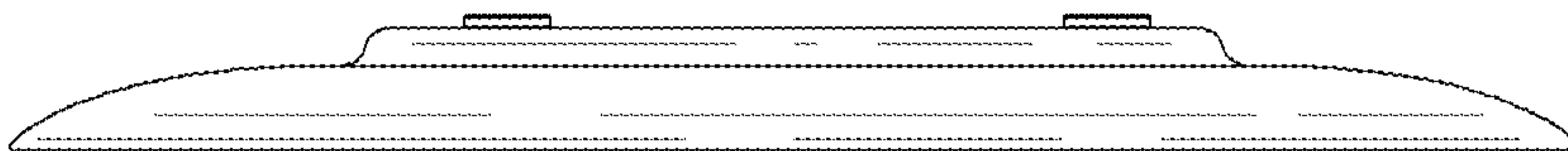


FIG. 8

