



US00D920766S

(12) **United States Design Patent** (10) **Patent No.:** **US D920,766 S**
Zheng et al. (45) **Date of Patent:** **** Jun. 1, 2021**

(54) **SMART LOCK**

(56) **References Cited**

(71) Applicants: **PIN GENIE Limited**, Kowloon (HK);
Li Zheng, Kowloon (HK)

U.S. PATENT DOCUMENTS

(72) Inventors: **Li Zheng**, Kowloon (HK); **Mingxia Yi**,
Kowloon (HK)

9,892,579 B2 * 2/2018 Ku G07C 9/00309
D812,448 S * 3/2018 Schneider D8/331
10,122,138 B2 * 11/2018 Uyeda E05B 47/00
D835,970 S * 12/2018 Morstatt D8/331
D837,029 S * 1/2019 Cavanna D8/331
10,176,687 B2 * 1/2019 Almomani G08B 21/24
10,443,266 B2 * 10/2019 Johnson G08B 13/1966

(73) Assignees: **PIN GENIE Limited**, Hong Kong
(HK); **Li Zheng**, Hong Kong (HK)

* cited by examiner

(**) Term: **15 Years**

Primary Examiner — Doris Clark

(21) Appl. No.: **29/720,871**

(74) *Attorney, Agent, or Firm* — Lerner, David,
Littenberg, Krumholz & Mentlik, LLP

(22) Filed: **Jan. 16, 2020**

(57) **CLAIM**

The ornamental design for a smart lock, as shown and
described.

(30) **Foreign Application Priority Data**

DESCRIPTION

Nov. 7, 2019 (CN) 201930612020.8

(51) **LOC (13) Cl.** **08-07**

(52) **U.S. Cl.**
USPC **D8/331**

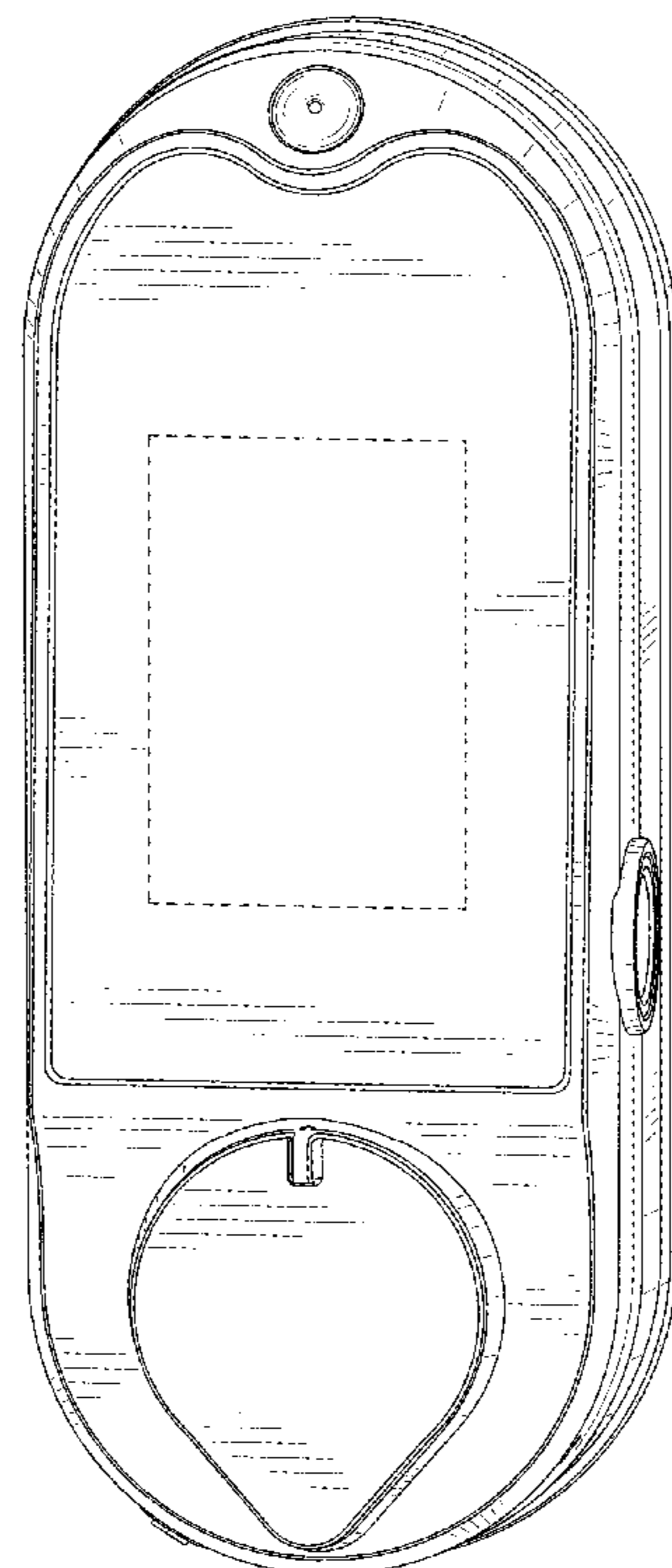
(58) **Field of Classification Search**
USPC D8/330, 331
CPC .. G07C 9/00309; G07C 9/00; G07C 9/00174;
G05B 19/00; G05B 19/02; G05B 8/02;
Y10T 70/7051; Y10T 70/50; Y10T
70/5004; Y10T 70/5155; Y10T 70/5199;
E05B 41/00; E05B 47/016

FIG. 1 is a front perspective view of a smart lock according
to a embodiment of our design;
FIG. 2 is a front elevation view thereof;
FIG. 3 is a rear elevation view thereof;
FIG. 4 is a right side elevation view thereof;
FIG. 5 is a left side elevation view thereof;
FIG. 6 is a top plan view thereof; and,
FIG. 7 is a bottom plan view thereof.

The broken lines shown in the drawings are for the purpose
of illustrating environmental structure and form no part of
the claimed design.

See application file for complete search history.

1 Claim, 6 Drawing Sheets



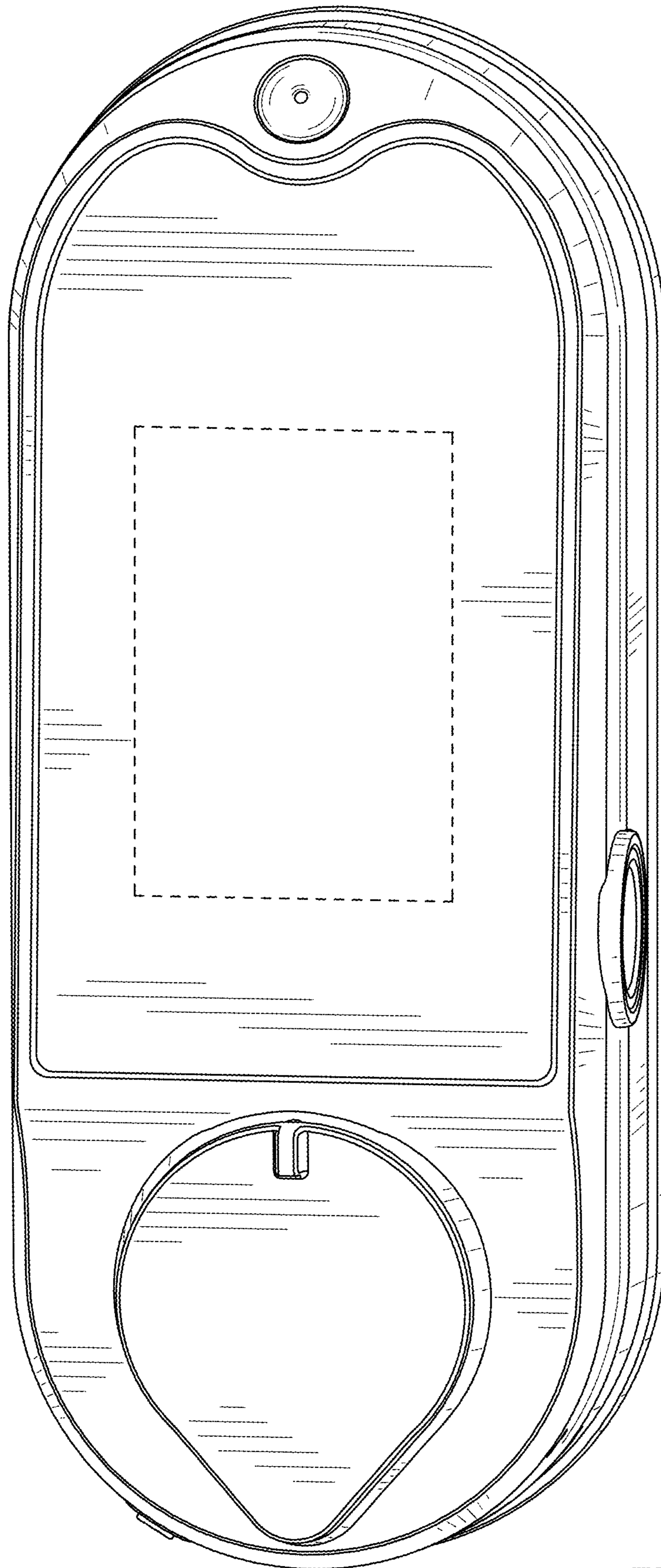


FIG. 1

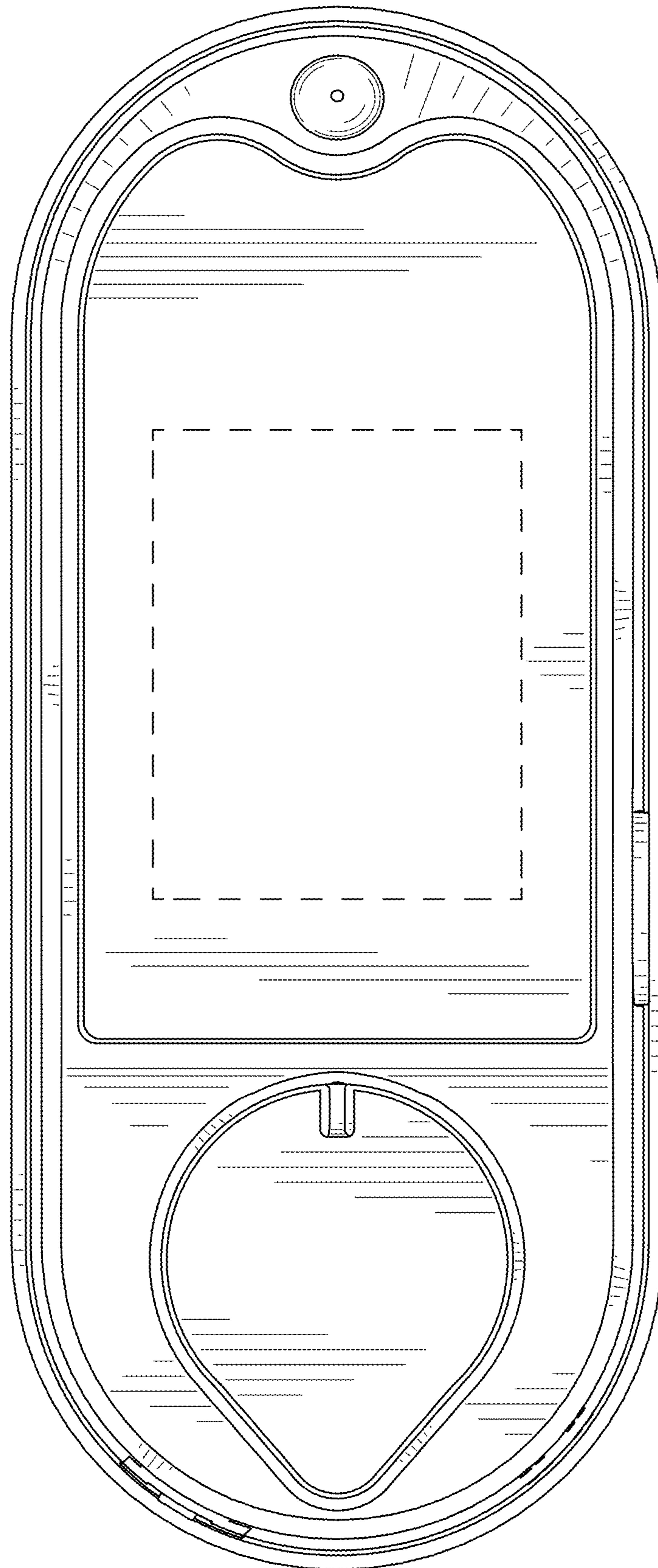


FIG. 2

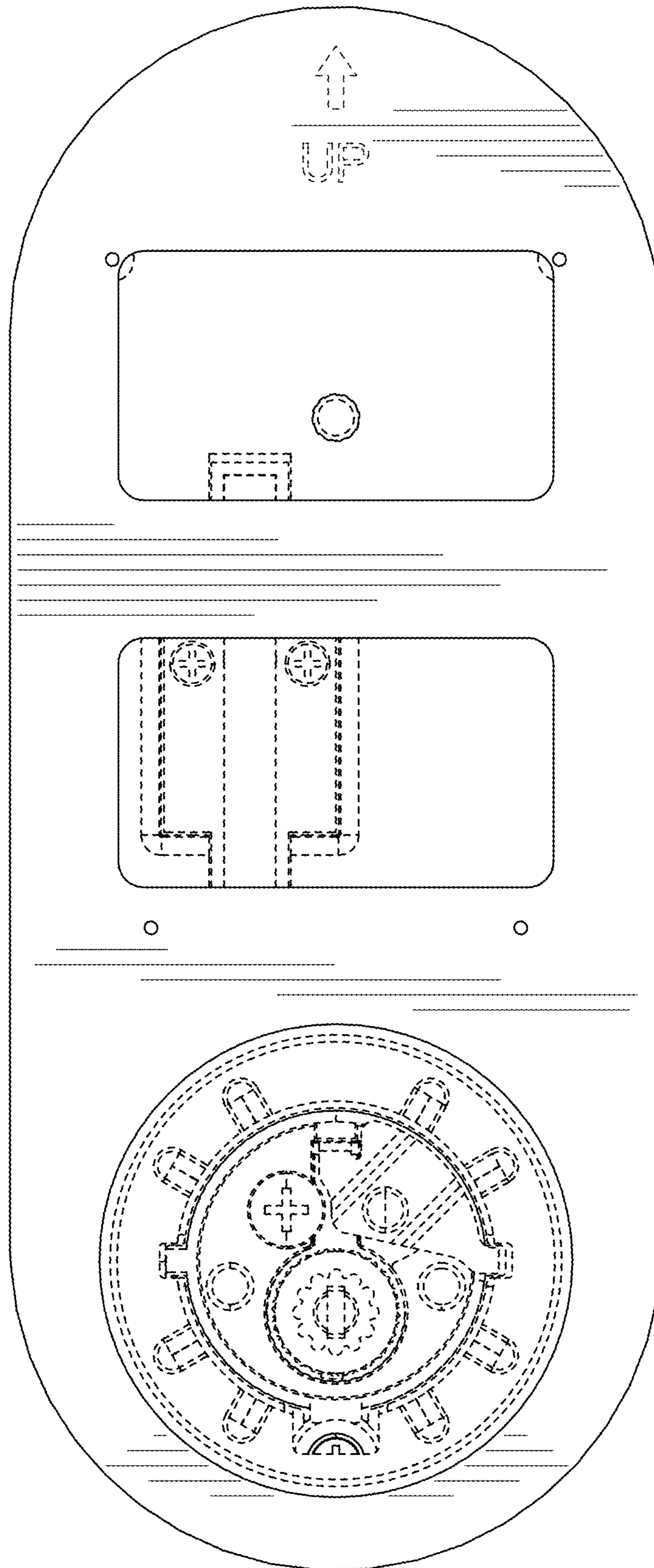


FIG. 3

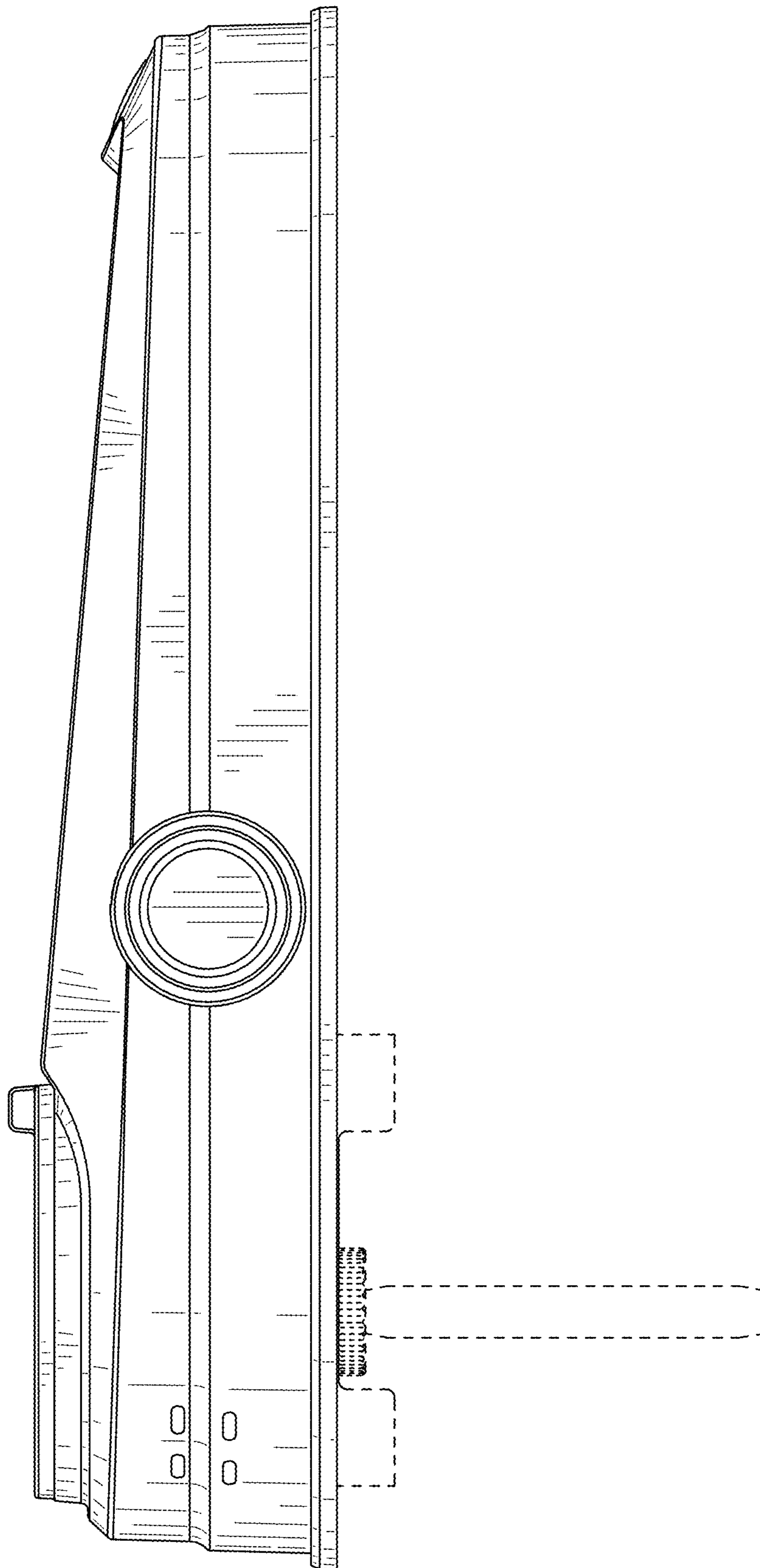


FIG. 4

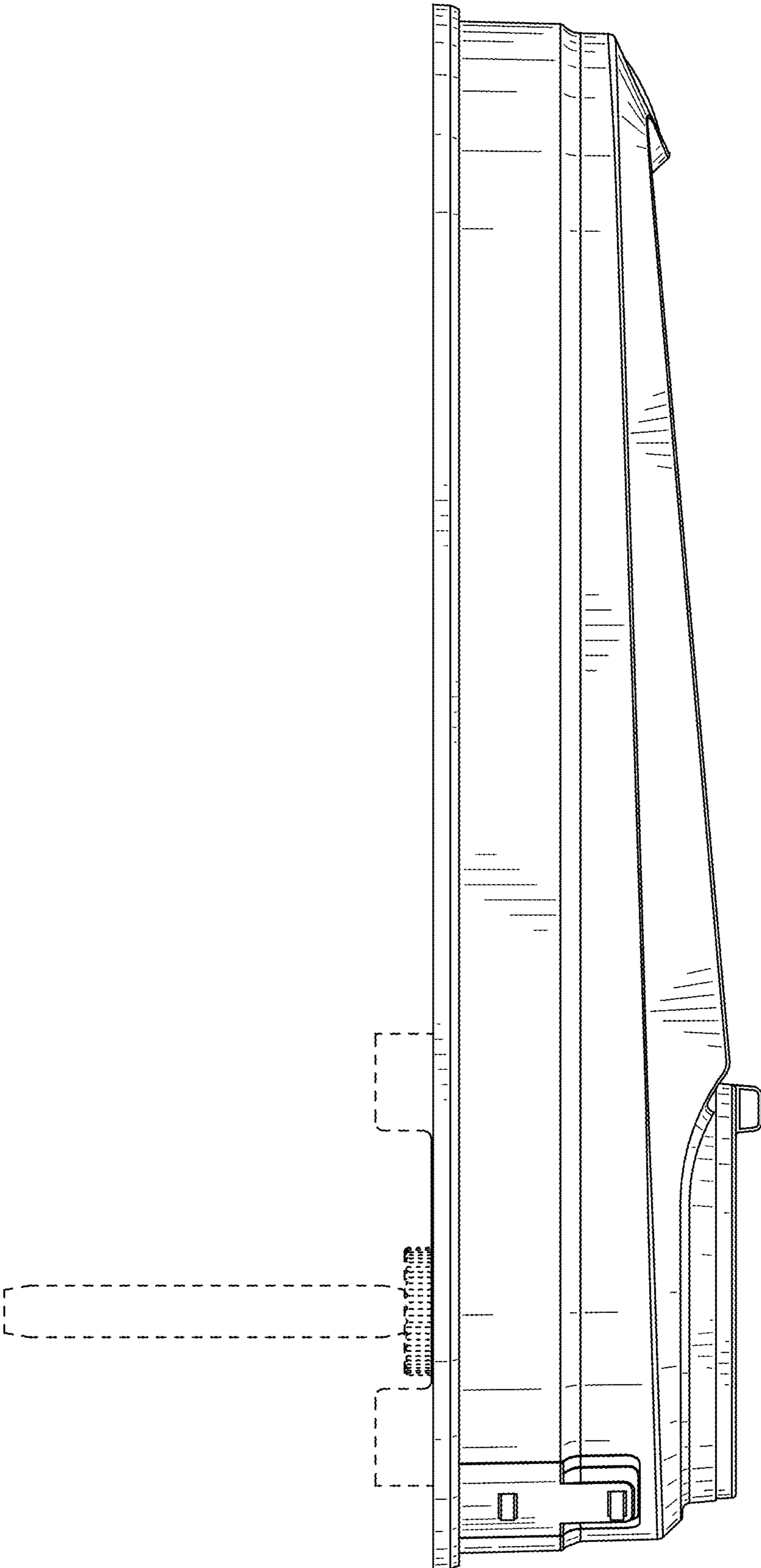


FIG. 5

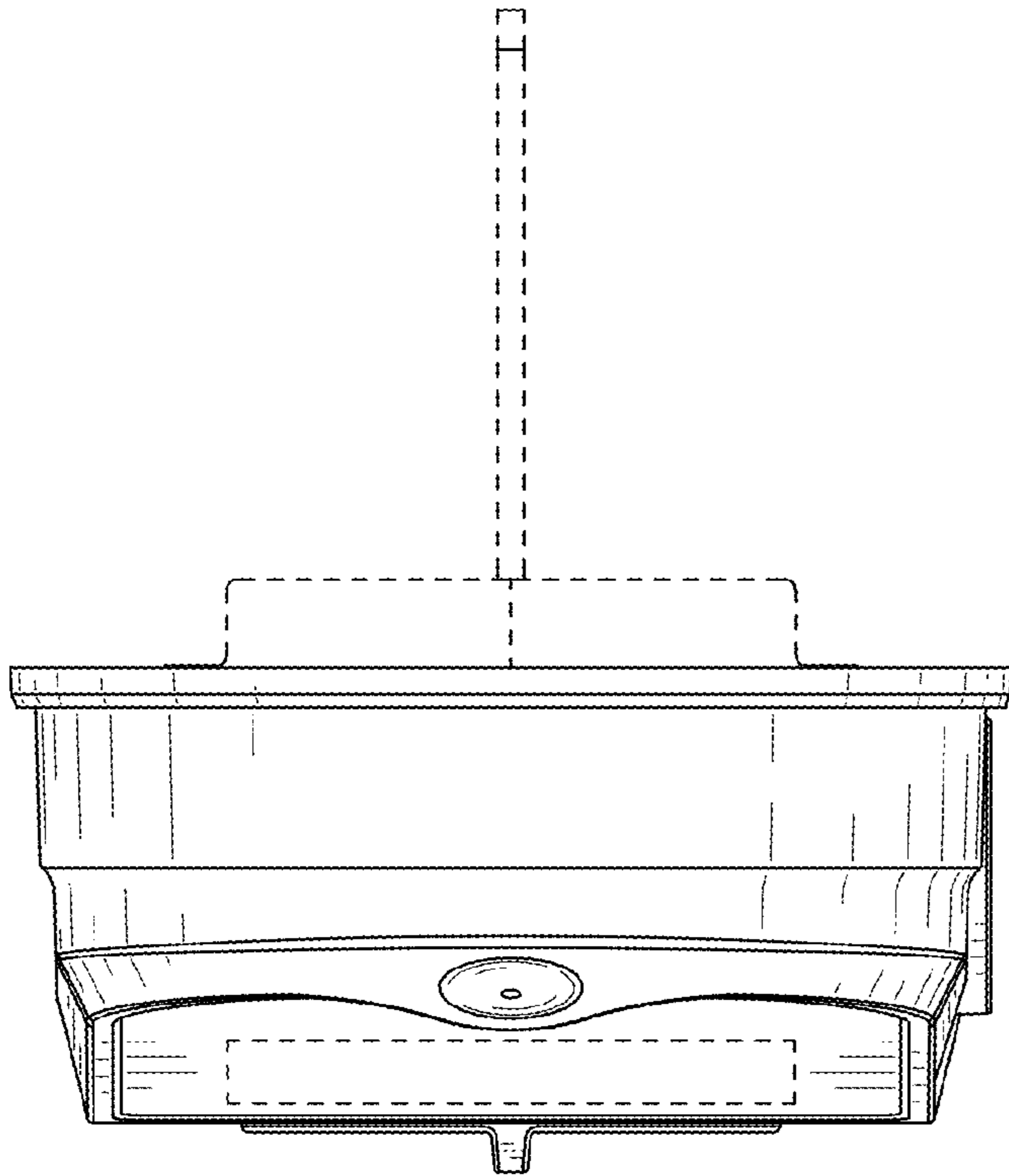


FIG. 6

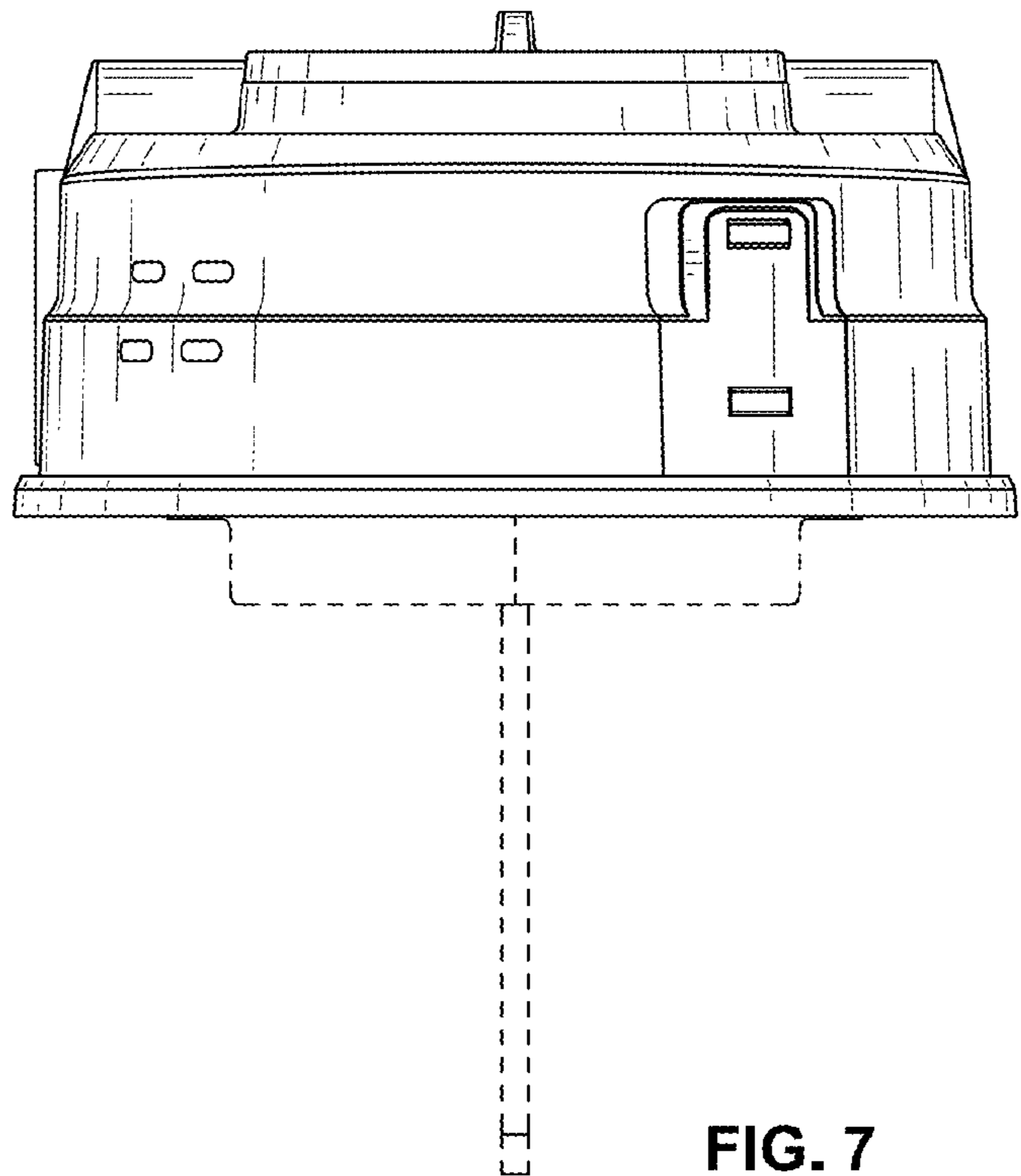


FIG. 7