



US00D920765S

(12) **United States Design Patent**
McKeone

(10) **Patent No.:** **US D920,765 S**
(45) **Date of Patent:** **** Jun. 1, 2021**

- (54) **TOWEL BAR**
- (71) Applicant: **Kohler Co.**, Kohler, WI (US)
- (72) Inventor: **William C. McKeone**, Sheboygan, WI (US)
- (73) Assignee: **KOHLER CO.**, Kohler, WI (US)
- (**) Term: **15 Years**
- (21) Appl. No.: **29/680,385**
- (22) Filed: **Feb. 15, 2019**
- (51) **LOC (13) Cl.** **08-06**
- (52) **U.S. Cl.**
USPC **D8/319**; D6/549
- (58) **Field of Classification Search**
USPC D8/315, 316, 317, 318, 319, 320;
D6/549; 15/235.5
CPC B25G 3/00
See application file for complete search history.

D540,144 S	4/2007	Berberet	
D540,145 S	4/2007	Berberet	
D553,404 S	10/2007	Rexach	
D597,774 S	8/2009	Rubin	
D697,334 S *	1/2014	Starck	D6/549
D707,056 S *	6/2014	Gilbert	D6/524
D729,035 S *	5/2015	Zimmer	D8/316
D784,728 S *	4/2017	Eads	D6/549
D799,854 S *	10/2017	Andrew	D6/549
D836,946 S *	1/2019	Rutgers	D6/549
D862,113 S *	10/2019	Downey	D6/546
D897,724 S *	10/2020	Garland	D6/549
D898,412 S *	10/2020	Garland	D6/549

* cited by examiner

Primary Examiner — Keli L Hill
Assistant Examiner — Harold E Blackwell, II
(74) *Attorney, Agent, or Firm* — Foley & Lardner LLP

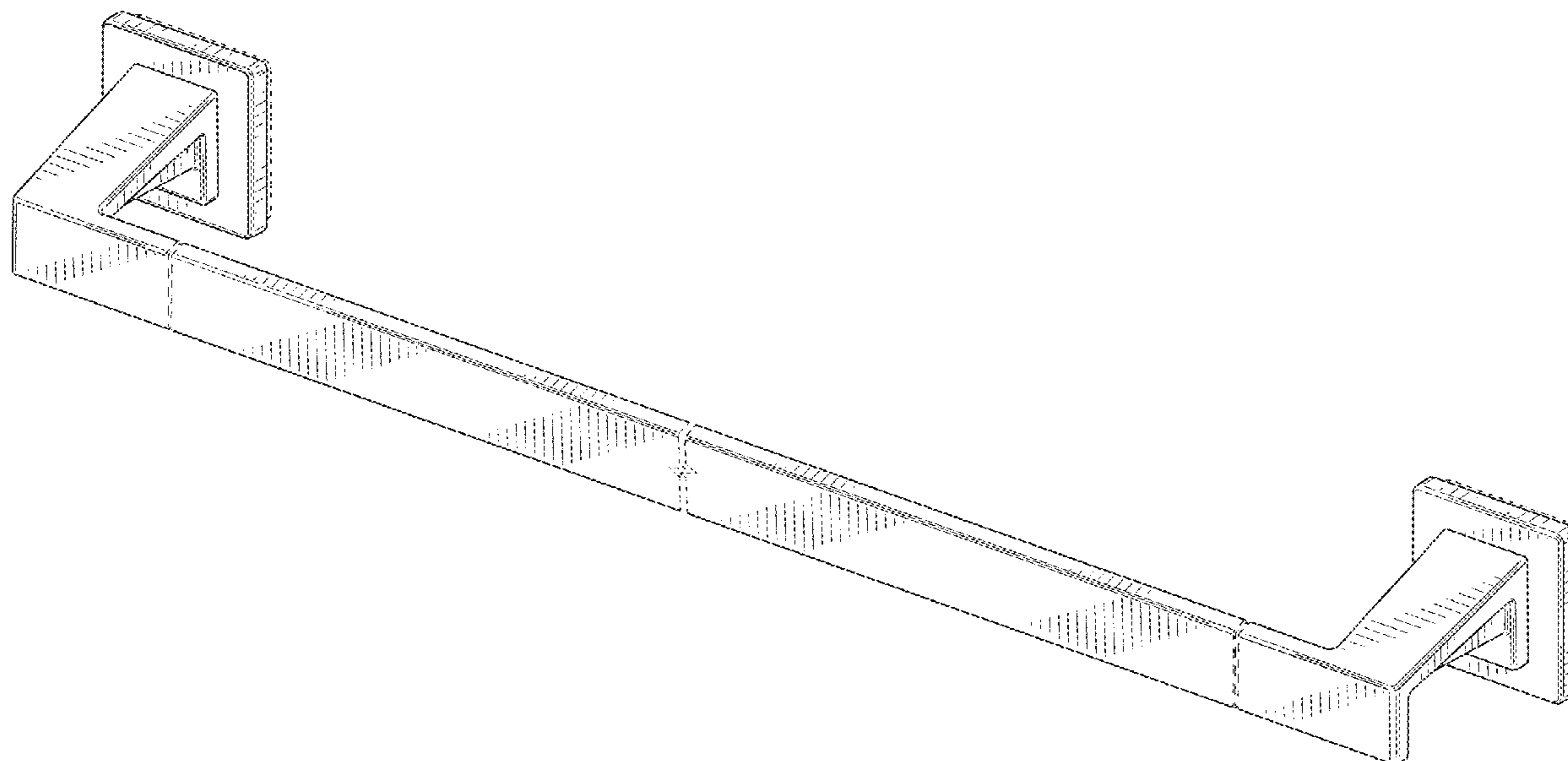
(57) **CLAIM**

I claim the ornamental design for a towel bar, as shown and described.

DESCRIPTION

FIG. 1 is a perspective view showing my new design for a towel bar;
FIG. 2 is a front view of FIG. 1;
FIG. 3 is a rear view of FIG. 1;
FIG. 4 is a side view of FIG. 1;
FIG. 5 is another side view of FIG. 1;
FIG. 6 is a top view of FIG. 1; and,
FIG. 7 is a bottom view of FIG. 1.
The broken lines in the drawings illustrate portions of the towel bar which form no part of the claimed design. The towel bar is shown with a symbolic break in its length. The appearance of any portion of the article between the break lines forms no part of the claimed design.

1 Claim, 4 Drawing Sheets



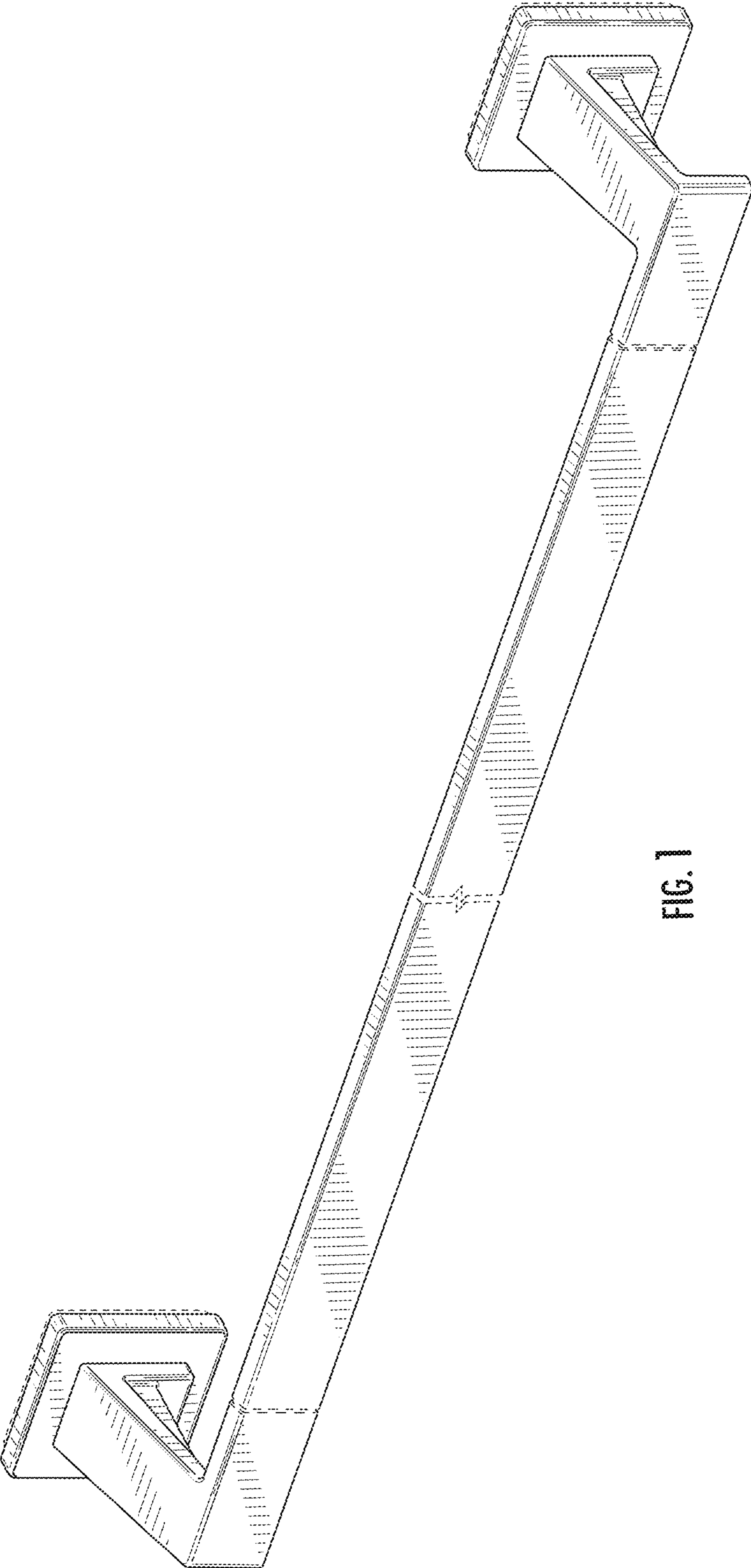


FIG. 1

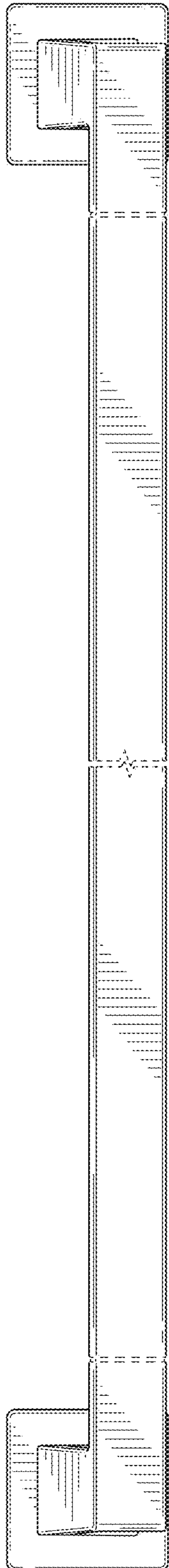


FIG. 2

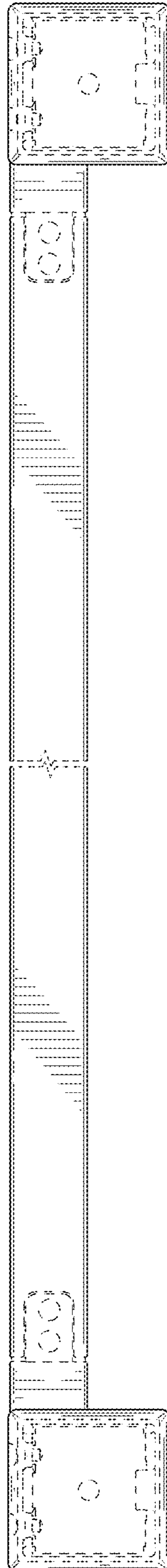


FIG. 3

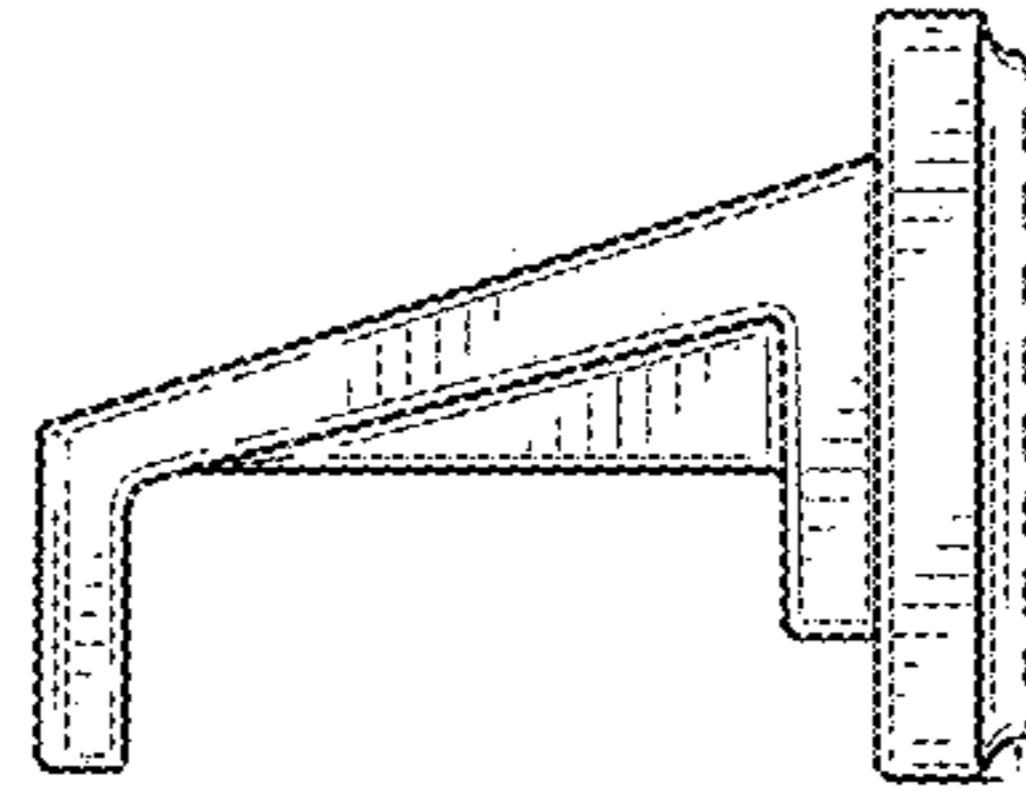


FIG. 4

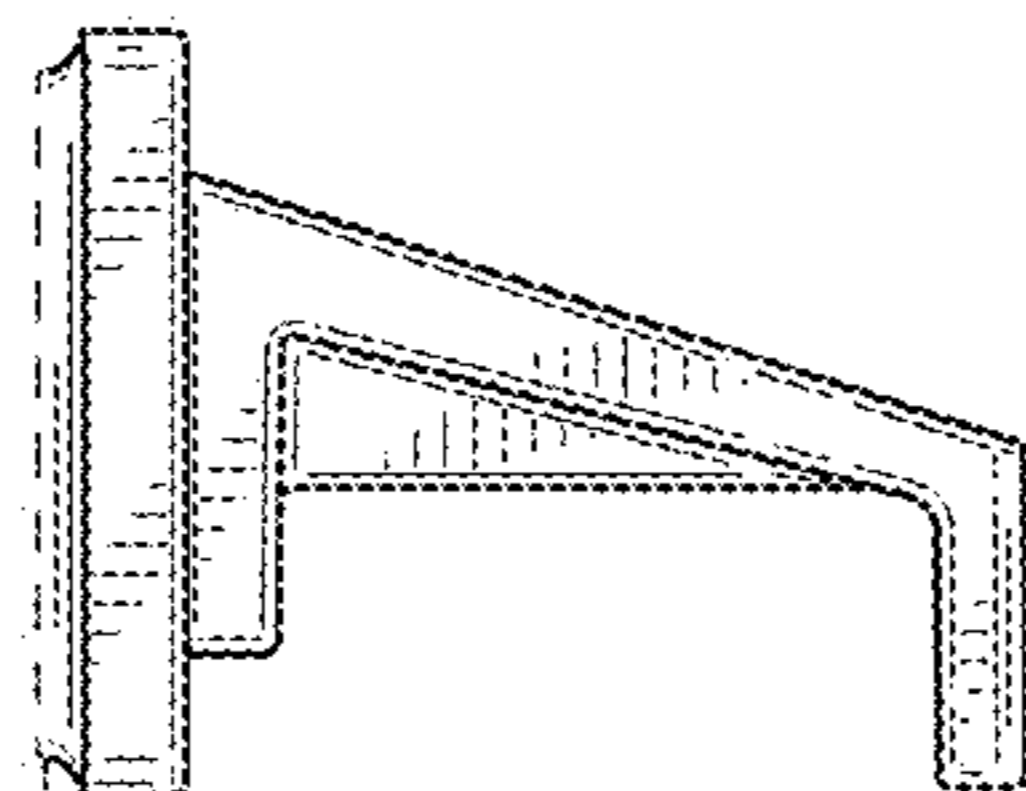


FIG. 5

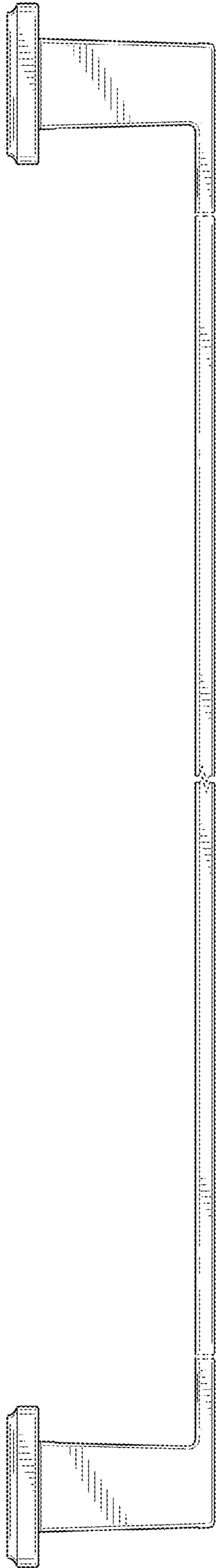


FIG. 6

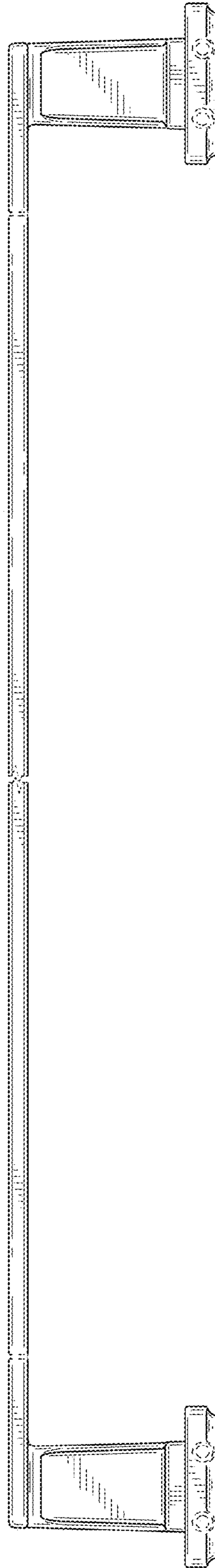


FIG. 7