



US00D920763S

(12) **United States Design Patent**
Godfrey

(10) **Patent No.:** **US D920,763 S**

(45) **Date of Patent:** **** Jun. 1, 2021**

- (54) **KNIFE**
- (71) Applicant: **Heed Industries Inc.**, Escanaba, MI (US)
- (72) Inventor: **Travis Godfrey**, Escanaba, MI (US)
- (73) Assignee: **Heed Industries Inc.**, Escanaba, MI (US)
- (**) Term: **15 Years**
- (21) Appl. No.: **29/714,855**
- (22) Filed: **Nov. 26, 2019**
- (51) **LOC (13) Cl.** **08-03**
- (52) **U.S. Cl.**
USPC **D8/99**
- (58) **Field of Classification Search**
USPC D8/98, 99, 100, 107; D22/118
CPC B26B 5/001; B26B 5/003; B26B 11/00;
B26B 1/08; B26B 1/02; B26B 1/04;
B26B 1/044; B26B 1/10; B26B 1/042;
B26B 1/046
See application file for complete search history.

- 6,195,898 B1 * 3/2001 Lemisch B26B 1/04
30/153
- D447,494 S * 9/2001 Miller D15/132
- 6,715,208 B2 * 4/2004 Lemisch B26B 1/04
30/153
- 6,848,183 B2 * 2/2005 Lemisch B26B 1/04
30/153
- 7,676,930 B1 * 3/2010 Demko B26B 1/04
30/153
- D701,103 S * 3/2014 Marfione D8/99
(Continued)

Primary Examiner — Philip S Hyder
(74) *Attorney, Agent, or Firm* — Eversheds Sutherland (US) LLP

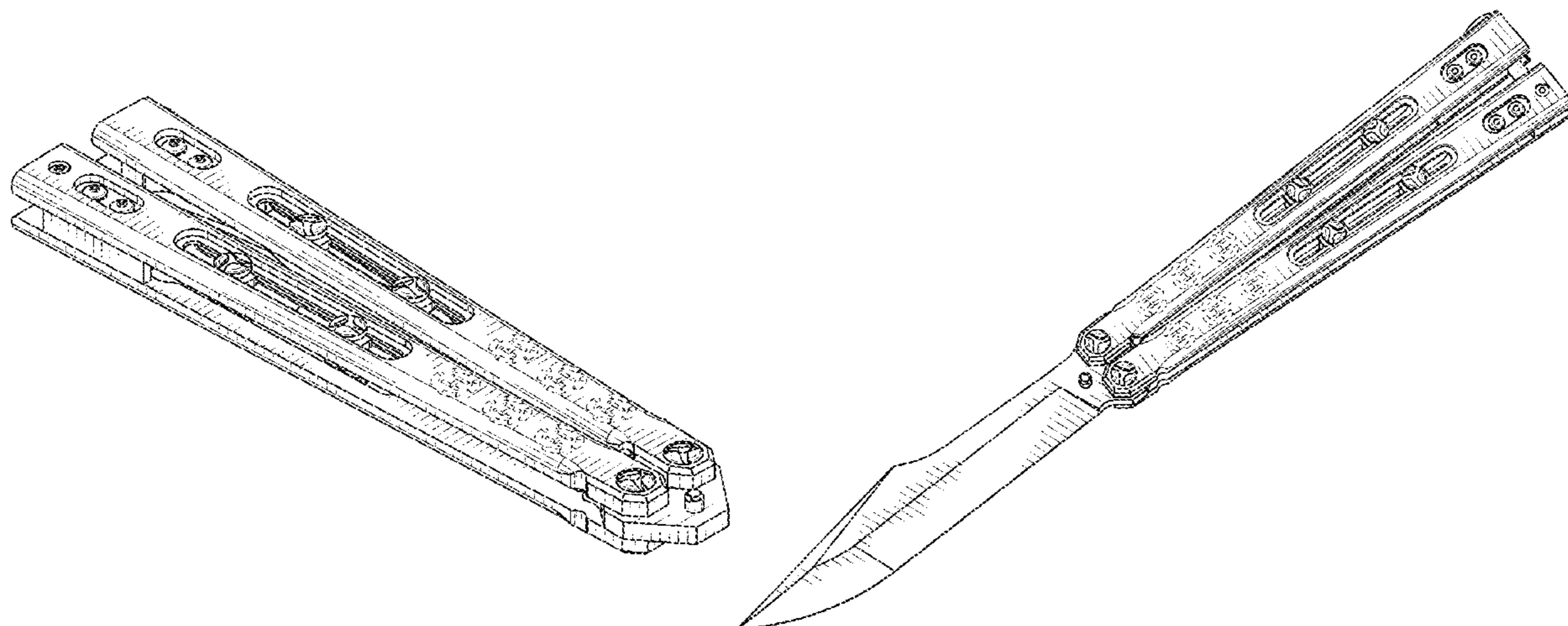
(57) **CLAIM**

The ornamental design for a knife, as shown and described.

DESCRIPTION

FIG. 1 is a perspective view of a knife in the closed position with the latch engaged;
 FIG. 2 is a perspective view thereof in the closed position with the latch disengaged;
 FIG. 3 is a perspective view thereof in the open position with the latch engaged;
 FIG. 4 is a perspective view thereof in the open position with the latch engaged;
 FIG. 5 is a side view thereof in the open position with the latch engaged;
 FIG. 6 is a cross-sectional view taken long line 6 of FIG. 5;
 FIG. 7 is a side view thereof in the closed position with the latch disengaged;
 FIG. 8 is a partial side view of the area circled in FIG. 7; and,
 FIG. 9 is a bottom view thereof in the open position with the latch engaged.
 The broken lines depict portions of the knife in which the design is embodied that are not considered part of the claimed design.

1 Claim, 9 Drawing Sheets



(56)

References Cited

U.S. PATENT DOCUMENTS

8,973,273 B2 * 3/2015 Brown B25G 3/38
30/167
D825,310 S * 8/2018 Liu D8/99
2016/0368155 A1 * 12/2016 Mandeville B26B 1/04
2018/0178398 A1 * 6/2018 Janovicz B26B 1/04
2019/0344457 A1 * 11/2019 Hunt B26B 1/046
2020/0189128 A1 * 6/2020 Elling B26B 1/10

* cited by examiner

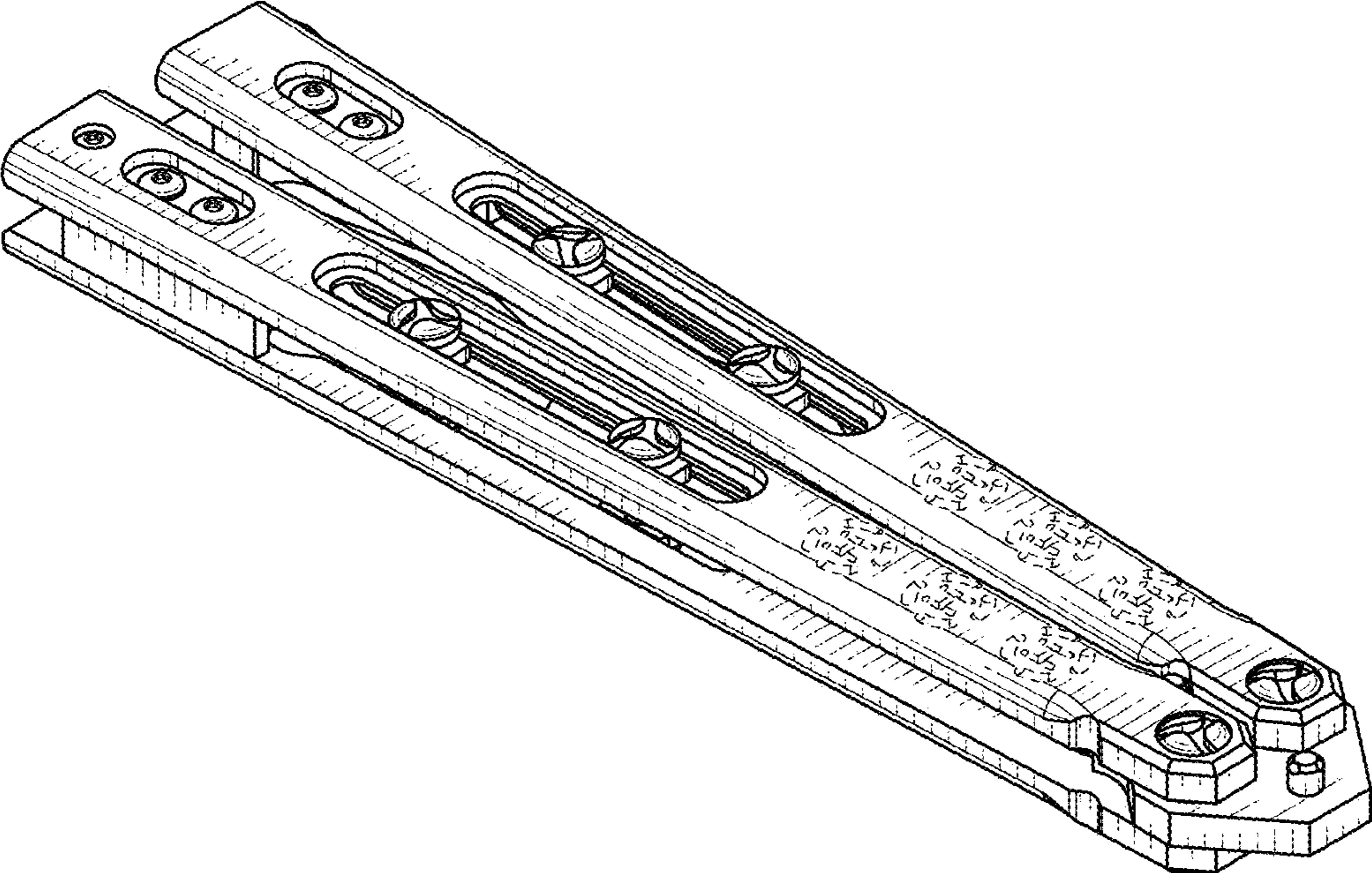


FIG. 1

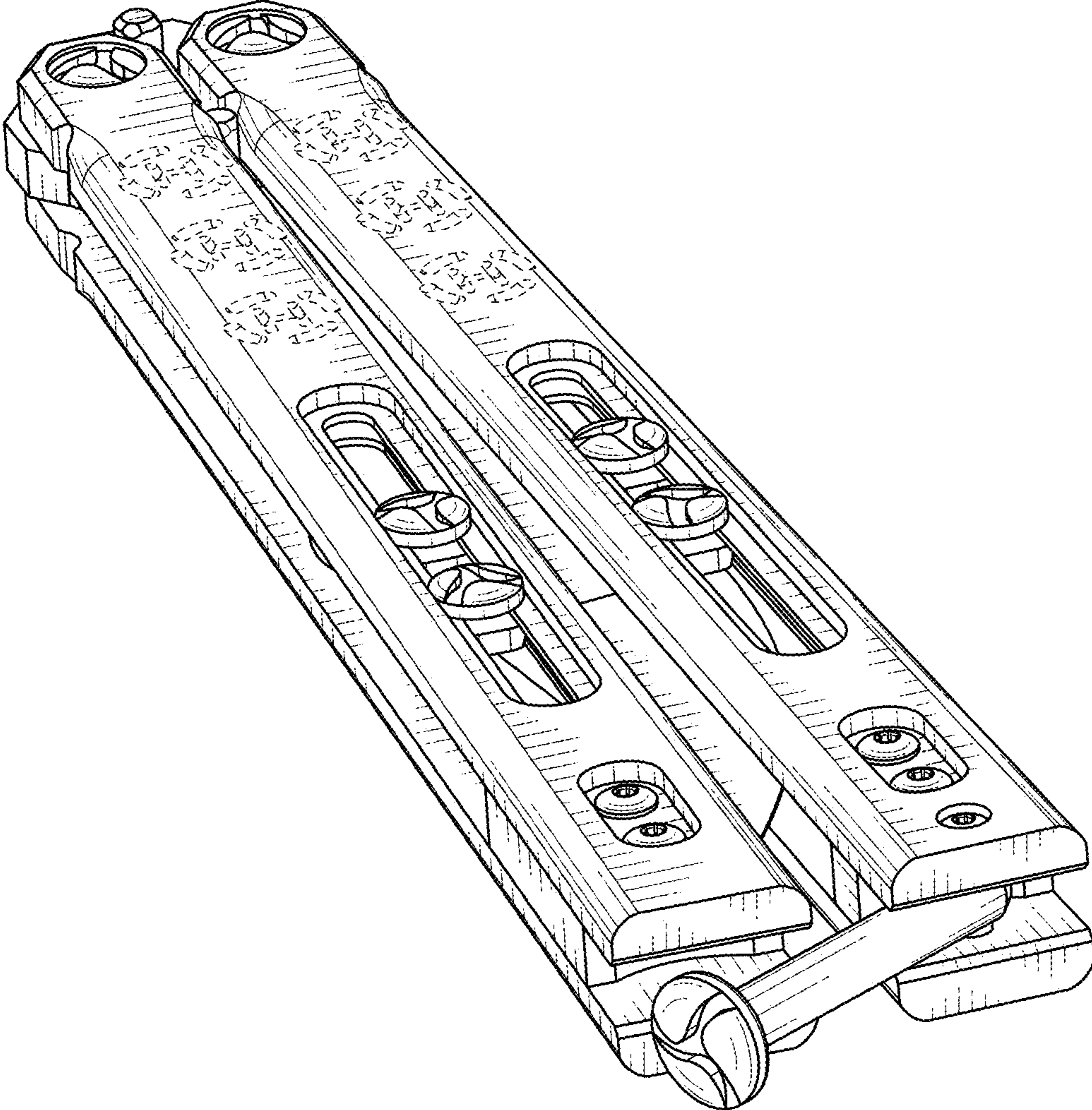


FIG. 2

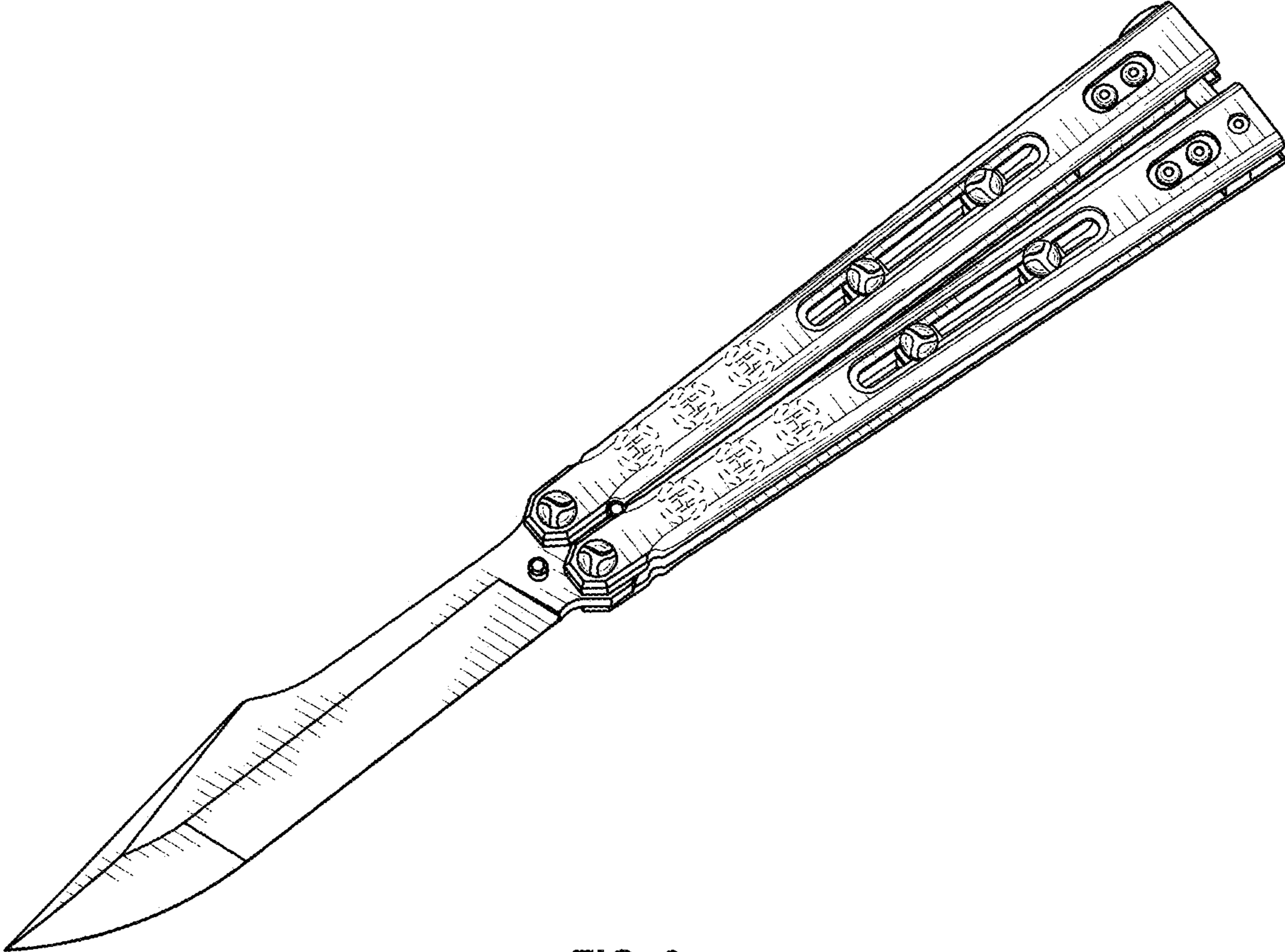


FIG. 3

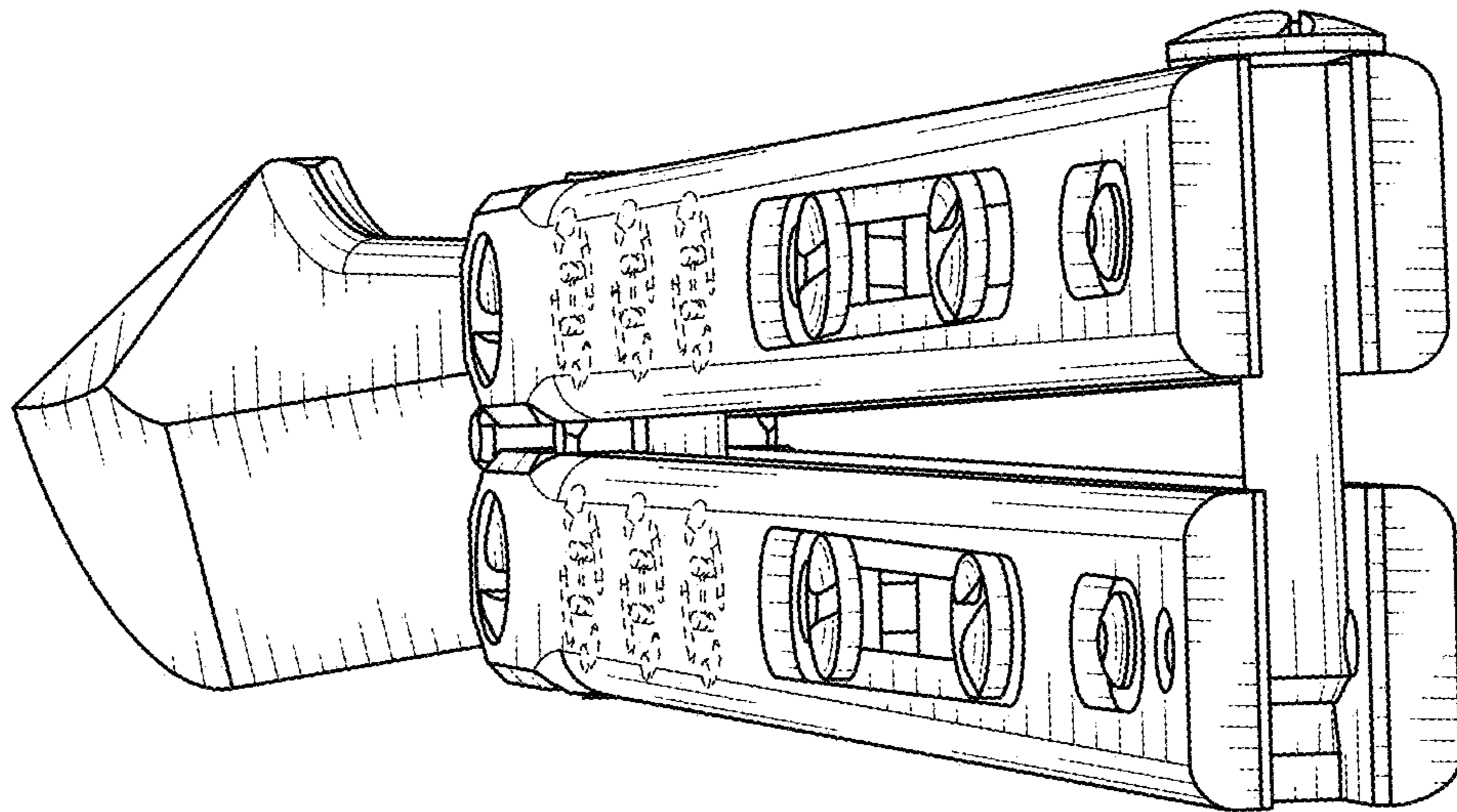


FIG. 4

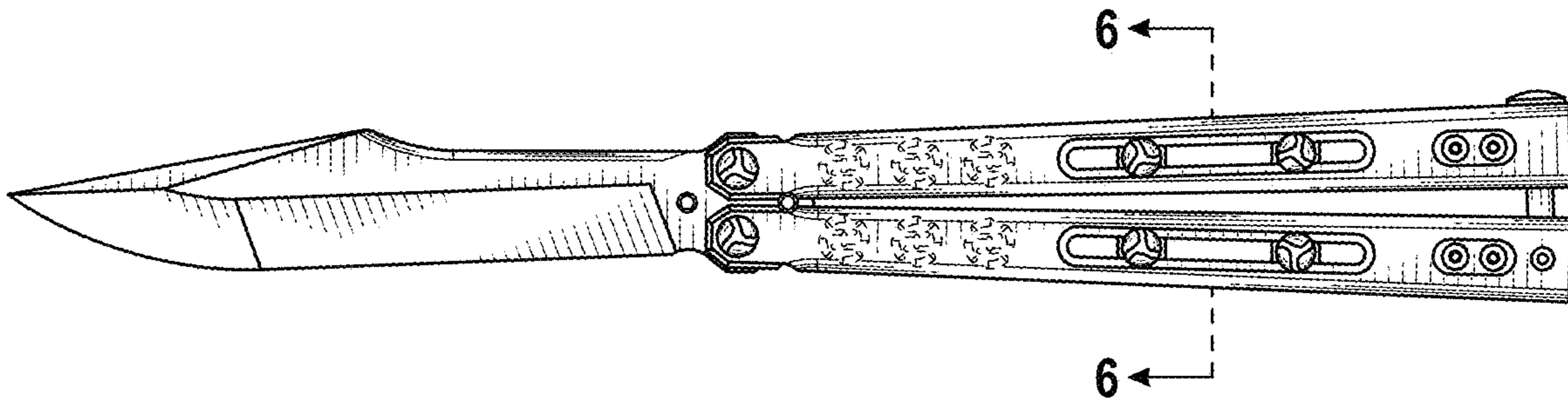


FIG. 5

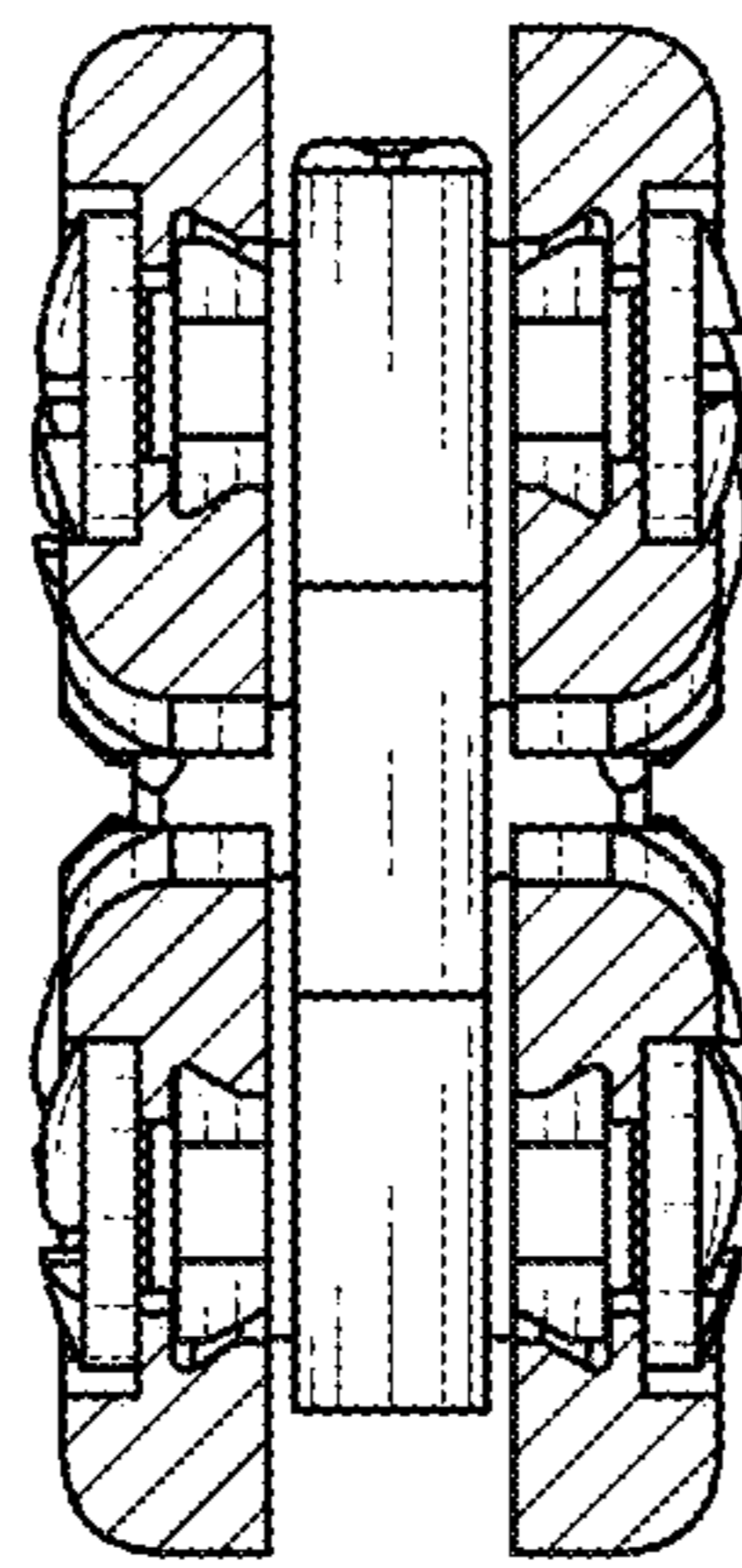


FIG. 6

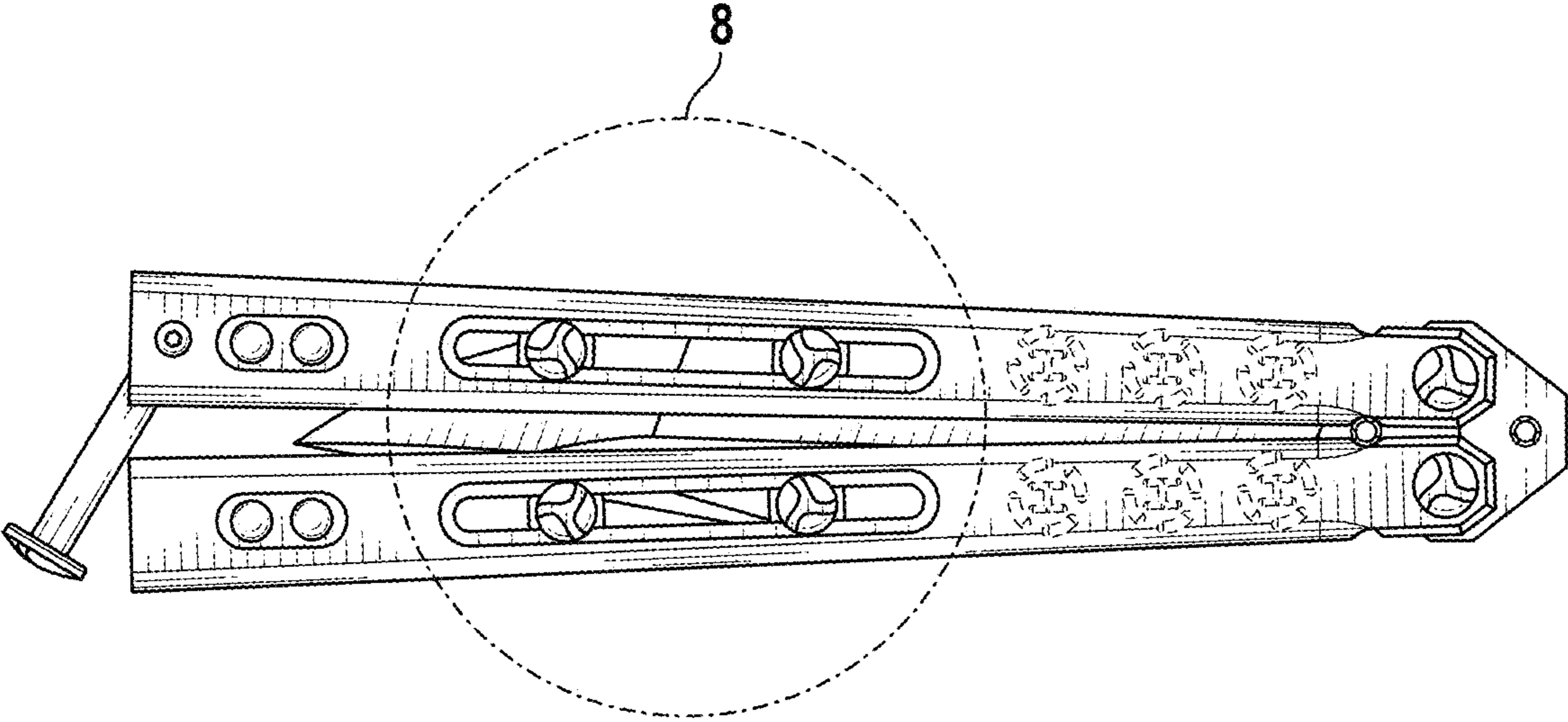


FIG. 7

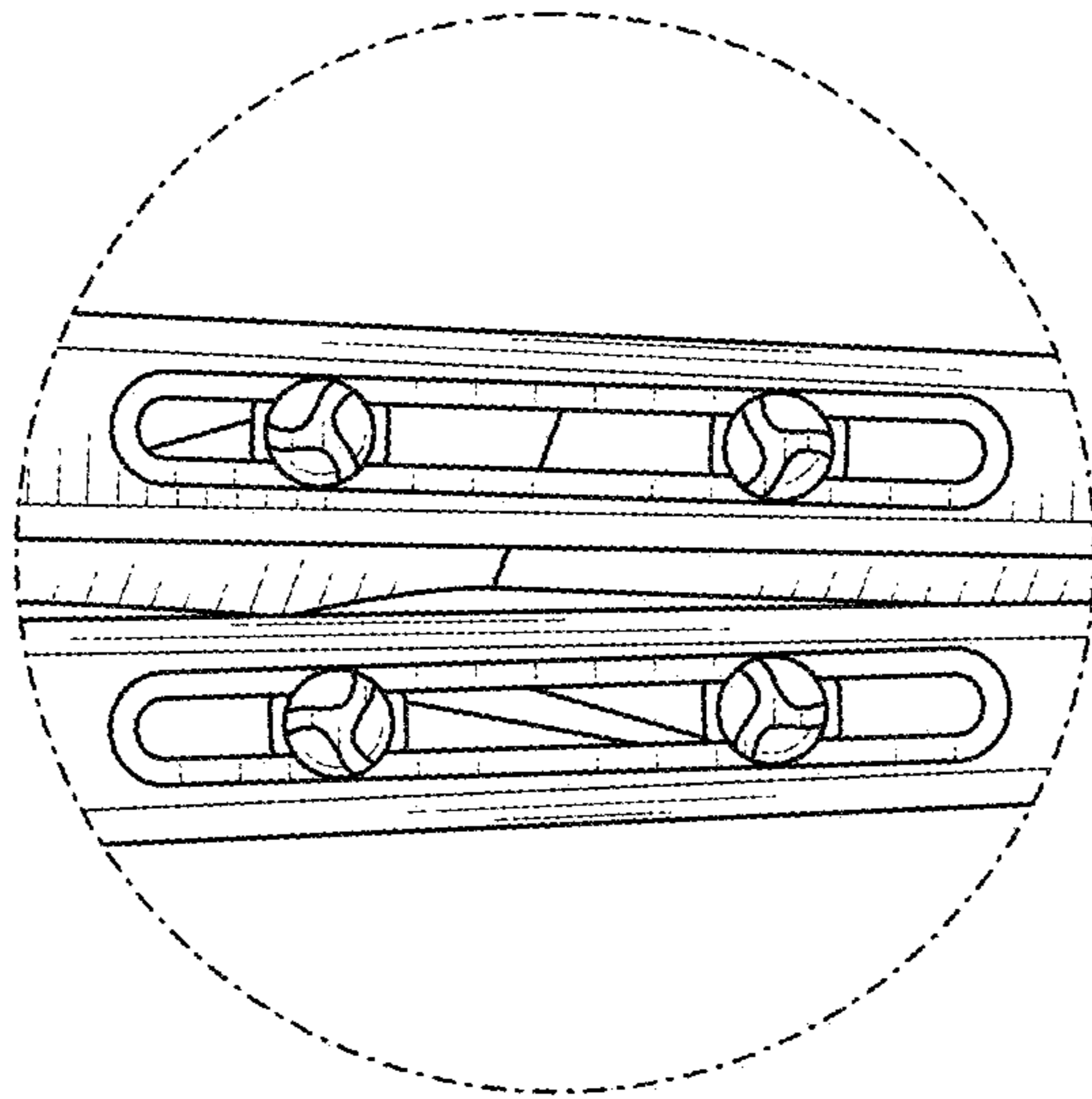


FIG. 8



FIG. 9