

US00D920762S

(12) **United States Design Patent**
Scimone et al.

(10) **Patent No.: US D920,762 S**
(45) **Date of Patent: ** Jun. 1, 2021**

(54) **FOLDING KNIFE**
(71) Applicant: **SLICE, INC.**, San Jose, CA (US)
(72) Inventors: **Thomas John Scimone**, San Jose, CA (US); **Scot Herbst**, Santa Cruz, CA (US); **William W. Hunter**, Santa Cruz, CA (US); **Robert Joseph Gallegos**, Fremont, CA (US)

(73) Assignee: **Slice, Inc.**, San Jose, CA (US)

(**) Term: **15 Years**

(21) Appl. No.: **29/699,962**

(22) Filed: **Jul. 30, 2019**

(51) **LOC (13) Cl.** **08-03**

(52) **U.S. Cl.**
USPC **D8/99**

(58) **Field of Classification Search**
USPC D8/98, 99, 100, 105, 107; D22/118
CPC .. B26B 1/08; B26B 5/00; B26B 5/001; B26B 5/002; B26B 5/003; B26B 5/006; B26B 1/00; B26B 1/04; B26B 1/10; B26B 11/00

See application file for complete search history.

(56) **References Cited**

U.S. PATENT DOCUMENTS

6,354,007 B1 * 3/2002 Scarla B26B 1/02 30/156
D501,782 S * 2/2005 Ping D8/99
D543,822 S * 6/2007 Ping B26B 1/042 D8/99
D578,367 S * 10/2008 Robinson D8/99

D591,135 S * 4/2009 Wu D8/99
8,201,336 B2 * 6/2012 De B26B 5/001 30/162
9,586,329 B2 * 3/2017 Schutt B26B 29/02
D879,579 S * 3/2020 Di Muro D8/99
2006/0272157 A1 * 12/2006 Zeng B26B 1/048 30/161
2012/0066910 A1 * 3/2012 Shantha B26B 1/04 30/122
2012/0180326 A1 * 7/2012 Wu B26B 1/042 30/337
2018/0290313 A1 * 10/2018 Scimone B26B 1/046

* cited by examiner

Primary Examiner — Philip S Hyder

(74) Attorney, Agent, or Firm — Ellenoff Grossman & Schole LLP; James M. Smedley; Alex Korona

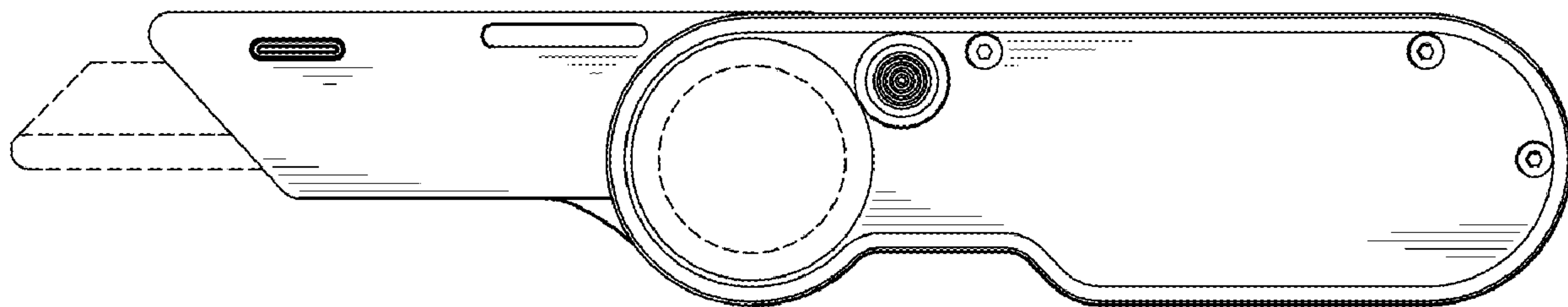
(57) **CLAIM**

We claim the ornamental design for a folding knife, as shown and described.

DESCRIPTION

FIG. 1 is a left side view of the folding knife.
FIG. 2 is a right side view of the folding knife.
FIG. 3 is a top side view of the folding knife.
FIG. 4 is a bottom side view of the folding knife.
FIG. 5 is a front view of the folding knife; and,
FIG. 6 is a rear view of the folding knife.
The shading lines shown in the drawings represent the approximate three-dimensional contour of the design, and are not intended to indicate surface decoration.
The broken lines depict portions of the folding knife in which the design is embodied that are not considered part of the claimed design.

1 Claim, 2 Drawing Sheets



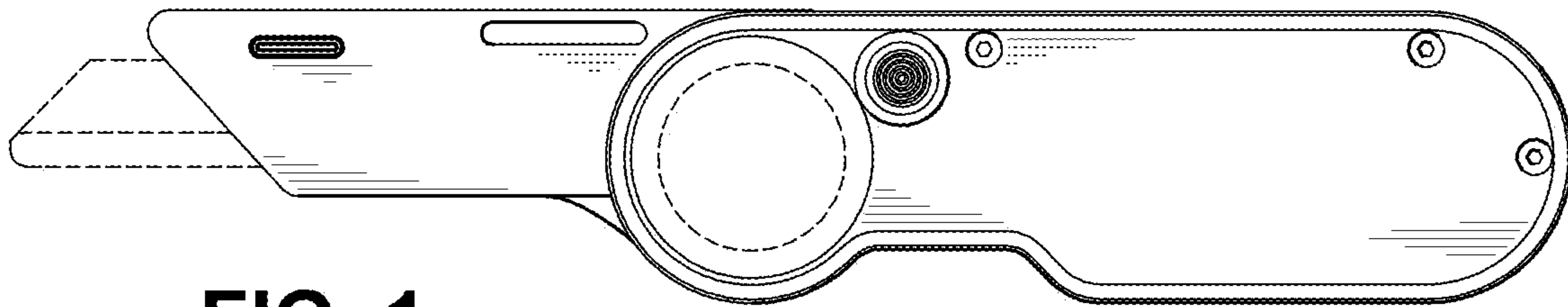


FIG. 1

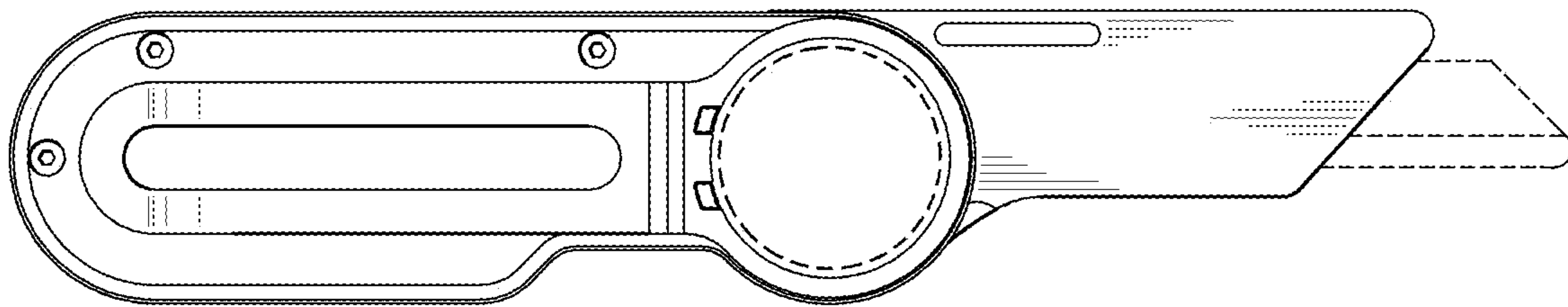


FIG. 2

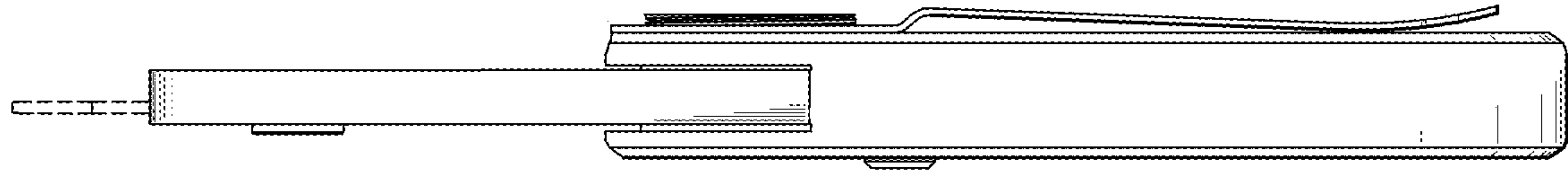


FIG. 3

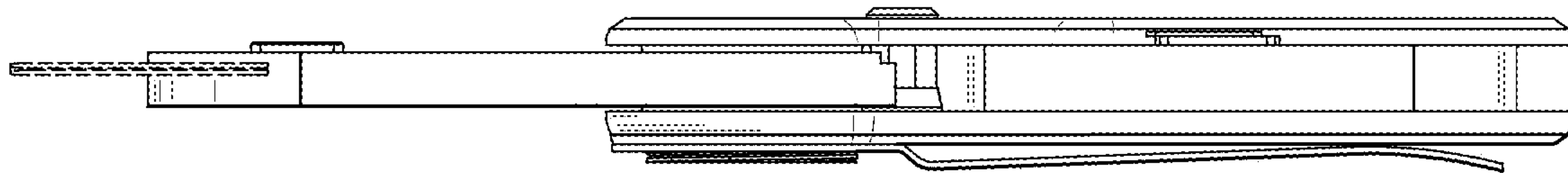


FIG. 4

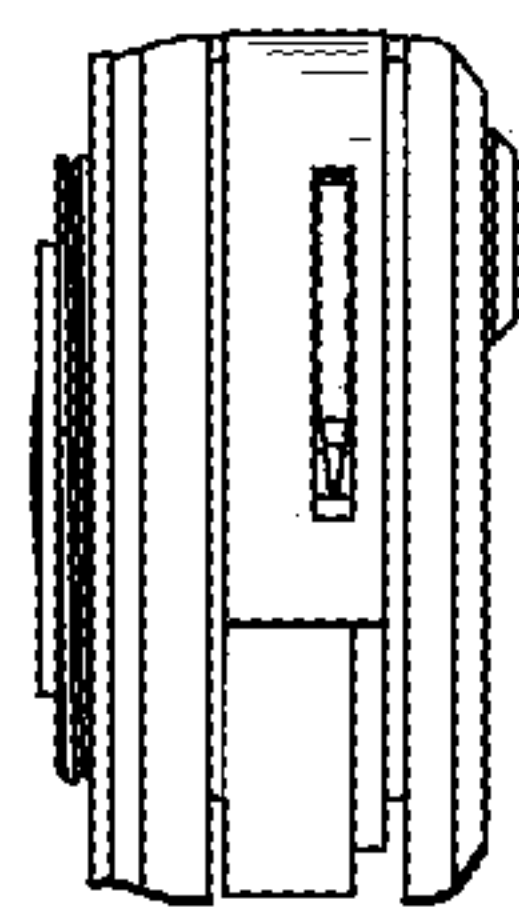


FIG. 5

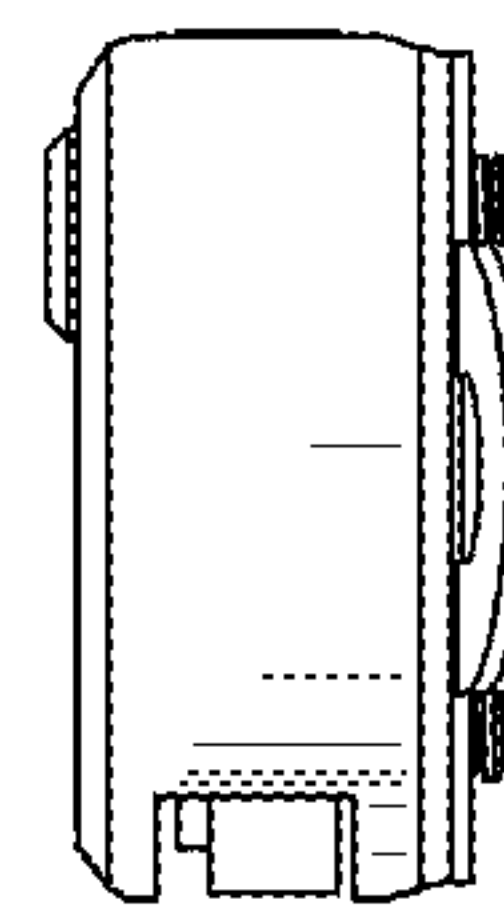


FIG. 6