



US00D920757S

(12) **United States Design Patent**  
**Concari**

(10) **Patent No.:** **US D920,757 S**  
(45) **Date of Patent:** **\*\* Jun. 1, 2021**

- (54) **CORDLESS NAILER** 3,281,046 A \* 10/1966 Boulay ..... B25C 3/002  
227/115
- (71) Applicant: **BLACK & DECKER INC.**, New Britain, CT (US) 3,313,463 A \* 4/1967 Boucher ..... A47G 27/0487  
227/108
- (72) Inventor: **Gabriel E. Concari**, Eldersburg, MD (US) D323,272 S \* 1/1992 Dion ..... D8/49  
D419,048 S \* 1/2000 Batts, Jr. .... D8/61  
6,095,392 A \* 8/2000 Batts, Jr. .... B25C 1/008  
227/130
- (73) Assignee: **Black & Decker, Inc.**, New Britain, CT (US) D438,769 S \* 3/2001 Deziel ..... D8/49  
7,198,188 B2 \* 4/2007 Dion ..... B25C 7/00  
16/426
- (\*\*) Term: **15 Years** D563,748 S \* 3/2008 Li ..... D8/68  
2006/0261129 A1 \* 11/2006 McGee ..... F16B 7/105  
227/148
- (21) Appl. No.: **29/682,421** 2007/0057013 A1 \* 3/2007 Deziel ..... B25C 7/00  
227/147
- (22) Filed: **Mar. 5, 2019**

\* cited by examiner

**Related U.S. Application Data**

- (63) Continuation of application No. 29/603,047, filed on May 5, 2017, now Pat. No. Des. 873,105, which is a continuation-in-part of application No. 29/620,368, filed on Nov. 7, 2016, now Pat. No. Des. 817,734.
- (51) **LOC (13) Cl.** ..... **08-05**
- (52) **U.S. Cl.**  
USPC ..... **D8/68**
- (58) **Field of Classification Search**  
USPC ..... D8/61-70  
CPC .. B25C 1/001; B25C 1/04; B25C 1/06; B25C 1/041; B25C 1/047  
See application file for complete search history.

Primary Examiner — Darlington Ly

(74) *Attorney, Agent, or Firm* — Rhonda Barton

(57) **CLAIM**

The ornamental design for a cordless nailer, as shown and described.

**DESCRIPTION**

FIG. 1 is a top and right-side perspective view of a cordless nailer showing our new design;  
 FIG. 2 is a top and left-side perspective view thereof;  
 FIG. 3 is a right-side elevation view thereof;  
 FIG. 4 is a left-side elevation view thereof;  
 FIG. 5 is a front elevation view thereof;  
 FIG. 6 is a rear elevation view thereof;  
 FIG. 7 is a top plan view thereof; and,  
 FIG. 8 is a bottom plan view thereof.

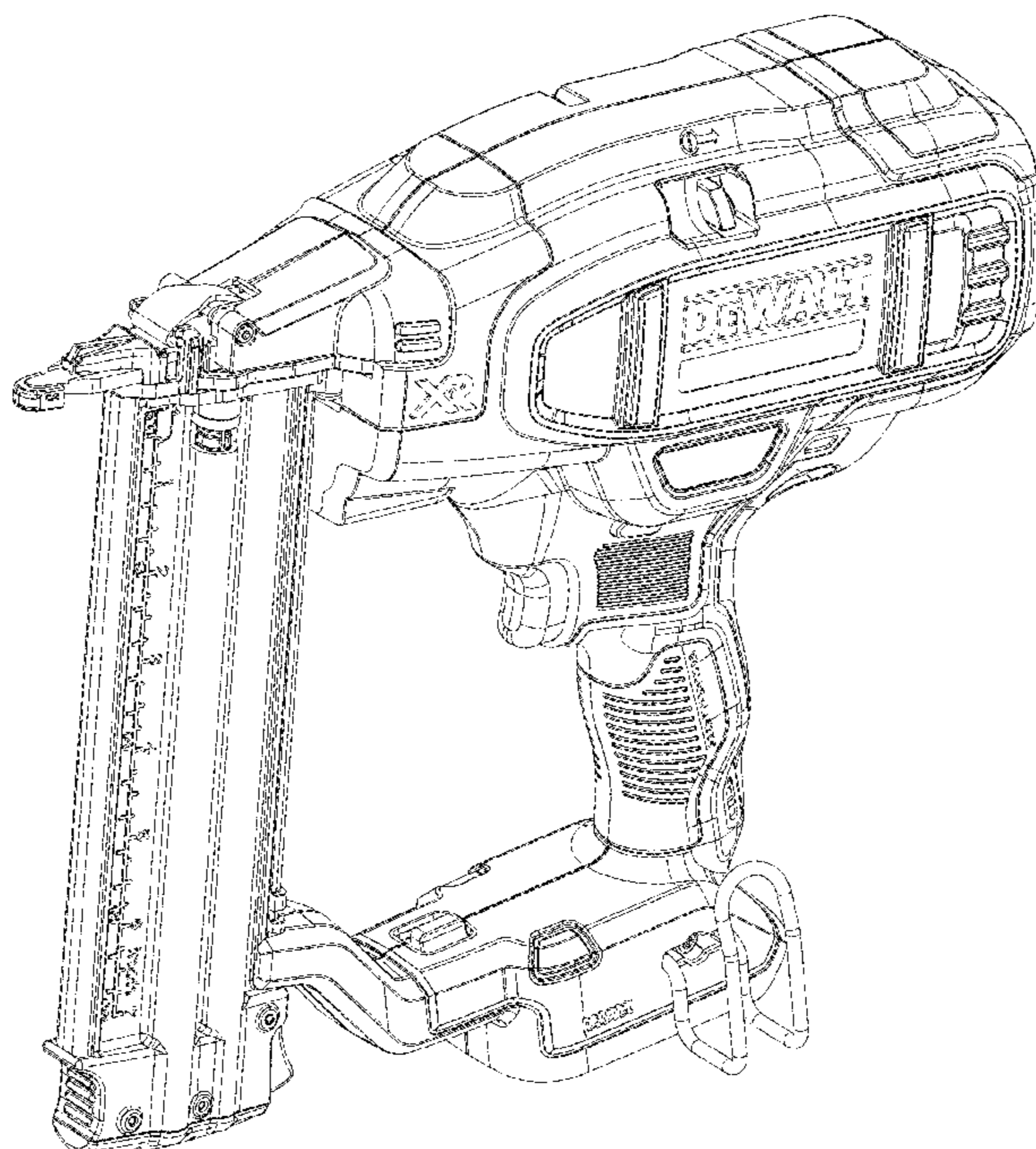
The broken lines in the drawings illustrate portions of the cordless nailer that form no part of the claimed design.

(56) **References Cited**

**U.S. PATENT DOCUMENTS**

- D195,799 S \* 7/1963 Heilman ..... D8/49
- 3,224,657 A \* 12/1965 Zike ..... B25C 5/0278  
227/88

**1 Claim, 8 Drawing Sheets**





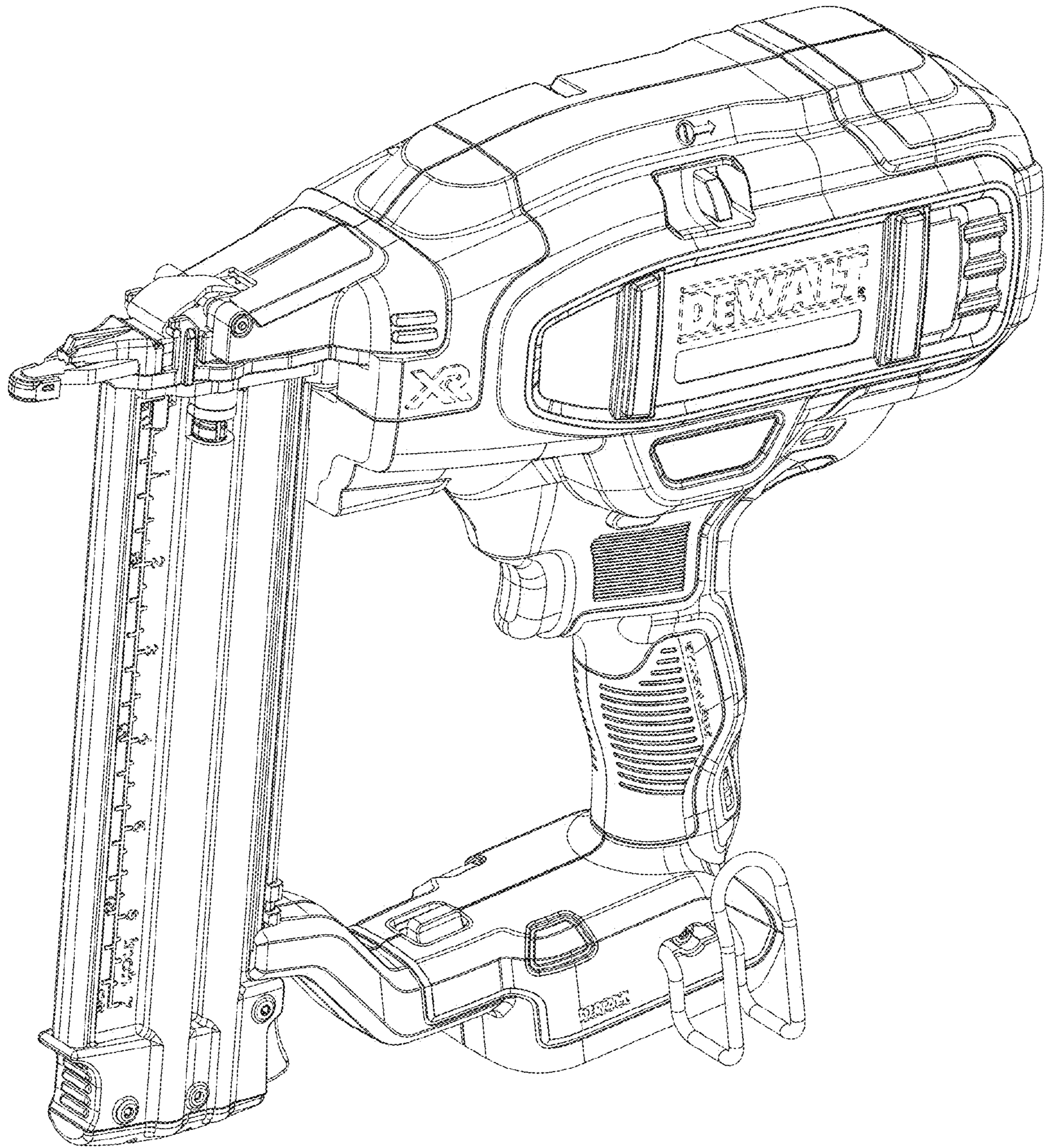


FIG. 1



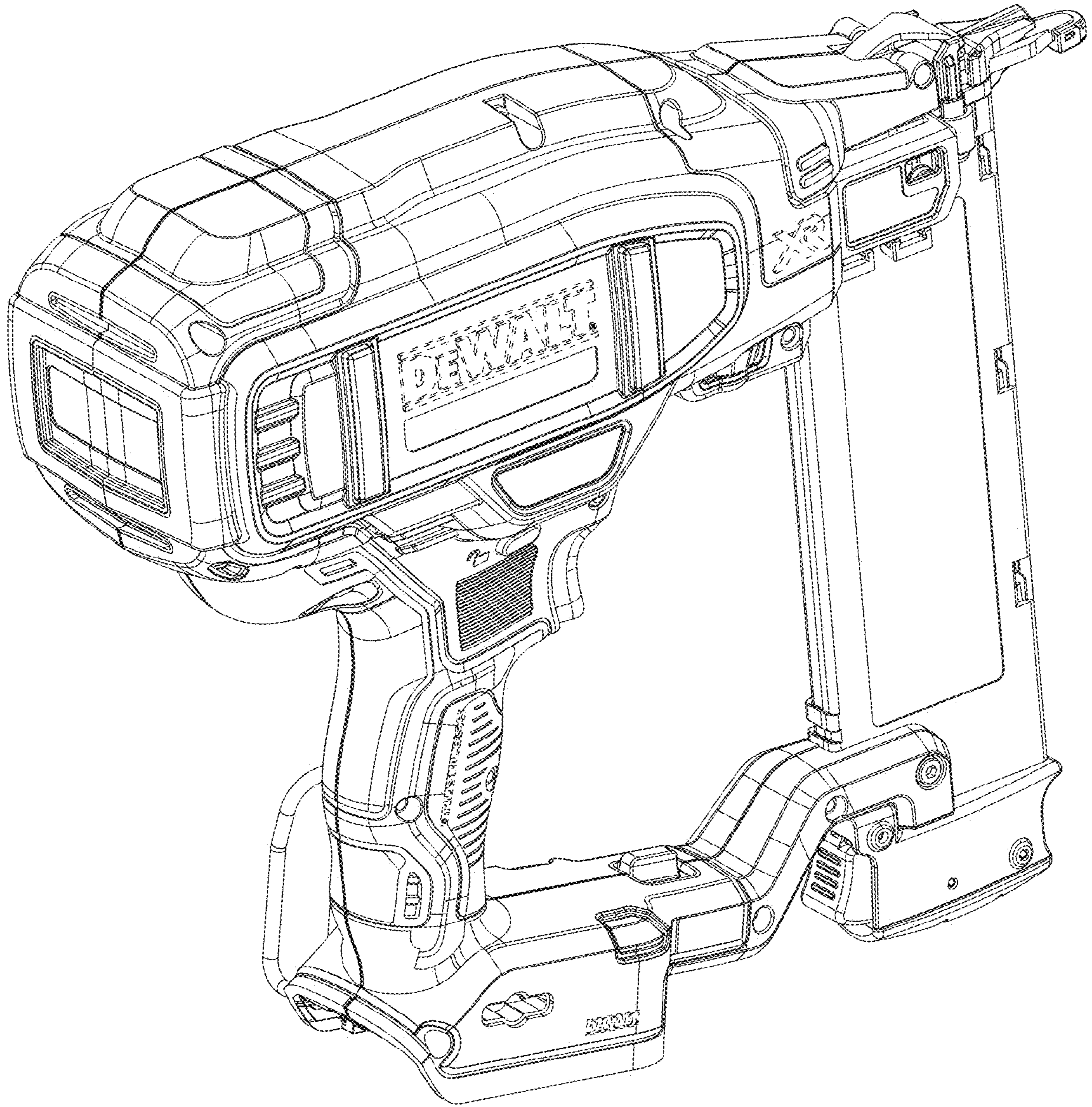


FIG. 2

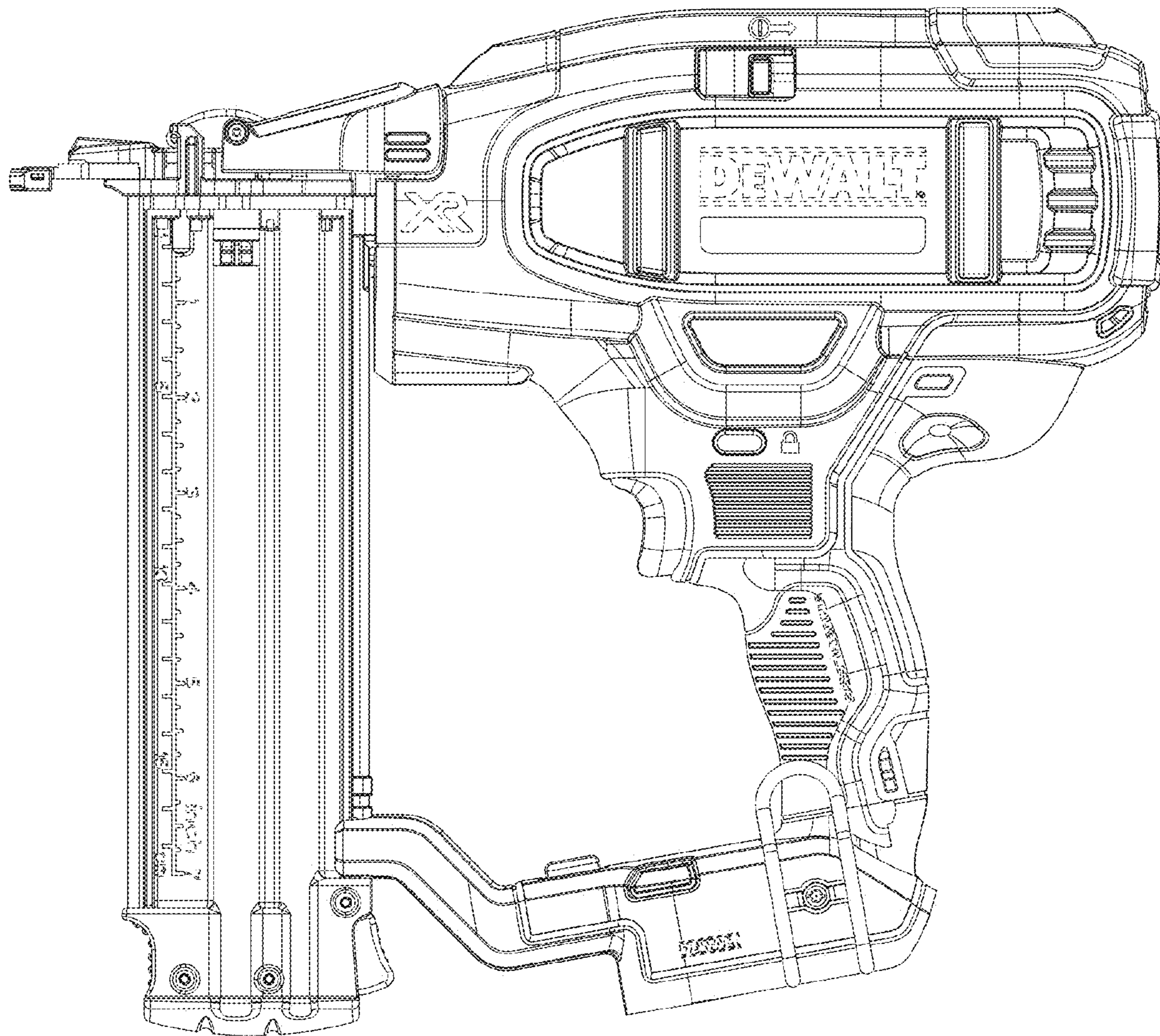


FIG. 3



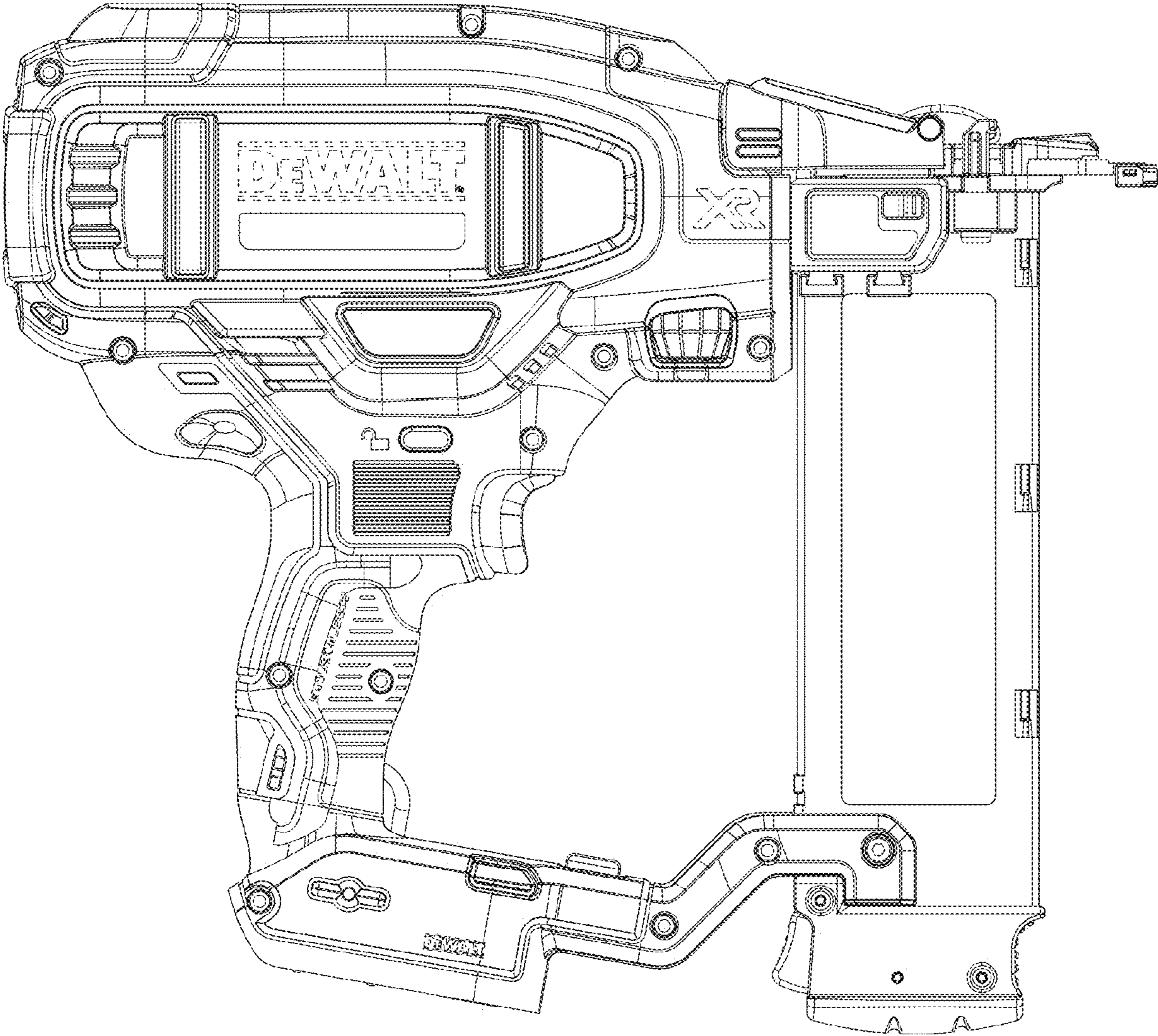


FIG. 4

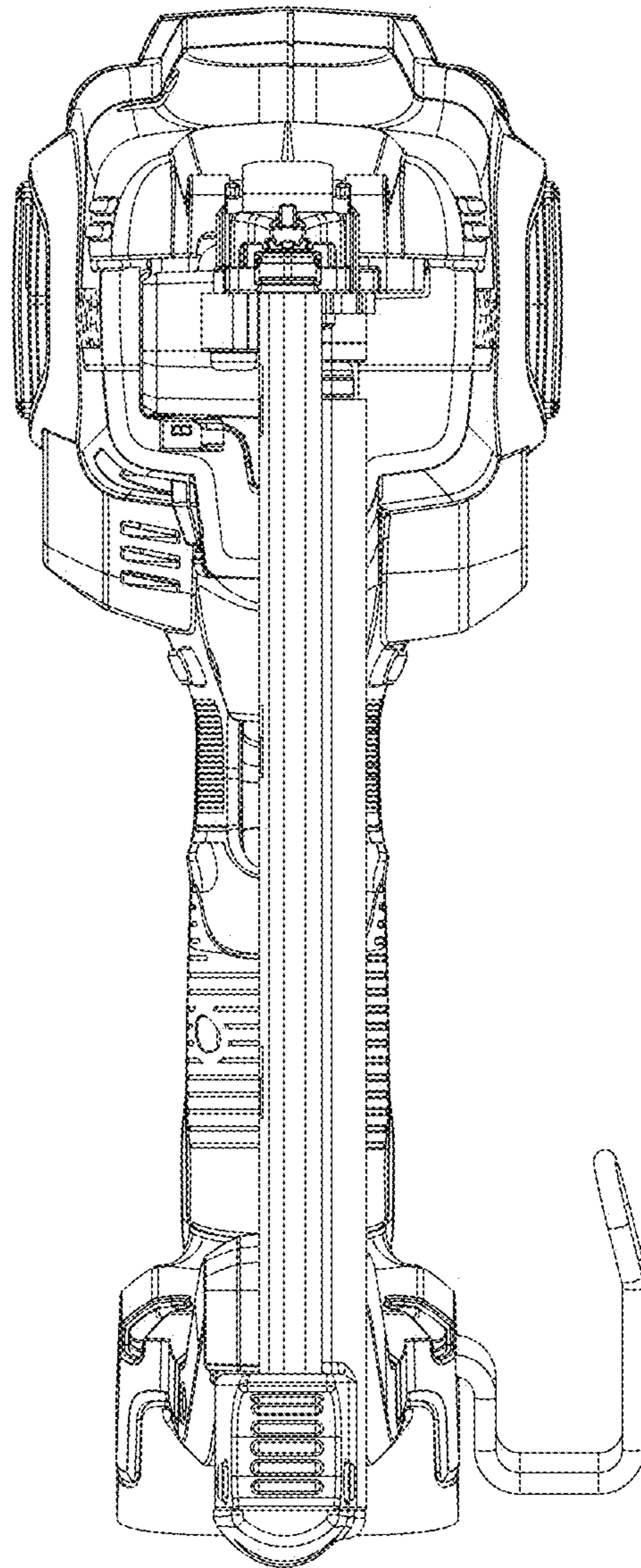


FIG. 5

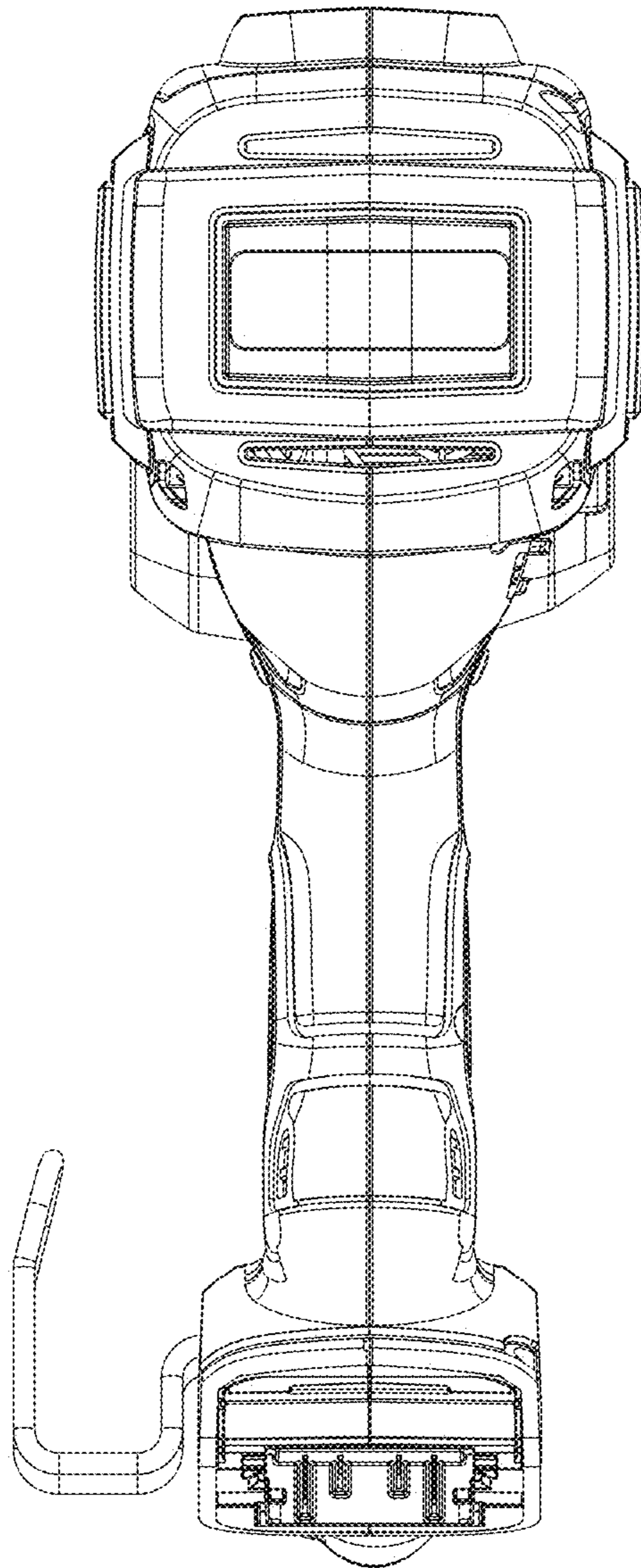


FIG. 6

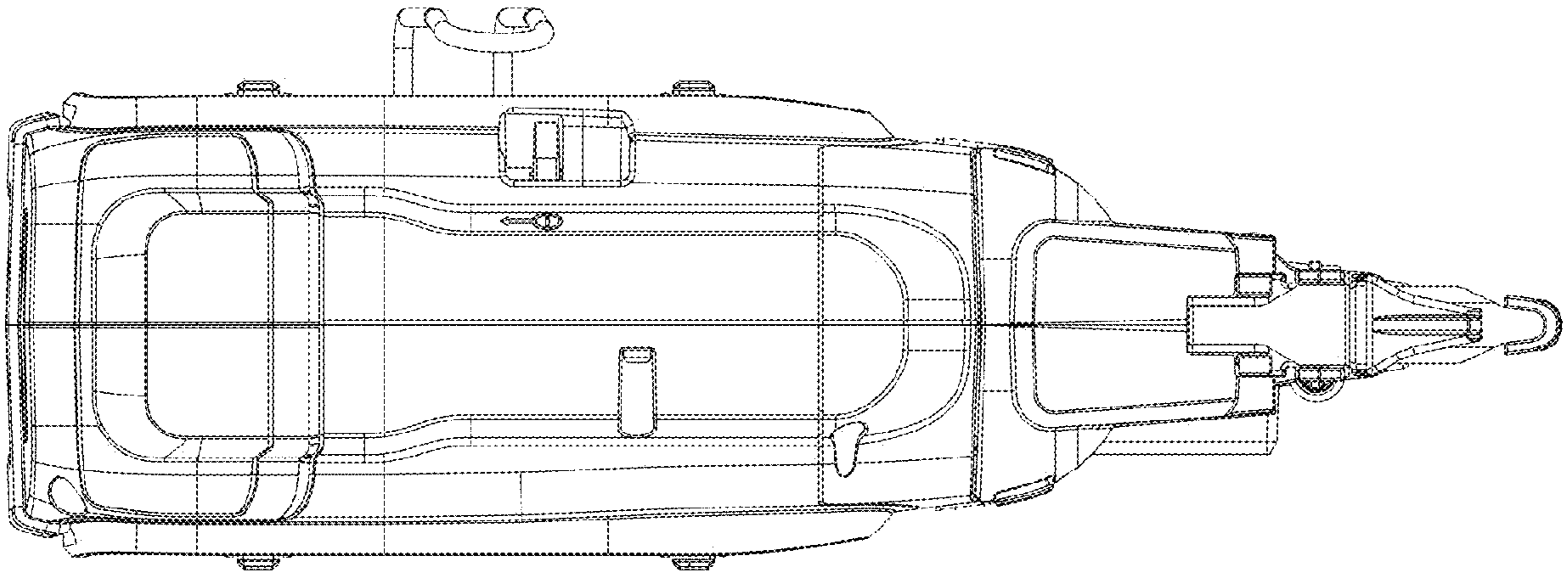


FIG. 7



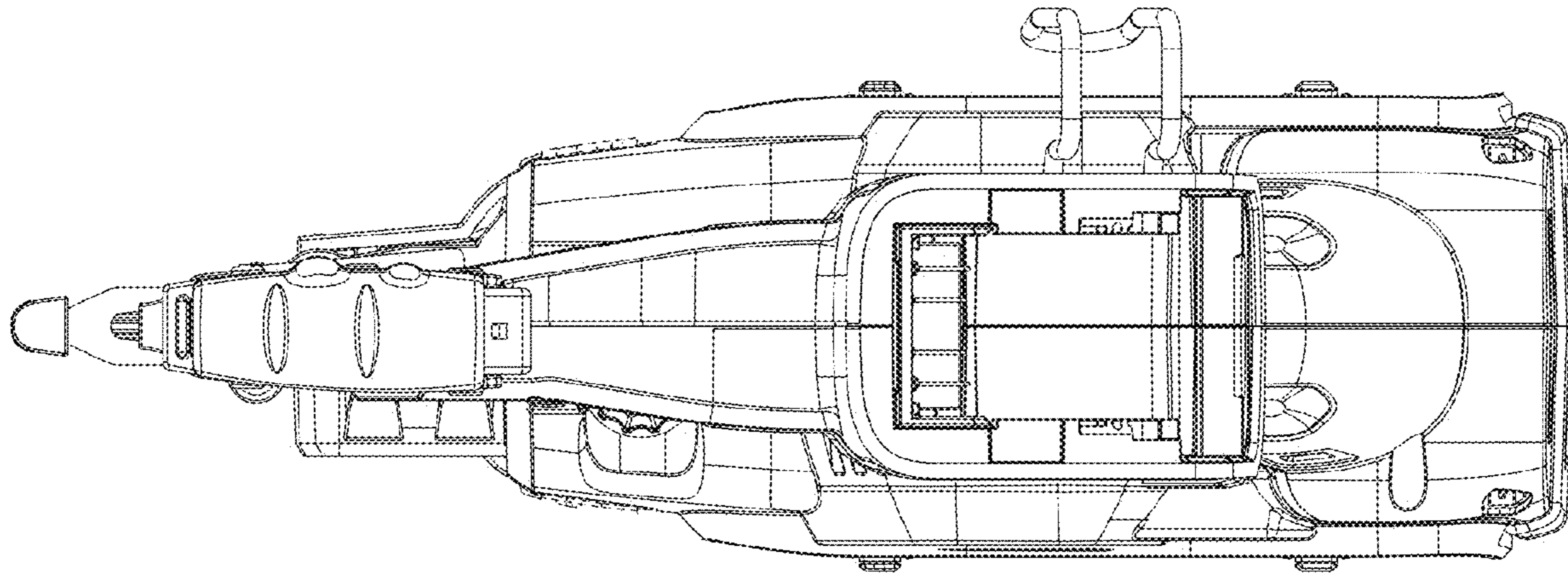


FIG. 8