



US00D920756S

(12) **United States Design Patent**
Blais et al.

(10) **Patent No.:** **US D920,756 S**
(45) **Date of Patent:** **** Jun. 1, 2021**

(54) **ASSEMBLY FOR A CUTTING TOOL**

FOREIGN PATENT DOCUMENTS

(71) Applicant: **AUTOMATION SOLUS INC.**,
St-Mathieu-de-Beloeil (CA)

WO D204168-004 * 11/2019

* cited by examiner

(72) Inventors: **Stéphane Blais**, St-Amable (CA);
Patrick Ferland, Ste-Julie (CA)

Primary Examiner — Deanna L Pratt

(74) *Attorney, Agent, or Firm* — Dilworth IP, LLC

(73) Assignee: **AUTOMATION SOLUS INC.**

(**) Term: **15 Years**

(57) **CLAIM**

(21) Appl. No.: **29/636,226**

The ornamental design for an assembly for a cutting tool, as shown and described.

(22) Filed: **Feb. 7, 2018**

(51) **LOC (13) Cl.** **08-05**

(52) **U.S. Cl.**
USPC **D8/51**

(58) **Field of Classification Search**
USPC D8/1, 4, 7, 14, 51, 98; D18/34.3, 34.7
CPC . B26D 1/30; B26D 1/305; B26D 1/26; B26D
1/265

See application file for complete search history.

DESCRIPTION

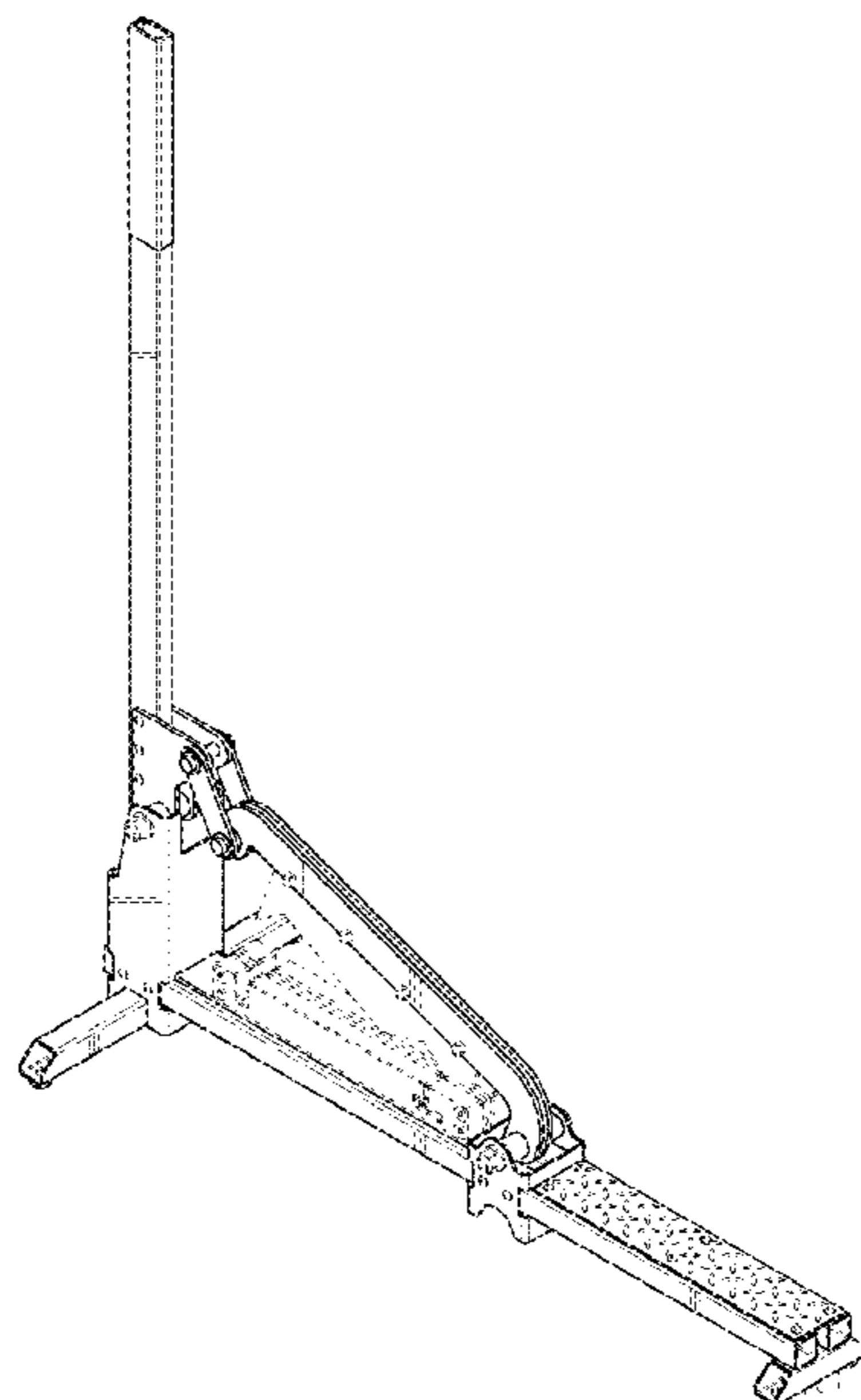
(56) **References Cited**

U.S. PATENT DOCUMENTS

D377,943 S *	2/1997	Quinton	D18/34.7
D476,213 S *	6/2003	Hepworth	D15/127
7,011,008 B2 *	3/2006	McLean	B26D 1/08 83/455
D525,095 S *	7/2006	Marcon	D8/51
D533,426 S *	12/2006	Torrents Comas	D8/98
D541,127 S *	4/2007	Yang	D8/51
D604,137 S *	11/2009	Ebert	D8/51
D652,704 S *	1/2012	Ebert	D8/98
D755,598 S *	5/2016	Gargallo	D8/51
D756,186 S *	5/2016	Sarmiento	D8/51
2009/0223067 A1 *	9/2009	Zhang	B23D 17/08 30/294
2011/0174130 A1 *	7/2011	Zhang	B26D 5/10 83/602

FIG. 1 is a top perspective view of an assembly for a cutting tool;
 FIG. 2 is a bottom perspective view of the assembly for a cutting tool;
 FIG. 3 is a left side elevation view of the assembly for a cutting tool;
 FIG. 4 is a right side elevation view of the assembly for a cutting tool;
 FIG. 5 is a front elevation view of the assembly for a cutting tool;
 FIG. 6 is a rear elevation view of the assembly for a cutting tool;
 FIG. 7 is a top plan view of the assembly for a cutting tool;
 and,
 FIG. 8 is a bottom plan view of the assembly for a cutting tool.
 The broken lines in the drawings illustrate portions of the assembly for a cutting tool that form no part of the claimed design.

1 Claim, 6 Drawing Sheets



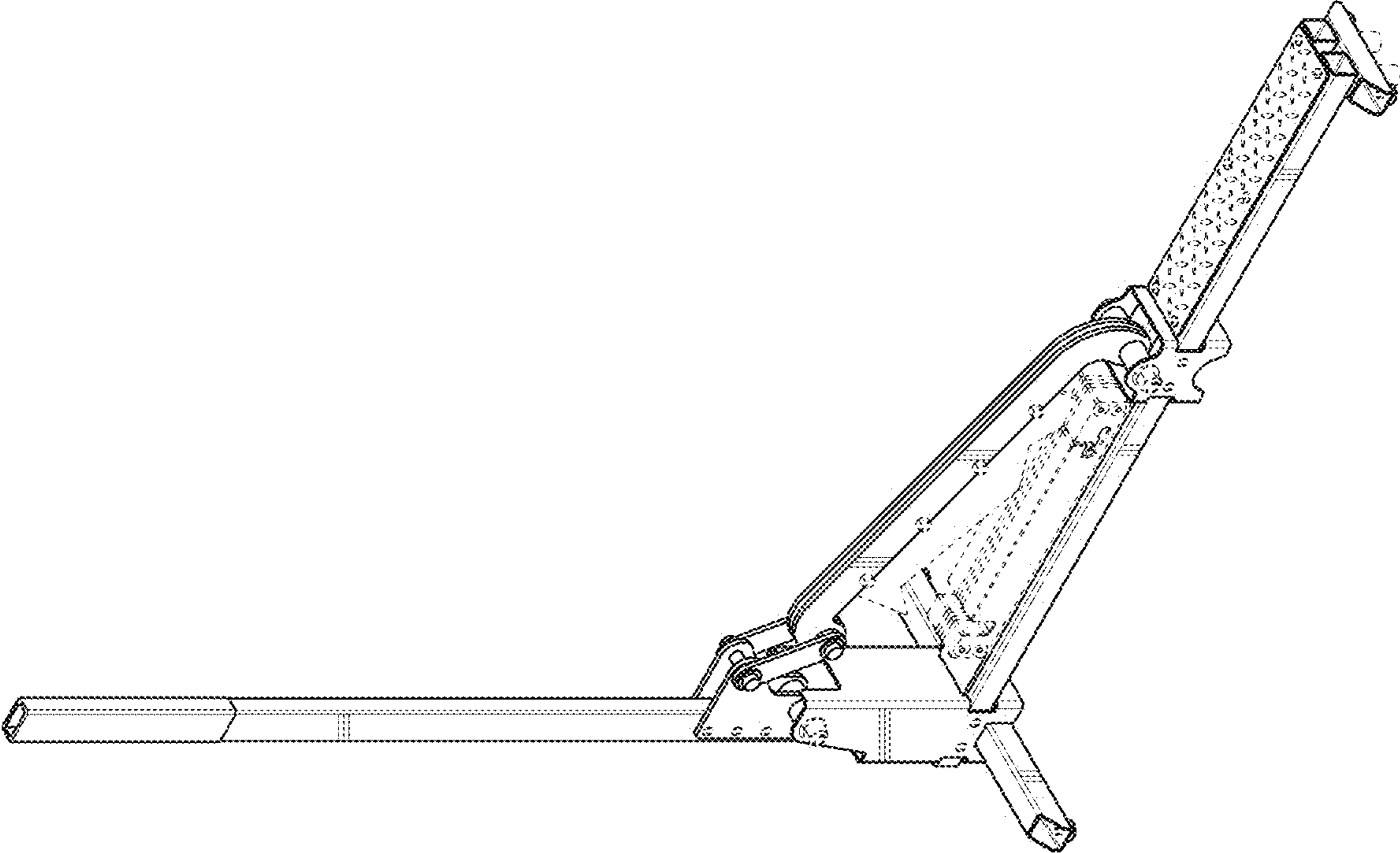


FIG. 1

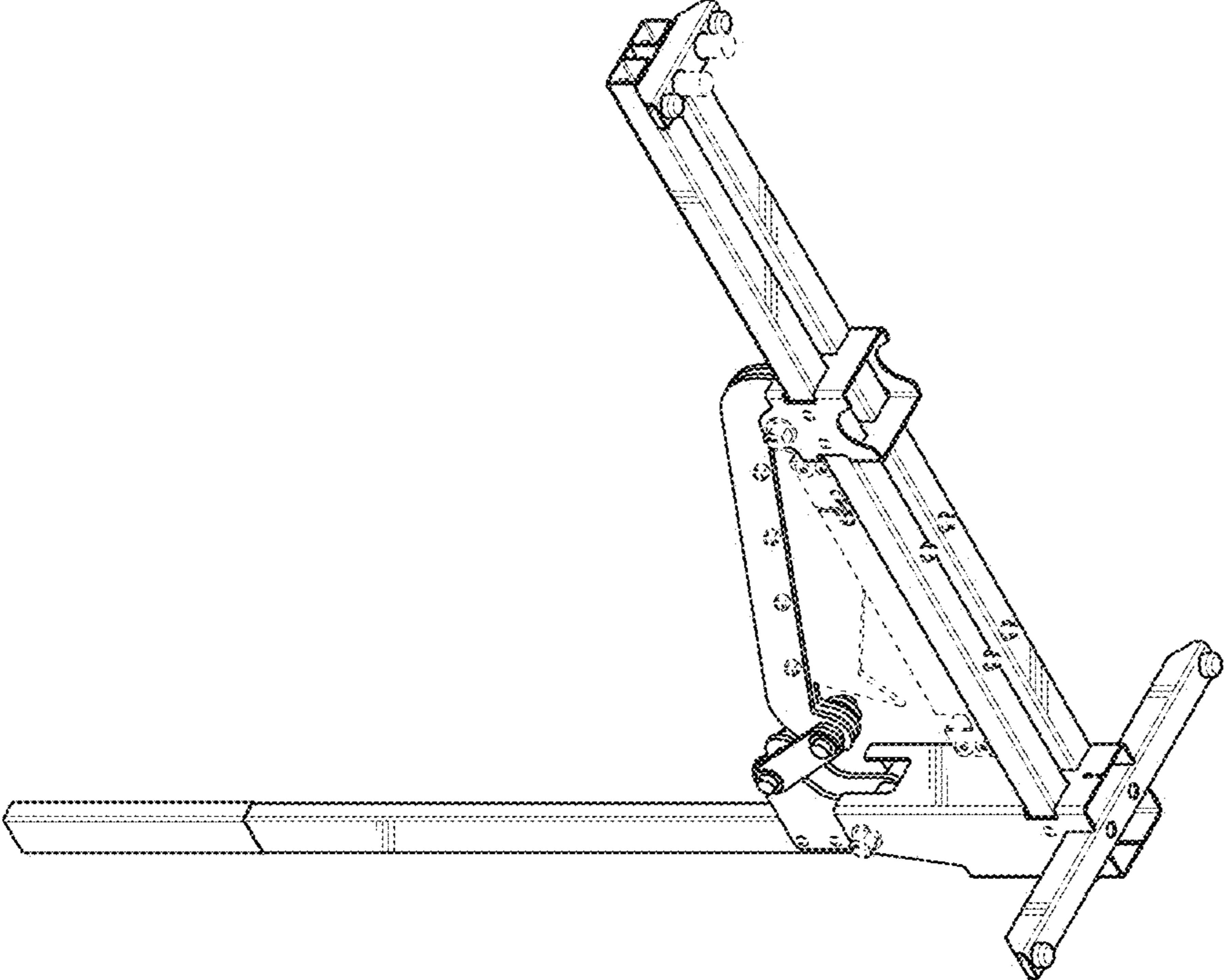


FIG. 2

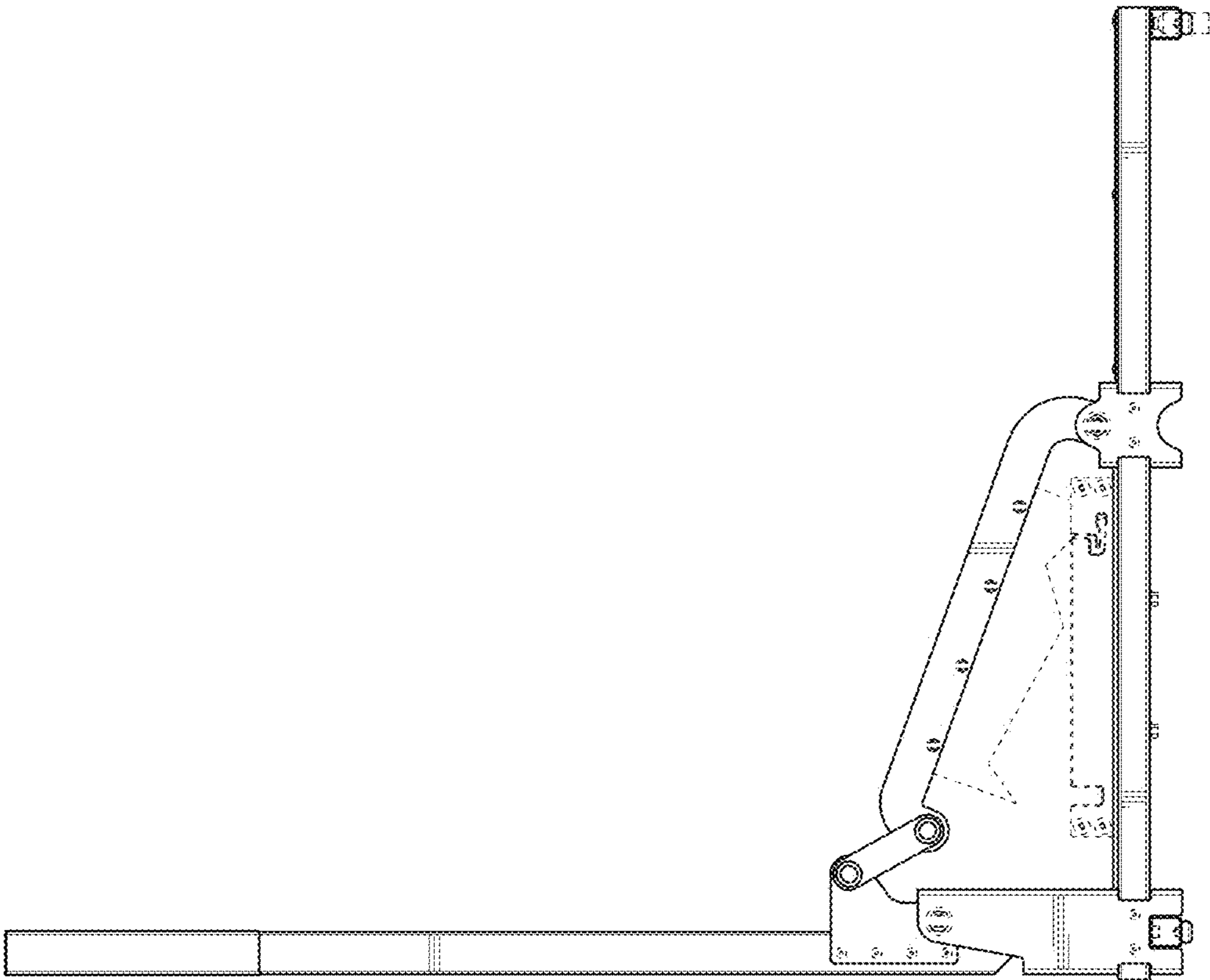


FIG. 3

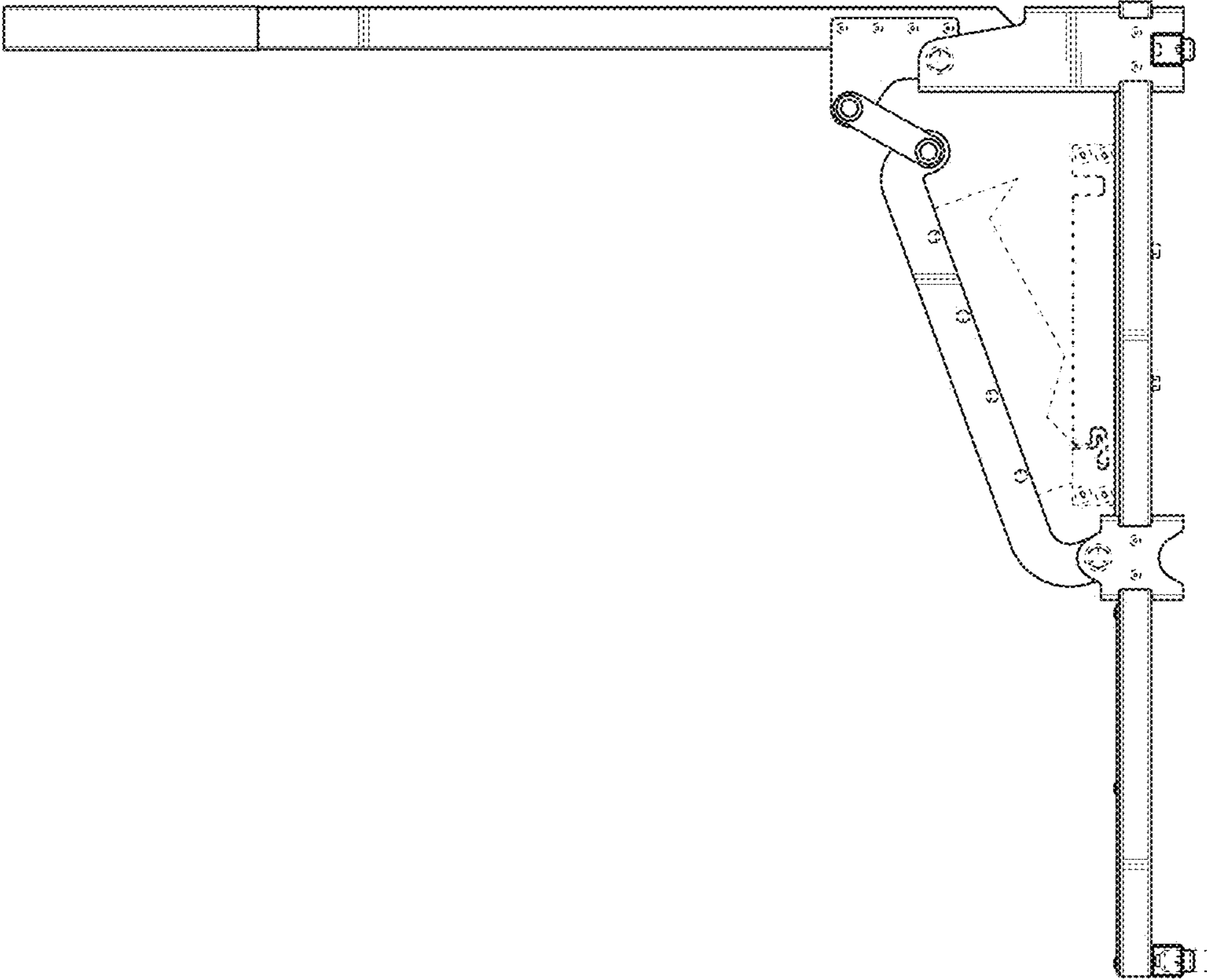


FIG. 4

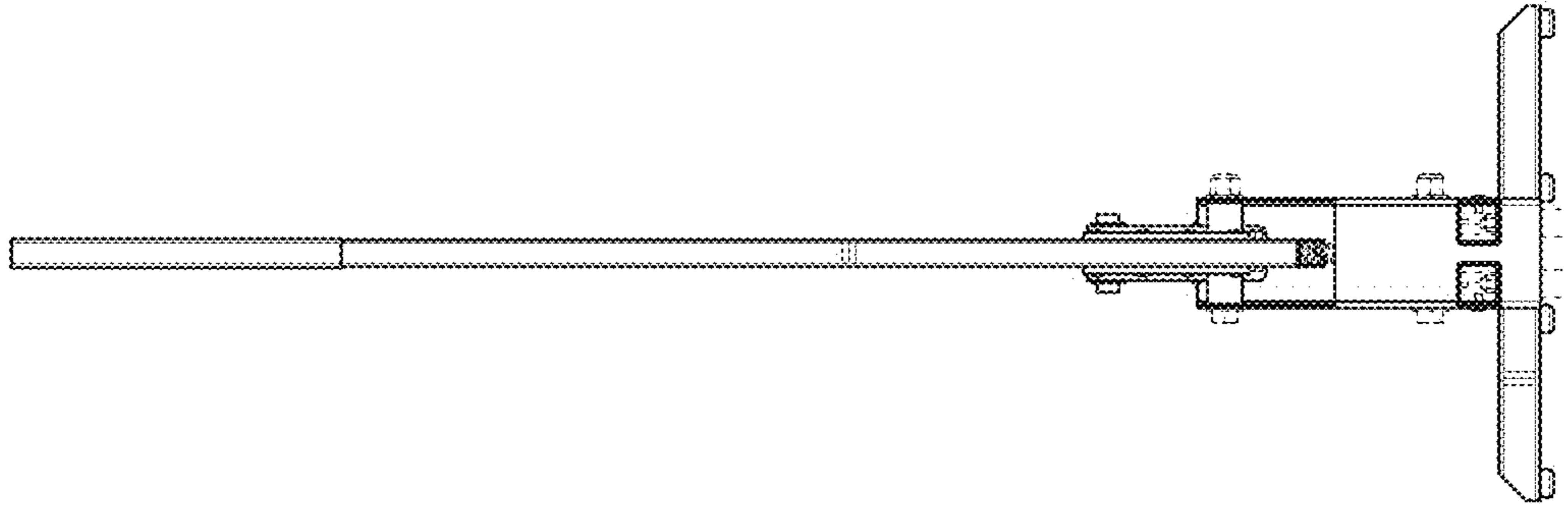


FIG. 6

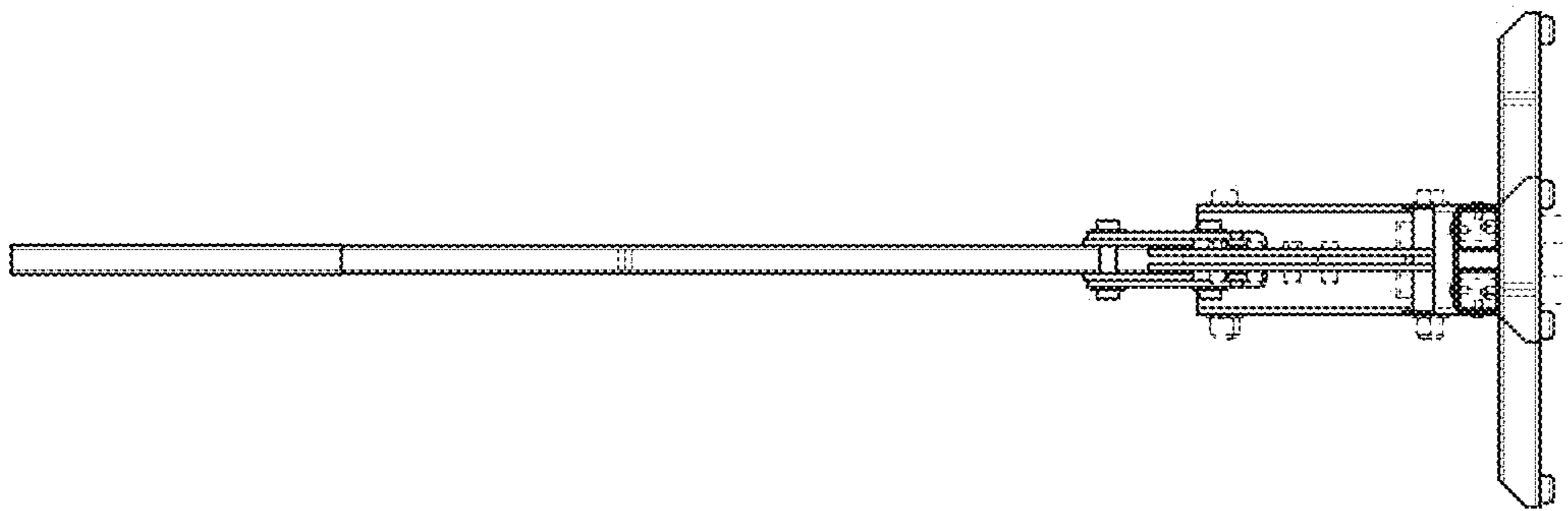


FIG. 5

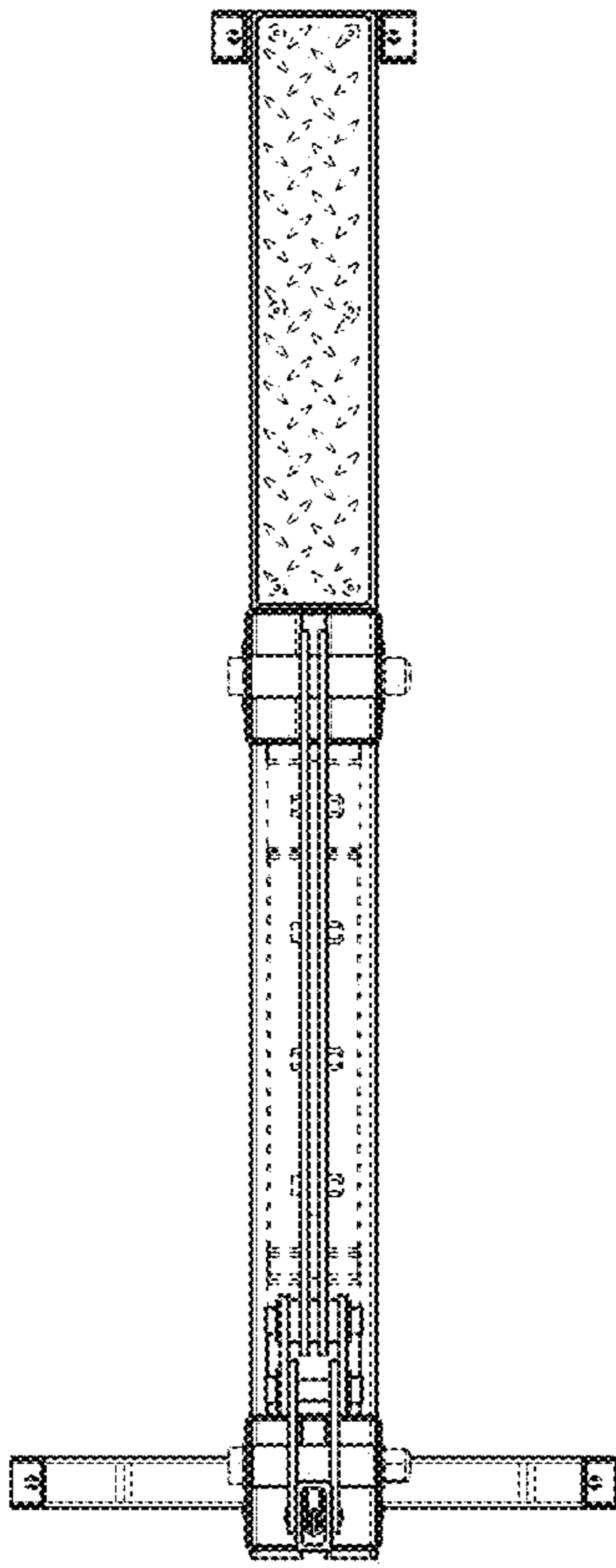


FIG. 7

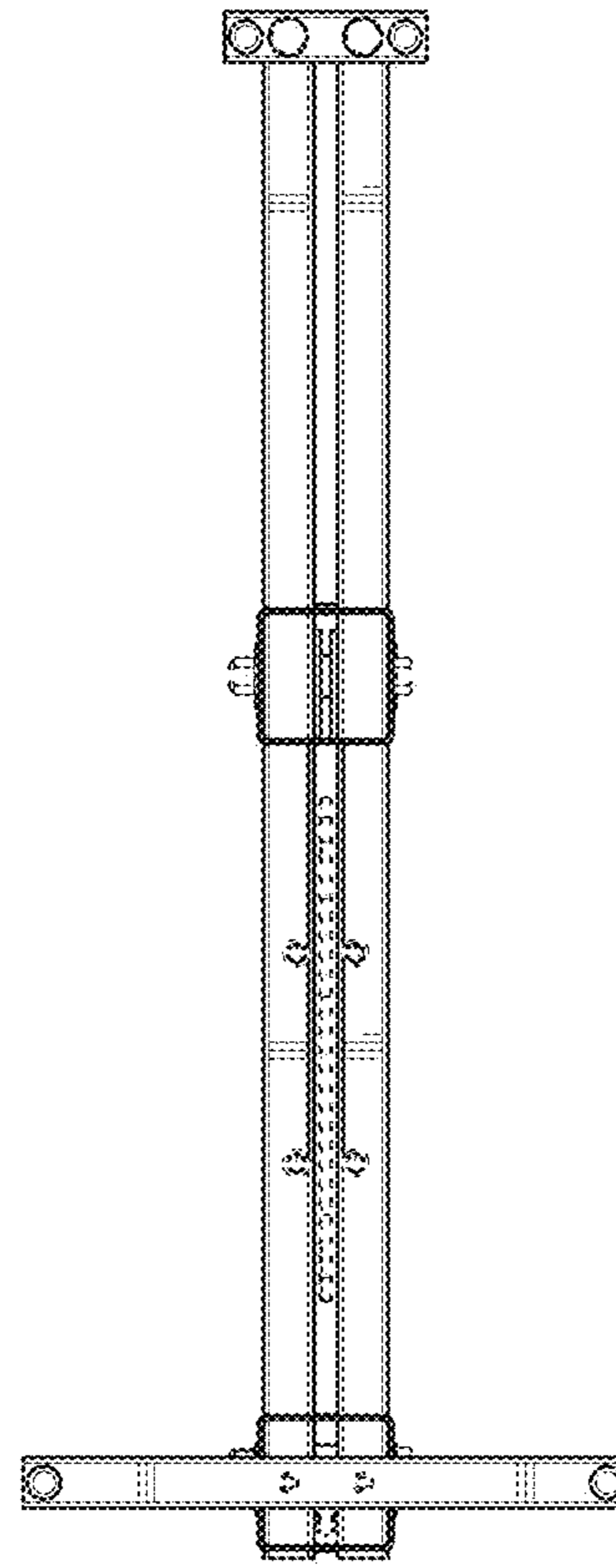


FIG. 8