



US00D920754S

(12) **United States Design Patent** (10) **Patent No.:** **US D920,754 S**
Davis (45) **Date of Patent:** **** Jun. 1, 2021**

(54) **RATCHET BIT DRIVER**
(71) Applicant: **Leatherman Tool Group, Inc.**,
Portland, OR (US)
(72) Inventor: **Lucy Emma Davis**, Portland, OR (US)
(73) Assignee: **LEATHERMAN TOOL GROUP,**
INC., Portland, OR (US)
(**) Term: **15 Years**
(21) Appl. No.: **29/710,241**
(22) Filed: **Oct. 22, 2019**
(51) **LOC (13) Cl.** **08-05**
(52) **U.S. Cl.**
USPC **D8/25; D8/82**
(58) **Field of Classification Search**
USPC D8/14, 51, 70, 82, 83, 84, 85, 107, 25
CPC B25B 15/04; B25B 13/463; B25B 13/465;
B25B 13/468
See application file for complete search history.

(56) **References Cited**
U.S. PATENT DOCUMENTS
4,791,837 A * 12/1988 Main B25B 13/00
81/177.1
6,047,801 A * 4/2000 Liao B25B 15/04
192/43.2
D476,875 S * 7/2003 Chen D8/82
6,644,147 B1 * 11/2003 Huang B25B 13/463
192/43.2
6,997,084 B1 * 2/2006 Gao B25B 13/463
192/43.1
D562,665 S * 2/2008 Gao D8/83
D589,319 S * 3/2009 Peters D8/70
D608,073 S * 1/2010 Alves B62B 1/006
D34/24

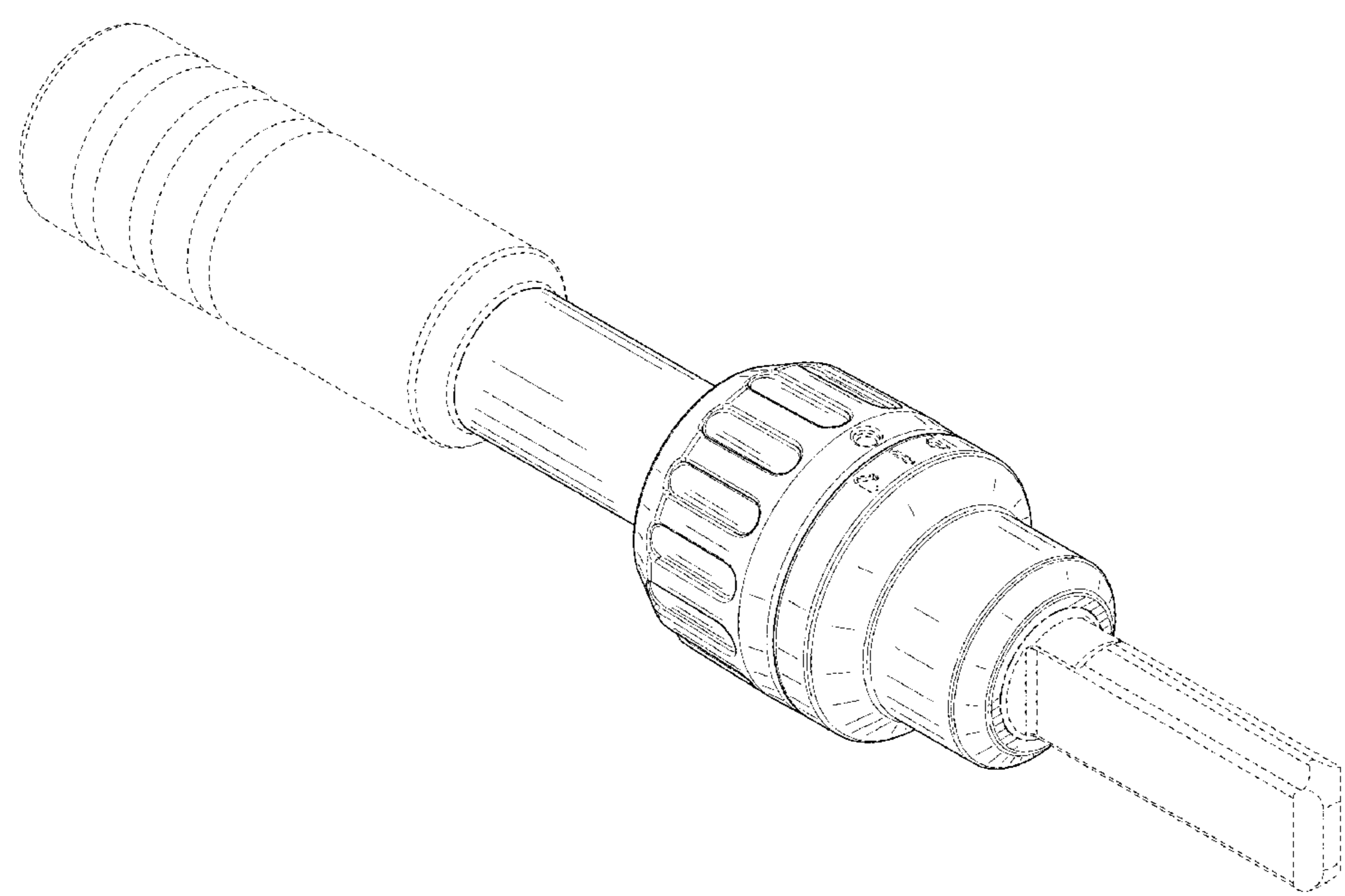
7,647,852 B1 * 1/2010 Rinner B25B 13/463
81/62
D622,124 S * 8/2010 Kegg D8/83
D717,626 S * 11/2014 Dickrede D8/70
D736,053 S * 8/2015 Zhang D8/86
D861,453 S * 10/2019 Lai D8/70
2009/0199683 A1 * 8/2009 Hu B25B 13/465
81/63.1
2009/0301267 A1 * 12/2009 Gao B25B 15/04
81/63
2015/0107422 A1 * 4/2015 Li B25B 15/04
81/59.1
2016/0288301 A1 * 10/2016 Snook B25B 15/04
2017/0100821 A1 * 4/2017 Sun B25B 15/04
2019/0210199 A1 * 7/2019 Hu B25B 15/04

* cited by examiner
Primary Examiner — Philip S Hyder
(74) *Attorney, Agent, or Firm* — Alston & Bird LLP

(57) **CLAIM**
The ornamental design for a ratchet bit driver, as shown and described.

DESCRIPTION
FIG. 1 is a perspective view of a ratchet driver bit according to my new design;
FIG. 2 is a left side elevation view thereof;
FIG. 3 is a right side elevation view thereof;
FIG. 4 is a top elevation view thereof;
FIG. 5 is a bottom plan view thereof;
FIG. 6 is a front elevation view thereof; and,
FIG. 7 is a rear elevation view thereof.
The dash-dash broken lines showing in the views illustrate unclaimed portions of the ratchet driver bit and form no part of the claimed design. The dash-dot-dash lines showing in the views illustrate boundaries of the claimed portions of the ratchet driver bit and form no part of the claimed design.

1 Claim, 4 Drawing Sheets



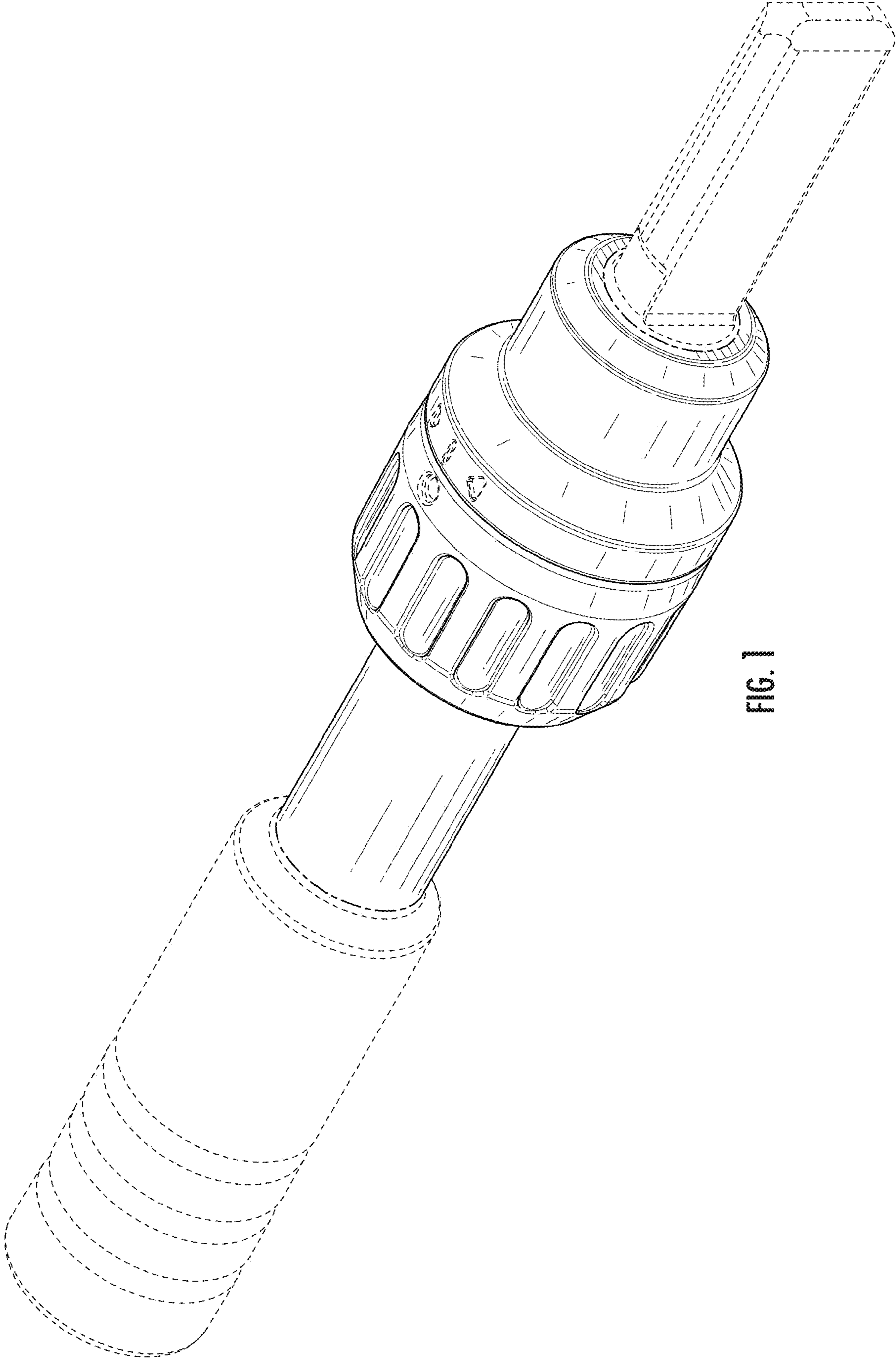


FIG. 1

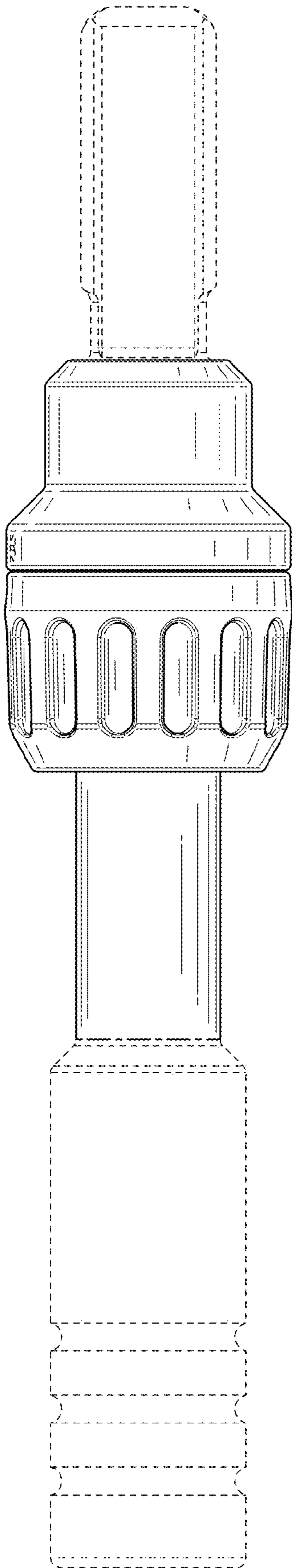


FIG. 2

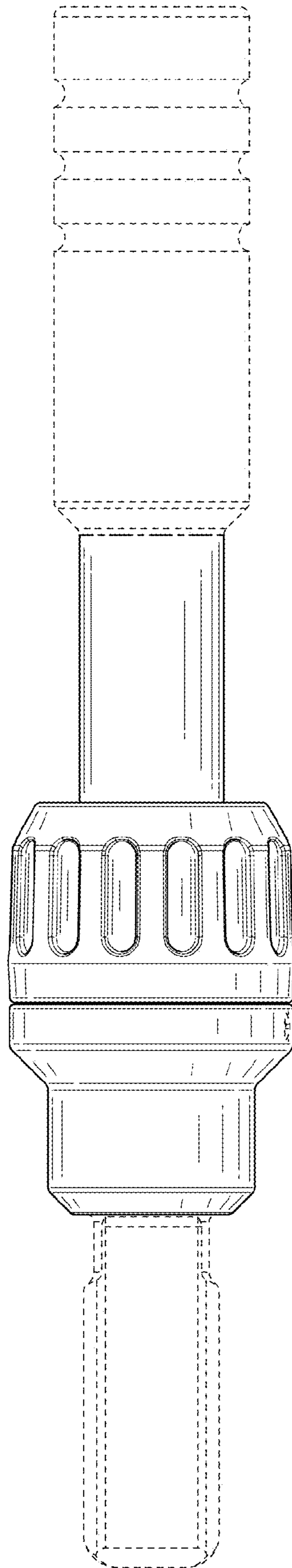


FIG. 3

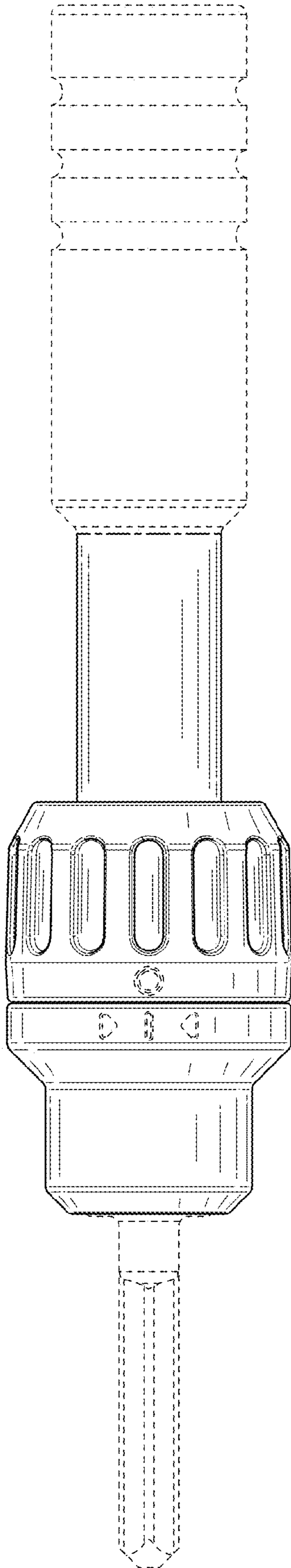


FIG. 4

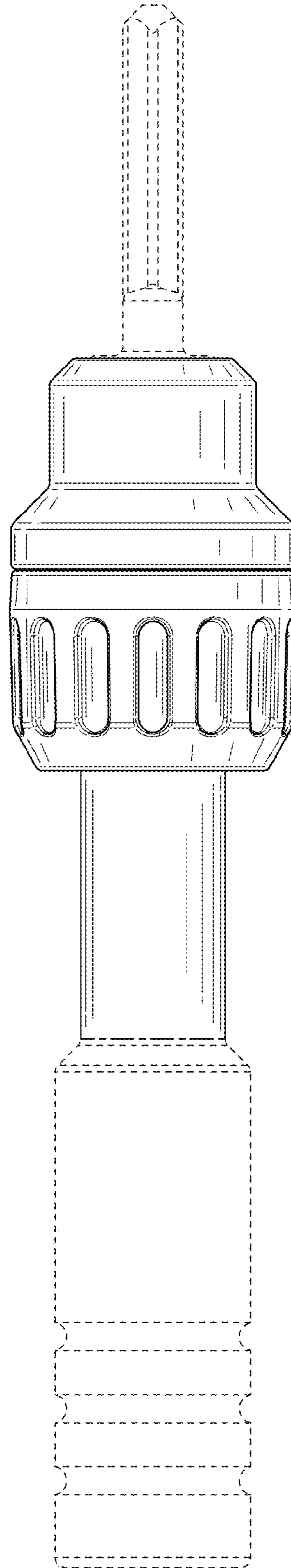


FIG. 5

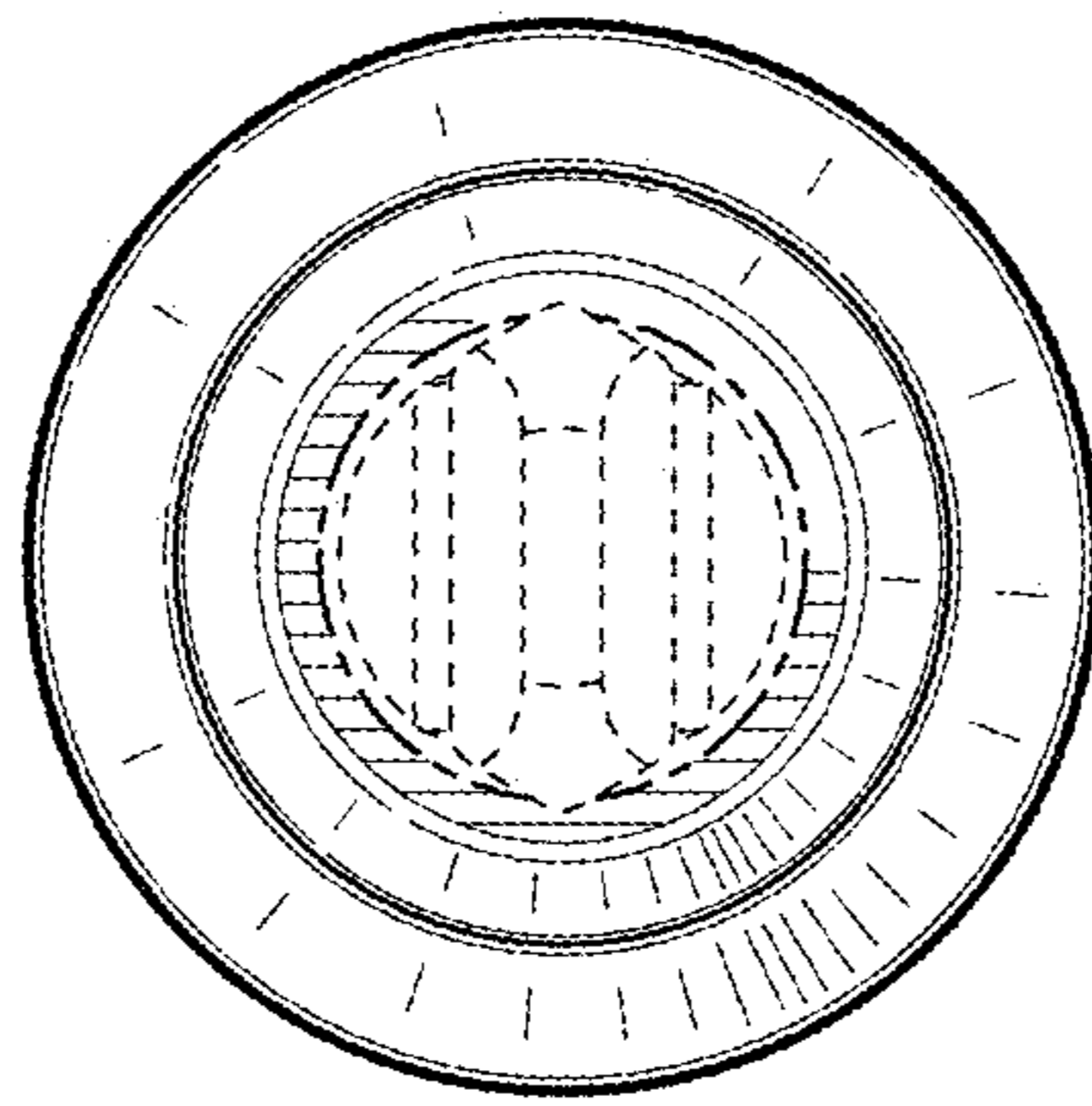


FIG. 6

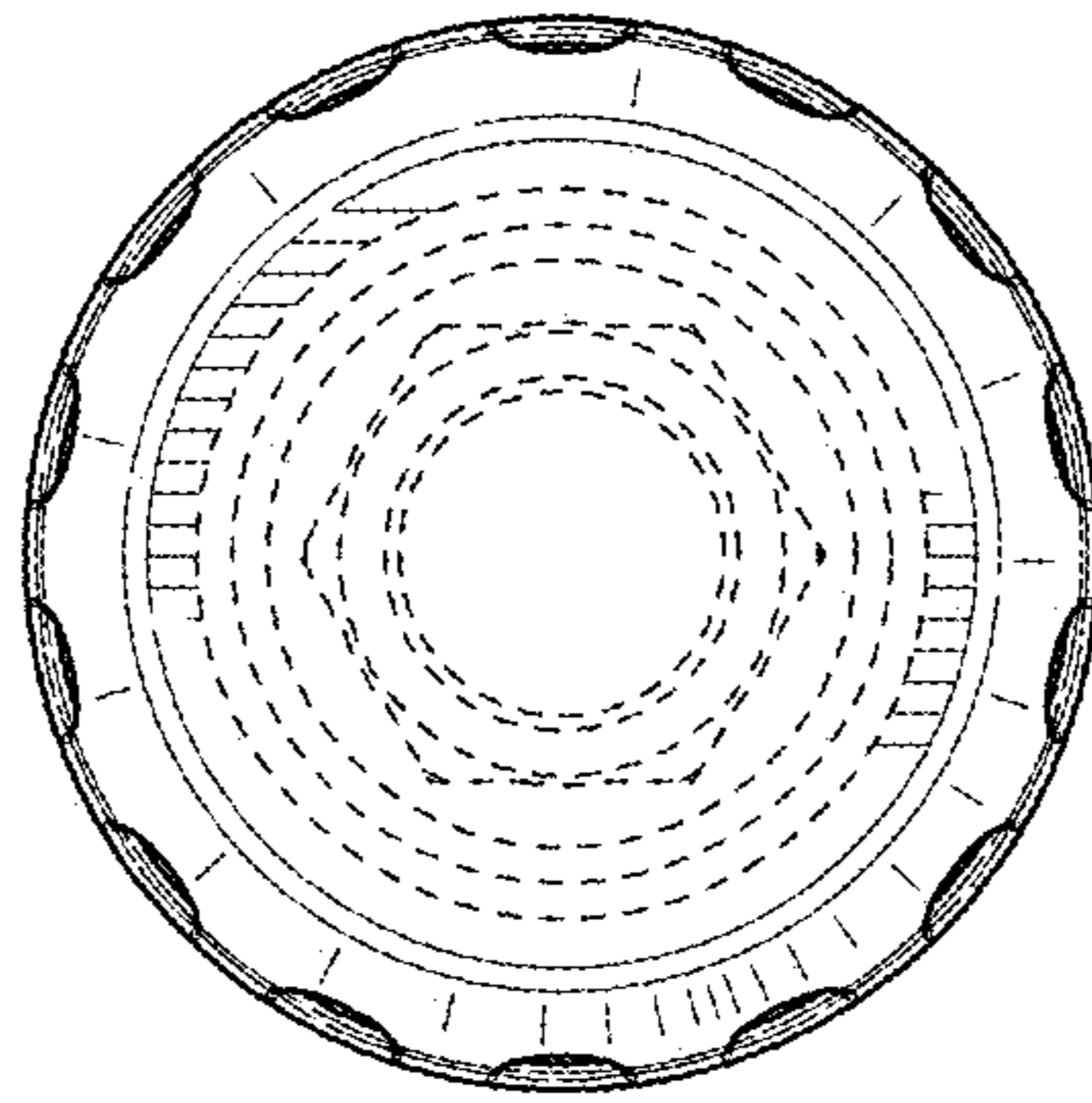


FIG. 7