



US00D920753S

(12) **United States Design Patent**
Liao

(10) **Patent No.:** **US D920,753 S**
(45) **Date of Patent:** **** Jun. 1, 2021**

- (54) **PUSH BLOCK**
- (71) Applicant: **Hui-Chuan Liao**, Oakland, CA (US)
- (72) Inventor: **Hui-Chuan Liao**, Oakland, CA (US)
- (**) Term: **15 Years**
- (21) Appl. No.: **29/725,198**
- (22) Filed: **Feb. 23, 2020**
- (51) **LOC (13) Cl.** **08-05**
- (52) **U.S. Cl.**
USPC **D8/14**
- (58) **Field of Classification Search**
USPC D8/14, 45, 90, 107
CPC .. B27B 25/10; Y10T 83/6638; Y10T 83/6499
See application file for complete search history.

D561,791 S *	2/2008	Kozina	D15/142
7,540,224 B2 *	6/2009	Wang	B27B 25/10
				83/436.2
7,886,641 B2 *	2/2011	Wirth, Jr.	B27B 25/10
				83/13
D665,638 S *	8/2012	Krohmer	D8/14
D666,684 S *	9/2012	Meininger	D21/662
9,199,390 B2 *	12/2015	Wang	B27B 25/10
D746,596 S *	1/2016	Zemel	D4/129
D804,921 S *	12/2017	Neubauer	D8/14
10,384,366 B2 *	8/2019	Cooley	B27B 27/08
D909,837 S *	2/2021	Patel	D8/14
D914,474 S *	3/2021	Hall	D8/14
2005/0092152 A1 *	5/2005	Wirth, Jr.	B27B 25/10
				83/436.2
2006/0123961 A1 *	6/2006	Fontaine	B27B 25/10
				83/436.2
2014/0260864 A1 *	9/2014	Wang	B27B 25/10
				83/436.2

* cited by examiner

Primary Examiner — Philip S Hyder
(74) *Attorney, Agent, or Firm* — Pai Patent & Trademark Law Firm; Chao-Chang David Pai

(56) **References Cited**
U.S. PATENT DOCUMENTS

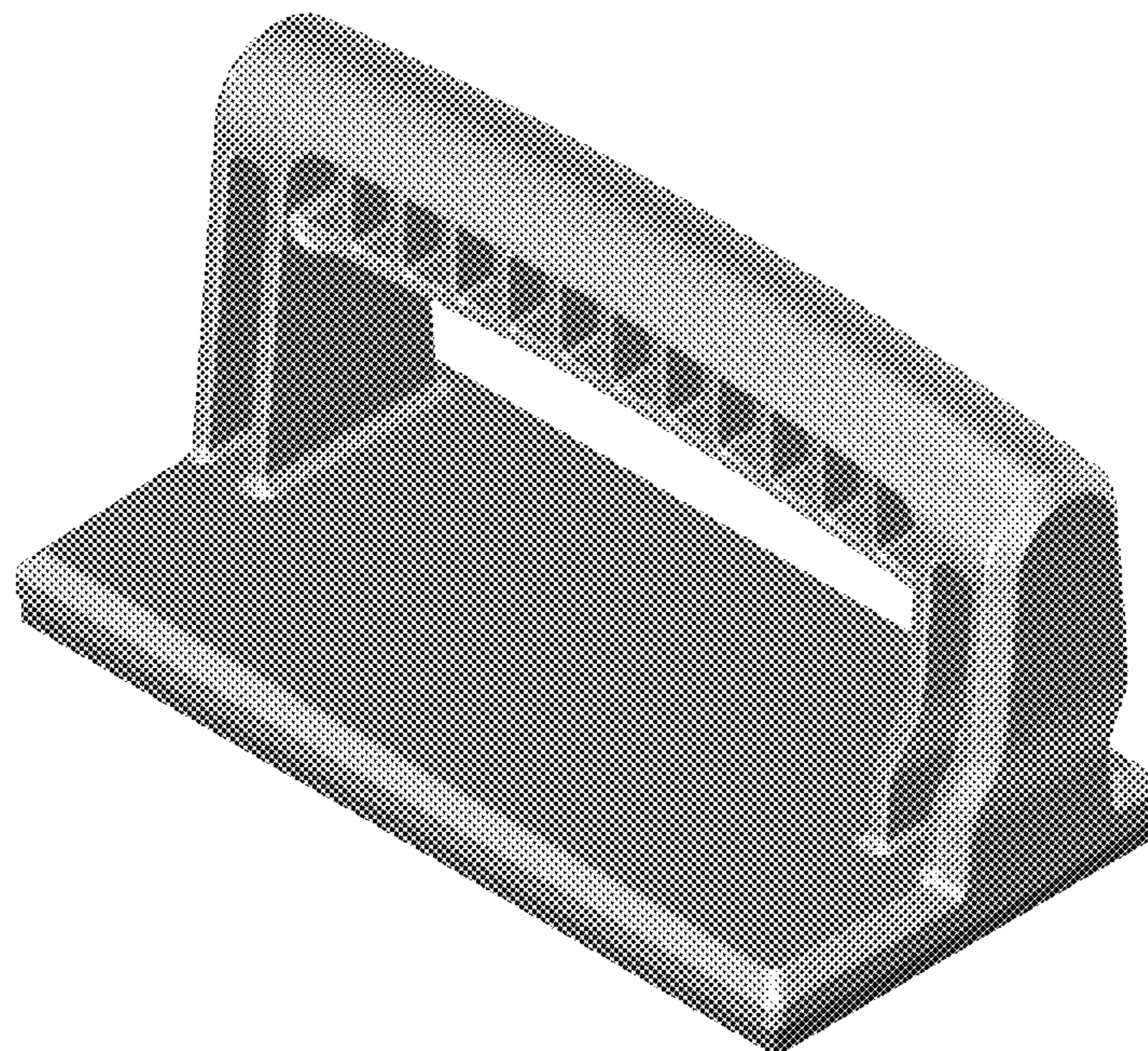
4,348,925 A *	9/1982	Manweiler	B27B 25/10
				144/251.1
4,485,711 A *	12/1984	Schnell	B27B 25/10
				83/425
D278,022 S *	3/1985	Ash	D7/649
D278,790 S *	5/1985	Chaney	D8/14
5,016,509 A *	5/1991	Stottman	B27B 25/10
				294/15
5,678,457 A *	10/1997	Hals	B62K 21/14
				74/551.3
5,692,425 A *	12/1997	Sterling	B27B 25/10
				83/425
6,044,740 A *	4/2000	Werkheiser	B27B 25/10
				144/245.1
6,135,521 A *	10/2000	Wirth, Jr.	B27B 25/10
				294/15
D449,209 S *	10/2001	Aigner	D8/14
7,146,890 B1 *	12/2006	Rowe	B27B 25/10
				83/13

(57) **CLAIM**
The ornamental design for a push block, as shown.

DESCRIPTION

FIG. 1 is a perspective view of a push block, showing my new design;
FIG. 2 is another perspective view thereof;
FIG. 3 is a front view thereof;
FIG. 4 is a rear view thereof;
FIG. 5 is a left side view thereof;
FIG. 6 is a right side view thereof;
FIG. 7 is a top view thereof; and,
FIG. 8 is a bottom view thereof.

1 Claim, 8 Drawing Sheets



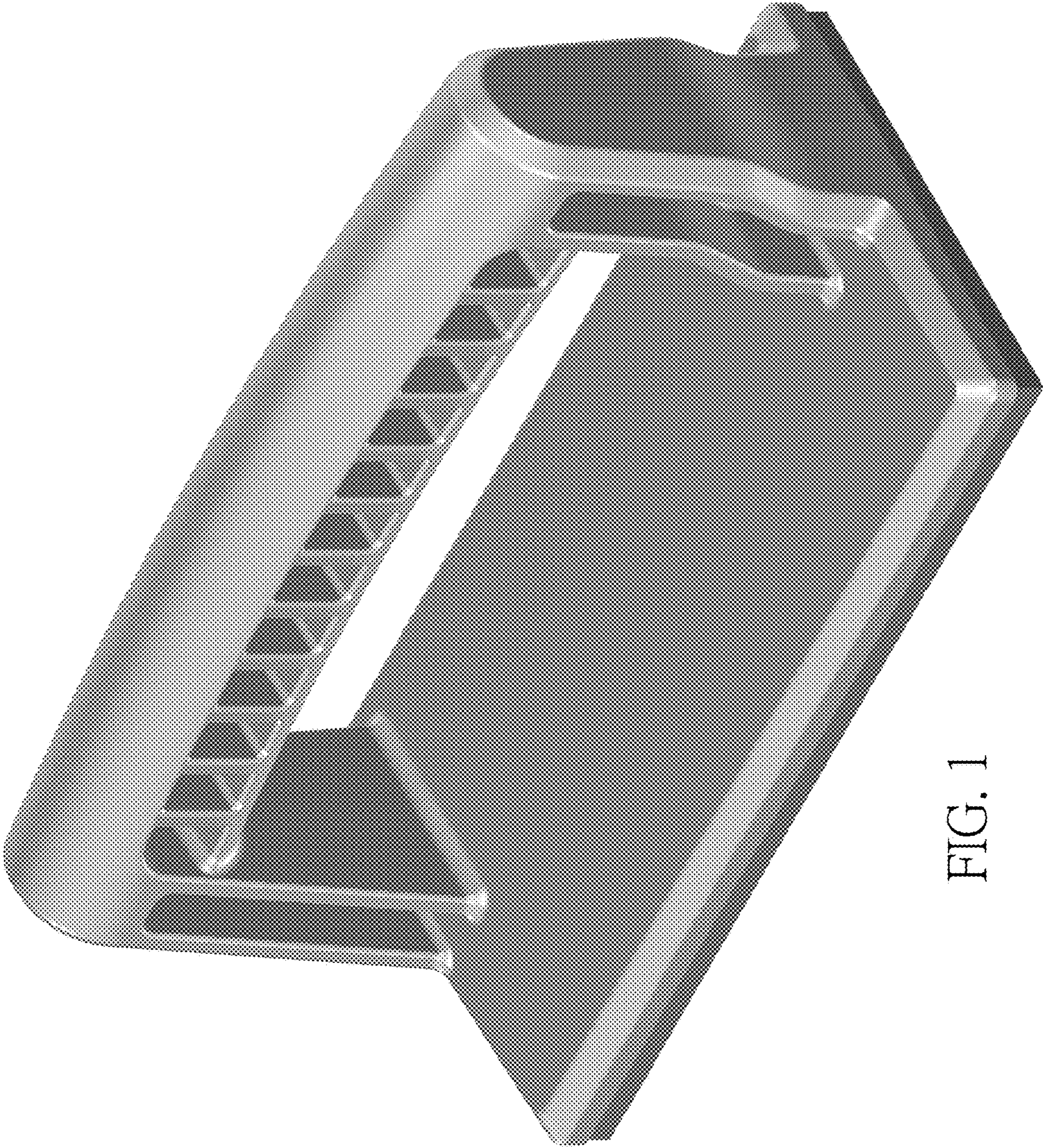


FIG. 1

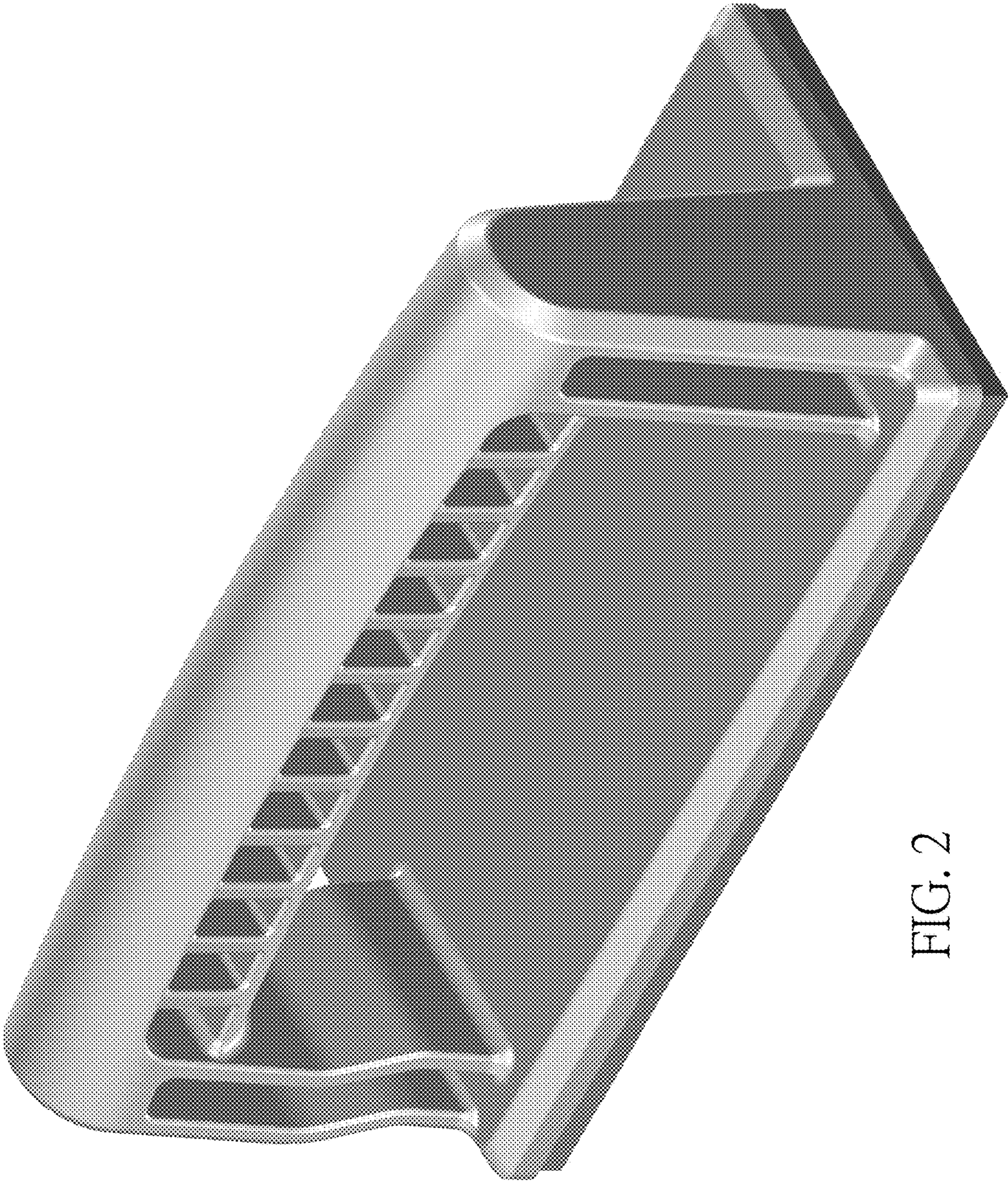


FIG. 2

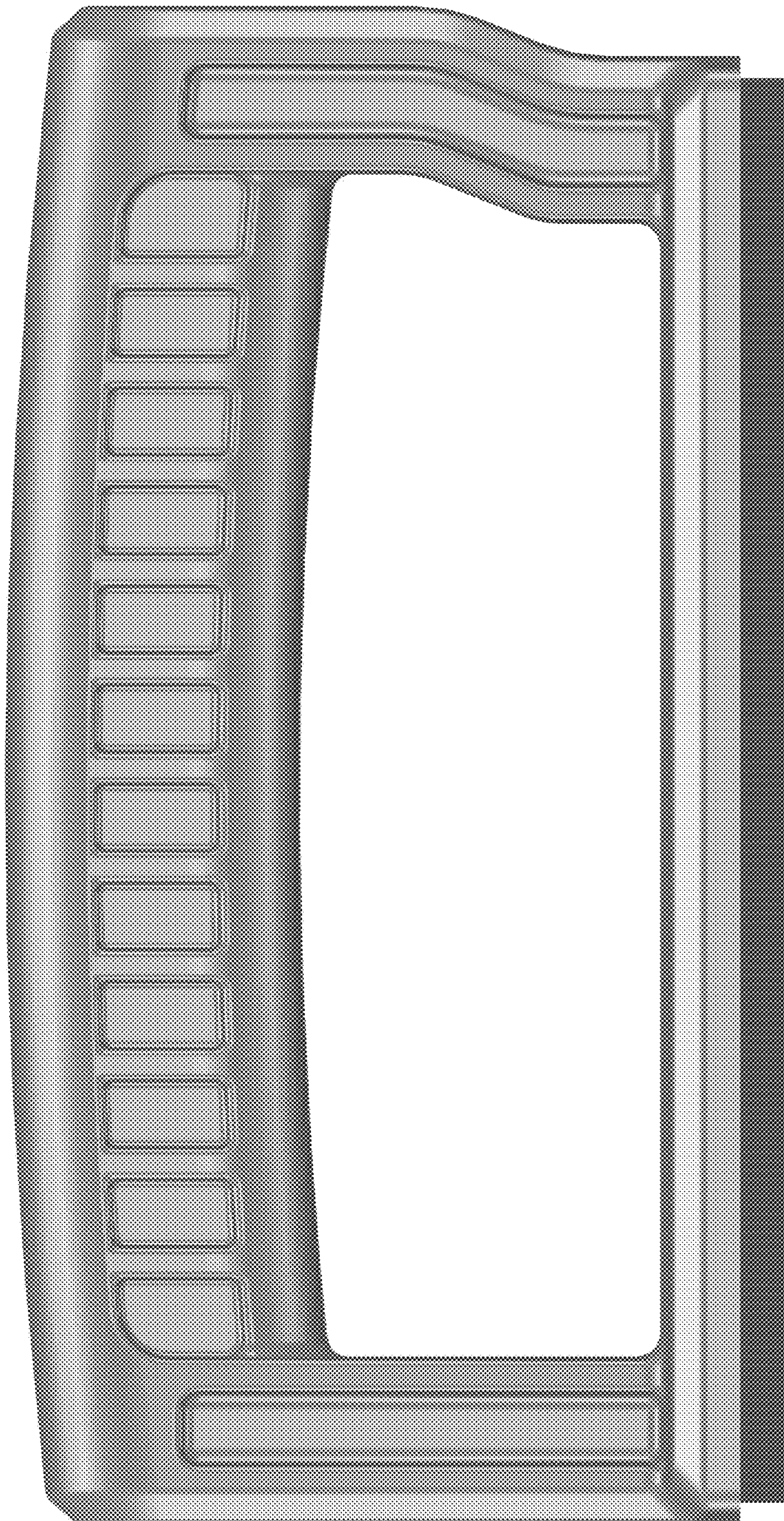


FIG. 3

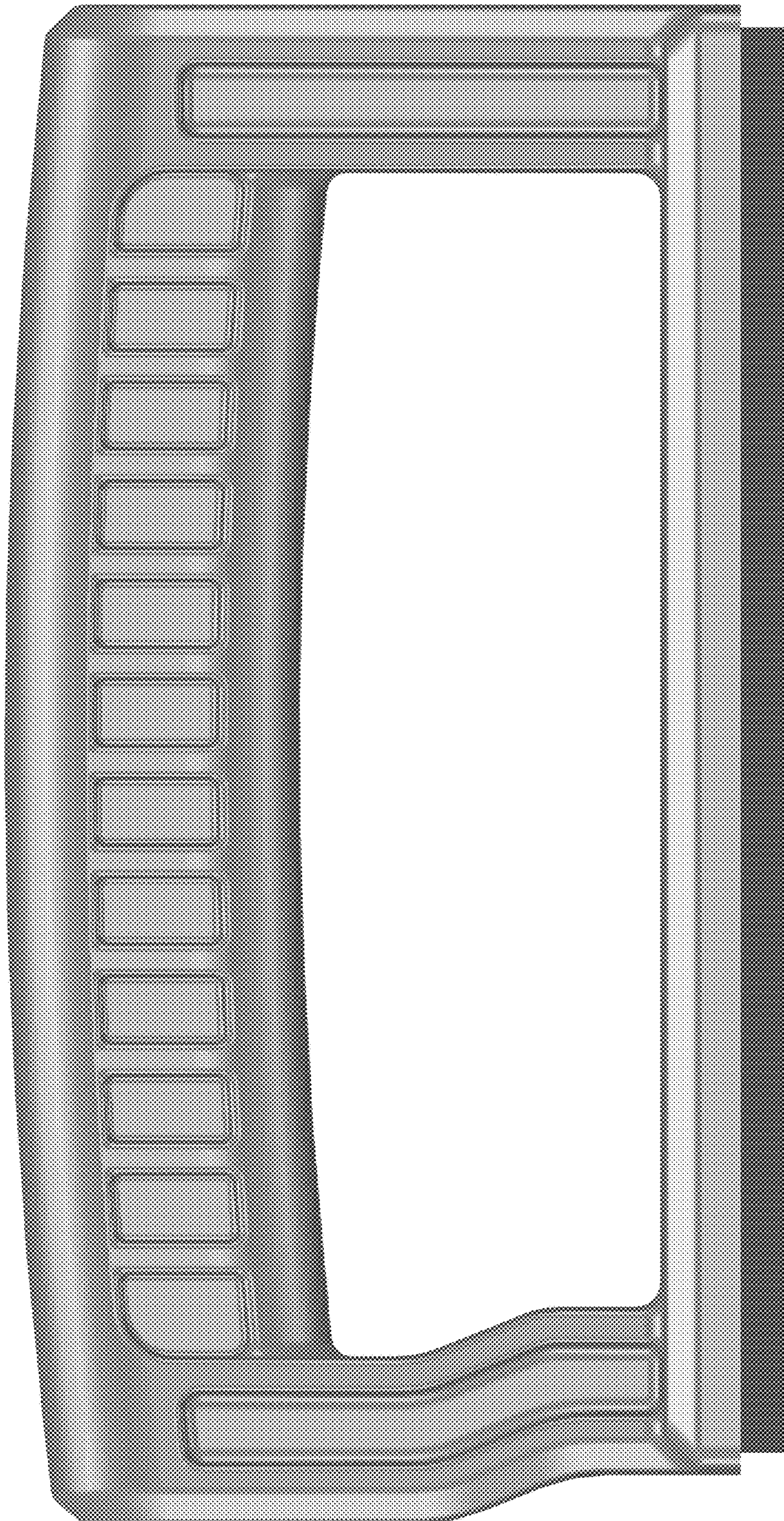


FIG. 4

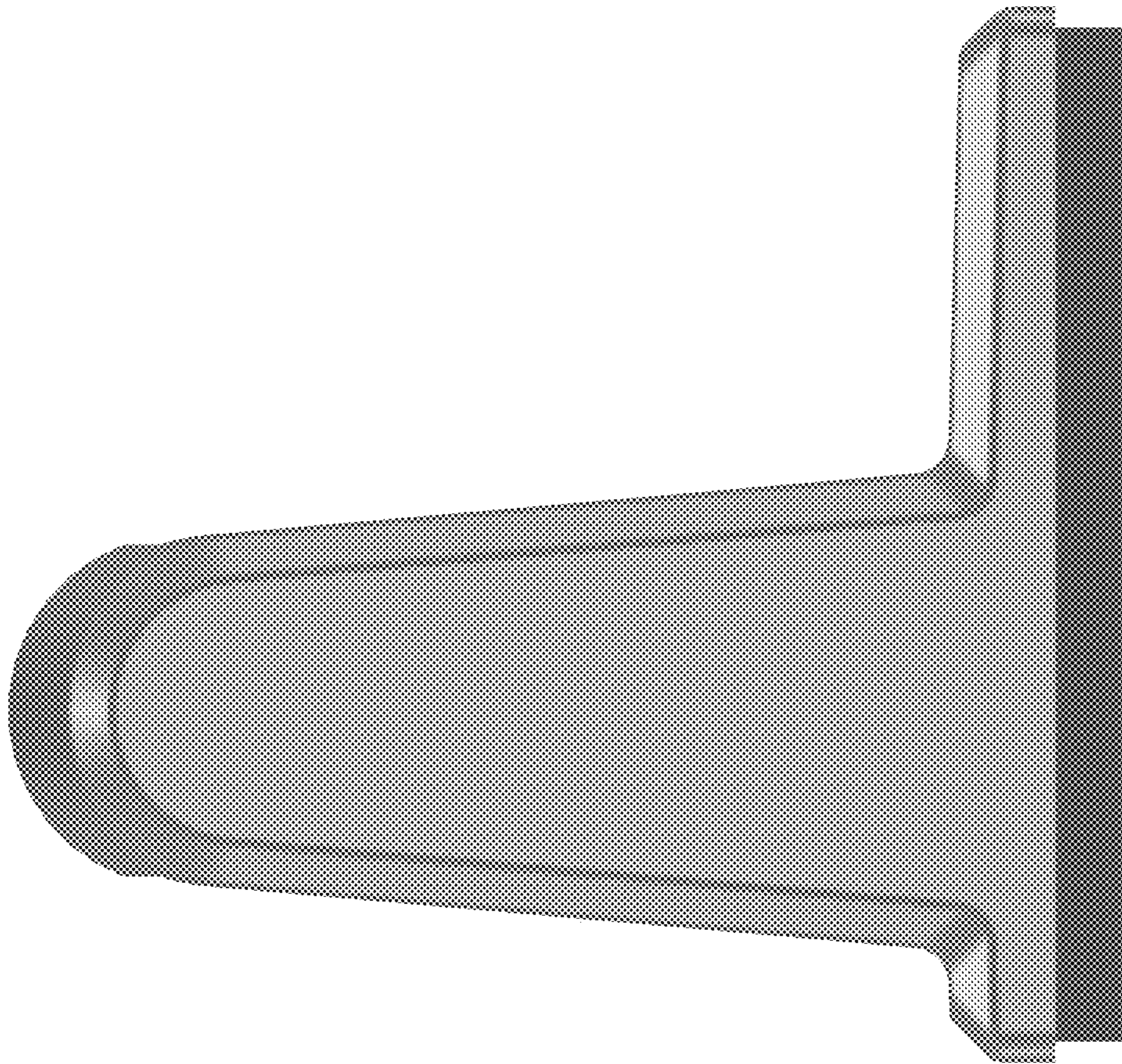


FIG. 5

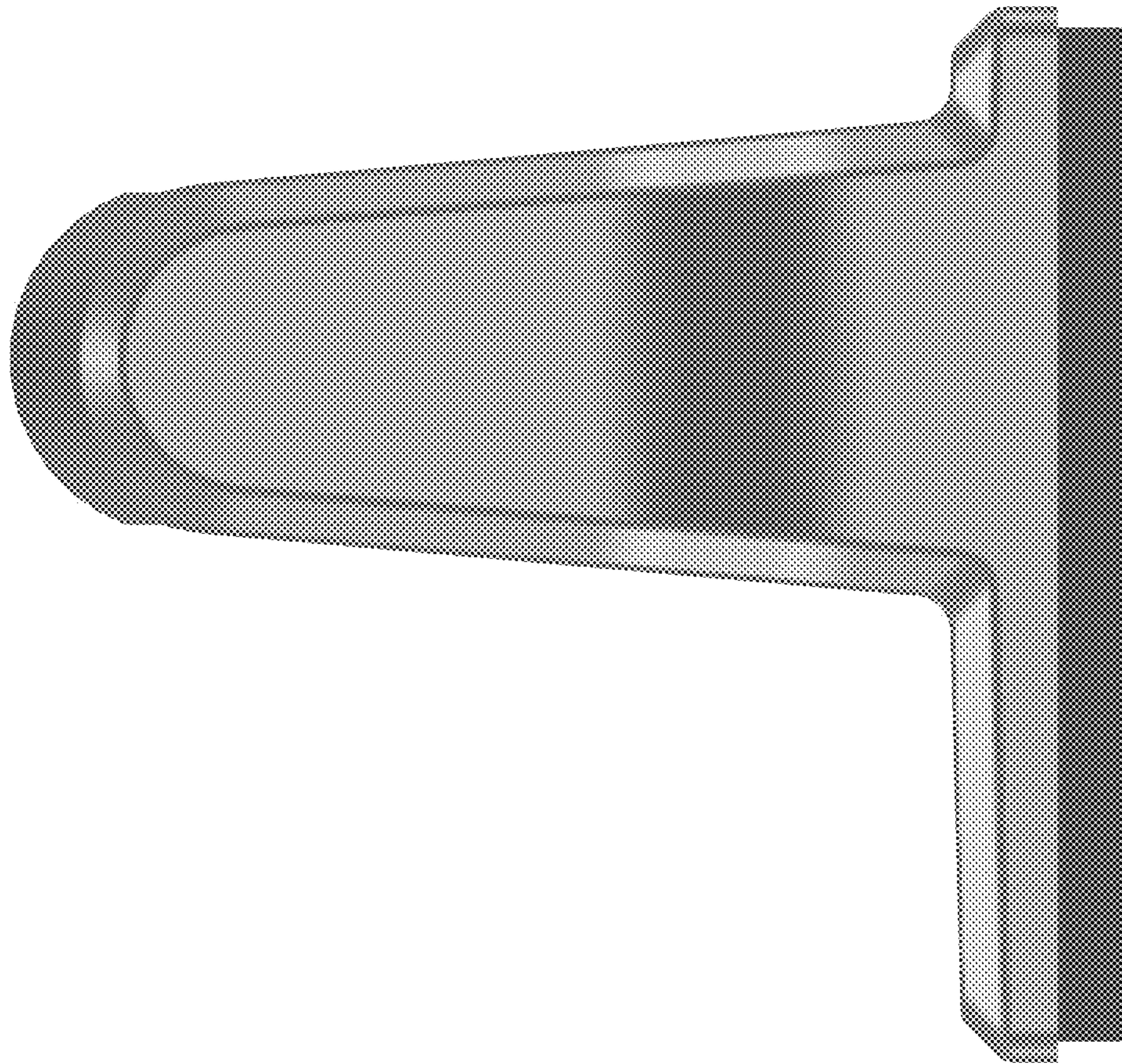


FIG. 6

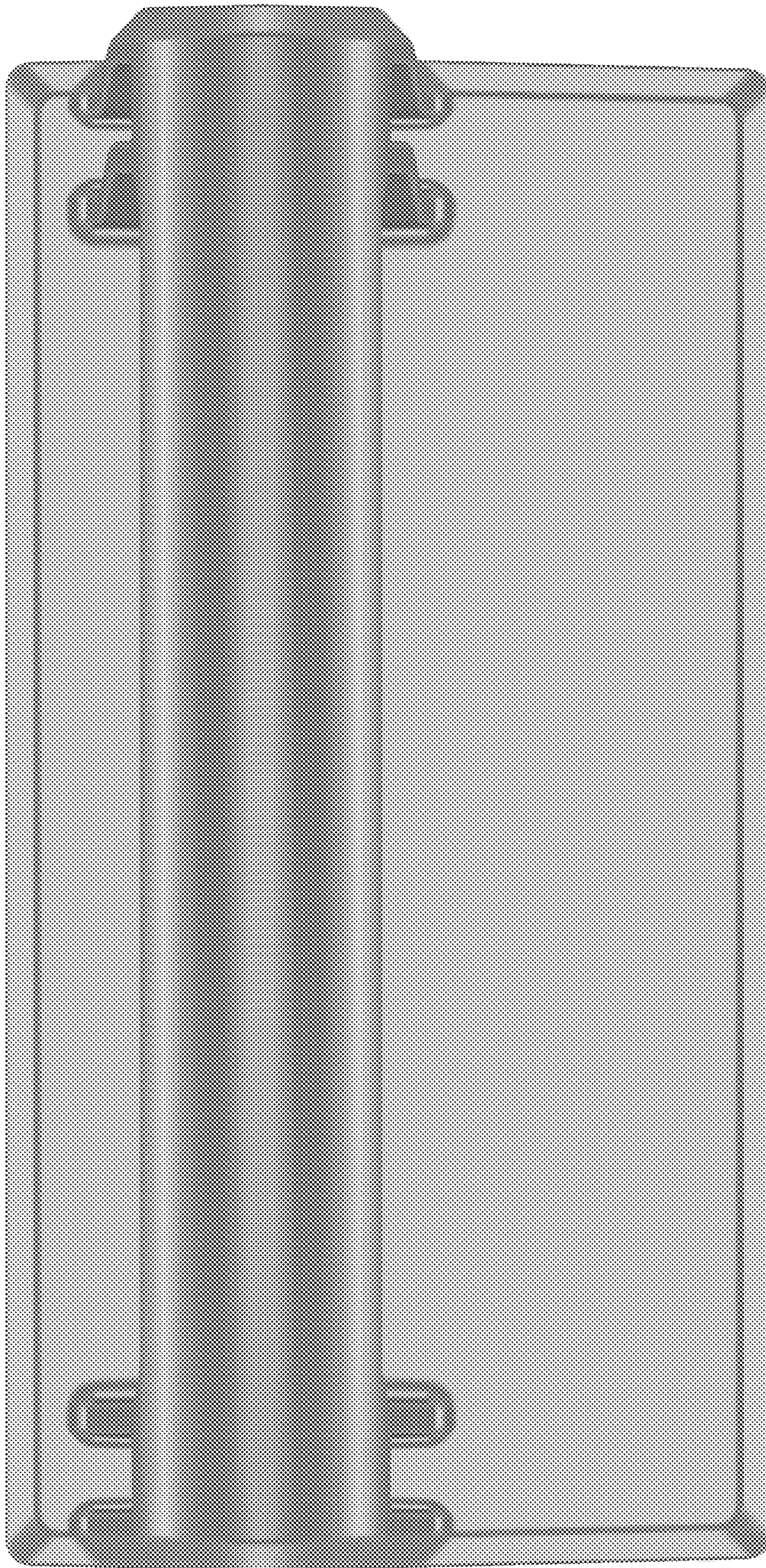


FIG. 7

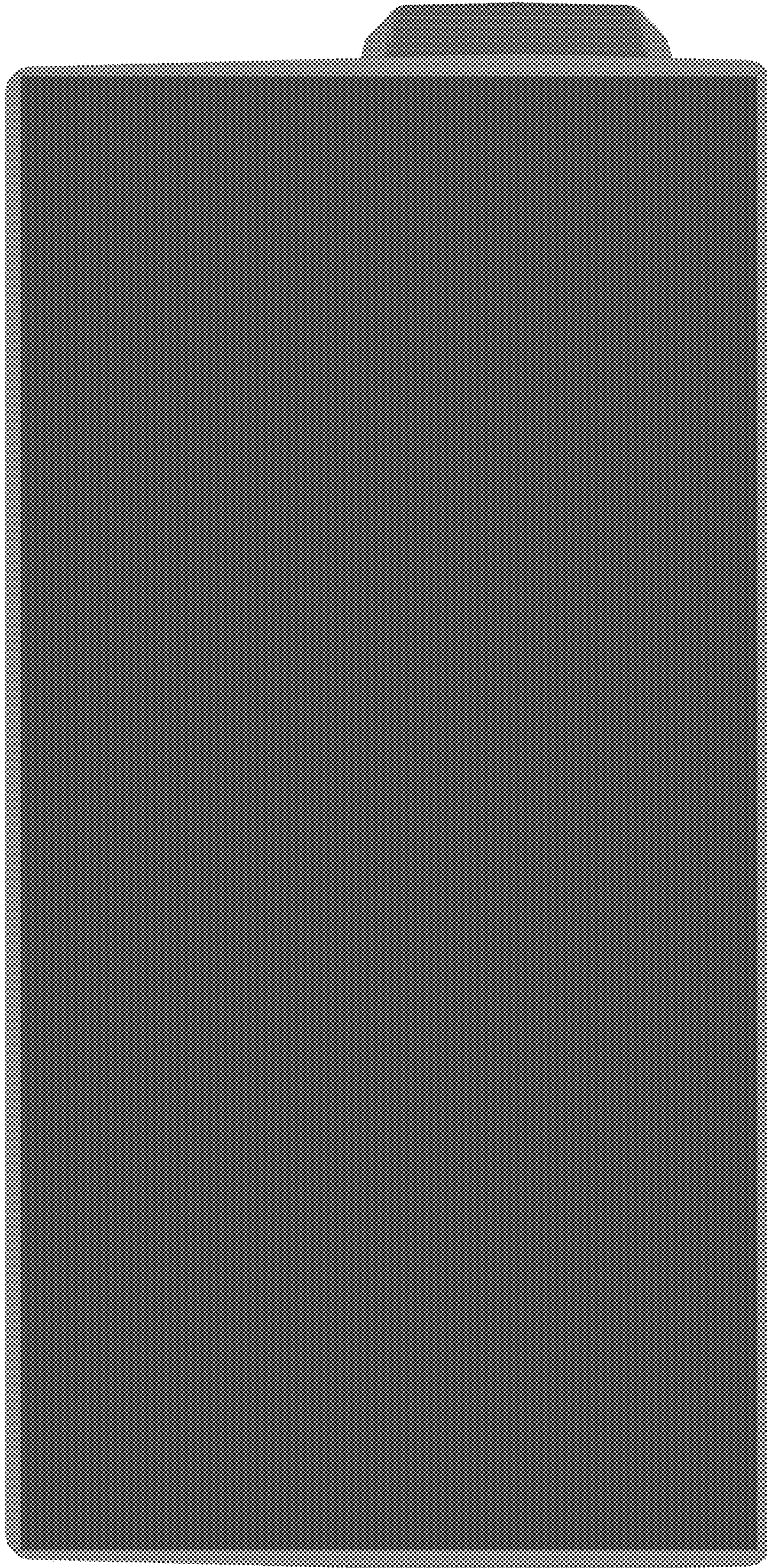


FIG. 8