



US00D920752S

(12) **United States Design Patent**
Sumina

(10) **Patent No.:** **US D920,752 S**

(45) **Date of Patent:** **** Jun. 1, 2021**

(54) **BLADE OF A SHOVEL**

(71) Applicant: **Naoyuki Sumina**, Kurashiki (JP)

(72) Inventor: **Naoyuki Sumina**, Kurashiki (JP)

(**) Term: **15 Years**

(21) Appl. No.: **35/508,328**

(22) Filed: **Jul. 10, 2019**

(80) **Hague Agreement Data**

Int. Filing Date: **Jul. 10, 2019**

Int. Reg. No.: **DM/204108**

Int. Reg. Date: **Jul. 10, 2019**

Int. Reg. Pub. Date: **Jan. 10, 2020**

(51) **LOC (13) Cl.** **08-01**

(52) **U.S. Cl.**
USPC **D8/10**

(58) **Field of Classification Search**
USPC D8/1, 10, 107
CPC .. A01B 1/00; A01B 1/02; A01B 1/026; A01B
1/028; A01B 1/04
See application file for complete search history.

(56) **References Cited**

U.S. PATENT DOCUMENTS

D250,083 S *	10/1978	Insalaco	D8/10
D269,403 S *	6/1983	Miyata	D8/10
D272,799 S *	2/1984	Pluss	D8/10
6,170,893 B1 *	1/2001	Parker	A01B 1/02 294/49
D442,445 S *	5/2001	Morgan	D8/10
D500,432 S *	1/2005	Villani	D8/10
7,070,006 B2 *	7/2006	Villani	A01B 1/02 172/371
D570,653 S *	6/2008	Baker	D8/10
D648,994 S *	11/2011	Randolph	D8/10

D665,637 S *	8/2012	Baker	D8/10
8,387,188 B2 *	3/2013	Murphy	B25F 1/006 7/116
8,388,031 B1 *	3/2013	Zang	A01B 1/04 294/49
D710,664 S *	8/2014	Licciardello, Jr.	D8/10

* cited by examiner

Primary Examiner — Darlington Ly

(74) *Attorney, Agent, or Firm* — Renner, Otto, Boisselle & Sklar, LLP

(57) **CLAIM**

The ornamental design for a blade of a shovel, as shown and described.

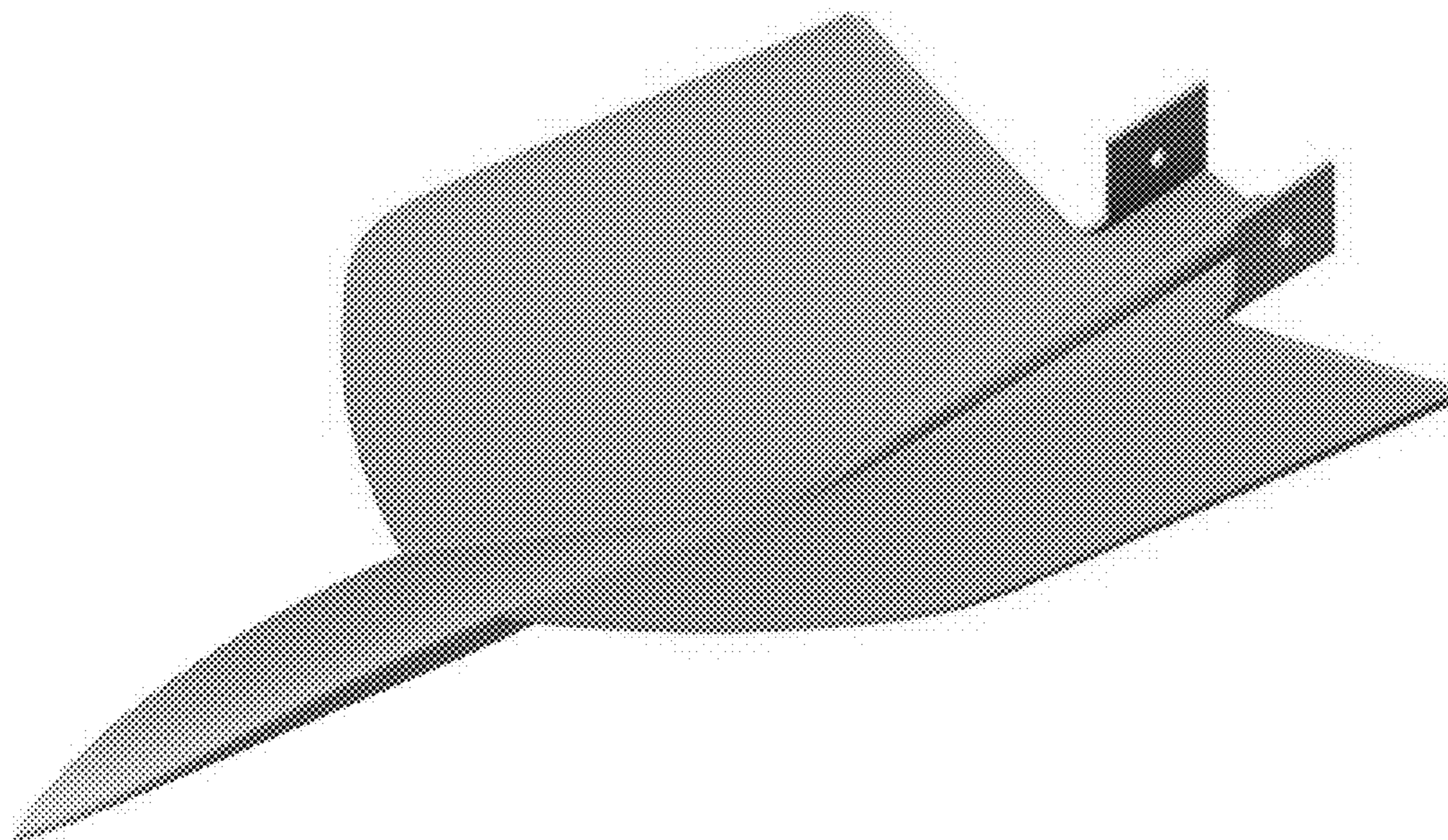
DESCRIPTION

The patent or application file contains at least one drawing executed in color. Copies of this patent or patent application publication with color drawing(s) will be provided by the Office upon request and payment of the necessary fee.

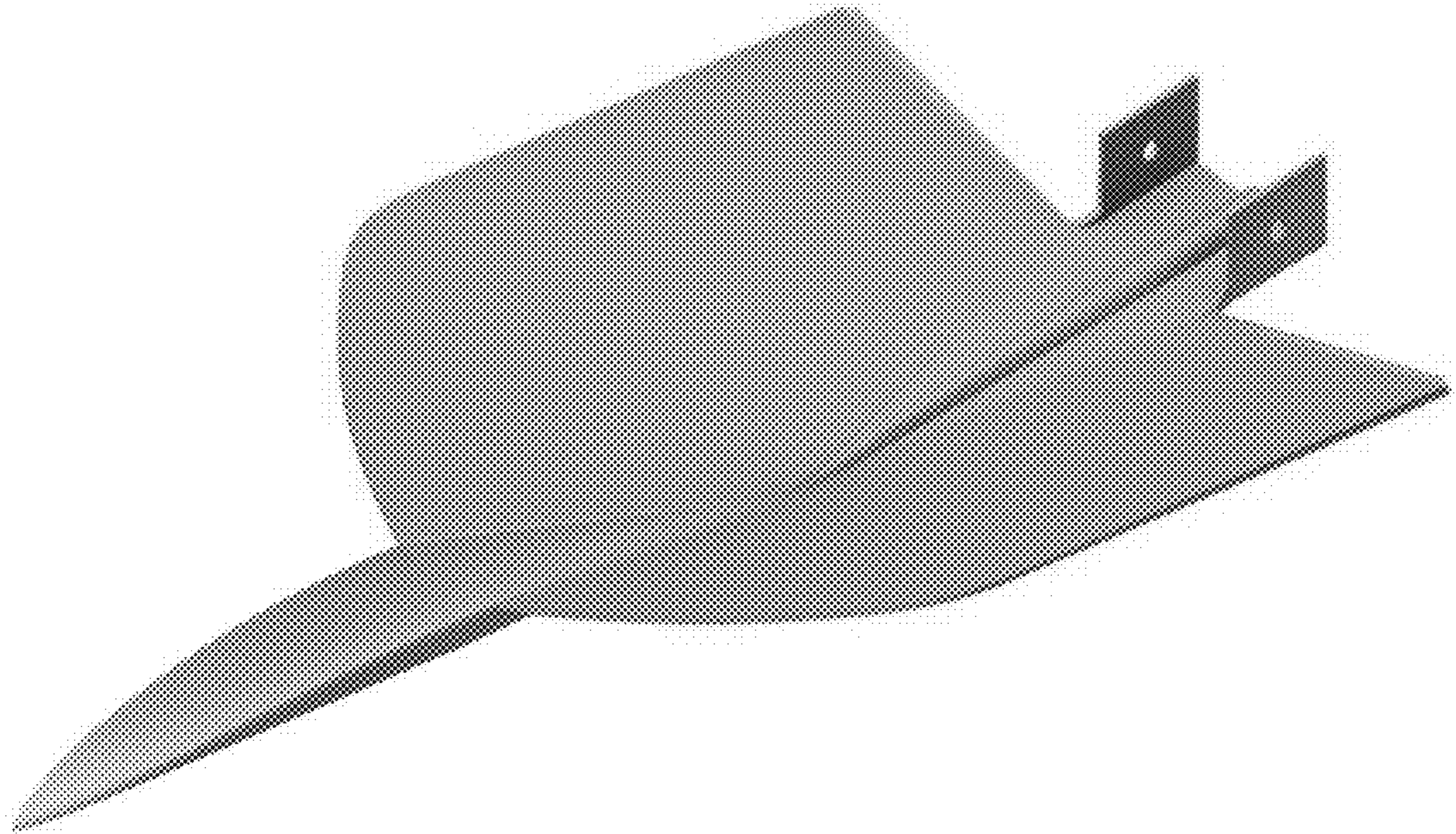
- 1.-4. Blade of a shovel
- 1.1 is a top perspective view of a blade of a shovel embodying my new design;
- 1.2 is a side elevation view thereof, to which the opposing side elevation view is a mirror image;
- 1.3 is a rear elevation view thereof;
- 1.4 is a front elevation view thereof;
- 1.5 is a top plan view thereof; and
- 1.6 is a bottom plan view thereof.

The design is embodied in an article that is a blade of a shovel. The design comprises of a long cutting edge at the tip for the purpose and ease of digging. The blade may function and serve as both a pickaxe and shovel. The colors shown do not form part of the claimed design.

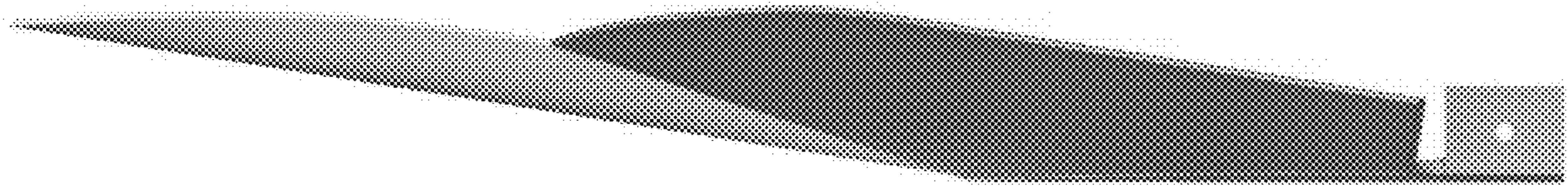
1 Claim, 6 Drawing Sheets
(6 of 6 Drawing Sheet(s) Filed in Color)



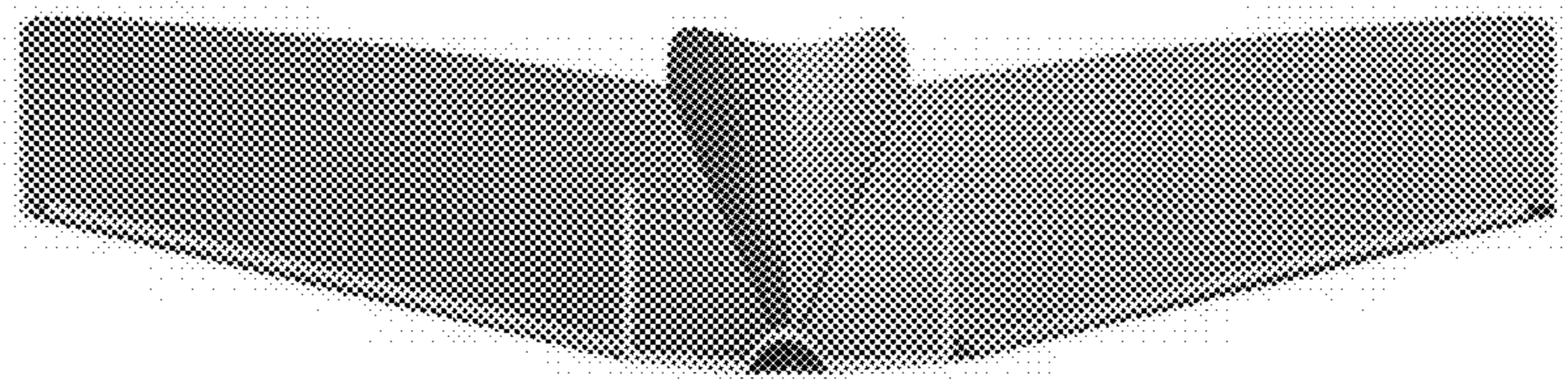
1.1



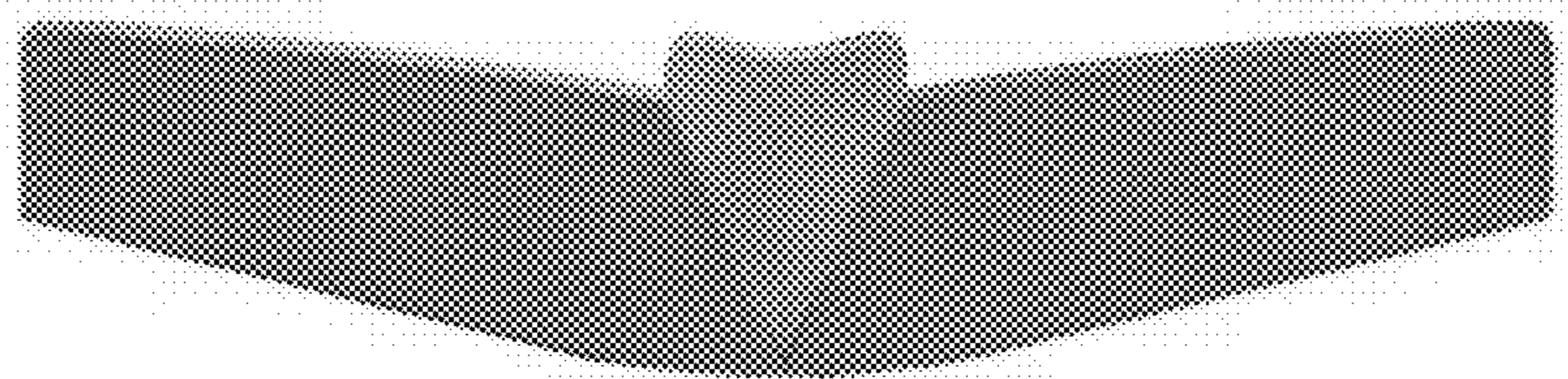
1.2



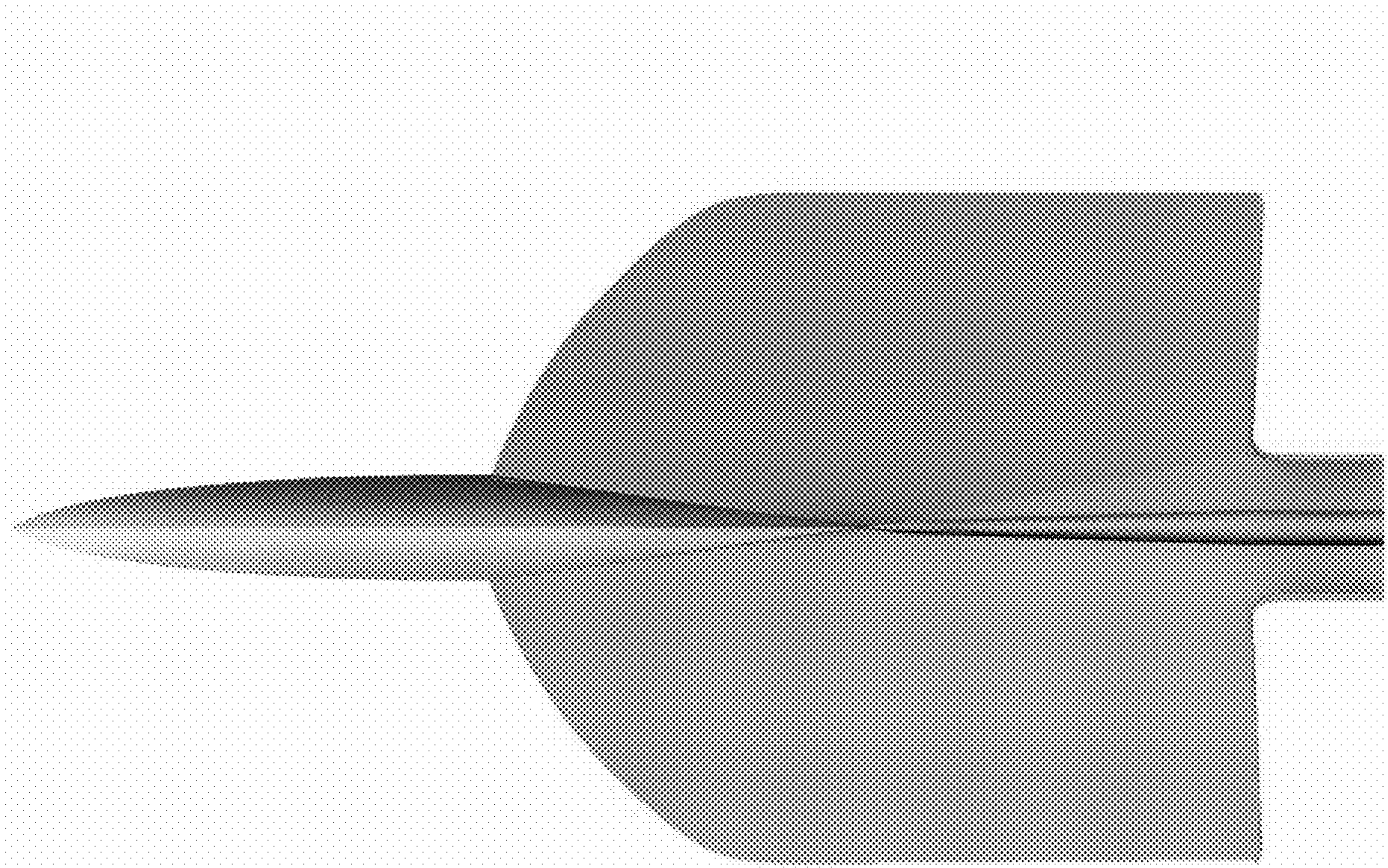
1.3



1.4



1.5



1.6

