



US00D920751S

(12) **United States Design Patent**  
**Chang**

(10) **Patent No.:** **US D920,751 S**  
(45) **Date of Patent:** **\*\* Jun. 1, 2021**

(54) **GARDEN TRIMMER EDGER ATTACHMENT**

(71) Applicant: **Michael Ting-Kao Chang**, Huntsville,  
AL (US)

(72) Inventor: **Michael Ting-Kao Chang**, Huntsville,  
AL (US)

(\*\*) Term: **15 Years**

(21) Appl. No.: **29/770,360**

(22) Filed: **Feb. 11, 2021**

**Related U.S. Application Data**

(63) Continuation of application No. 16/913,021, filed on  
Jun. 26, 2020.

(51) **LOC (13) Cl.** ..... **08-01**

(52) **U.S. Cl.**  
USPC ..... **D8/8; D15/17; D15/29**

(58) **Field of Classification Search**  
USPC ..... **D15/11, 17, 29, 32; D8/1-13**  
CPC ..... **A01D 34/733; A01D 34/005; A01D**  
**34/4166; A01D 34/84; A01D 34/74;**  
**A01D 34/90; A01D 34/736**  
See application file for complete search history.

(56) **References Cited**

**U.S. PATENT DOCUMENTS**

- 1,893,258 A \* 1/1933 Washburn ..... A01B 1/243  
172/21
- 3,554,293 A \* 1/1971 Aman ..... E21B 11/005  
172/13
- 3,589,112 A \* 6/1971 Frohmader ..... A01D 34/82  
56/17.5
- D260,397 S \* 8/1981 Bartlett ..... D15/11
- 4,513,563 A \* 4/1985 Roser ..... A01D 34/4168  
464/32
- 4,862,682 A \* 9/1989 Wait ..... A01D 34/84  
56/255

- 4,905,465 A \* 3/1990 Jones ..... A01D 34/4168  
30/276
  - 4,936,884 A \* 6/1990 Campbell ..... A01D 34/4168  
30/276
  - 5,056,605 A \* 10/1991 Bond ..... A01B 33/00  
172/111
  - 5,479,763 A \* 1/1996 Coble ..... A01D 34/416  
56/12.7
  - 5,493,783 A \* 2/1996 Oostendorp ..... A01D 34/84  
30/276
  - 5,493,785 A \* 2/1996 Lawrence ..... A01D 34/4166  
30/276
  - 5,934,055 A \* 8/1999 Steele ..... A01D 42/04  
56/16.7
  - 6,032,442 A \* 3/2000 Paolo ..... A01D 34/416  
172/13
  - D426,435 S \* 6/2000 Frakes ..... D8/8
  - 6,158,129 A \* 12/2000 Klein ..... A01D 34/4166  
30/276
  - 6,840,030 B1 \* 1/2005 Monaco ..... A01D 34/005  
56/255
  - 6,842,984 B1 \* 1/2005 Grant ..... A01D 34/4168  
30/276
  - D523,448 S \* 6/2006 Jackson ..... D15/28
- (Continued)

*Primary Examiner* — Mark A Goodwin  
(74) *Attorney, Agent, or Firm* — Cynthia R. Wright

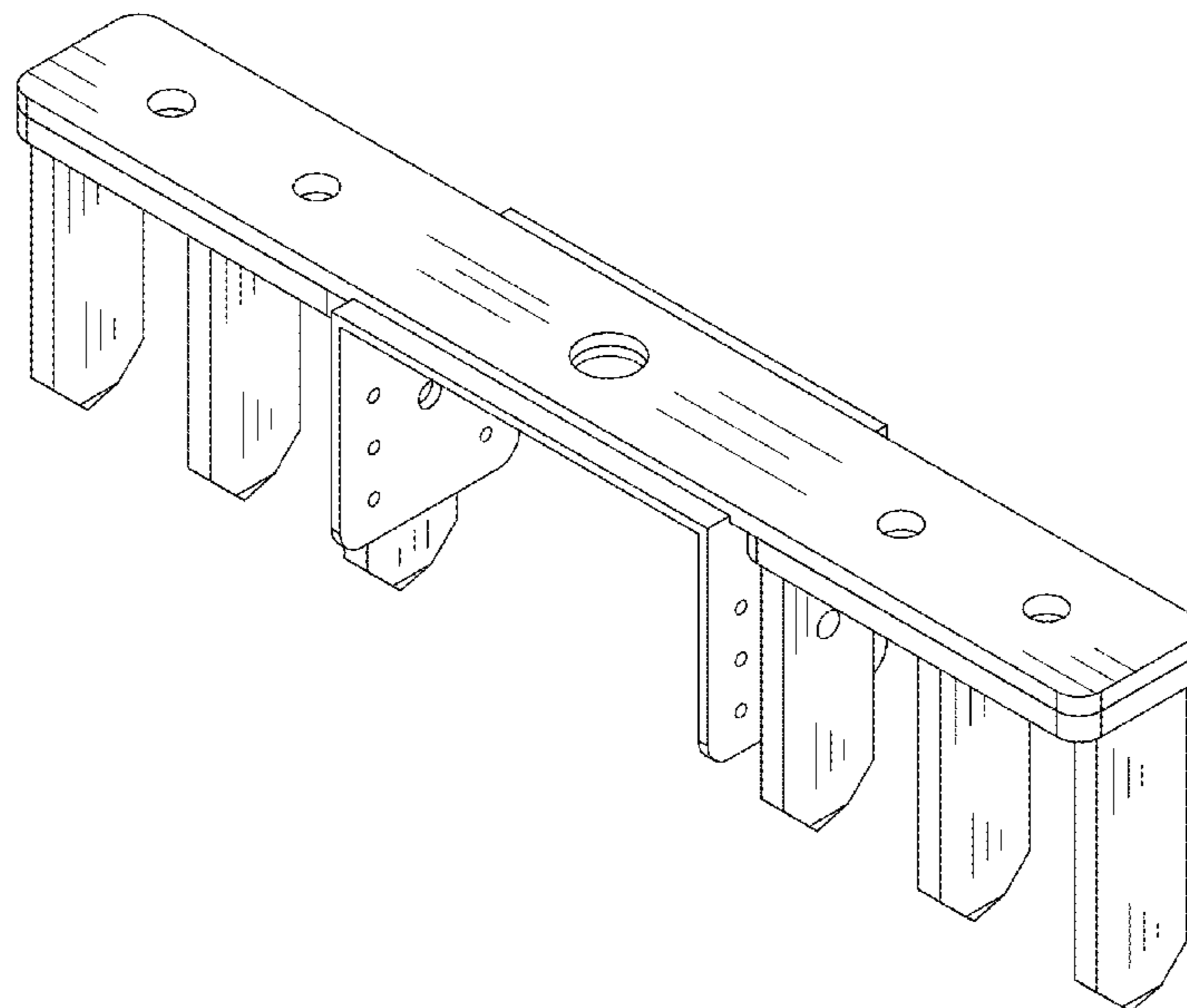
(57) **CLAIM**

The ornamental design for a garden trimmer edger attachment, as shown and described.

**DESCRIPTION**

FIG. 1 is a front, right, and top perspective view of the garden trimmer edger attachment.  
FIG. 2 is a front view thereof.  
FIG. 3 is a top view thereof.  
FIG. 4 is a bottom view thereof.  
FIG. 5 is an enlarged right side view thereof; and,  
FIG. 6 is an enlarged left side view thereof.

**1 Claim, 5 Drawing Sheets**



(56)

**References Cited**

U.S. PATENT DOCUMENTS

D679,156	S *	4/2013	Lyles	.....	D8/8
10,349,576	B1 *	7/2019	Jones	.....	A01D 34/66
10,709,062	B2 *	7/2020	Chang	.....	A01D 34/4166
2005/0284122	A1 *	12/2005	Compton	.....	A01D 34/736
					56/295
2009/0038163	A1 *	2/2009	Jerez	.....	A01D 34/68
					30/276
2010/0071332	A1 *	3/2010	Pankey	.....	A01D 34/84
					56/12.7
2012/0066912	A1 *	3/2012	Ferrell	.....	A01D 34/4166
					30/276
2015/0289446	A1 *	10/2015	Duvall	.....	A01D 34/4166
					30/276
2017/0006775	A1 *	1/2017	Wyne	.....	A01D 34/4166

\* cited by examiner

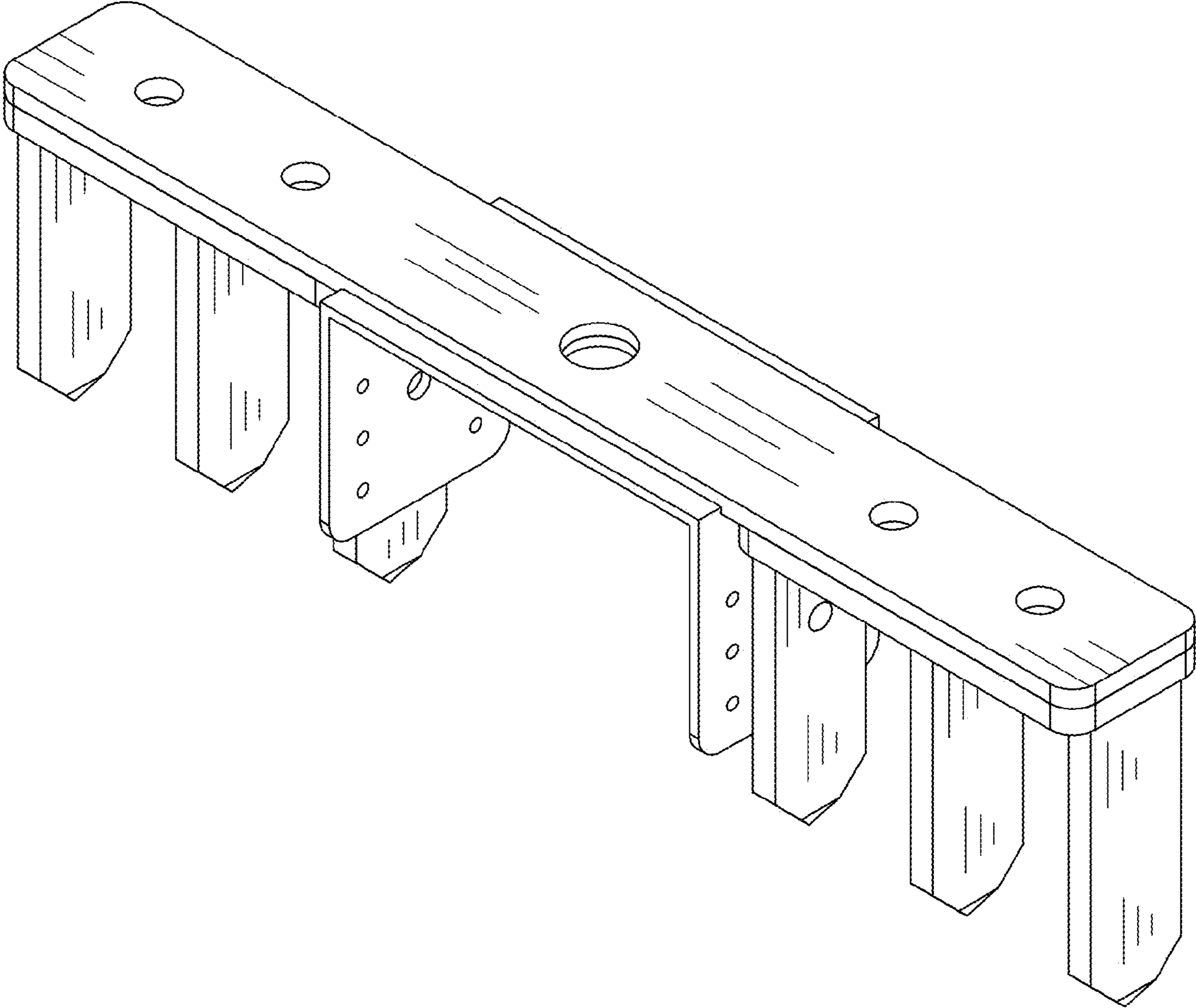


FIG. 1

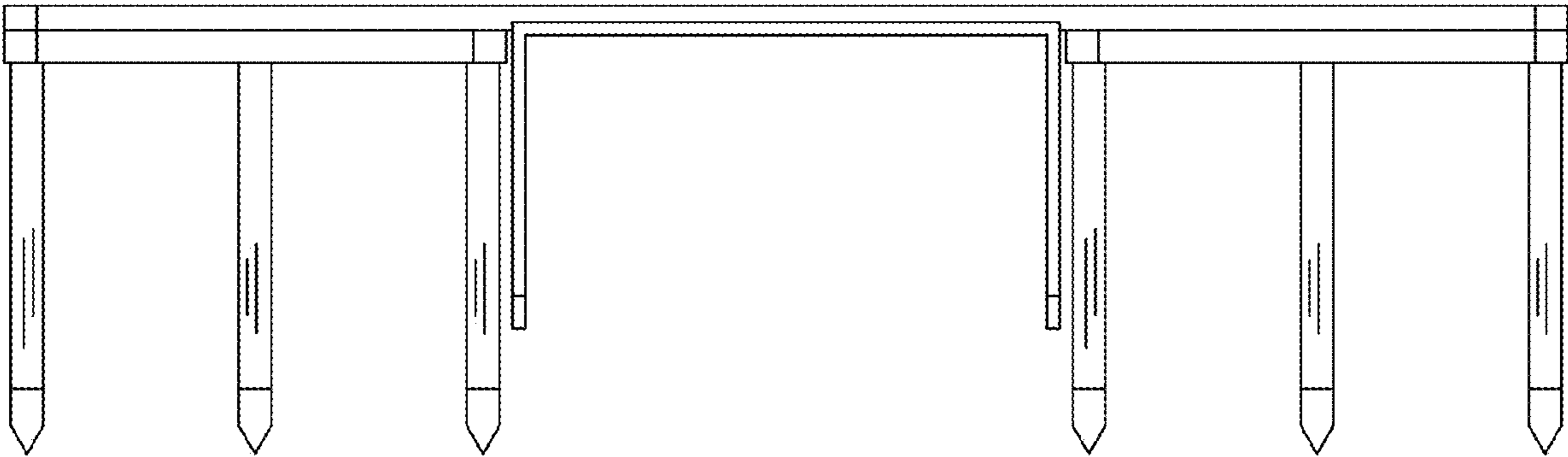


FIG. 2

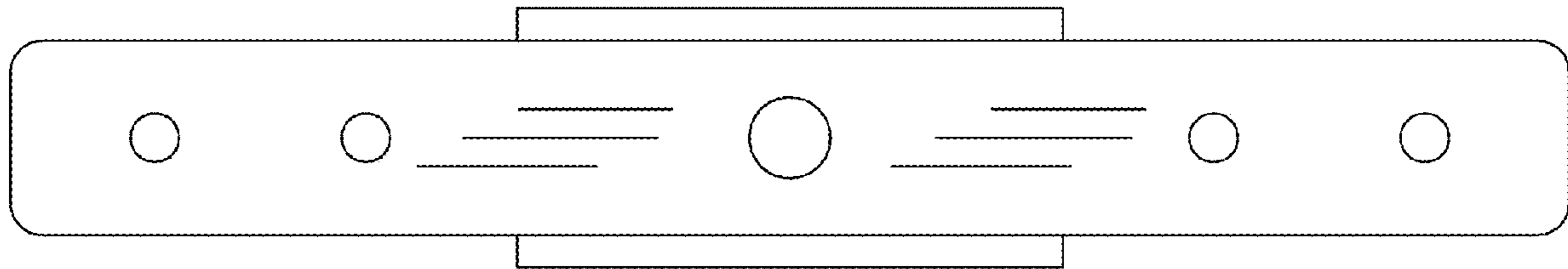


FIG. 3

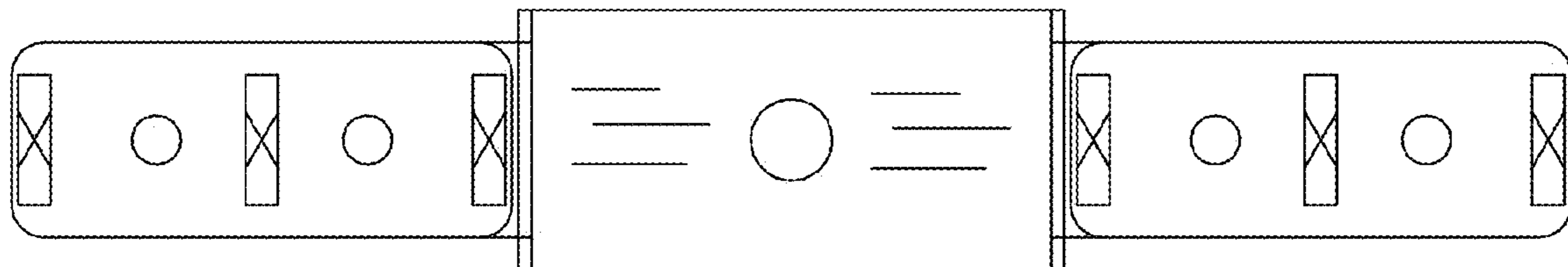


FIG. 4

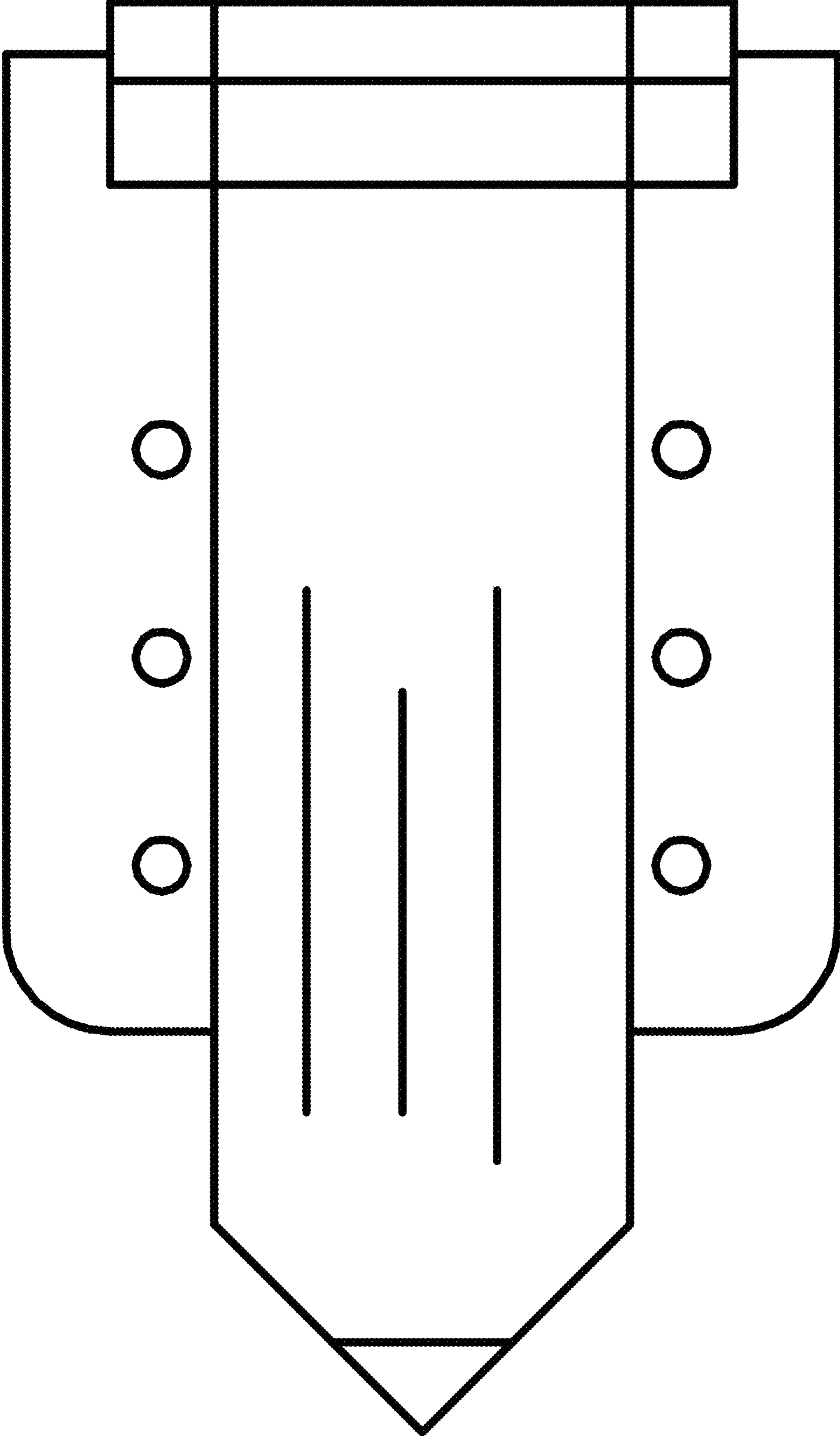


FIG. 5

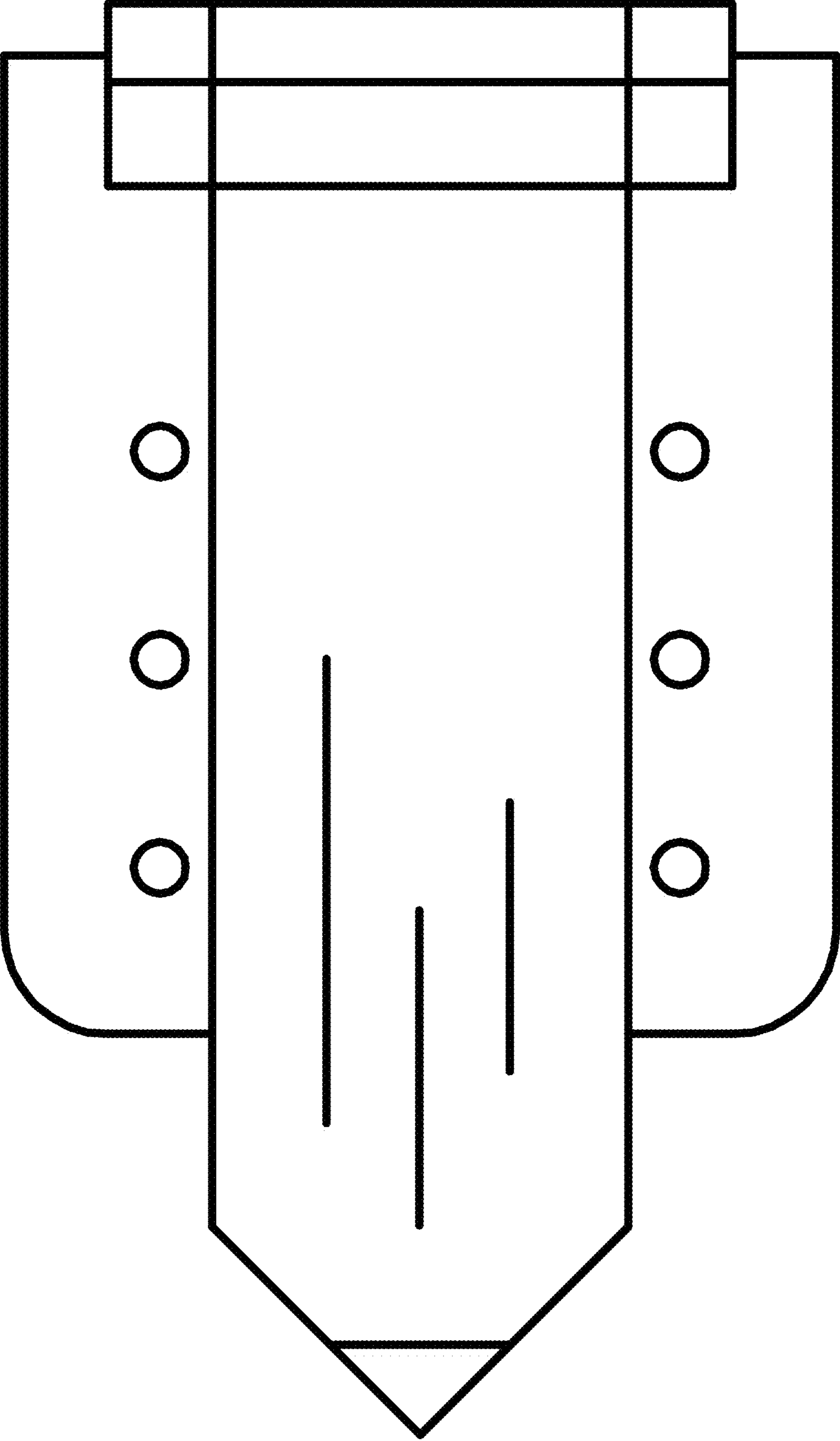


FIG. 6