

US00D920750S

(12) **United States Design Patent**
Zhong

(10) **Patent No.:** **US D920,750 S**
(45) **Date of Patent:** **** Jun. 1, 2021**

(54) **STORAGE BOX FOR COFFEE CAPSULES**

(71) Applicant: **XIAMEN LEGENDA ELECTRONIC TECHNOLOGY COMPANY LIMITED**, Xiamen (CN)

(72) Inventor: **Wenda Zhong**, Xiamen (CN)

(73) Assignee: **XIAMEN LEGENDA ELECTRONIC TECHNOLOGY COMPANY LIMITED**, Xiamen (CN)

(**) Term: **15 Years**

(21) Appl. No.: **29/719,808**

(22) Filed: **Jan. 8, 2020**

(30) **Foreign Application Priority Data**

Sep. 10, 2019 (CN) 201930497753.1

(51) **LOC (13) Cl.** **07-07**

(52) **U.S. Cl.**
USPC **D7/703**

(58) **Field of Classification Search**

USPC D7/601, 602, 701, 703, 705, 706, 707, D7/708, 708.1; D3/201, 273, 295; D6/672, 675, 675.1, 675.2, 675.3, 675.5, D6/678, 678.1, 678.2, 682, 682.1, 682.3, D6/682.4, 683, 683.1, 702, 705; D9/414, D9/423, 424, 455, 751, 757, 761

CPC A47B 73/00; A47B 73/006; A47B 88/00; A47B 88/40; A47B 2210/06; A47B 2210/07; A47B 2210/08; A45C 11/20; A47G 19/2255; A47G 19/2261; A47G 19/32; A47G 21/001; A47G 23/02; A47G 23/0208; A47G 23/0216; A47G 23/0225; A47G 23/0258; A47G 23/0266; A47G 23/0316; A47G 23/06; A47G 23/0641;

(Continued)

(56) **References Cited**

U.S. PATENT DOCUMENTS

D644,491 S * 9/2011 Snider D7/600.1
D701,090 S * 3/2014 Sabounjian D7/600.1

(Continued)

OTHER PUBLICATIONS

EVERIE Crystal Tempered Glass Top Organizer Drawer Holder, first available Oct. 14, 2019, Amazon, [online], [site visited Apr. 2, 2021], Available from internet URL: <https://www.amazon.com/EVERIE-Tempered-Organizer-Nespresso-Vertuoline/dp/B07Z3YSJF7> (Year: 2019).*

(Continued)

Primary Examiner — Mary Ann Calabrese

Assistant Examiner — Natalya M Rapundalo

(74) *Attorney, Agent, or Firm* — Bayramoglu Law Offices LLC

(57) **CLAIM**

The ornamental design for a storage box for coffee capsules, as shown and described.

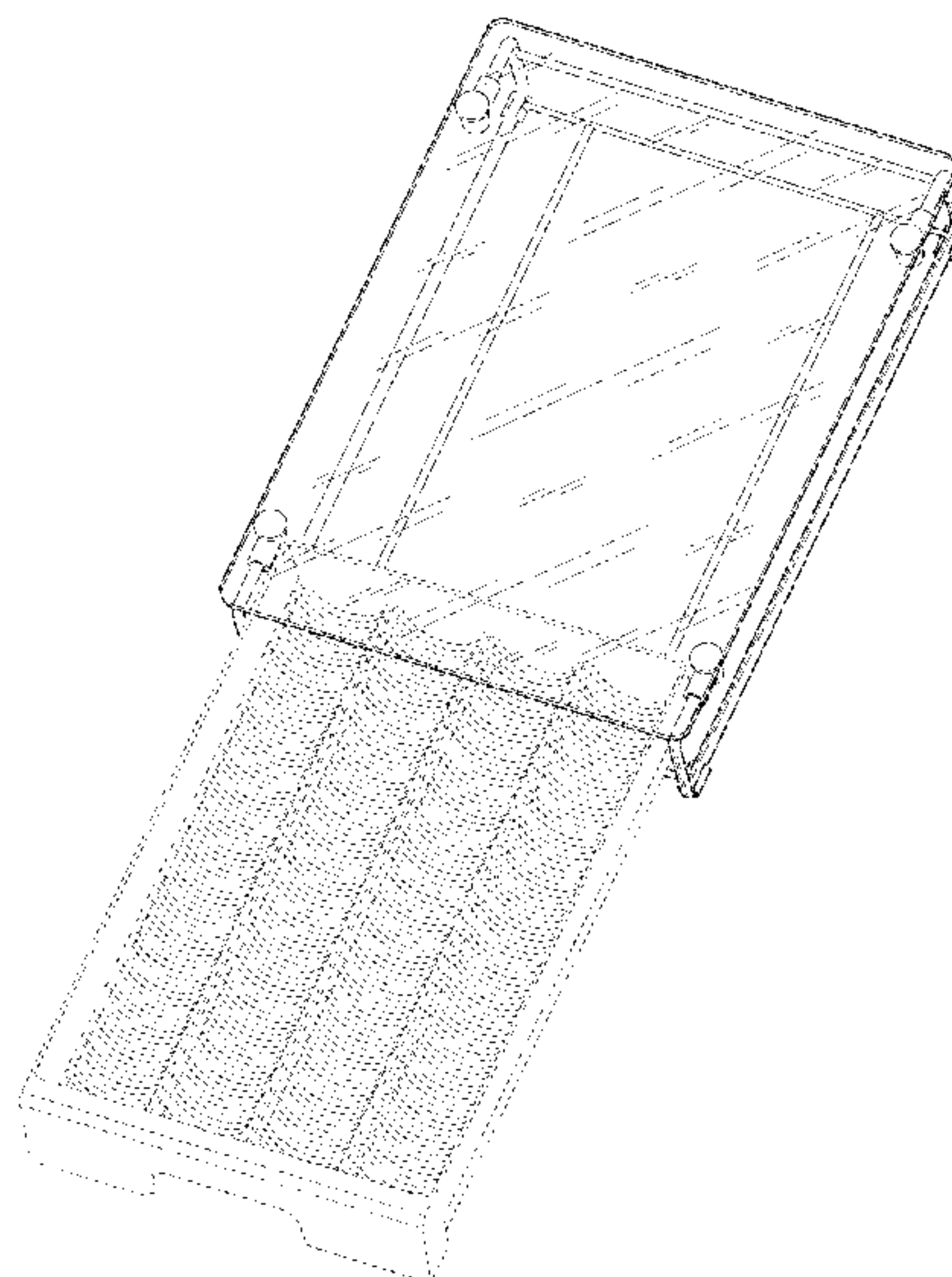
DESCRIPTION

FIG. 1 is a front and bottom perspective view of a storage box for coffee capsules, showing my new design; FIG. 2 is a top plan view thereof; FIG. 3 is a bottom plan view thereof; FIG. 4 is a left side view thereof; FIG. 5 is a front view thereof; FIG. 6 is a rear view thereof; FIG. 7 is a rear and bottom perspective view thereof; and, FIG. 8 is a top perspective view thereof with a drawer pulled out.

A right side view is omitted since the right side view is a mirror image of the left side view.

The drawer shown in broken lines is for the purpose of illustrating the environmental structure and forms no part of claimed design.

1 Claim, 8 Drawing Sheets



(58) **Field of Classification Search**

CPC A47G 2023/0283; A47G 29/093; A47J
47/14; A47J 47/16

See application file for complete search history.

(56) **References Cited**

U.S. PATENT DOCUMENTS

8,974,014 B1 * 3/2015 Tiemann A47B 88/90
312/351.1
D734,101 S * 7/2015 Greenspon D7/600.1
D743,748 S * 11/2015 Tiemann D7/600.1
D750,442 S * 3/2016 Tiemann D7/600.1
D755,574 S * 5/2016 Lee D7/600.1
D802,369 S * 11/2017 Hertaus A47B 88/90
D7/600.1

OTHER PUBLICATIONS

DecoBros Crystal Tempered Glass Nespresso Vertuoline Storage
Drawer Holder For Capsules, Amazon, [online], [site visited Apr. 2,
2021], Available from internet URL: [https://www.amazon.com/
DecoBros-Tempered-Nespresso-Vertuoline-Capsules/dp/
B00YNPKZNU](https://www.amazon.com/DecoBros-Tempered-Nespresso-Vertuoline-Capsules/dp/B00YNPKZNU) (Year: 2021).*

* cited by examiner

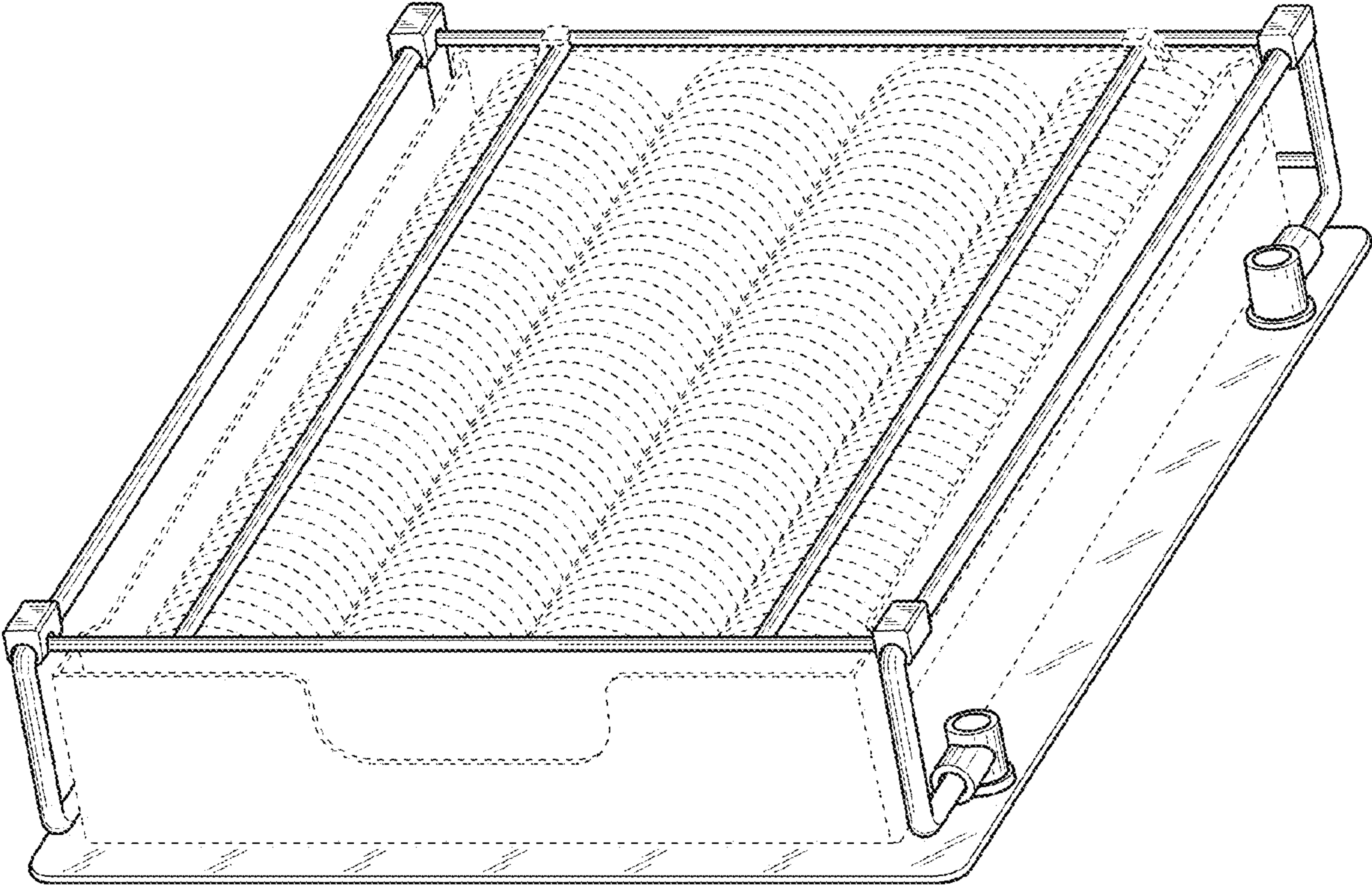


Fig. 1

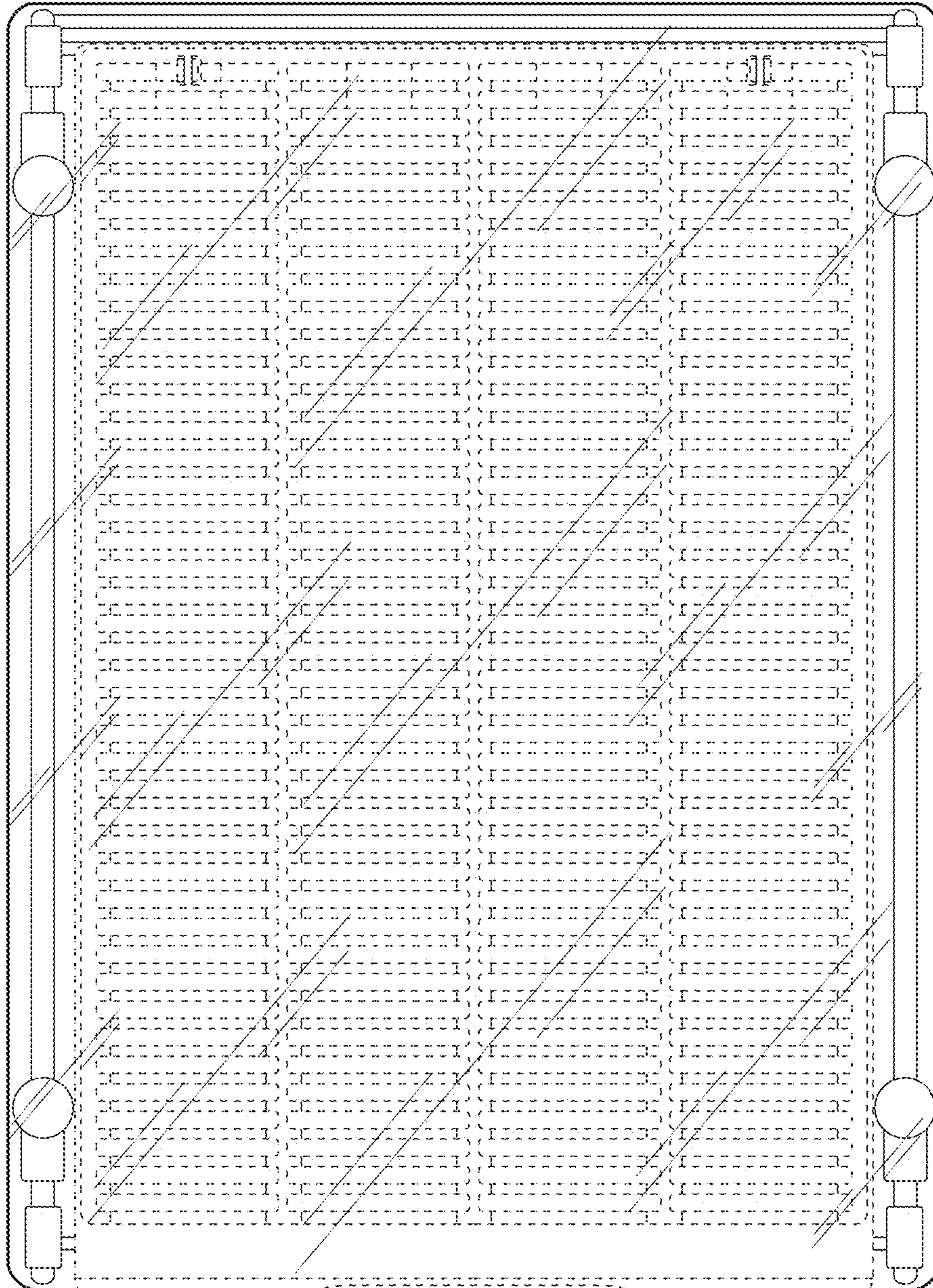


Fig. 2

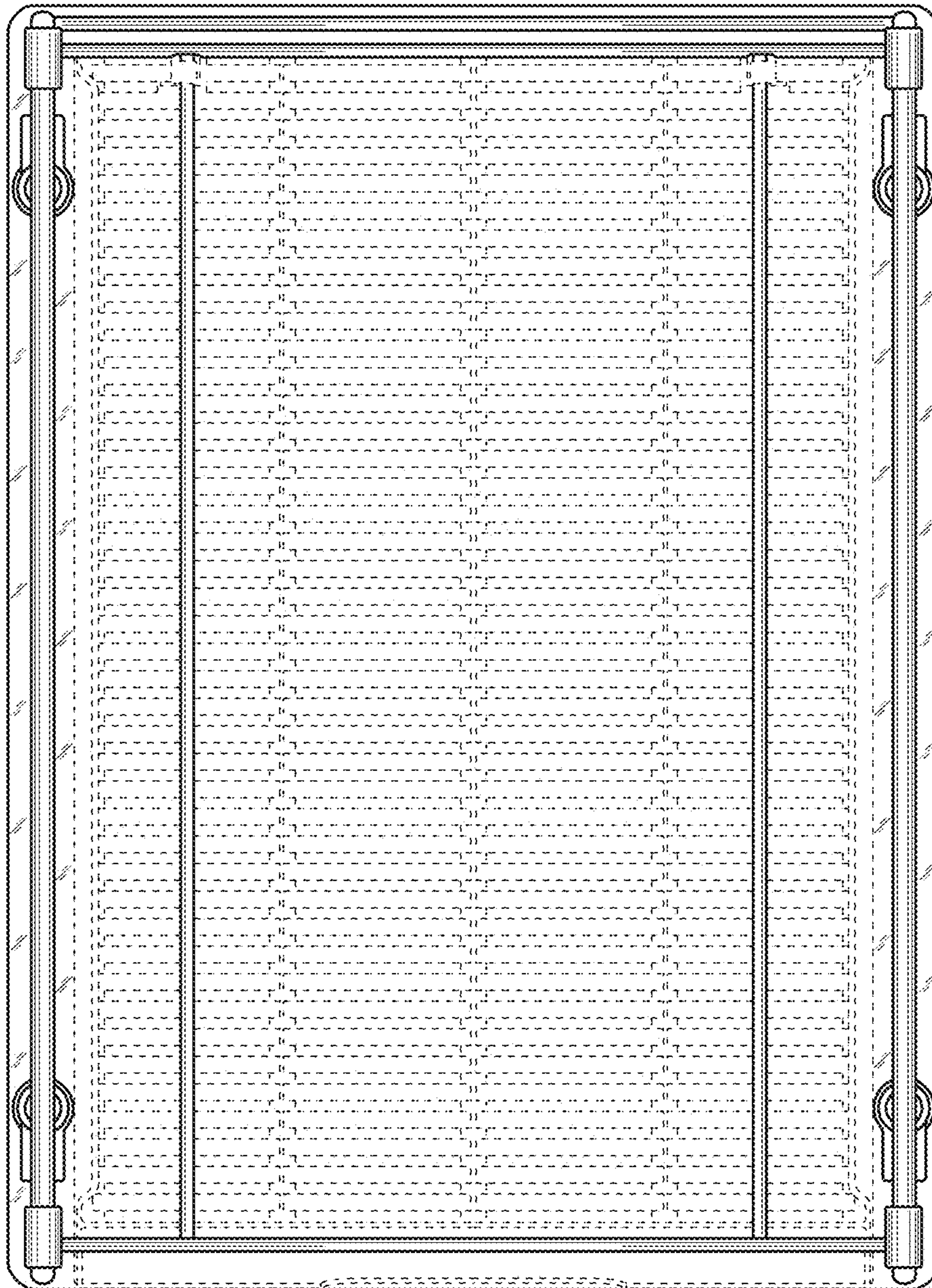


Fig. 3

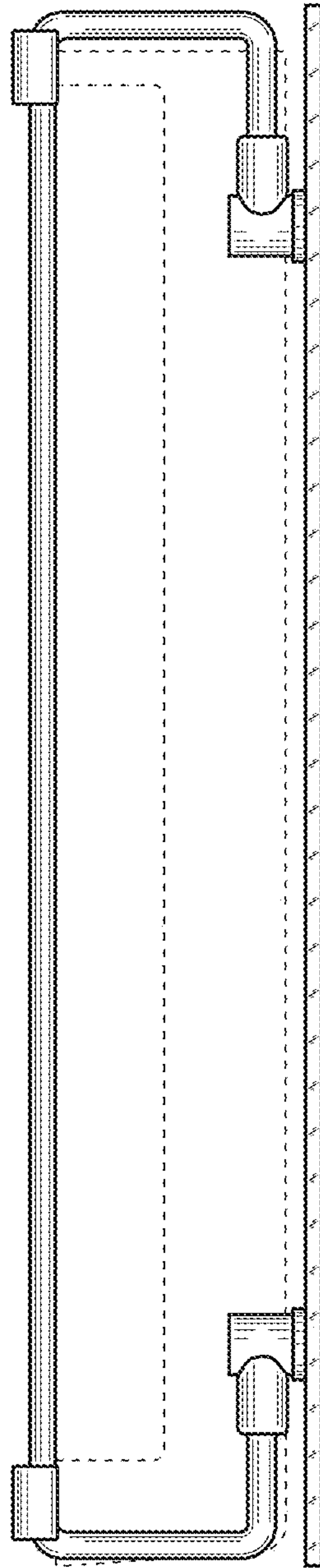


Fig. 4

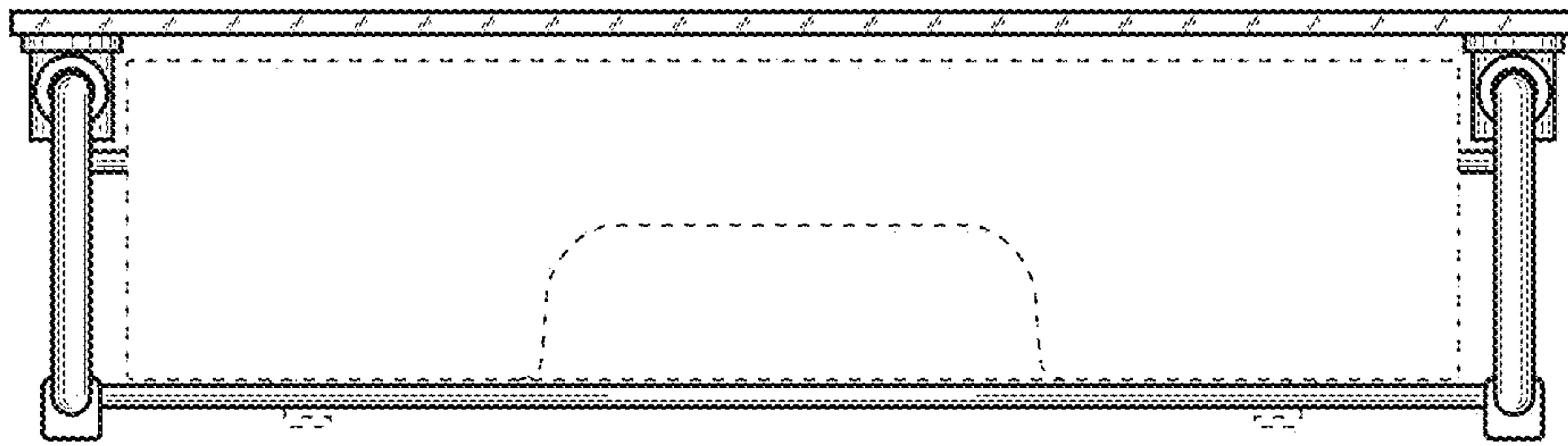


Fig. 5

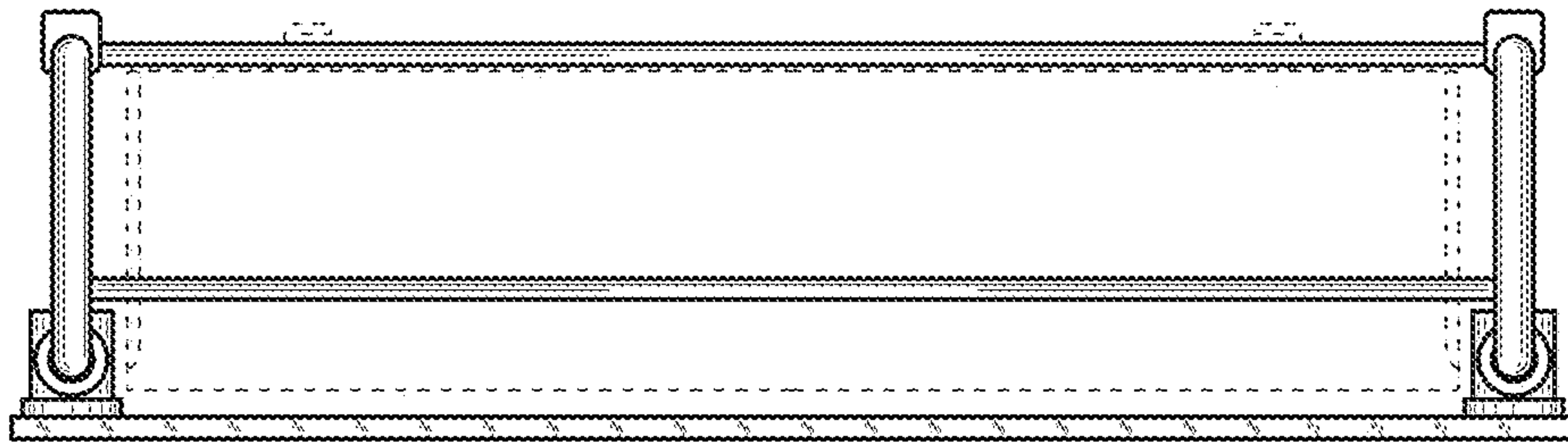


Fig. 6

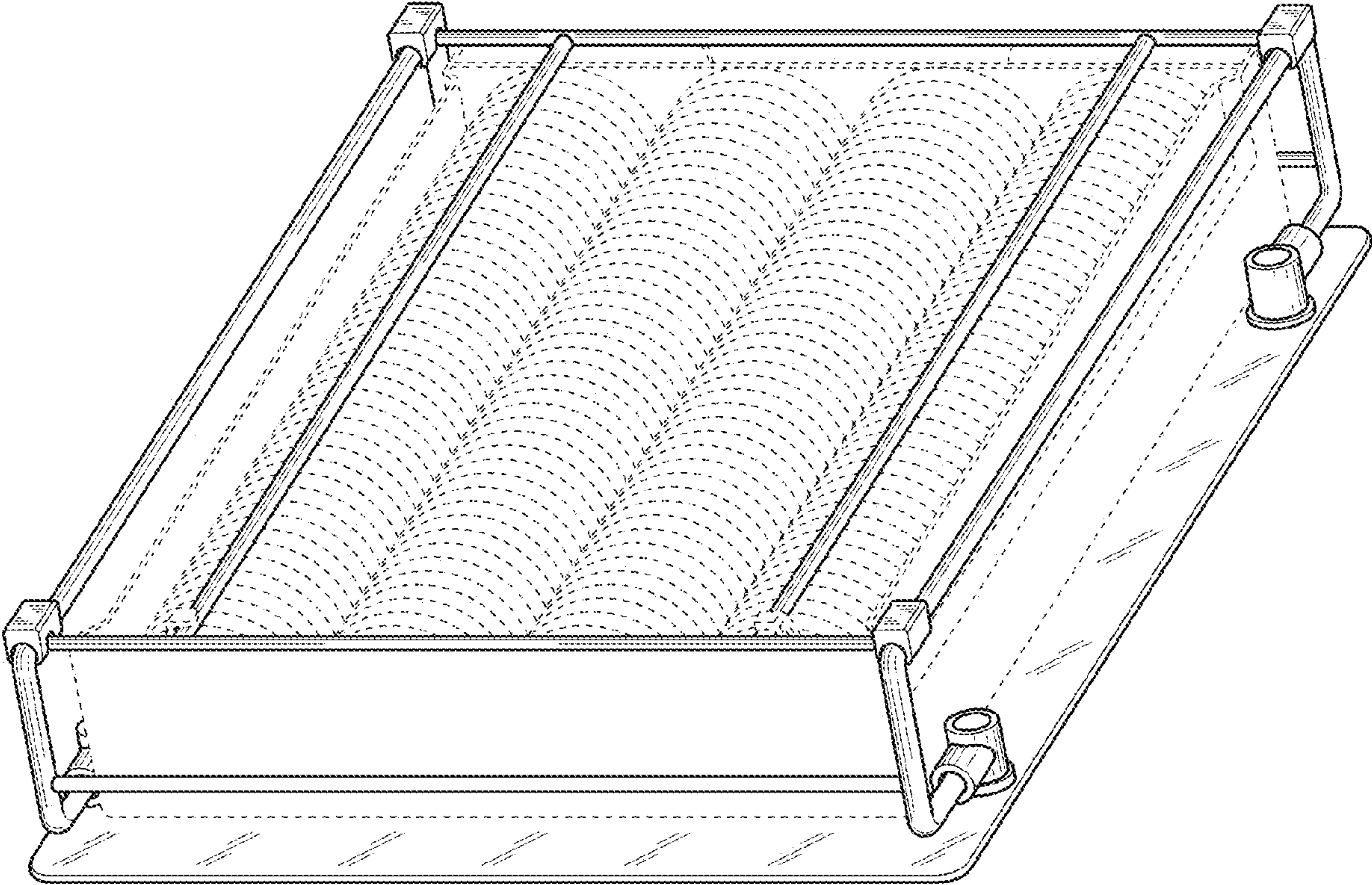


Fig. 7

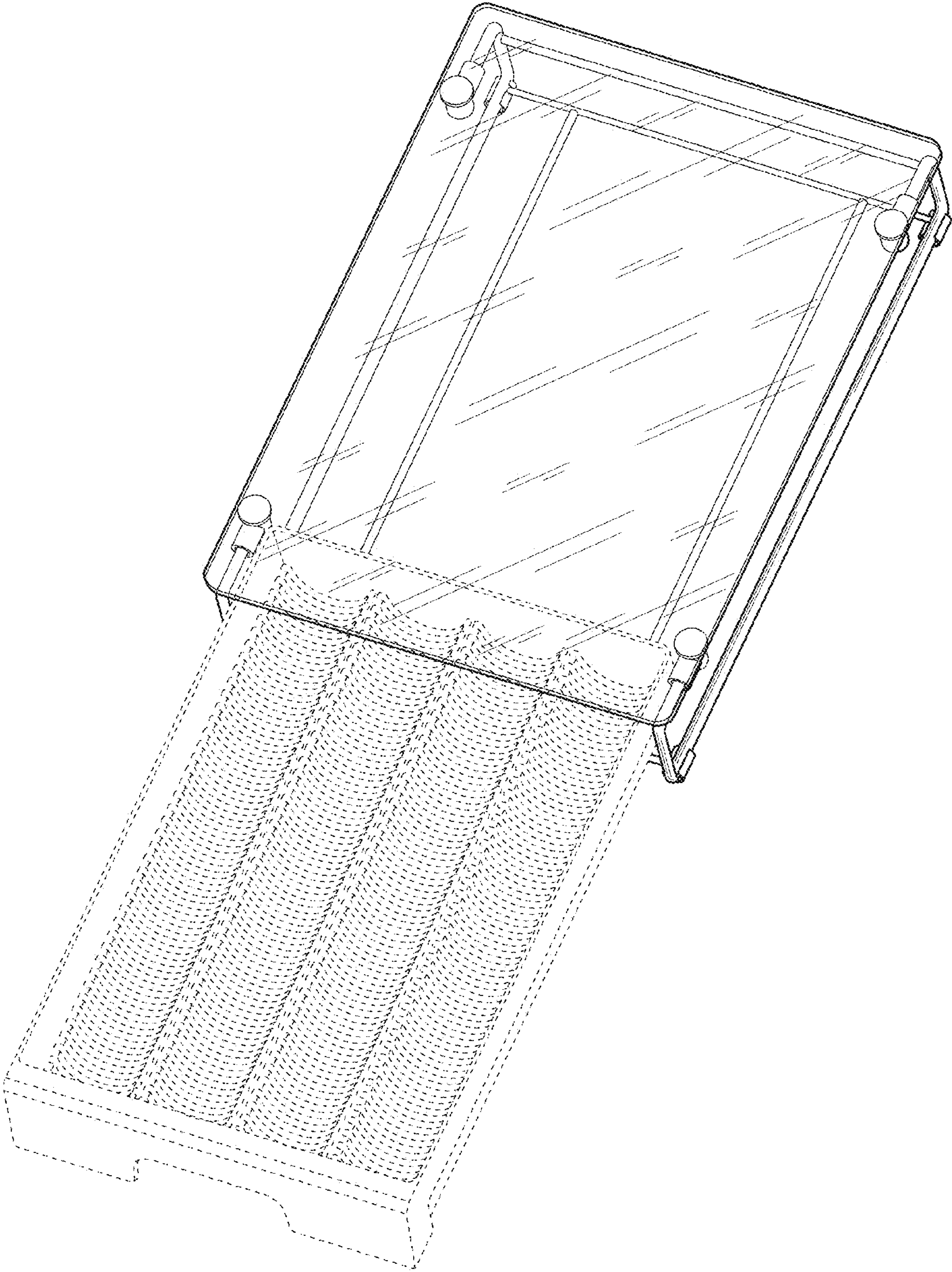


Fig. 8