



US00D920748S

(12) **United States Design Patent**
Kim et al.

(10) **Patent No.:** **US D920,748 S**
(45) **Date of Patent:** **** Jun. 1, 2021**

- (54) **VEGETABLE PEELER**
- (71) Applicants: **Min Kim**, Jersey City, NJ (US);
Edward Lee, Brooklyn, NY (US);
Mason Adam Umholtz, Sunnyvale, CA (US); **Marc-Aurelien Vivant**,
Brooklyn, NY (US)
- (72) Inventors: **Min Kim**, Jersey City, NJ (US);
Edward Lee, Brooklyn, NY (US);
Mason Adam Umholtz, Sunnyvale, CA (US); **Marc-Aurelien Vivant**,
Brooklyn, NY (US)
- (73) Assignee: **Helen of Troy Limited**, St. Michael (BB)
- (**) Term: **15 Years**
- (21) Appl. No.: **29/702,280**
- (22) Filed: **Aug. 18, 2019**
- (51) **LOC (13) Cl.** **07-06**
- (52) **U.S. Cl.**
USPC **D7/695; D7/693**
- (58) **Field of Classification Search**
USPC D7/368, 393, 395, 669, 680–696
CPC A47J 17/02; A47J 45/061; A47J 43/288;
B26D 1/03
See application file for complete search history.

D859,092 S * 9/2019 Evans D7/695
D859,093 S * 9/2019 Umholtz D7/695
D859,094 S * 9/2019 Umholtz D7/695
D859,095 S * 9/2019 Umholtz D7/695
D859,096 S * 9/2019 Umholtz D7/695
2004/0117991 A1* 6/2004 Haberstroh A47J 17/02
30/279.6
2005/0262703 A1* 12/2005 Best A47J 17/02
30/279.6

FOREIGN PATENT DOCUMENTS

WO D040355-004 * 6/1997
WO D063179-003 * 3/2003

OTHER PUBLICATIONS

OXO Good Grips Y Peeler. Online, published date Oct. 2, 2001.
Retrieved on Oct. 7, 2020 from URL: <https://www.amazon.com/OXO-21081-Grips-Peeler-Black/dp/B00004OCIU?th=1>.*

(Continued)

Primary Examiner — Susan Bennett Hattan
Assistant Examiner — Omeed Agilee
(74) *Attorney, Agent, or Firm* — Rankin, Hill & Clark
LLP

(57) **CLAIM**

The ornamental design for a vegetable peeler, as shown, and described.

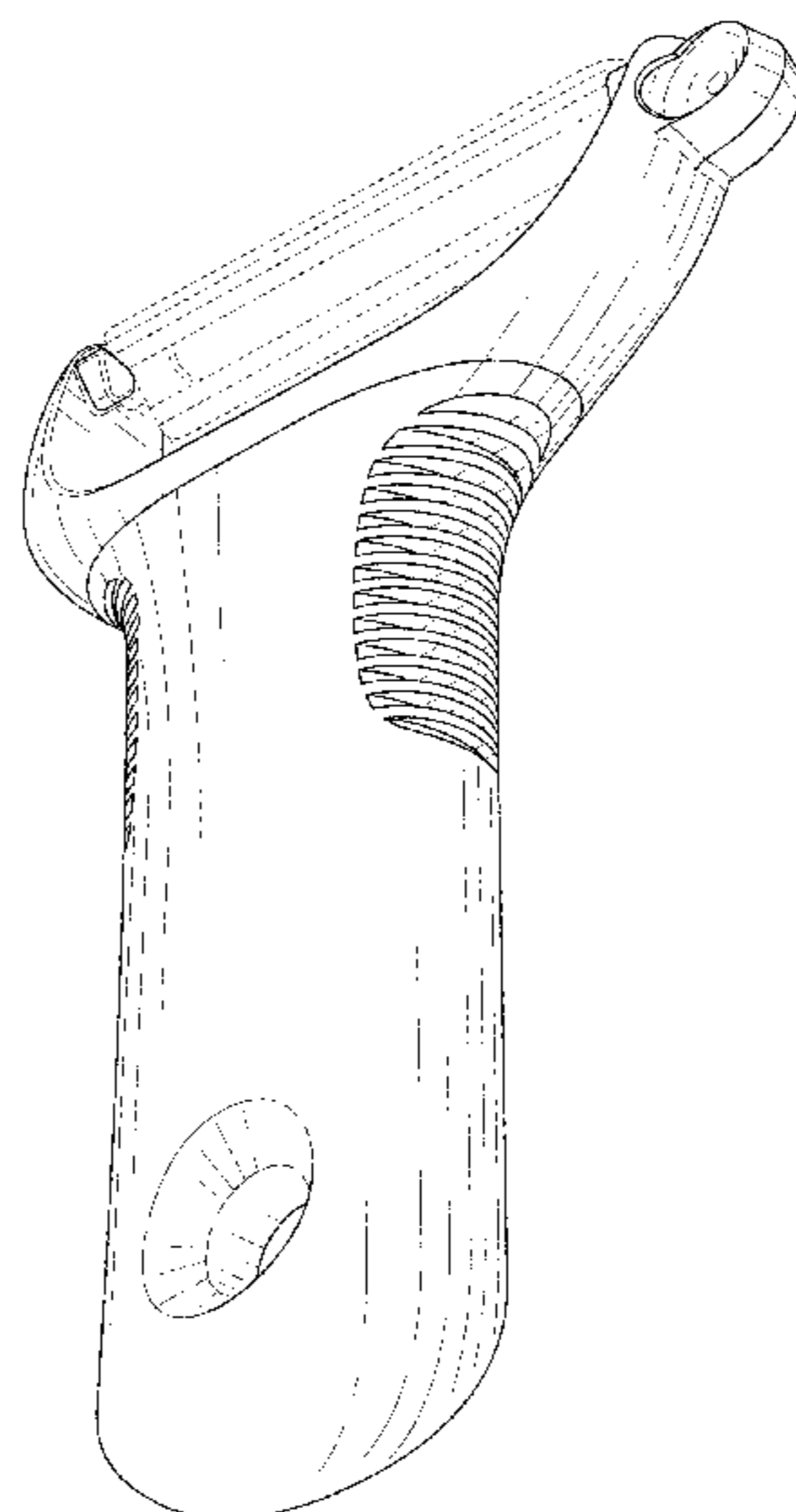
DESCRIPTION

FIG. 1 is a perspective view of a vegetable peeler;
FIG. 2 is a front view thereof;
FIG. 3 is a rear view thereof;
FIG. 4 is a right elevation view thereof,
FIG. 5 is a left elevation view thereof;
FIG. 6 is a top plan view thereof; and,
FIG. 7 is a bottom plan view thereof.
The broken lines in the drawings depict portions of the vegetable peeler that form no part of the claimed design.

1 Claim, 7 Drawing Sheets

(56) **References Cited**
U.S. PATENT DOCUMENTS

D332,034 S * 12/1992 Viemeister D7/695
D403,928 S * 1/1999 Joergensen D7/695
D407,277 S * 3/1999 Cousins D7/695
D427,044 S * 6/2000 White D7/393
D563,738 S * 3/2008 Michaelian D7/695
D674,253 S * 1/2013 Spiegel D7/695
D674,254 S * 1/2013 Spiegel D7/695
D720,191 S * 12/2014 Bhasin D7/695
D766,681 S * 9/2016 Hartshorn D7/695



(56)

References Cited

OTHER PUBLICATIONS

Tagefa Potato Peeler Y Shaped Vegetable Peeler, Premium Ultra Sharp Fruit Peeler for Kitchen. Online, published date May 27, 2018 . Retrieved on Oct. 7, 2020 from URL: <https://www.amazon.com/Tagefa-Kitchen-Potato-Peeler-Vegetable/dp/B07CCMYP1C?th=1>.
<https://www.oxo.com/y-peeler-349.html>, publicly available prior to Aug. 18, 2019.

* cited by examiner

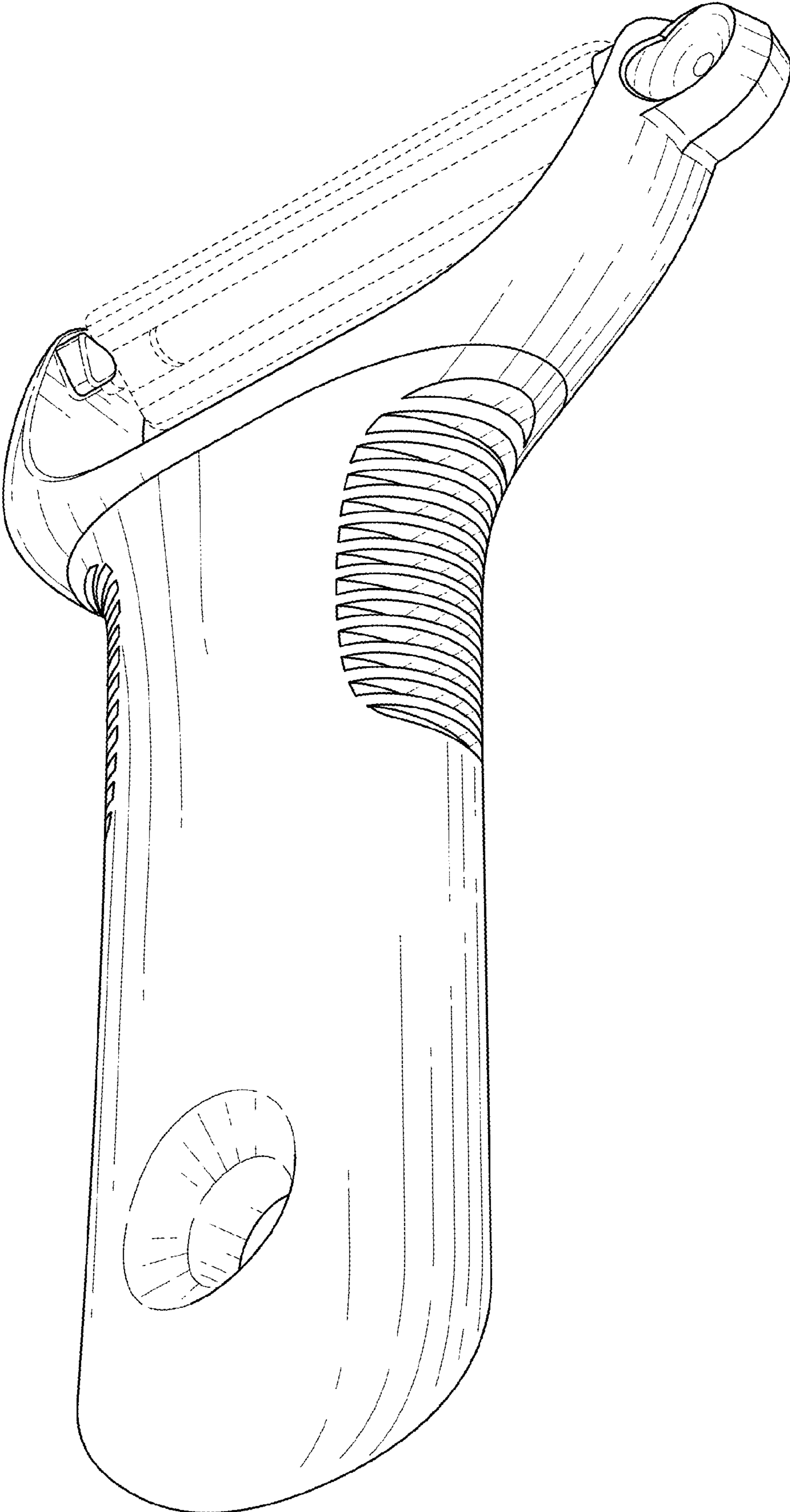


FIG. 1

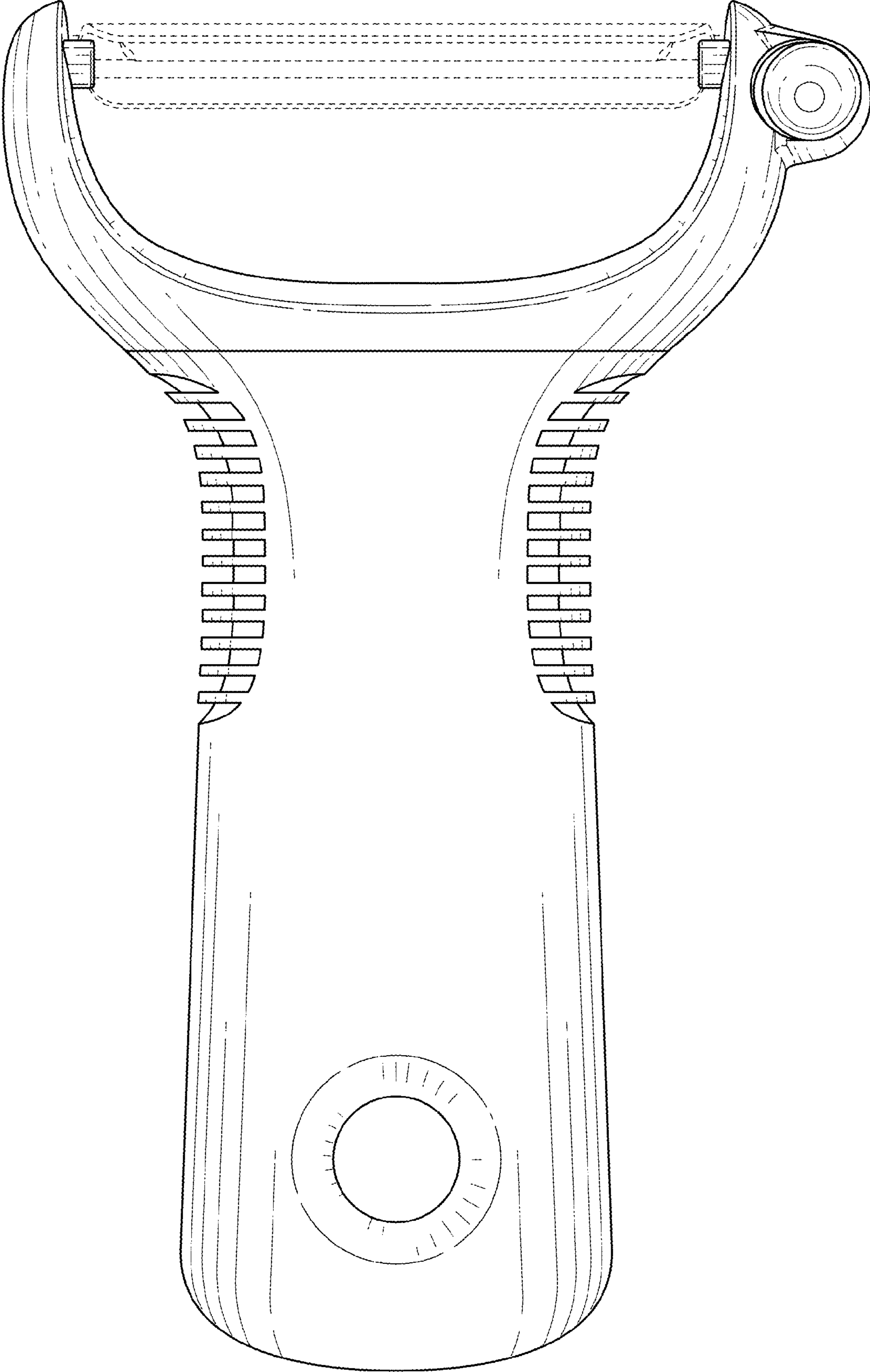


FIG. 2

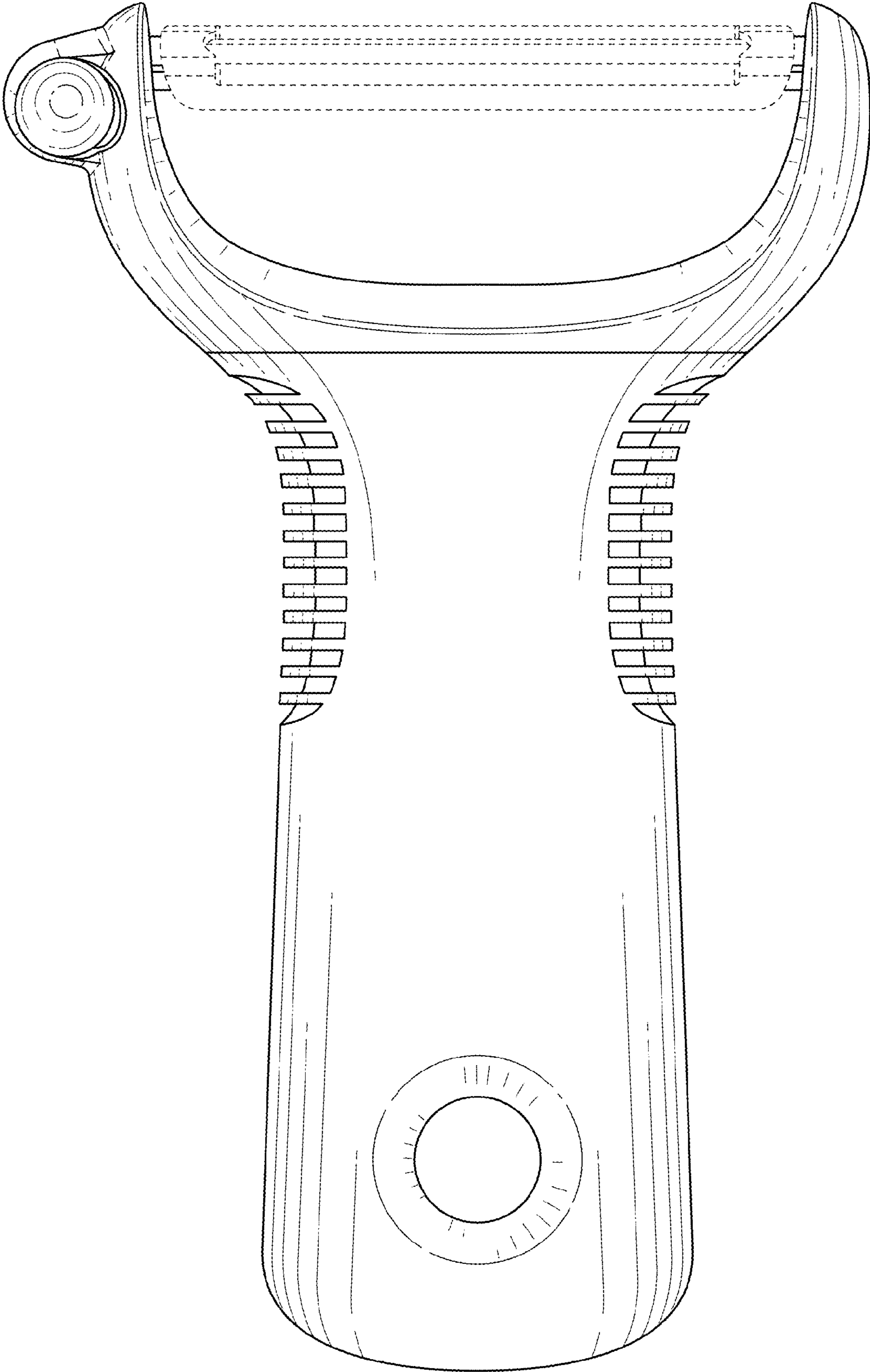


FIG. 3

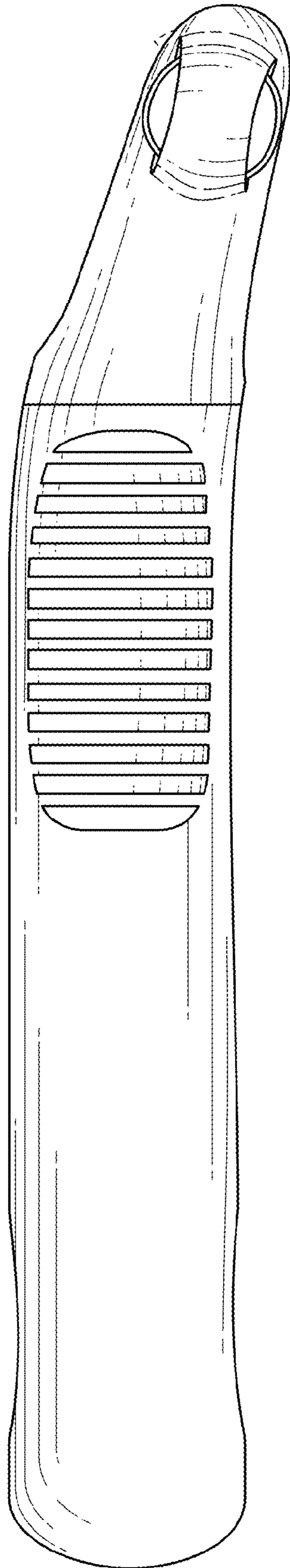


FIG. 4

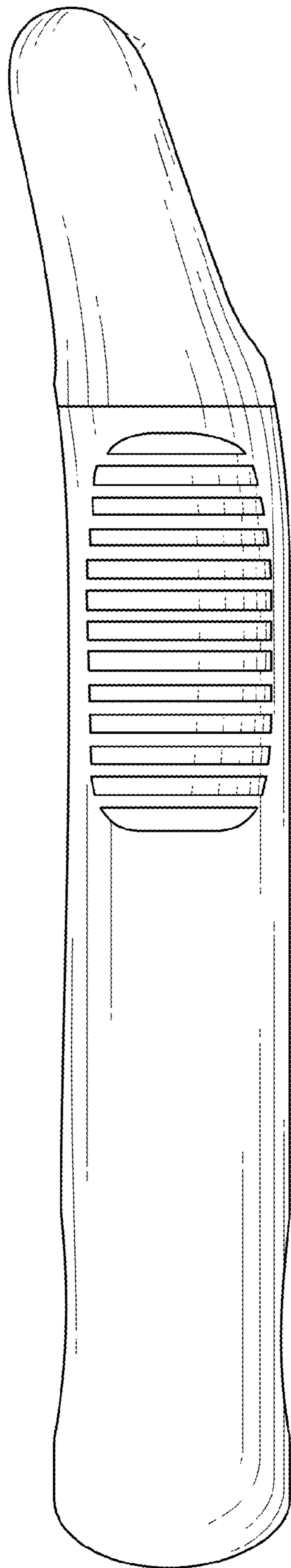


FIG. 5

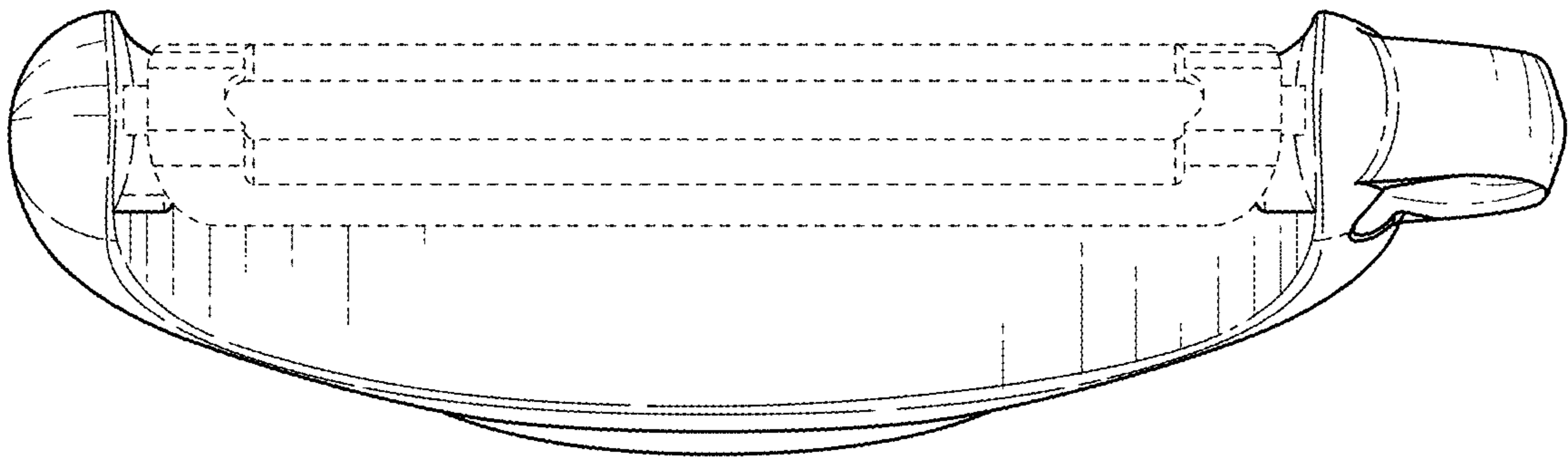


FIG. 6

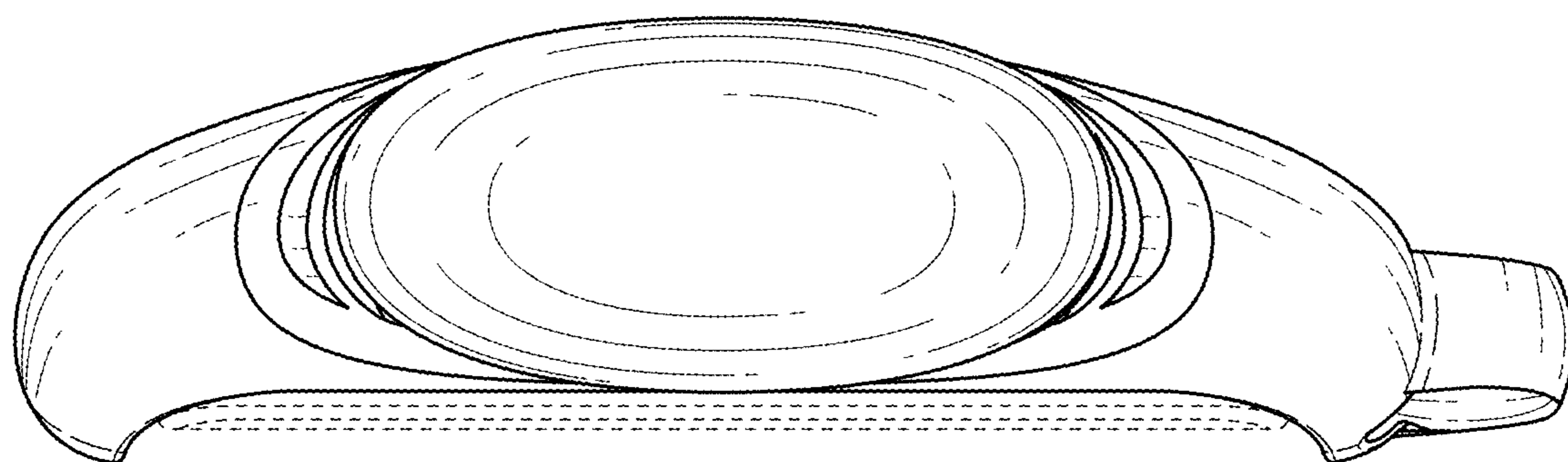


FIG. 7