



US00D920746S

(12) **United States Design Patent** (10) **Patent No.:** **US D920,746 S**
Seiders et al. (45) **Date of Patent:** **** Jun. 1, 2021**

(54) **BEVERAGE HOLDER**

(56)

References Cited

(71) Applicant: **YETI Coolers, LLC**, Austin, TX (US)

U.S. PATENT DOCUMENTS

(72) Inventors: **Roy Joseph Seiders**, Austin, TX (US);
John Alan Tolman, Austin, TX (US)

D2,440 S	9/1866	Matthews, Jr.
604,514 A	5/1898	Belden
899,290 A	9/1908	Bricker et al.
1,133,420 A	3/1915	Young
D47,798 S	9/1915	Pick
1,191,319 A	7/1916	Kline
1,771,186 A	7/1930	Mock
2,029,429 A	2/1936	Koons
2,070,414 A	2/1937	Snell
D105,373 S	7/1937	Connor
2,088,387 A	7/1937	Rice, Jr. et al.
2,128,466 A	8/1938	Machotka
2,215,402 A	9/1940	McDonald
2,215,691 A	9/1940	East
2,378,867 A	6/1945	Reichart
2,414,697 A	1/1947	Pettersson
2,484,608 A	10/1949	Cheyney
2,610,489 A	9/1952	Clemensen
2,675,954 A	4/1954	Vogel
D177,559 S	5/1956	Emmert
2,871,051 A	1/1959	Nesslein et al.
D186,555 S	11/1959	Hunt
2,928,570 A	3/1960	Fitch
2,981,562 A	4/1961	Long
3,118,560 A	1/1964	Cornelius
3,128,029 A	4/1964	Price
3,202,309 A	8/1965	Simpson
3,206,210 A	9/1965	Bard
3,261,633 A	7/1966	Sakuta
3,342,370 A	9/1967	Johnson
D209,308 S	11/1967	Schilling
3,353,729 A	11/1967	Hull
D209,533 S	12/1967	Cole
D211,818 S	7/1968	Massey
3,421,681 A	1/1969	Frank
3,458,164 A	7/1969	Massey
3,463,140 A	8/1969	Rollor
D217,781 S	6/1970	Stone
3,571,940 A	3/1971	Bender
3,578,524 A	5/1971	Ignell
3,602,386 A	8/1971	Brime
3,603,106 A	9/1971	Ryan et al.
3,679,253 A	7/1972	Simms
3,682,352 A	8/1972	Doucette
3,703,255 A	11/1972	Wade
3,730,383 A	5/1973	Dunn et al.
D227,532 S	7/1973	Refsgaard
3,753,512 A	8/1973	Curry
3,755,030 A	8/1973	Doman et al.

(73) Assignee: **YETI Coolers, LLC**, Austin, TX (US)

(**) Term: **15 Years**

(21) Appl. No.: **29/735,486**

(22) Filed: **May 21, 2020**

Related U.S. Application Data

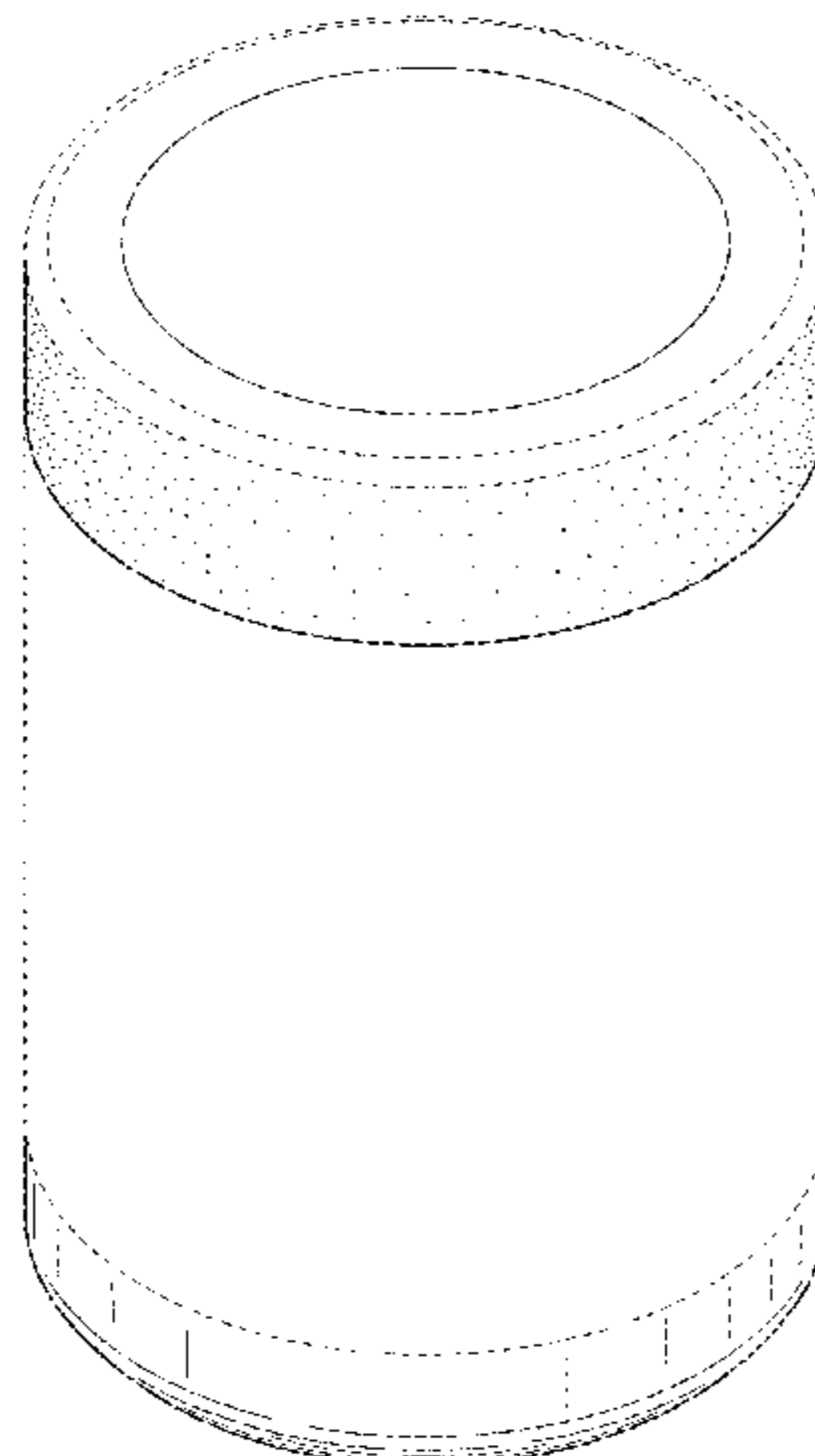
(63) Continuation of application No. 29/664,317, filed on Sep. 24, 2018, now Pat. No. Des. 888,505, which is a continuation of application No. 29/596,829, filed on Mar. 10, 2017, now Pat. No. Des. 829,058, which is a continuation of application No. 29/581,483, filed on Oct. 19, 2016, now Pat. No. Des. 826,003, which is a continuation of application No. 29/540,989, filed on Sep. 29, 2015, now Pat. No. Des. 780,531, which is a continuation of application No. 29/500,908, filed on Aug. 29, 2014, now Pat. No. Des. 752,397.

(51) **LOC (13) Cl.** **07-01**

(52) **U.S. Cl.**
USPC **D7/624.2**; D7/608

(58) **Field of Classification Search**
USPC D7/619.1-625, 509, 523, 605-608
CPC B65D 81/38; B65D 81/3876; B65D 81/3879; B65D 81/3881; B65D 81/3886; B65D 81/3888; B65D 81/389; B65D 81/3893; B65D 81/3895; B65D 81/3869; B65D 81/3897; B65D 81/3883; A47G 23/0241; A47G 23/0216; A47G 23/0258; A47G 23/0266; F25D 3/08; F25D 31/007; F25D 31/008; F25D 31/002; F25D 31/006

See application file for complete search history.



US D920,746 S

Page 2

3,765,559 A	10/1973	Sauey et al.	D352,210 S	11/1994	Cousins et al.
D229,006 S	11/1973	Sauey	5,390,804 A	2/1995	Beggins
D231,068 S	4/1974	Douglas	5,398,842 A	3/1995	Sokolski et al.
3,827,925 A	8/1974	Douglas	5,400,907 A	3/1995	Chen
3,979,011 A	9/1976	Schleicher	D357,387 S	4/1995	Davidson et al.
3,995,445 A	12/1976	Huskins	D358,531 S	5/1995	Cousins et al.
4,027,779 A	6/1977	De Long	5,427,269 A	6/1995	Willbrandt
D246,029 S	10/1977	Lynn et al.	D360,133 S	7/1995	Boller
4,055,273 A	10/1977	Jones	5,433,337 A	7/1995	Willbrandt
D247,541 S	3/1978	Barger	5,433,339 A	7/1995	Sarver
4,096,947 A	6/1978	Morse	D362,369 S	9/1995	Bridges
4,120,073 A	10/1978	Studebaker	D363,642 S	10/1995	Goto et al.
4,127,915 A	12/1978	Logan et al.	5,467,891 A	11/1995	Perry
4,136,799 A	1/1979	Albert	D366,186 S	1/1996	Kato
D250,986 S	2/1979	Thrush	D368,830 S	4/1996	Lu
D251,175 S	2/1979	Logan et al.	5,508,498 A	4/1996	Rheinisch et al.
4,151,923 A	5/1979	Bernardi et al.	D370,300 S	5/1996	Gottvald et al.
4,163,374 A	8/1979	Moore et al.	5,531,353 A	7/1996	Ward et al.
4,183,226 A	1/1980	Moore	D372,839 S	8/1996	Laib
D254,417 S	3/1980	DeMars et al.	D373,290 S	9/1996	Bailin
D256,418 S	8/1980	Corbett	D375,870 S	11/1996	Stonehouse
D257,524 S	11/1980	Heinrich	5,573,141 A	11/1996	Chen
4,253,630 A	3/1981	Rigg	D377,132 S	1/1997	Jørgensen
D258,795 S	4/1981	Zamorski	D377,741 S	2/1997	Bennett et al.
4,261,501 A	4/1981	Watkins et al.	D379,738 S	6/1997	Liming et al.
D263,581 S	3/1982	Kaye	D379,740 S	6/1997	Miller
D265,159 S	6/1982	La Barbera	D382,174 S	8/1997	Grimm
D265,279 S	7/1982	Wright	5,655,805 A	8/1997	Shaddy
D265,880 S	8/1982	Craig	D383,638 S	9/1997	Joergensen
4,344,303 A	8/1982	Kelly, Jr.	D384,246 S	9/1997	McKnight
D266,305 S	9/1982	Scheurer	D384,557 S	10/1997	Goza
D266,391 S	10/1982	Jordon	D386,948 S	12/1997	Wissinger
4,357,809 A	11/1982	Held et al.	D395,200 S	6/1998	Bidwell
D269,147 S	5/1983	Trombly	D395,238 S	6/1998	Freitas
4,420,081 A	12/1983	Dart	5,769,262 A	6/1998	Yamada et al.
4,452,374 A	6/1984	Hitchcock et al.	D395,825 S	7/1998	Freitas
4,452,375 A	6/1984	Marcus	D396,381 S	7/1998	Chung
4,456,134 A	6/1984	Cooper	D396,384 S	7/1998	Slaten et al.
D274,502 S	7/1984	Little	D396,605 S	8/1998	Benson
D277,921 S	3/1985	Otto	5,788,298 A	8/1998	Cheng
4,540,611 A	9/1985	Henderson	5,799,369 A	9/1998	Schulein
D285,032 S	8/1986	Alonzo	D399,099 S	10/1998	Cousins
D285,637 S	9/1986	Zieff et al.	5,816,631 A	10/1998	Kochan
D286,604 S	11/1986	Bierlein et al.	5,820,016 A	10/1998	Stropkay
4,620,642 A	11/1986	Wertz et al.	5,839,599 A	11/1998	Lin
D286,967 S	12/1986	Appel	D401,808 S	12/1998	Grivsky
D288,766 S	3/1987	Tardif	D402,766 S	12/1998	Smith et al.
4,654,274 A	3/1987	DeMars	5,848,722 A	12/1998	Hanes
D289,143 S	4/1987	Guillaume	D404,241 S	1/1999	Bagley
D289,484 S	4/1987	Forquer et al.	D404,974 S	2/1999	Kristinik
4,715,633 A	12/1987	Brink et al.	D405,609 S	2/1999	Fu et al.
4,720,023 A	1/1988	Jeff	5,868,310 A	2/1999	Leszczynski
4,746,028 A	5/1988	Bagg	D408,689 S	4/1999	Kato
D298,200 S	10/1988	Block et al.	D409,445 S	5/1999	Lage et al.
4,798,063 A	1/1989	Rimmer	D412,806 S	8/1999	Pierce
D299,688 S	2/1989	Chung	5,948,728 A	9/1999	Patton et al.
D300,495 S	4/1989	Minuti	D415,651 S	10/1999	Trombly
D301,821 S	6/1989	Bartolo	5,964,102 A	10/1999	Tsai
4,848,625 A	7/1989	Lucia	D416,444 S	11/1999	Jørgensen
D307,089 S	4/1990	Lage	D416,757 S	11/1999	Ginuntoli
D309,545 S	7/1990	Ancona et al.	D417,589 S	12/1999	Parker
4,953,743 A	9/1990	Dart et al.	D417,590 S	12/1999	Kato
D312,044 S	11/1990	Davis	D417,593 S	12/1999	Ruegg
4,993,675 A	2/1991	Walker	D417,819 S	12/1999	Kelly-Pollet
D318,428 S	7/1991	Kowk	D418,013 S	12/1999	Fujii
5,029,720 A	7/1991	Bridges	6,050,443 A	4/2000	Tung
D319,755 S	9/1991	Guy	6,065,609 A	5/2000	Lake
D322,753 S	12/1991	Sussman	6,065,632 A	5/2000	Moore, Jr.
D324,281 S	2/1992	Brussing	D427,853 S	7/2000	Kohlhase
D324,976 S	3/1992	Katz	6,085,931 A	7/2000	Sadow
D327,093 S	6/1992	Evenson	D429,607 S	8/2000	Prim
5,168,140 A	12/1992	Welker	6,094,935 A	8/2000	Stein
D334,869 S	4/1993	Mills	6,102,458 A	8/2000	Scace
D337,029 S	7/1993	McKechnie	6,135,312 A	10/2000	Chen et al.
5,249,703 A	10/1993	Karp	D433,599 S	11/2000	Kristiansen et al.
D345,676 S	4/1994	Biffle	D433,876 S	11/2000	Freed
D346,092 S	4/1994	Van De Velde	6,149,028 A	11/2000	Yu
D351,314 S	10/1994	Sokolski et al.	6,161,720 A	12/2000	Castle
D352,201 S	11/1994	Spence, Jr.	D436,295 S	1/2001	Furman et al.

US D920,746 S

D436,804 S	1/2001	Wolfe	D537,676 S	3/2007	Kingsley
D437,187 S	2/2001	Cheng	D537,677 S	3/2007	Bresler
6,216,909 B1	4/2001	Lin	7,195,137 B2	3/2007	Belcastro
D441,288 S	5/2001	Pillers et al.	D540,124 S	4/2007	Ross
D442,833 S	5/2001	Shuman	7,201,285 B2	4/2007	Beggins
6,237,801 B1	5/2001	Liu	7,207,538 B2	4/2007	Kent-Fawkes
6,241,415 B1	6/2001	Stark	D547,611 S	7/2007	Seum et al.
D445,687 S	7/2001	Gilbertson	D548,012 S	8/2007	Tien
6,260,732 B1	7/2001	Khodush	D549,523 S	8/2007	Montes
D446,687 S	8/2001	Furman et al.	D552,932 S	10/2007	Carlson
D447,005 S	8/2001	Trombly	D553,440 S	10/2007	Bodum
6,332,557 B1	12/2001	Moran	D553,910 S	10/2007	Bodum
6,352,168 B1	3/2002	Lin	7,284,777 B1	10/2007	Kraemer
6,352,235 B2	3/2002	Cizek	D556,509 S	12/2007	Bonini
6,360,913 B1	3/2002	Bruinsma et al.	D557,564 S	12/2007	Bodum et al.
D455,047 S	4/2002	Wolfe et al.	D557,567 S	12/2007	Gronikowski et al.
D455,048 S	4/2002	Marck	D561,590 S	2/2008	Kingsley
D455,052 S	4/2002	Gullickson et al.	D562,072 S	2/2008	Wahl
D455,610 S	4/2002	Bridges	D564,356 S	3/2008	Nickleberry
D455,612 S	4/2002	Gullickson et al.	D565,900 S	4/2008	Franco
D455,613 S	4/2002	Bruinsma et al.	D565,901 S	4/2008	Edelstein et al.
D455,933 S	4/2002	Marck	D566,471 S	4/2008	Bodum
D456,578 S	4/2002	Smith et al.	D567,590 S	4/2008	Bodum
6,371,328 B1	4/2002	Yamada et al.	D568,685 S	5/2008	Bodum
D457,036 S	5/2002	Manuel	D569,183 S	5/2008	Blake
D457,245 S	5/2002	Royal et al.	H2217 H	6/2008	Smay et al.
D457,389 S	5/2002	Snell	D570,213 S	6/2008	Newman
6,392,206 B1	5/2002	Von Arx et al.	D572,136 S	7/2008	Boni
D458,081 S	6/2002	Bodum	D573,390 S	7/2008	Ablo
6,398,065 B1	6/2002	Lewis	D577,260 S	9/2008	Bodum
6,409,038 B1	6/2002	Karp	D585,245 S	1/2009	Brouillette
D460,895 S	7/2002	Lin	D586,182 S	2/2009	Trombly
D462,879 S	9/2002	Martens	D587,523 S	3/2009	Moon
6,450,363 B1	9/2002	Lin	D587,967 S	3/2009	Wahl
D463,715 S	10/2002	Dretzka	D588,497 S	3/2009	Claffey
D465,132 S	11/2002	Janky et al.	D588,912 S	3/2009	Christensen et al.
D466,371 S	12/2002	Parker	D592,015 S	5/2009	Carpenter
D466,814 S	12/2002	Hurlburt	D592,056 S	5/2009	Tedford, Jr.
D470,724 S	2/2003	Basara	D592,058 S	5/2009	Rapaport
D471,064 S	3/2003	Renz	7,527,310 B2	5/2009	Shaskey, Sr.
D471,763 S	3/2003	Hurlbut et al.	D593,372 S	6/2009	Carreno
D472,101 S	3/2003	Janky	D593,811 S	6/2009	Carreno
D472,145 S	3/2003	Nottingham et al.	D593,859 S	6/2009	Barnum
D473,105 S	4/2003	Ayers et al.	D594,687 S	6/2009	Bodum
D474,651 S	5/2003	Ward	D595,133 S	6/2009	Lewis
6,557,751 B2	5/2003	Puerini	D598,747 S	8/2009	Caldwell
D476,193 S	6/2003	Janky	D600,073 S	9/2009	Carreno
D476,528 S	7/2003	Janky et al.	D600,978 S	9/2009	Poindexter et al.
D477,185 S	7/2003	Janky	7,581,704 B1	9/2009	Pugsley
6,588,064 B2	7/2003	Baum	7,581,770 B2	9/2009	Jones
6,626,326 B2	9/2003	Murakami	7,604,270 B1	10/2009	McCarthy
D483,165 S	12/2003	Dretzka	D608,133 S	1/2010	Choi
D483,610 S	12/2003	Kerman	D609,534 S	2/2010	Traficante et al.
D483,995 S	12/2003	Otake	D610,006 S	2/2010	Ortell
D484,361 S	12/2003	Jeung	D610,176 S	2/2010	Nagamine et al.
6,658,701 B1	12/2003	DeHart et al.	7,686,183 B2	3/2010	Ziegler
6,685,047 B1	2/2004	Mott et al.	D613,554 S	4/2010	Koennecke
D488,673 S	4/2004	Farce	D615,366 S	5/2010	Berezansky
D489,574 S	5/2004	Copeland	D615,817 S	5/2010	George
D490,274 S	5/2004	Irvine	D616,248 S	5/2010	George
6,729,665 B1	5/2004	Posey et al.	D617,608 S	6/2010	Yang et al.
D493,068 S	7/2004	Slater et al.	D617,640 S	6/2010	Jones
D493,332 S	7/2004	Bin	D618,964 S	7/2010	Eisenhardt
D497,079 S	10/2004	Paggio	D621,667 S	8/2010	Ablo
D497,778 S	11/2004	Rich	D622,548 S	8/2010	Jensen et al.
D502,050 S	2/2005	Munson et al.	D622,554 S	8/2010	Carreno
D502,052 S	2/2005	Meade	D626,414 S	11/2010	Cresswell et al.
6,864,462 B2	3/2005	Sanoner et al.	D627,192 S	11/2010	Gilbert et al.
D507,155 S	7/2005	Gosen et al.	D629,657 S	12/2010	Carreno
6,962,265 B1	11/2005	Zhang	D629,691 S	12/2010	Cresswell et al.
D512,272 S	12/2005	Avrish	D631,699 S	2/2011	Moreau
D512,275 S	12/2005	Kent-Fawkes	D635,400 S	4/2011	Snyder
6,979,031 B2	12/2005	Coppotelli et al.	D635,401 S	4/2011	DelVecchio
D521,802 S	5/2006	Sands	D636,640 S	4/2011	Latham
D524,607 S	7/2006	Kent-Fawkes	D639,608 S	6/2011	Tohm, Sr.
D527,222 S	8/2006	Liu	D641,591 S	7/2011	Tsukida
D530,852 S	10/2006	Zheng	D643,289 S	8/2011	Harlan
D533,748 S	12/2006	Bresler	D648,599 S	11/2011	Watanabe et al.
D534,396 S	1/2007	Kramer	D649,836 S	12/2011	Dooley et al.

US D920,746 S

D650,232 S	12/2011	Gilbert	D734,096 S	7/2015	George et al.
D652,256 S	1/2012	Eyal	D740,073 S	10/2015	Zorovich et al.
D653,082 S	1/2012	George	D740,077 S	10/2015	Strepkoff
D655,134 S	3/2012	Gilbert	D740,618 S	10/2015	Knoll
D656,361 S	3/2012	Gilbert	D742,743 S	11/2015	Thurin et al.
D657,670 S	4/2012	Folos et al.	D743,207 S	11/2015	Pendleton et al.
D658,922 S	5/2012	Fallon et al.	D747,626 S	1/2016	Morris, II et al.
D659,474 S	5/2012	Wahl et al.	D747,929 S	1/2016	Arseneau et al.
D660,082 S	5/2012	Wahl	D751,341 S	3/2016	Seiders et al.
D660,084 S	5/2012	Gilbert	D752,397 S	3/2016	Seiders et al.
D660,655 S	5/2012	Wahl et al.	D754,536 S	4/2016	Arriaga
D663,169 S	7/2012	Beggins et al.	D759,483 S	6/2016	Jalet
D664,001 S	7/2012	Liu	D764,870 S	8/2016	Choi
8,225,957 B1	7/2012	Volan	D766,661 S	9/2016	Bodum
D665,491 S	8/2012	Goel et al.	D772,012 S	11/2016	Wampold
D666,061 S	8/2012	Ying	D773,250 S	12/2016	Miller
8,251,247 B1	8/2012	Breckner	D776,980 S	1/2017	Thun et al.
D669,735 S	10/2012	Wong	D779,285 S	2/2017	Seiders et al.
D670,525 S	11/2012	Fallon et al.	D779,891 S	2/2017	Seiders et al.
D675,063 S	1/2013	Wahl	D779,892 S	2/2017	Seiders et al.
D675,066 S	1/2013	Conlin et al.	D780,527 S	3/2017	Salaam
D675,100 S	1/2013	Herbst	D780,530 S	3/2017	Seiders et al.
8,364,542 B2	1/2013	Grauel et al.	D780,531 S	3/2017	Seiders et al.
D676,746 S	2/2013	Shaffer et al.	D780,532 S	3/2017	Seiders et al.
D679,949 S	4/2013	Meritt	D780,533 S	3/2017	Seiders et al.
D679,960 S	4/2013	Hopkins et al.	D782,878 S	4/2017	Thun et al.
D680,375 S	4/2013	Pousard et al.	D784,137 S	4/2017	Cates
D680,378 S	4/2013	Romley	D786,023 S	5/2017	Polack et al.
D680,387 S	4/2013	Hopkins et al.	D786,025 S	5/2017	Seiders et al.
D682,625 S	5/2013	Lane	D786,673 S	5/2017	Moffat
D682,626 S	5/2013	Lane	D787,893 S	5/2017	Seiders et al.
D684,459 S	6/2013	Stowe et al.	D790,272 S	6/2017	Plan
D684,819 S	6/2013	Smith	D791,543 S	7/2017	Mulhauser et al.
D685,231 S	7/2013	Lane	D793,172 S	8/2017	Medina
8,499,951 B1	8/2013	McDonald et al.	D795,007 S	8/2017	Plassmeyer
D691,421 S	10/2013	Jones	D795,643 S	8/2017	Barlow
D691,847 S	10/2013	Beckman	D797,510 S	9/2017	Ke
D693,176 S	11/2013	Kaiser	D798,112 S	9/2017	Godsey
D693,649 S	11/2013	Yeung	9,750,359 B2	9/2017	Kah, Jr.
D694,112 S	11/2013	Brown	D799,906 S	10/2017	Seiders et al.
D695,138 S	12/2013	Ball	D801,753 S	11/2017	Piper et al.
8,608,019 B2	12/2013	Wren	D802,977 S	11/2017	Bodum
D698,200 S	1/2014	Lauwagie	D803,001 S	11/2017	Bodum
D699,595 S	2/2014	Farrow et al.	D804,556 S	12/2017	Harada et al.
8,684,430 B1	4/2014	Brandon	D807,125 S	1/2018	Seiders et al.
D705,012 S	5/2014	Lapsker	D808,733 S	1/2018	Spivey et al.
D709,737 S	7/2014	Weinert et al.	D813,607 S	3/2018	Nally et al.
D709,738 S	7/2014	Weinert et al.	D814,243 S	4/2018	Pape
D710,155 S	8/2014	Tatsukawa	D820,046 S	6/2018	Seiders et al.
D710,698 S	8/2014	Giraud et al.	D822,440 S	7/2018	Kuh et al.
D711,684 S	8/2014	Perdomo	D827,381 S	9/2018	Boroski
D712,701 S	9/2014	Boroski	D830,788 S	10/2018	Petrillo et al.
D713,686 S	9/2014	Eyal	D832,050 S	10/2018	Diener et al.
D715,100 S	10/2014	Eyal	D839,676 S	2/2019	Seiders et al.
D715,101 S	10/2014	Grcic	D839,677 S	2/2019	Seiders et al.
D717,605 S	11/2014	Kristinik	2001/0023595 A1	9/2001	Kaposi
D717,606 S	11/2014	Kristinik	2002/0066758 A1	6/2002	Fadal et al.
D719,785 S	12/2014	Grcic	2003/0159245 A1	8/2003	Harman
D719,788 S	12/2014	Soltz et al.	2004/0000565 A1	1/2004	Nicholas
D720,187 S	12/2014	Romley	2004/0080930 A1	4/2004	Winters et al.
8,899,644 B2	12/2014	Hancey	2004/0149763 A1	8/2004	Chen
8,919,603 B2	12/2014	Greene	2004/0187265 A1	9/2004	Ho
D721,250 S	1/2015	Chen et al.	2005/0218109 A1	10/2005	Semersky et al.
D721,546 S	1/2015	Davidson	2006/0175506 A1	8/2006	Lan
D722,830 S	2/2015	Miller	2007/0114236 A1	5/2007	Shifter et al.
D724,385 S	3/2015	Hurley et al.	2007/0138188 A1	6/2007	Mace et al.
D727,688 S	4/2015	Hewitt et al.	2007/0295738 A1	12/2007	Hussain
D728,311 S	5/2015	Eyal	2008/0012368 A1	1/2008	Kent-Fawkes
D728,314 S	5/2015	Carstensen et al.	2008/0017654 A1	1/2008	Chu
D729,581 S	5/2015	Boroski	2008/0023434 A1	1/2008	Takayama
9,021,662 B1	5/2015	Jones	2008/0101056 A1	5/2008	Bhavnani
9,038,850 B1	5/2015	Wilson	2008/0237242 A1	10/2008	Gifford
D730,696 S	6/2015	Nemeth et al.	2009/0008399 A1	1/2009	Mayled et al.
D731,240 S	6/2015	Bell et al.	2009/0065469 A1	3/2009	McClellan et al.
D731,241 S	6/2015	Yessin et al.	2009/0200322 A1	8/2009	Hunter
D731,251 S	6/2015	Lane	2011/0204017 A1	8/2011	O'Sullivan
D732,338 S	6/2015	Boroski	2011/0233219 A1	9/2011	Proskey
D732,343 S	6/2015	Romley	2012/0074155 A1	3/2012	Yeung
D732,347 S	6/2015	Katterheinrich et al.	2012/0261408 A1	10/2012	White

2013/0098932	A1	4/2013	Hunt
2013/0186849	A1	7/2013	Iwashita
2014/0263368	A1	9/2014	Booska
2015/0041480	A1	2/2015	Ramsey
2015/0089964	A1	4/2015	Chung
2015/0108150	A1	4/2015	Garcia
2015/0108152	A1	4/2015	Franzen et al.
2015/0122828	A1	5/2015	Madala
2015/0164256	A1	6/2015	Helton
2015/0216343	A1	8/2015	Price
2015/0291316	A1	10/2015	Fietz
2016/0318692	A1	11/2016	Wilson
2017/0096258	A1	4/2017	Seiders et al.
2017/0259983	A1	9/2017	Tolman et al.
2017/0267408	A1	9/2017	Martinez
2018/0289186	A1	10/2018	Heiberger
2018/0305091	A1	10/2018	Krafft
2018/0312322	A1	11/2018	Canales Kell
2019/0307292	A1	10/2019	Haas

FOREIGN PATENT DOCUMENTS

CN	2059327	U	7/1990
CN	3606899		2/2007
CN	3681232		8/2007
CN	300754212		3/2008
CN	201208219	Y	3/2009
CN	300959563		7/2009
CN	300959564		7/2009
CN	300959565		7/2009
CN	301026132		9/2009
CN	301095376		12/2009
CN	301773772		12/2011
CN	202104668	U	1/2012
CN	202891397	U	4/2013
CN	302846604		6/2014
CN	302892949		7/2014
CN	303123979		3/2015
CN	303263048		7/2015
CN	303517025		12/2015
CN	304215274		7/2017
CN	304296007		9/2017
CN	304405160		12/2017
CN	304435767		1/2018
CN	304453288		1/2018
CN	304512433		2/2018
CN	304563902		4/2018
CN	304655117		6/2018
CN	304721141		7/2018
CN	304745435		7/2018
CN	304786699		8/2018
CN	305230085	S	12/2019
EM	000564778-0001		8/2006
EM	000775721-0001		9/2007
EM	001360911-0001		3/2013
EM	002939926-0001		1/2016
EM	004374155-0003		9/2017
EM	004742526-0001		4/2018
EM	005322914-0001		7/2018
EM	005322914-0002		7/2018
GB	3024951		7/2006
GB	5000865		4/2016
IN	250749-0001		8/2013
IN	263049-0001		3/2015
JP	HN08001596		12/1995
JP	1219538		10/2004
JP	1288694		12/2006
JP	1302290		6/2007
JP	1370441		10/2009
JP	1483261		11/2013
JP	D1483263		11/2013
JP	1546179	S	3/2016
JP	D2016-4373		11/2017
JP	30-0956050		5/2018
JP	1654103	S	3/2020
KR	200840850		2/2016
KR	300840850.0000		2/2016
KR	300905323.0000		5/2017

KR	3009075550001		5/2017
KR	300924542.0000		9/2017
KR	300933350.0000		11/2017
PH	3-2012-31-0001		5/2012
WO	D029764-033		8/1994
WO	0162614	A1	8/2001
WO	2006048119	A1	5/2006
WO	2011022857	A2	3/2011
WO	2012064184	A1	5/2012
WO	2013163725	A1	11/2013
WO	D094255-001		1/2017

OTHER PUBLICATIONS

<https://www.turbosquid.com/3d-models/mug-subdivided-max/692992>, Feb. 21, 2018.

https://www.amazon.com/InGwest-Active-Life-Bamboo-Coffee/dp/B01M8JSU2U/ref=sr_1_fkmmull_1?keywords=InGwest+Active+Life&qid=1553010206&s=gateway&sr=8-1-fkmmull (Year 2016).

https://www.amazon.com/dp/B016AX2Z6C/ref=psdc_602608_t2_B014JZM421 (Year 2015).

http://www.amazon.in/Mayur-Exports-Stainless-Coffee-Silver/dp/B01BGNVHKK/ref=sr_1_8?ie=UTF8&qid=1544130704&sr=8-8&keywords=Mayur+Exports+Stainless (Year: 2016).

Oct. 25, 2019, JP Office Action—App. No: 2019-002063.

Oct. 14, 2019—(CN) Office Action—App. 2019-30222054.6.

United States District Court Central District of California, “Complaint,” *Yeti Coolers, LLC v. 99 Cents Only Stores, LLC, a California limited liability company*, Case: 2:18-cv-04846, Document #45, filed Jan. 11, 2019, 253 pages.

United States District Court Central District of California, “Complaint,” *Yeti Coolers, LLC v. 99 Cents Only Stores, LLC and 99 Cents Only Stores California, llc.*, Case: 2:18-cv-04846, Document #45, filed Jan. 11, 2019, 253 pages.

United States District Court Western District of Texas Austin Division, “Complaint,” *Yeti Coolers, LLC v. Chilly Moose Ltd., and Schomberg Sheet Metal Limited*, Case: 1:19-cv-00834, Document #1, filed Aug. 23, 2019, 197 pages.

https://www.amazon.com/Culver-18-Ounce-Campfire-Ceramic-White/dp/B07CNVWPKK/ref=sr_1_fkmmr0_%201?keywords=Culver+18-Ounce+Tail+Campfire+Ceramic+Mug+Set+of+4+%28White%29%3A+Kitchen+%26+Dining&qid=1578077705&sr=8-1-fkmmr0 Culver Apr. 2018 (Year: 2018).

https://www.amazon.com/Townie-Insulated-Coffee-Double-Vacuum/dp/B07BB31PJ7/ref=sr_1_1?keywords=Maars+Drinkware+79716-1PK+14+oz+%7C+Double+Wall+Vacuum+Sealed+Tumbler+Travel+Friendly%2C+Compact+Size%2C+1+Pack%2C+Matcha+Green%3A+Home+%26+Kitchen&qid=1578083307&sr=8-1 Maars Mar. 2018 (Year: 2018).

https://www.amazon.com/American-Mug-Pottery-Ceramic-Square/dp/B06XRVL72/ref=sr_1_1?keywords=American+Mug+Pottery+Ceramic+Square+Handle+Coffee+Mug%2C+Made+in+USA%2C+Cobalt+Blue%2C+17+oz+Pack+of+2%3A+Coffee+Cups+%26+Mugs&qid=1578083413&sr=8-1 American Mug Pottery (Year: 2017).

United States District Court Western District of Texas, Austin Division, “Complaint,” *Yeti Coolers, LLC v. V-Rose Enterprise, LLC d/b/a Calavera Coolers*, Case 1:20-cv-00086, Document 1, filed Jan. 23, 2020, 40 pages.

Mar. 12, 2020—(JP) Office Action—App. Np. 2019-009860.

United States District Court Western District of Texas Austin Division, “Complaint,” *Yeti Coolers, LLC v. MyCrew, LLC, MyCrew Drinkware, LLC and NNRiverLife, LLC*, Case: 1:16-cv-01008, Document #1, filed Aug. 26, 2016, 29 pages.

United States District Court Western District of Texas Austin Division, “RTIC Drinkware’s First Amended Complaint for Declaratory Judgment,” *RTIC Drinkware, LLC v. Yeti Coolers, LLC*, Case: 1:16-cv-00907-RP, Document #52, filed Nov. 14, 2016, 124 pages.

United States District Court Western District of Texas Austin Division, “Yeti Coolers, LLC’s Answer to RTIC Drinkware’s First Amended Complaint,” *RTIC Drinkware, LLC v. Yeti Coolers, LLC*, Case: 1:16-cv-00907-RP, Document #58, filed Dec. 1, 2016, 15 pages.

United States District Court Western District of Texas Austin Division, “Yeti Coolers, LLC’s Answer to RTIC Drinkware LLC’s Complaint,” *RTIC Drinkware, LLC v. Yeti Coolers, LLC*, Case: 1:16-cv-00907-RP, Document #35, filed Aug. 3, 2016, 27 pages.

United States District Court for the Southern District of Texas Houston Division, “RTIC Drinkware’s Original Complaint for Declaratory Judgment, Damages, and Injunctive Relief,” *RTIC Drinkware, LLC v. Yeti Coolers, LLC*, Case: 4:16-cv-01201, Document #1, filed May 2, 2016, 58 pages.

United States District Court Western District of Texas Austin Division, “Order,” *RTIC Drinkware, LLC v. Yeti Coolers, LLC*, Case: 1:16-cv-00907-RP, Document #47, filed Oct. 13, 2016, 3 pages.

United States District Court Western District of Texas Austin Division, “Defendant RTIC Drinkware, LLC, RTIC Web Services, LLC, Corporate Support & Fulfillment, LLC, John Jacobsen, and James Jacobsen’s Answer and counterclaims to Yeti’s First Amended Complaint for Damages and Injunctive Relief,” *Yeti Coolers, LLC v. RTIC coolers, LLC, RTIC Drinkware, LLC, RTIC Web Services, LLC, Corporate Support & Fulfillment, LLC; John Jacobsen; and James Jacobsen*, Case: 1:16-cv-00264-RP, Document #25, filed Jun. 13, 2016, 42 pages.

United States District Court Western District of Texas Austin Division, “Complaint,” *Yeti Coolers, LLC v. RTIC Coolers, LLC*, Case: 1:16-cv-00264, Document #1, filed Mar. 2, 2016, 34 pages.

United States District Court Western District of Texas Austin Division, “Yeti Coolers, LLC’s Answer to RTIC Drinkware, LLC’s, RTIC Web Services, LLC’s, Corporate Support & Fulfillment, LLC’s, John Jacobsen’s, and James Jacobsen’s Counterclaims,” *Yeti Coolers, LLC v. RTIC Coolers, LLC, RTIC Drinkware, LLC, RTIC Web Services, LLC, Corporate Support & Fulfillment, LLC, John Jacobsen, and James Jacobsen*, Case: 1:16-cv-00264-RP, Document #31, filed Jul. 7, 2016, 7 pages.

United States District Court Western District of Texas Austin Division, “First Amended Complaint,” *Yeti Coolers, LLC v. Sam’s West, Inc., and Sam’s East, Inc.*, Case: 1:16-cv-00829-RP, Document #32, filed Jan. 9, 2017, 24 pages.

United States District Court Western District of Texas Austin Division, “Defendants Sam’s West, Inc. and Sam’s East, Inc.’s Answer to Complaint,” *Yeti Coolers, LLC v. Sam’s West, Inc., and Sam’s East, Inc.*, Case: 1:16-cv-00829-RP, Document #16, filed Aug. 26, 2016, 11 pages.

United States District Court Western District of Texas Austin Division, “Complaint,” *Yeti Coolers, LLC v. Sam’s West, Inc., and Sam’s East, Inc.*, Case: 1:16-cv-00829, Document #1, Jun. 30, 2016, 21 pages.

United States District Court Western District of Texas Austin Division, “First Amended Complaint,” *Yeti Coolers, LLC v. Sic Products LLC, d/b/a Sic Cups, d/b/a Sic*, Case: 1:16-cv-00117-RP, Document #34, Nov. 21, 2016, 25 pages.

United States District Court Western District of Texas Austin Division, “Sic Products, LLC’s Answer, Affirmative Defenses, and Counterclaims to Plaintiff’s Amended Complaint,” *Yeti Coolers, LLC v. Sic Products LLC, d/b/a Sic Cups, d/b/a Sic*, Case: 1:16-cv-00117-RP, Document #35, Dec. 5, 2016, 81 pages.

United States District Court Western District of Texas Austin Division, “Sic Products, LLC’s Answer, Affirmative Defenses, and Counterclaims to Plaintiff’s Complaint,” *Yeti Coolers, LLC v. Sic Products LLC, d/b/a Sic Cups, d/b/a Sic*, Case: 1:16-cv-00117-RP, Document #14, Jun. 3, 2016, 38 pages.

United States District Court Western District of Texas Austin Division, “Complaint,” *Yeti Coolers, LLC v. Sic Products LLC, d/b/a Sic Cups, d/b/a Sic*, Case: 1:16-cv-00117-RP, Document #1, Feb. 4, 2016, 23 pages.

United States District Court Western District of Texas Austin Division, “Yeti Coolers, LLC’s Answer to Sic Products, LLC Counterclaims,” *Yeti Coolers, LLC v. Sic Products LLC, d/b/a Sic Cups, d/b/a Sic*, Case: 1:16-cv-00117-RP, Document #21, Sep. 29, 2016, 15 pages.

United States District Court Western District of Texas Austin Division, “Yeti Coolers, LLC’s Answer to Sic Products, LLC Counterclaims to Yeti Coolers, LLC’s Amended Complaint,” *Yeti*

Coolers, LLC v. Sic Products LLC, d/b/a Sic Cups, d/b/a Sic, Case: 1:16-cv-00117-RP, Document #38, Dec. 19, 2016, 20 pages.

United States District Court Western District of Texas Austin Division, “Complaint,” *Yeti Coolers, LLC v. The Allen Company, d/b/a Allen Color Craft*, Case: 1:15-cv-00888-RP, Document #1, Oct. 6, 2015, 24 pages.

United States District Court Western District of Texas Austin Division, “Complaint,” *Yeti Coolers, LLC v. Titan Custom Products, Inc.*, Case: 1:15-cv-00775, Document #1, Sep. 2, 2015, 22 pages.

United States District Court Western District of Texas Austin Division, “Answer,” *Yeti Coolers, LLC v. Tree Leaf Marketing, LLC d/b/a Big Frig*, Case: 1:16-cv-00699-RP, Document #11, Oct. 21, 2016, 8 pages.

United States District Court Western District of Texas Austin Division, “Complaint,” *Yeti Coolers, LLC v. Tree Leaf Marketing, LLC d/b/a Big Frig*, Case: 1:16-cv-00699, Document #1, Jun. 17, 2016, 33 pages.

United States District Court Western District of Texas Austin Division, “Complaint,” *Yeti Coolers, LLC v. US Imprints, LLC, d/b/a GOimprints*, Case: 1:15-cv-00773, Document #1, Sep. 2, 2015, 22 pages.

United States District Court Western District of Texas Austin Division, “Order,” *Yeti Coolers, LLC v. US Imprints, LLC, d/b/a GOimprints*, Case: 1:15-cv-00773-RP, Document #23, Apr. 25, 2016, 1 page.

United States District Court Western District of Texas Austin Division, “Veterinary Internet Company, LLC d/b/a VetInternetCo’s Answer to Plaintiff’s Complaint,” *Yeti Coolers, LLC v. Polar Pad LLC, d/b/a Polar Drifter, d/b/a Polar Pad, and Veterinary Internet Company, LLC, d/b/a VetInternetCo*, Case: 1:16-cv-00677-RP, Document #11, Aug. 19, 2016, 12 pages.

United States District Court Western District of Texas Austin Division, “Complaint,” *Yeti Coolers, LLC v. Polar Pad LLC, d/b/a Polar Pad Drifter, d/b/a Polar Pad, and Veterinary Internet Company, LLC, d/b/a VetInternetCo*, Case: 1:16-cv-00128, Document #1, Feb. 12, 2016, 24 pages.

United States District Court Western District of Texas Austin Division, “Complaint,” *Yeti Coolers, LLC v. Polar Pad LLC, d/b/a Polar Pad Drifter, d/b/a Polar Pad, and Veterinary Internet Company, LLC, d/b/a VetInternetCo*, Case: 1:16-cv-00677, Document #1, Jun. 10, 2016, 25 pages.

United States District Court Western District of Texas Austin Division, “Order,” *Yeti Coolers, LLC v. Polar Pad LLC, d/b/a Polar Pad Drifter, d/b/a Polar Pad, and Veterinary Internet Company, LLC, d/b/a VetInternetCo*, Case: 1:16-cv-00128-RP, Document #17, Jun. 17, 2016, 1 page.

United States District Court Western District of Texas Austin Division, “[Proposed] Order Granting Stipulated Motion to Dismiss Defendant Polar Pad, LLC, Without Prejudice, Pursuant to Fed. R. Civ. P. 21,” *Yeti Coolers, LLC v. Polar Pad LLC, d/b/a Polar Pad Drifter, d/b/a Polar Pad, and Veterinary Internet Company, LLC, d/b/a VetInternetCo*, Case: 1:16-cv-00677-RP, Document #14, Sep. 15, 2016, 1 page.

United States District Court Western District of Texas Austin Division, “Complaint,” *Yeti Coolers, LLC v. Vickery Products, LLC d/b/a Axis Cups, f/d/b/a Frio Cups*, Case: 1:17-cv-00260, Document #1, Mar. 24, 2017, 52 pages.

United States District Court Western District of Texas Austin Division, “First Amended Complaint,” *Yeti Coolers, LLC v. Wal-Mart Stores, Inc. And Olympia Tools International, Inc.*, Case: 1:16-cv-00454-RP, Document #17, May 24, 2016, 26 pages.

United States District Court Western District of Texas Austin Division, “Complaint,” *Yeti Coolers, LLC v. Wal-Mart Stores, Inc.*, Case: 1:16-cv-00454, Document #1, Apr. 8, 2016, 29 pages.

United States District Court Western District of Texas Austin Division, “Olympia Tools International, Inc.’s Answer to Yeti Coolers, LLC’s First Amended Complaint,” *Yeti Coolers, LLC v. Wal-Mart Stores, Inc. And Olympia Tools International, Inc.*, Case: 1:16-cv-00454-RP, Document #28, Jul. 14, 2016, 12 pages.

United States District Court Western District of Texas Austin Division, “Wal-Mart Stores, Inc.’s Answer to First Amended Com-

plaint,” *Yeti Coolers, LLC v. Wal-Mart Stores, Inc. and Olympia Tools International, Inc.*, Case: 1-16-cv-00454-RP, Document #22, Jun. 7, 2016, 13 pages.

United States District Court Western District of Texas Austin Division, “Plaintiffs’ Complaint for Damages and Injunctive Relief,” *Yeti Coolers, LLC v. Seth Stevens d/b/a SDS Marketing d/b/a Eskimo Coolers, Panther Group LLC d/b/a/ Eskimo Coolers, Panther Group Sales, LLC d/b/a Eskimo Coolers, and Silver Fox Sales, LLC*, Case 1:17-cv-00423, Document 1, filed May 5, 2017, 283 pages.

United States District Court Western District of Texas Austin Division, “Second Amended Complaint,” *Yeti Coolers, LLC v. Sam’s West, Inc., and Sam’s East, Inc., and CY Top, Ltd.*, Case: 1:16-cv-00829-RP, Document #51, filed Sep. 22, 2017, 49 pages.

United States District Court Western District of Texas Austin Division, “Complaint,” *Yeti Coolers, LLC v. Bonanza.com, Inc.*, Case 1:17-cv-00935, Document #1, filed Sep. 28, 2017, 142 pages.

United States District Court Western District of Texas Austin Division, “Complaint,” *Yeti Coolers, LLC v. Alibaba Group Holding Limited, Alibaba (China) Technology Co., Ltd., Alibaba.com Hong Kong Limited, Alibaba.com Singapore E-Commerce Private Limited, Hangzhou Alibaba Advertising Co. Ltd., and Huizhou Dashu Trading Co., Ltd.*, Case: 1:17-cv-00936, Document #1, filed Sep. 28, 2017, 272 pages.

United States District Court Western District of Texas Austin Division, “Complaint,” *Yeti Coolers, LLC v. ContextLogic, Inc. d/b/a/ Wish.com*, Case 1:17-cv-00937, Document #1, filed Sep. 28, 2017, 238 pages.

United States District Court Western District of Texas Austin Division, “Complaint,” *Yeti Coolers, LLC v. Dunhuang Group, SZ Flowerfairy Technology Co., Ltd., Tan Er Pa Technology Co., Ltd., Shenzhen Great Electronic Technology Co., Ltd., and Huagong Trading Co.*, Case 1:17-cv-00938, Document #1, filed Sep. 28, 2017, 272 pages.

United States District Court Western District of Texas Austin Division, “Defendant Kelly Scoggins d/b/a King Engraving’s Memorandum in Support of Rule 12(b)(6) Motion to Dismiss and Motion to Take Judicial Notice,” *Yeti Coolers, LLC v. JDS Industries, Inc., Lionel Landry Jr., d/b/a/ Accolades d/b/a Accolades Awards & Engraving, Creative and Fast LLC d/b/a Promotional Products San Antonio, Kelly Scoggins d/b/a King Engraving*, Case 1:17-cv-00424-RP, Document #65, filed Aug. 11, 2017, 28 pages.

United States District Court Western District of Texas Austin Division, “Defendant Kelly Scoggins d/b/a/ King Engraving’s Reply in Support of Rule 12(b)(6) Motion to dismiss,” *Yeti Coolers, LLC v. JDS Industries, Inc., Lionel Landry Jr., d/b/a/ Accolades d/b/a Accolades Awards & Engraving, Creative and Fast LLC d/b/a Promotional Products San Antonio, Kelly Scoggins d/b/a/ King Engraving*, Case: 1:17-cv-00424-RP, Document #75, filed Sep. 1, 2017, 26 pages.

United States District Court Western of Texas Austin Division, “Complaint,” *Yeti Coolers, LLC v., Wal-Mart Stores, Inc.*, Case: 1:17-cv-01145, Document #1, filed Dec. 8, 2017, 98 pages.

United States International Trade Commission, “Respondents Alibaba, Dunhuang Group, and Bonanza.com’s Notice of Prior Art,” In the Matter of: Certain Insulated Beverage Containers, Components, Labels, and Packaging Materials Thereof, Inv. No. 337-TA-1084, filed Feb. 9, 2018, 8 pages.

United States International Trade Commission, “Respondent Contextlogic, Inc.’s Notice of Prior Art,” In the Matter of: Certain Insulated Beverage Containers, Components, Labels, and Packaging Materials Thereof, Inv. No. 337-TA-1084, filed Feb. 9, 2018, 15 pages.

United States International Trade Commission, “The Commission Investigative Staffs Notice of Prior Art” In the Matter of: Certain Insulated Beverage Containers, Components, Labels, and Packaging Materials Thereof, Inv. No. 337-TA-1084, filed Feb. 9, 2018, 4 pages.

Yeti Rambler Colster Beverage Holder [online], [retrieved Feb. 1, 2018] Retrieved from the Internet, URL: <<https://kevinscatalog.com/yeti-colster-beverage-holder-44-1064>>, 4 color pages, published date unknown, but for purposes of patent prosecution prior to the filing date of the present application.

Firm Grip: The 15 Coolest Beer Koozies [online], [retrieved Mar. 16, 2018], Retrieved from the Internet, URL: <<<http://hiconsumption.com/2014/01/firm-grip-the-15-coolest-beer-koozies/>>>, 10 color pages, published date unknown, but for purposes of patent prosecution prior to the filing date of the present application.

Thermos Stainless Steel Can Insulator [online], [retrieved Mar. 19, 2018], Retrieved from the Internet, URL: <<<https://www.youtube.com/watch?v=p8pV3BhAOiU>>>, 1 color page, published on Oct. 8, 2008.

“Hooler the handheld cooler”, published on Apr. 12, 2014, retrieved from <https://web.archive.org/web/20140412062054/http://www.hoolercooler.com/> on Aug. 4, 2015.

United States District Court Western District of Texas Austin Division, “Complaint for Damages and Injunctive Relief,” *Yeti Coolers, LLC v. Jennifer Leverne Bootz Evans d/b/a Bling and Burlap Buy in’s and Blanks*, Case: 1:15-cv-00995, Document #1, filed Nov. 2, 2015, 128 pages.

United States District Court Western District of Texas Austin Division, “Order Dismissing Case,” *Yeti Coolers, LLC v. Jennifer Leverne Bootz Evans d/b/a Bling and Burlap Buy in’s and Blanks*, Case: 1:15-cv-00995-RP, Document #18, filed Apr. 18, 2016, 1 page.

United States District Court Western District of Texas Austin Division, “Complaint for Damages and Injunctive Relief,” *Yeti Coolers, LLC v. RTIC Coolers, LLC*, Case: 1:16-cv-00264, Document #1, filed Mar. 2, 2016, 34 pages.

United States District Court Western District of Texas Austin Division, “Defendants’ Answer and Counterclaims to Yeti’s First Amended Complaint for Damages and Injunctive Relief,” *Yeti Coolers, LLC v. RTIC Coolers, LLC, RTIC Drinkware, LLC, RTIC Web Services, LLC, Corporate Support & Fulfillment, LLC*, John Jacobsen, and James Jacobsen, Case: 1:16-cv-00264-RP, Document #25, filed Jun. 13, 2016, 42 pages.

United States District Court Western District of Texas Austin Division, “Yeti Coolers, LLC’s First Amended Complaint,” *Yeti Coolers, LLC v. RTIC Coolers, LLC, RTIC Drinkware, LLC, RTIC Web Services, LLC, Corporate Support & Fulfillment, LLC, John Jacobsen, and James Jacobsen*, Case: 1:16-cv-00264-RP, Document #15, filed May 16, 2016, 110 pages.

United States District Court Western District of Texas Austin Division, “Complaint for Damages and Injunctive Relief,” *Yeti Coolers, LC v. Tree Leaf Marketing, LLC, d/b/a Big Frig*, Case: 1:16-cv-00699, Document #1, filed Jun. 17, 2016, 33 pages.

United States District Court Western District of Texas Austin Division, “Complaint for Damages and Injunctive Relief,” *Yeti Coolers, LLC v. Wal-Mart Stores, Inc.*, Case: 1:16-cv-00454, Document #1, filed Apr. 8, 2016, 29 pages.

United States District Court Western District of Texas Austin Division, “Joint Rule 26(f) Report and Discovery Plan,” *Yeti Coolers, LLC v. Wal-Mart Stores, Inc. and Olympia Tools International, Inc.*, Case: 1:16-cv-00454-RP, Document #29, filed Jul. 28, 2016, 8 pages.

United States District Court Western District of Texas Austin Division, “Olympia Tools International, Inc.’s Answer to Yeti Coolers, LLC’s First Amended Complaint,” *Yeti Coolers, LLC v. Wal-Mart Stores, Inc. and Olympia Tools International, Inc.*, Case: 1:16-cv-00454-RP, Document #28, filed Jul. 14, 2016, 12 pages.

United States District Court Western District of Texas Austin Division, “Wal-Mart Stores, Inc.’s Answer to First Amended Complaint,” *Yeti Coolers, LLC v. Wal-Mart Stores, Inc. and Olympia Tools International, Inc.*, Case: 1:16-cv-00454-RP, Document #22 filed Jun. 7, 2016, 13 pages.

United States District Court Western District of Texas Austin Division, “First Amended Complaint for Damages and Injunctive Relief,” *Yeti Coolers, LLC v. Wal-Mart Stores, Inc. and Olympia Tools International, Inc.*, Case: 1:16-cv-00454-RP, Document #17, filed May 24, 2016, 26 pages.

“Siskiyou Sports CCS48F Oklahoma Sooners Flame Can Cooler”, published on Jul. 9, 2014, retrieved from <<http://www.sears.com/siskiyou-sports-ccs48f-oklahoma-sooners-flame-can-cooler/p-SPM7376348303>> on Sep. 16, 2016.

“Mini Keg Coozies! Beer Inside Kegs!”, published by Chad Dukes on Dec. 18, 2013, retrieved from <<http://beerandpig.com/category/beer/page/2/>> on Sep. 16, 2016.

“Stainless Steel Can Cooler”, published on Apr. 6, 2014, retrieved from <<http://www.belpromo.com/nd/detail.php?c=34&p=KZSS001&s=mvp23g56>> on Sep. 22, 2016.

“Stanley Vacuum Insulated Container—Thermos bottle”, published on Feb. 24, 2012, retrieved from <<https://www.youtube.com/watch?v=UCMAZiNU3o>> on Sep. 23, 2016.

United States District Court Western District of Texas Austin Division, “Complaint for Damages and Injunctive Relief,” *Yeti Coolers, LLC v. Magnum Solace LLC*, Case: 1:16-cv-00663-RP, Document #1, filed Jun. 7, 2016, 24 pages.

United States District Court Western District of Texas Austin Division, “Joint Rule 26(f) Report and Discovery Plan,” *Yeti Coolers, LLC v. RTIC Coolers, LLC, RTIC Drinkware, LLC, RTIC Web Services, LLC, Corporate Support & Fulfillment, LLC, John Jacobsen, and James Jacobsen*, Case: 1:16-cv-00264-RP, Document #26, filed Jun. 23, 2016, 1 pages.

United States District Court Western District of Texas Austin Division, “Defendant’s Rule 12(B)(6) Motion to Dismiss,” *Yeti Coolers, LLC v. Magnum Solace LLC*, Case: 1:16-cv-00663-RP, Document #10, filed Aug. 5, 2016, 30 pages.

United States District Court Western District of Texas Austin Division, “Yeti’s Opposition to Defendant’s Motion to Dismiss,” *Yeti Coolers, LLC v. Magnum Solace LLC*, Case: 1:16-cv-00663-RP, Document #12, filed Aug. 19, 2016, 47 pages.

United States District Court Western District of Texas Austin Division, “Complaint for Damages and Injunctive Relief,” *Yeti Coolers, LLC v. MyCrew, LLC, MyCrew Drinkware, LLC, and NNRiverLife, LLC*, Case: 1:16-cv-01008, Document #1, filed Aug. 26, 2016, 29 pages.

United States District Court Western District of Texas Austin Division, “Defendant’s Reply in Support of its Rule 12(B)(6) Motion to Dismiss,” *Yeti Coolers, LLC v. Magnum Solace LLC*, Case: 1:16-cv-00663-RP, Document #13, filed Aug. 29, 2016, 18 pages.

United States District Court Western District of Texas Austin Division, “Yeti’s Supplemental Brief in Opposition to Magnum’s Motion to Dismiss,” *Yeti Coolers, LLC v. Magnum Solace LLC*, Case: 1:16-cv-00663-RP, Document #16, filed Sep. 27, 2016, 7 pages.

United States District Court Western District of Texas Austin Division, “Defendant’s Opposed Motion for a Protective Order and Stay of Discovery,” *Yeti Coolers, LLC v. Magnum Solace LLC*, Case: 1:16-cv-00663-RP, Document #17, filed Oct. 3, 2016, 47 pages.

United States District Court Western District of Texas Austin Division, “Yeti’s Opposition to Magnum’s Motion for a Protective Order and Stay of Discovery,” *Yeti Coolers, LLC v. Magnum Solace LLC*, Case: 1:16-cv-00663-RP, Document #20, filed Oct. 11, 2016, 16 pages.

United States District Court Western District of Texas Austin Division, “Defendant’s Reply in Support of its Motion for a Protective Order and Stay of Discovery,” *Yeti Coolers, LLC v. Magnum Solace LLC*, Case: 1:16-cv-00663-RP, Document #22, filed Oct. 18, 2016, 5 pages.

JPO Reference No. HJ20071600.

English translation of Office Action dated Oct. 18, 2016 for JP Application No. 2016-004373, 3 pages.

United States District Court Western District of Texas Austin Division, “Complaint,” *Yeti Coolers, LLC v. Imagen Brands, LLC, d/b/a Crown Products, and Ebsco Industries, Inc.*, Case 1:16-cv-00578-RP, Document #1, filed May 16, 2016, 20 pages.

United States District Court Western District of Texas Austin Division, “Defendants’ Motion to Dismiss Pursuant to Rule 12(b)(6),” *Yeti Coolers, LLC v. Imagen Brands, LLC, d/b/a Crown Products, and Ebsco Industries, Inc.*, Case 1:16-cv-00578-RP, Document #8, filed Oct. 4, 2016, 27 pages.

United States District Court Western District of Texas Austin Division, “Defendants’ Answer to Plaintiffs Complaint and Affirmative Defenses,” *Yeti Coolers, LLC v. MyCrew, LLC, MyCrew*

Drinkware, LLC and NNRiverLife, LLC, Case 1:16-cv-01008-RP, Document #14, filed Nov. 29, 2016, 12 pages.

United States District Court Western District of Texas Austin Division, “Answer,” *Yeti Coolers, LLC v. Tree Leaf Marketing, LLC, d/b/a Big Frig*, Case: 1:16-cv-00699, Document #11, filed Oct. 21, 2016, 8 pages.

“Yeti Press Release—Rambler Lowball”, published on Jul. 15, 2015, retrieved from <<http://yeti.com/press-releases/yeti-coolers-unveils-new-rambler-lowball>> on Mar. 14, 2017.

“Bekith Kids Water Mugs Stainless Steel Drinking Cups Double Wall Food Grade Durable Safe—Set of 2”, published date unknown but at least as early as Mar. 14, 2017, retrieved from <https://www.amazon.com/Bekith-Stainless-Drinking-Double-Durable/dp/B019JNKG7A/ref=pd_sim_79_5?encoding=UTF8&psc=1&refRID=ZP054HJK7VYT6T39DSYN> on Mar. 14, 2017.

“Camp Cup”, published date unknown but at least as early as Mar. 13, 2017, retrieved from <<https://www.muir.com/collections/camp/products/campcup>> on Mar. 13, 2017.

“Chinook Timberline Double-wall 12.5 Ounces Mug”, published date unknown but at least as early as Mar. 14, 2017, retrieved from <https://www.amazon.com/Chinook-Timberline-Double-wall-12-5-Ounces/dp/B0026ICO8U/ref=pd_sim_79_3?encoding=UTF8&psc=1&refRID=C586FMMXYCY44F2AZCJB> on Mar. 14, 2017.

“Double Wall Copper Coffee Mug”, published date unknown but at least as early as Mar. 14, 2017, retrieved from <http://www.williamssonoma.com/products/1614242/?catalogId=27&sku=1614242&cm_ven=Google_PLA&cm_cat=Shopping&cm_pla=default&cm_ite=default&kwid=productads-adid%5E45527543503-device%5Ecplaid%5E83089551703-sku%5E1614242-adType%5EPLA&gclid=CIGFx4v9g9ECFYeEsw> on Mar. 14, 2017.

“Double Wall Stainless Steel Beer Mug”, published date unknown but at least as early as Mar. 14, 2017, retrieved from <<https://www.vat19.com/item/stainless-steel-beer-mug>> on Mar. 14, 2017.

“Woodcraft 15oz Shop Mug Insulated Stainless Steel”, published date unknown but at least as early as Mar. 14, 2017, retrieved from <https://www.amazon.com/Woodcraft-15oz-Insulated-Stainless-Steel/dp/B004TQGH0S/ref=pd_sim_79_3?encoding=UTF8&psc=1&refRID=EYMWNTJCKACXEY8YGJMJ> on Mar. 14, 2017.

“Yeti Press Release—Rambler Colster”, published on Jan. 8, 2015, retrieved from <<http://yeti.com/press-releases/rambler-colster>> on Mar. 27, 2017.

Alexander, Emmet, “Removable Bicycle Cup Holder by Bookman”, posted Mar. 23, 2014 online, retrieved Jun. 6, 2016 from Internet, URL: <http://coolmensgear.com/removable-bicycle-cup-holder/>.

“Meyers California Rainbow Mug With Removable Wood Metal Handle”, retrieved from Internet on Jun. 6, 2016; URL: <https://www.pinterest.com/pin/148618856430252325/>.

“Tervis Tumbler Black 24 Oz. Handle”, retrieved from Internet Jun. 6, 2016; URL: <http://www.amazon.com/Tervis-Tumbler-Black-24oz-Handle/dp/B004VVHORG>.

Purdum, Sandra, “Mug or Tumbler Metal Handles Spare Parts”, retrieved from Internet Jun. 6, 2016; URL: https://www.etsy.com/. . . r-tumbler-metalhandles-spare-parts?ga_order=most_relevant&ga_search_type=all&ga_view_type=gallery&ga_search_query=metal%20handled%20mugs&ref=sr_gallery_8.

“Red Removable Handle 16-Oz. Travel Tumbler”, retrieved from Internet Jun. 6, 2016, URL: <http://www.zulily.com/p/red-removable-handle-16-oz-travel-tumbler-120715-7353259.html>.

Pictures of Great American Products Tumbler, published date unknown, but prior to the filing date of the present application.

Photographic image of Yeti 30oz Rambler Tumbler, published date unknown, but prior to the filing date of the present application.

Second photographic image of Yeti 30oz Rambler Tumbler, published date unknown, but prior to the filing date of the present application.

Promotional Items, Inc., “Stainless Steel 14oz. Deluxe Coffee Insulated Tumbler Lid”, retrieved from <http://www.promotional-items-inc.com/catalog/stainless_steel_18oz_commuter_coffee_mug_lid.html> on Aug. 27, 2015.

Custom Ventura Travel Tumbler—Promotional Travel Mugs at 4imprint [online], [retrieved Mar. 19, 2018], Retrieved from the Internet, URL: <<<https://www.youtube.com/watch?v=e8okCU8DaP4>>>, 2 color page, published on Dec. 19, 2014.

15 Oz. Stainless Steel Double Wall Tumbler [online], [retrieved Mar. 19, 2018], Retrieved from the Internet, URL: <<<https://www.4allpromos.com/product/15-oz-stainless-steel-double-wall-tumbler>>>, 5 color pages, published date unknown, but for purposes of patent prosecution prior to the filing date of the present application.

Personalized Color Touch Stainless Tumbler—Promotional Travel Mugs by 4imprint [online], [retrieved Mar. 19, 2018], Retrieved from the Internet, URL: <<<https://www.youtube.com/watch?v=v7TLpRMCFlw>>>, 1 color page, published on Dec. 18, 2014.

15 oz. Stainless Steel Tumbler—Custom Promotional Coffee Tumblers from InkHead.com [online], [retrieved Mar. 19, 2018], Retrieved from the Internet, URL: <<<https://www.youtube.com/watch?v=vywesydY6xs>>>, 1 color page, published on Jul. 11, 2011.

Reflections Metallic Tumbler [online], [retrieved Mar. 19, 2018], Retrieved from the Internet, URL: <<<https://www.youtube.com/watch?v=cNT6h4cKfAs>>>, 1 color page, published on Jan. 9, 2014.

Swag Standard | Seaside 15-oz. Travel Mug [online], [retrieved Mar. 19, 2018], Retrieved from the Internet, URL: <https://www.youtube.com/watch?v=cb58zm_PSOo>, 1 color page, published on Mar. 3, 2015.

Logo Coffee Mugs—Stainless Steel Tumbler w/ Color Trim—Marco [online], [retrieved Mar. 19, 2018], Retrieved from the Internet, URL: <<https://www.youtube.com/watch?v=2k72dgsWJy8>>, 1 color page, published on Apr. 21, 2014.

Promotional Cups—14 oz. Ventura Double Wall Travel Tumblers—Marco [online], [retrieved Mar. 19, 2018], Retrieved from the Internet, URL: <<<https://www.youtube.com/watch?v=QAkt5lll5J4>>>, 1 color page, published on May 9, 2014.

SnapSeal Byron Travel Mug [online], [retrieved Mar. 19, 2018], Retrieved from the Internet, URL: <<<https://www.youtube.com/watch?v=dL1ldCz1LD0>>>, 1 color page, published on Feb. 13, 2014.

Review of the Starbucks “Clip and Sip” Travel Coffee Mug [online], [retrieved Mar. 19, 2018], Retrieved from the Internet, URL: <<<https://www.youtube.com/watch?v=6DfWKHLelb4>>>, 1 color page, published on Nov. 13, 2014.

Stainless Steel Curvy Tumbler (16 Oz.)—Q11830 [online], [retrieved Mar. 19, 2018], Retrieved from the Internet, URL: <<<https://www.youtube.com/watch?v=8UCmHszwMLY>>>, 1 color page, published on Jul. 8, 2012.

Best Tumbler Thermos Mug for caffe latte or messy drink: Starbucks Reserve Stainless Steel [online], [retrieved Mar. 19, 2018], Retrieved from the Internet, URL: <<<https://www.youtube.com/watch?v=h2IWzV6wVbk>>>, 1 color page, published on Oct. 22, 2014.

CamelBak Forge Travel Mugs | Crew Review [online], [retrieved Mar. 19, 2018], Retrieved from the Internet, URL: <<<https://www.youtube.com/watch?v=XuR0u3OEndY>>>, 1 color page, published on Jul. 23, 2015.

Autoseal West Loop Stainless Travel Mug with Easy-Clean Lid [online], [retrieved Mar. 19, 2018], Retrieved from the Internet, URL: <<<https://www.youtube.com/watch?v=bClubrvh2zs>>>, 1 color page, published on Feb. 6, 2014.

Stainless King Food Jar Youtube.wmv [online], [retrieved Mar. 19, 2018], Retrieved from the Internet, URL: <<https://www.youtube.com/watch?v=RGHArOT_rEs>>, 1 color page, published on Oct. 20, 2010.

Thermos Food Jar Review [online], [retrieved Mar. 19, 2018], Retrieved from the Internet, URL: <<<https://www.youtube.com/watch?v=3esAaqKc4po>>>, 1 color page, published on Jan. 26, 2013.

Thermos Infant [online], [retrieved Mar. 19, 2018], Retrieved from the Internet, URL: <<<https://www.youtube.com/watch?v=vUf2MPVSODM>>>, 1 color page, published on May 14, 2013.

Promo Travel Mugs—16 oz. Double Wall Stainless Steel Tumbler—Marco [online], [retrieved Mar. 19, 2018], Retrieved from the Internet, URL: <<<https://www.youtube.com/watch?v=sanCJS5rtig>>>, 1 color page, published on Nov. 21, 2012.

Contigo Autoseal Stainless Steel Vacuum Insulated Tumbler Travel Mug Full Review [online], [retrieved Mar. 19, 2018], Retrieved from the Internet, URL: <<<https://www.youtube.com/watch?v=O2aiMQmjlFg>>>, 1 color page, published on Sep. 16, 2012.

ChillingTheMost.com Houston Boat Show 2014 [online], [retrieved Mar. 19, 2018], Retrieved from the Internet, URL: <<<https://www.youtube.com/watch?v=1vUQ43gVL38>>>, 1 color page, published on Aug. 29, 2014.

2012 Tampa Boat Show—Chilling the Most [online], [retrieved Mar. 19, 2018], Retrieved from the Internet, URL: <<<https://www.youtube.com/watch?v=IWgIdQcYz48>>>, 1 color page, published on Oct. 1, 2012.

Contigo Autoseal Spill-Proof Travel Mug Review and Giveaway [online], [retrieved Mar. 19, 2018], Retrieved from the Internet, URL: <<<https://www.makeuseof.com/tag/contigo-autoseal-spill-proof-travel-mug-review-and-giveaway/>>>, 6 color pages, published on Dec. 28, 2010.

Klean Kanteen 27oz Stainless Steel Bottle w/ Built NY 27oz Bottle Tote [online], [retrieved Mar. 19, 2018], Retrieved from the Internet, URL: <<<https://www.youtube.com/watch?v=R411PhqF6Tc>>>, 1 color page, published on Sep. 3, 2009.

Teavana Contour Tumbler vs Thermos Review [online], [retrieved Mar. 20, 2018], Retrieved from the Internet, URL: <<<https://www.youtube.com/watch?v=O55uWyKiWRM>>>, 1 color page, published on Feb. 11, 2013.

KeepCup—Inside Business [online], [retrieved Mar. 20, 2018], Retrieved from the Internet, URL: <<<https://www.youtube.com/watch?v=hJ5xUpC8VXQ>>>, 1 color page, published on Feb. 14, 2012.

William & the Ordinary Hero Coffee Tumbler [online], [retrieved Mar. 20, 2018], Retrieved from the Internet, URL: <<https://www.youtube.com/watch?v=CwpT_KePTdk>>, 1 color page, published on Jun. 10, 2011.

Persona Vacuum Tumbler (14 Oz.)—Q49231 [online], [retrieved Mar. 20, 2018], Retrieved from the Internet, URL: <<<https://www.youtube.com/watch?v=XUoRO3l-uhA>>>, 1 color page, published on Dec. 10, 2012.

Product Review: Klean Kanteen Wide Insulated [online], [retrieved Mar. 20, 2018], Retrieved from the Internet, URL: <<<https://www.apartmenttherapy.com/product-review-klean-kanteen-w-105234>>>, 4 color pages, published on Jan. 6, 2010.

GSI Fairshare Collapsible Cup [online], [retrieved Mar. 20, 2018], Retrieved from the Internet, URL: <<<https://www.youtube.com/watch?v=GqWiv4k8Ddc>>>, 1 color page, published on Jan. 14, 2013.

How to Clean the JOemo Reusable Travel Mug Lid [online], [retrieved Mar. 20, 2018], Retrieved from the Internet, URL: <<<https://www.youtube.com/watch?v=O39NGhuQDms>>>, 1 color page, published on Sep. 12, 2011.

SFS DM400 Photo Tumbler Printing Video [online], [retrieved Mar. 22, 2018], Retrieved from the Internet, URL: <<<https://www.youtube.com/watch?v=d9Xyb9StdRY>>>, 1 color page, published on Jul. 1, 2012.

Starbucks Stainless Steel Travel Press—Rose Gold 10 fl oz (011028166) Best Buy Deals | Bestseller [online], [retrieved Mar. 22, 2018], Retrieved from the Internet, URL: <<<https://www.youtube.com/watch?v=-dhoL4ohTOU>>>, 1 color page, published on Oct. 15, 2014.

Custom Full-Wrap Travel Tumbler—Promotional Tumblers by 4imprint [online], [retrieved Mar. 22, 2018], Retrieved from the Internet, URL: <<<https://www.youtube.com/watch?v=A8sveo1261s>>>, 1 color page, published on Nov. 12, 2014.

15 oz Maui Fusion Tumbler—Custom Travel Coffee Tumblers from InkHead.com [online], [retrieved Mar. 22, 2018], Retrieved from the Internet, URL: <<<https://www.youtube.com/watch?v=MrQAJR6skr8>>>, 1 color page, published on Apr. 12, 2013.

Thermos Vacuum Insulated 14 oz Travel Tumbler with Lever45; Operated Lid [online], [retrieved Apr. 4, 2018], Retrieved from the Internet, URL: <https://www.amazon.com/Thermos-Insulated-Stainless-Operated-Tumbler/dp/B00JM0KAZO/ref=sr_1_fkmr0_1?ie=UTF8&qid=1522868078&sr=8-1-fkmr0&keywords=thermos+vacuum+insulated+14+oz+travel+tumbler+with+level+45%3B+operated+lid>, 8 color pages, published date unknown, but for purposes of patent prosecution prior to the filing date of the present application.

Thermos Stainless Steel 14 Ounce Travel Tumbler with 360 Degree Lid [online], [retrieved Apr. 4, 2018], Retrieved from the Internet,

URL: <<https://www.amazon.com/Thermos-Stainless-Travel-Tumbler-Degree/dp/B000FOMQ40/ref=sr_1_1?ie=UTF8&qid=1522868265&sr=8-1&keywords=thermos+stainless+steel+14+ounce+travel+tumbler+with+360+degree+lid>>, 7 color pages, published date unknown, but for purposes of patent prosecution prior to the filing date of the present application.

Maui Fusion Travel Mug—14 oz. [online], [retrieved Apr. 4, 2018], Retrieved from the Internet, URL: <<<https://www.4imprint.com/product/105878/maui-fusion-travel-mug-14-oz>>>, 2 color pages, published date unknown, but for purposes of patent prosecution prior to the filing date of the present application.

Thermos Funtainer 10 oz Food Jar [online], [retrieved Aug. 6, 2018], Retrieved from the Internet, URL: <https://www.amazon.com/Thermos-Funtainer-Ounce-Food-Blue/dp/B00CBFAE6W?ref=ast_pc_rc>; 10 color pages, published Mar. 20, 2013.

Thermos Funtainer 16 oz Food Jar [online], [retrieved Aug. 6, 2018], Retrieved from the Internet, URL: <<https://www.amazon.com/Thermos-Funtainer-Ounce-Food-Charcoal/dp/B01ATVK4KK?ref=ast_pc_rc&th-1>>; 7 color pages, published date Jan. 19, 2016.

United States District Court Western District of Texas Austin Division, “Complaint,” *Yeti Coolers, LLC v. 99 Cents Only Stores, LLC and 99 Cents Only Stores Texas, Inc.*, Case: 1:18-cv-00799, Document #1, filed Sep. 18, 2018, 102 pages.

https://www.amazon.in/Mayur-Exports-Stainless-Coffee-Silver/dp/B01BGNHYHKI/ref=sr_1_8?ie=UTF8&qid=1544130704&sr=8-8&keywords=Mayur+Exports+Stainless, Feb. 2, 2016.

https://www.amazon.in/Hot-Muggs-Lets-Coffee-Multicolour/dp/B005RU7E2A/ref=sr_1_2?ie=UTF8&qid=1544130658&sr=8-2&keywords=hot+muggs+let%27s+coffee+mug, Dec. 20, 2013.

<https://www.turbosquid.com/3d-models/stainless-steel-thermal-mug-3d-model/1102021>, Jan. 20, 2017.

https://www.amazon.in/Aagam-Palak-Double-Walled-Stainless/dp/B00SOIYFWY/ref=sr_1_?ie=UTF8&qid=1544133439&sr=8-1&keywords=Aagam+%26+Palak+Double, Jan. 24, 2015.

http://www.amazon.in/Pigeon-Stainless-Steel-Coffee-Cup/dp/B01LXFSDOY/ref=sr_1_sc_1?ie=UTF8&qid=1544133520&sr=8-1-spell&keywords=Buy+Pigeon+Stainless+Steel+Coffee+Cup+Set+of+4, Oct. 4, 2016.

The Product Farm, “BeerNStein Rocks Tumbler Lid—Blue”, retrieved from <<http://store.theproductfarm.com/beerstein-rocks-tumbler-lid-blue/>> on Aug. 27, 2015.

Hit Promotional Products, “24 Oz. Biggie Tumbler with Lid”, retrieved from <<http://www.hitpromo.net/product/show/5853/24-oz-biggie-tumbler-with-lid>> on Aug. 27, 2015.

The Alexon Group, “16 Oz. Stainless Steel Travel Mug with Slide Action Lid and Plastic Inner Liner”, retrieved from <<https://alexongroup.com/16-oz-stainless-steel-travel-mug-with-slide-action-lid-and-plastic-liner-liner>> on Aug. 27, 2015.

“New 16oz Insulated Coffee Travel Mug Stainless Steel Double Wall Thermos Tumbler”, retrieved from <<http://www.ebay.com/itm/New-16oz-Insulated-COFFEE-TRAVEL-MUG-Stainless-Steel-Double-Wall-Thermos-Tumbler-/171416296921>> on Aug. 27, 2015.

“Stainless Steel Travel Mug with Slide Action Lid and Plastic Inner Liner—16oz”, retrieved from <<http://waterbottles.com/stainless-steel-travel-mug-with-slide-action-lid-and-plastic-inner-liner-16-oz>> on Aug. 27, 2015.

Vat19, “16 oz. Dual Auto/USB Heated Mug”, retrieved from <<https://www.vat19.com/item/16-oz-dual-auto-usb-heater-coffee-mug>> on Aug. 27, 2015.

Timolino, “Signature Thermal Travel Mug Slide—Tab Lid”, retrieved from <<http://timolino.com/products/signature-thermal-travel-mug-slide-tab-lid>> on Aug. 27, 2015.

Eshine Industrial & Maoyuan International, “400ml Double Wall Stainless Steel Travel Mug with Sliding Drink Lid”, retrieved from <<http://www.chinawaterbottle.com/product/400ml-double-wall-stainless-steel-travel-mug-with-sliding-drink-lid-77-520.html>> on Aug. 27, 2015.

Photo USA Electronic Graphic Inc., “17fl oz Personalised Travel Mug (Plastic Insert and Metal Shell, Reverse Screw)”, retrieved from <<http://www.meikeda.com/stainless-steel-mughtem/15-oz-personalised-travel-mug.html>> on Aug. 27, 2015.

Promo Industrial Co., Limited, “16 Oz. Blue Bullet Travel Mug W/ Handle”, retrieved from <http://www.oempromo.com/Bottle-cup-and-mug/Mugs/index_73.htm> on Aug. 27, 2015.

Gold Bond Inc., “16CT—16 oz Cafe Tumbler”, retrieved from <<http://www.goldbondinc.com/16ct>> on Aug. 27, 2015.

“Yeti Rambler 20 and 30 oz”, published on Apr. 19, 2014, retrieved from <https://web.archive.org/web/20140419041951/http://yeticoolers.com/rambler-tumblers/> on Sep. 2, 2015.

Photographic image of Yeti 20oz Rambler Tumbler, published date unknown, but prior to the filing date of the present application.

United States District Court Western District of Texas Austin Division, “Plaintiff Yeti Coolers, LLC’s Original complaint,” *Yeti Coolers, LLC v. Ontel Products Corporation and World Pack USA, LLC*, Case: 1:17-cv-00091-RP, Document #1, filed Feb. 8, 2017, 65 pages.

United States District Court Western District of Texas Austin Division, “Defendants’ Answers and Defenses to Plaintiff’s Original Complaint,” *Yeti Coolers, LLC v. Ontel Products Corporation and World Pack USA, LLC*, Case: 1:17-cv-00091-RP, Document #14, filed Feb. 21, 2017, 45 pages.

United States District Court Western District of Texas Austin Division, “Complaint for Damages and Injunctive Relief,” *Yeti Coolers, LLC v. Tree Leaf Marketing, LLC, d/b/a Big Frig*, Case: 1:16-cv-00699-RP, Document #26, filed Apr. 7, 2017, 39 pages.

Snow Peak H860, posted by copperbrier at YouTube.com [online], posted on Nov. 13, 2013. Available on the Internet, <URL: <https://youtu.be/rotGiNYY6ms>>.

Snow Peak 450ml, posted by keegansreviews at YouTube.com [online], posted on Jun. 5, 2015. Available on the Internet, <URL: <https://youtu.be/S9dSBijmxsM>>.

“Snow Peak Detail Specs”, published earlier than Jan. 6, 2014, retrieved from <<http://global.rakuten.com/en/store/mitsuyoshi/item/tw-137-snowpeak/>> on May 22, 2017.

United States District Court Western District of Texas Austin Division, “Complaint,” *Yeti Coolers, LLC v. Wadley Holdings, LLC d/b/a Meadowcraft, and Southern Sales & Marketing Group, Inc. d/b/a nICE*, Case 1:17-cv-00421, Document 1, filed May 5, 2017, 121 pages.

United States District Court Western District of Texas Austin Division, “Complaint,” *Yeti Coolers, LLC v. JDS Industries, Inc., Lionel Laundry Jr., d/b/a Accolades Awards & Engraving, Creating and Fast LLC d/b/a Promotional Products San Antonio, Kelly Scoggins d/b/a King Engraving, Jamey Z. Apps d/b/a Roberts Trophies, and Eagle Media, Inc.*, Case 1:17-cv-00424, Document 1, filed May 5, 2017, 62 pages.

United States District Court Western District of Texas Austin Division, “Complaint,” *Yeti Coolers, LLC v. Glacier Coolers, LLC, and Tecomate Holdings, LLC*, Case 1:17-cv-00586, Document 1, filed Jun. 15, 2017, 161 pages.

United States District Court Western District of Texas Austin Division, “Complaint,” *Yeti Coolers, LLC v. Gametime Sidekicks, LLC*, Case 1:17-cv-00413, Document 1, filed May 5, 2017, 107 pages.

United States District Court Western District of Texas Austin Division, “Complaint,” *Yeti Coolers, LLC v. Kodiak Coolers, LLC and Flexible Automation LLC*, Case 1:17-cv-00422, Document 1, filed May 5, 2017, 51 pages.

United States District Court Western District of Texas Austin Division, “Complaint,” *Yeti Coolers, LLC v. Gourmet Home Products, LLC*, Case: 1:17-cv-00533, Document #1, filed Jun. 2, 2017, 25 pages.

United States District Court Western District of Texas Austin Division, “Complaint,” *Yeti Coolers, LLC v. Godinger Silver Art, Ltd., Cathy’s Concepts, Inc., Viatek Consumer Products Group, Inc.*, Case: 1:17-cv-00467, Document #1, filed May 16, 2017, 22 pages.

United States District Court Western District of Texas Austin Division, “Complaint,” *Yeti Coolers, LLC v. Bayou Ice Boxes, Inc.*, Case: 1:17-cv-00261, Document #1, filed Mar. 24, 2017, 41 pages.

United States District Court Western District of Texas Austin Division, “Complaint,” *Yeti Coolers, LLC v. Vickery roducts, LLC d/b/a Axis Cups, f/d/b/a Frio Cups*, Case: 1:17-cv-00260, Document #1, filed Mar. 24, 2017, 52 pages.

United States District Court Western District of Texas Austin Division, “Complaint,” *Yeti Coolers, LLC v. Benner China and Glassware Florida, Inc.*, Case: 1:16-cv-00142-RP, Document #1, filed Feb. 16, 2016, 21 pages.

United States District Court Western District of Texas Austin Division, “Complaint,” *Yeti Coolers, LLC v. Blackbird Products Group, LLC, d/b/a Mammoth Coolers*, Case: 1:15-cv-01105, Document #1, filed Dec. 7, 2015, 266 pages.

United States District Court Western District of Texas Austin Division, “Defendant Blackbird Products Group, LLC’s Answer and Affirmative Defenses to Plaintiff Yeti Coolers, LLC’s Complaint,” *Yeti Coolers, LLC v. Blackbird Products Group, LLC, d/b/a Mammoth Coolers*, Case: 1:15-cv-01105-SS, Document #13, filed Dec. 28, 2015, 11 pages.

United States District Court Western District of Texas Austin Division, “Order,” *Yeti Coolers, LLC v. Blackbird Products Group, LLC, d/b/a Mammoth Coolers*, Case: 1:15-cv-01105-RP, Document #26, filed Apr. 20, 2016, 1 page.

United States District Court Western District of Texas Austin Division, “Complaint,” *Yeti Coolers, LLC v. The Boelter Companies, Inc., Boelter Brands, LLC and Boelter Beverage, LLC*, Case: 1:16-cv-00456, Document #1, filed Apr. 8, 2016, 20 pages.

United States District Court Western District of Texas Austin Division, “Defendants’ Answer to Complaint,” *Yeti Coolers, LLC v. The Boelter Companies, Inc., Boelter Brands, LLC and Boelter Beverage, LLC*, Case: 1:16-cv-00456-RP, Document #21, filed Jun. 7, 2016, 9 pages.

United States District Court Western District of Texas Austin Division, “Consent Judgment,” *Yeti Coolers, LLC v. The Boelter Companies, Inc., Boelter Brands, LLC and Boelter Beverage, LLC*, Case: 1:16-cv-00456-RP, Document #25, filed Sep. 13, 2016, 3 pages.

United States District Court Western District of Texas Austin Division, “Complaint,” *Yeti Coolers, LLC v. Jennifer Leverage Bootz Evans d/b/a Bling and Burlap Buy In’s and Blanks*, Case: 1:15-cv-00995, Document #1, filed Nov. 2, 2015, 128 pages.

United States District Court Western District of Texas Austin Division, “Order,” *Yeti Coolers, LLC v. Jennifer Leverage Bootz Evans d/b/a Bling and Burlap Buy In’s and Blanks*, Case: 1:15-cv-00995-RP, Document #18, filed Apr. 18, 2016, 1 page.

United States District Court Western District of Texas Austin Division, “Defendant Kaiser Group Inc.’s Answer, Affirmative Defenses, and Counterclaims to Plaintiff Yeti Coolers, LLC’s Complaint,” *Yeti Coolers, LLC v. Kaiser Group Inc., d/b/a Thermo Steel, d/b/a Vino2Go, d/b/a Brew2GO*, Case: 1:15-cv-00725-RP, Document #14, filed Oct. 13, 2015, 65 pages.

United States District Court Western District of Texas Austin Division, “Complaint,” *Yeti Coolers, LLC v. Great American Products, Ltd.*, Case: 1:15-cv-00686, Document #1, filed Aug. 6, 2015, 20 pages.

United States District Court Western District of Texas Austin Division, “Order,” *Yeti Coolers, LLC v. Great American Products, Ltd.*, Case: 1:15-cv-00686-RP, Document #25, filed Mar. 14, 2016, 1 page.

United States District Court Western District of Texas Austin Division, “Complaint,” *Yeti Coolers, LLC v. Home Depot U.S.A. Inc., Takeya USA Corporation*, Case: 1:17-cv-00342, Document #1, filed Apr. 12, 2017, 24 pages.

United States District Court Western District of Texas Austin Division, “Complaint,” *Yeti Coolers, LLC v. Ideastage Promotions, LLC, d/b/a Swag Brokers*, Case: 1:15-cv-00774, Document #1, filed Sep. 2, 2015, 22 pages.

United States District Court Western District of Texas Austin Division, “Order,” *Yeti Coolers, LLC v. Ideastage Promotions, LLC, d/b/a Swag Brokers*, Case: 1:15-cv-00774-RP, Document #19, filed Dec. 21, 2015, 1 page.

United States District Court Western District of Texas Austin Division, “Complaint,” *Yeti Coolers, LLC v. Kaiser Group Inc., d/b/a Thermo Steel, d/b/a Vino2GO, d/b/a Brew2Go*, Case: 1:15-cv-00725, Document #1, filed Aug. 19, 2015, 21 pages.

United States District Court Western District of Texas Austin Division, “Complaint,” *Yeti Coolers, LLC v. Kuer outdoors, LLC*, Case: 1:16-cv-00631, Document #1, filed May 27, 2016, 89 pages.

United States District Court Western District of Texas Austin Division, “Complaint,” *Yeti Coolers, LLC v. Magnum Solace LLC*, Case: 1:16-cv-00663-RP, Document #1, filed Jun. 7, 2016, 24 pages.

United States District Court Western District of Texas Austin Division, “Defendant’s Rule 12(B)(6) Motion to Dismiss for Failure to State a Claim,” *Yeti Coolers, LLC v. Magnum Solace LLC*, Case: 1:16-cv-00663-RP, Document #10, filed Aug. 5, 2016, 30 pages.

United States District Court Western District of Texas Austin Division, “Defendant’s Answer,” *Yeti Coolers, LLC v. Magnum Solace LLC*, Case: 1:16-cv-00663-RP, Document #34, filed Apr. 13, 2017, 7 pages.

Primary Examiner — Terry A Wallace

(74) *Attorney, Agent, or Firm* — Banner & Witcoff, Ltd.

(57)

CLAIM

The ornamental design for a beverage holder, as shown and described.

DESCRIPTION

FIG. 1 is a top, front, right perspective view of a beverage holder showing our new design;

FIG. 2 is a right side view thereof;

FIG. 3 is a left side view thereof;

FIG. 4 front view thereof;

FIG. 5 is a rear view thereof; and,

FIG. 6 is a top view thereof.

The broken lines immediately adjacent to the shaded area define the bounds of the claimed design and form no part thereof. The broken lines depicting the remainder of the beverage holder show features that form no part of the claimed design. The contrast in shading represents a contrast in appearance only and does not represent any particular color, material, texture or finish.

1 Claim, 4 Drawing Sheets

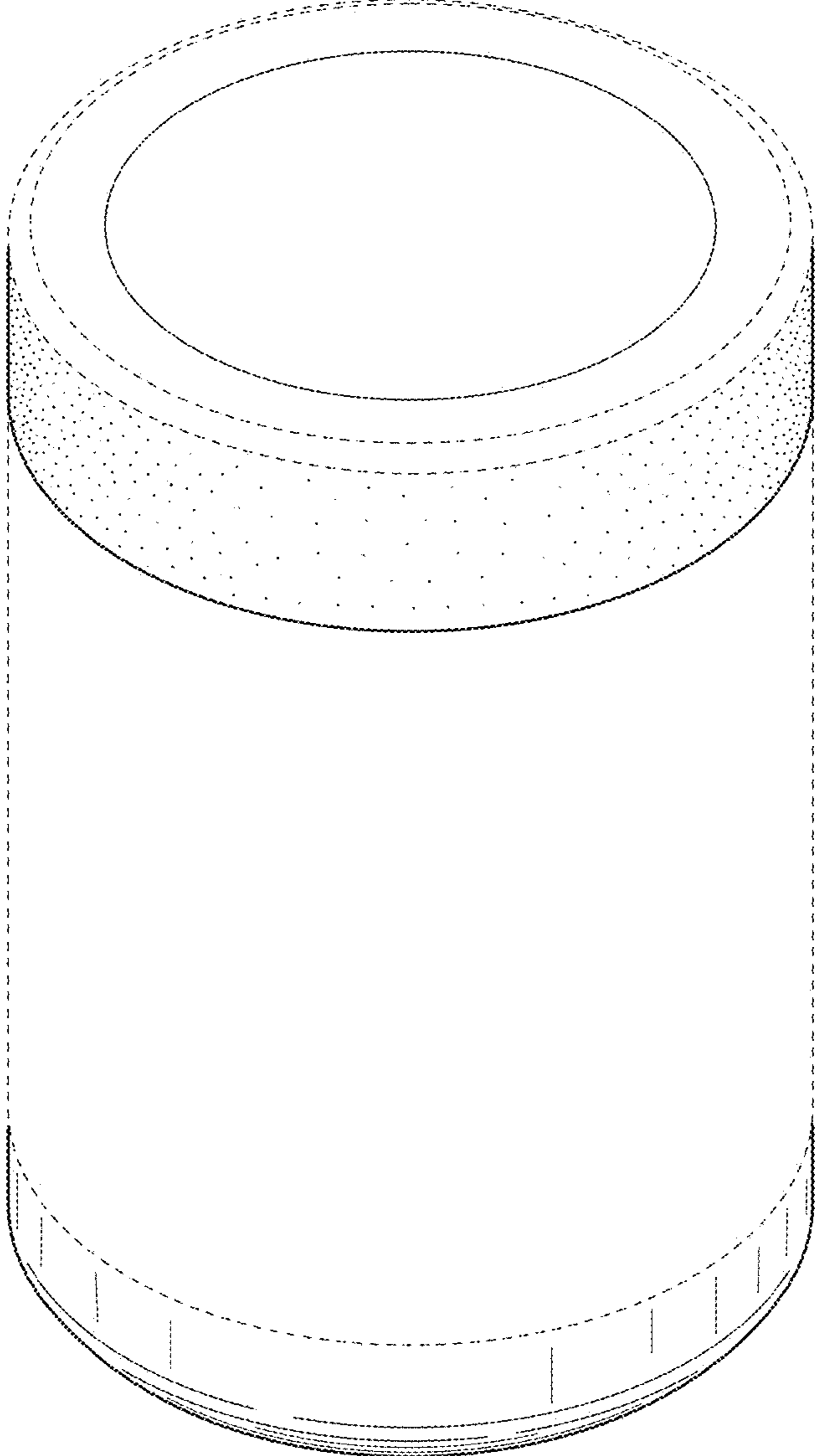


FIG. 1

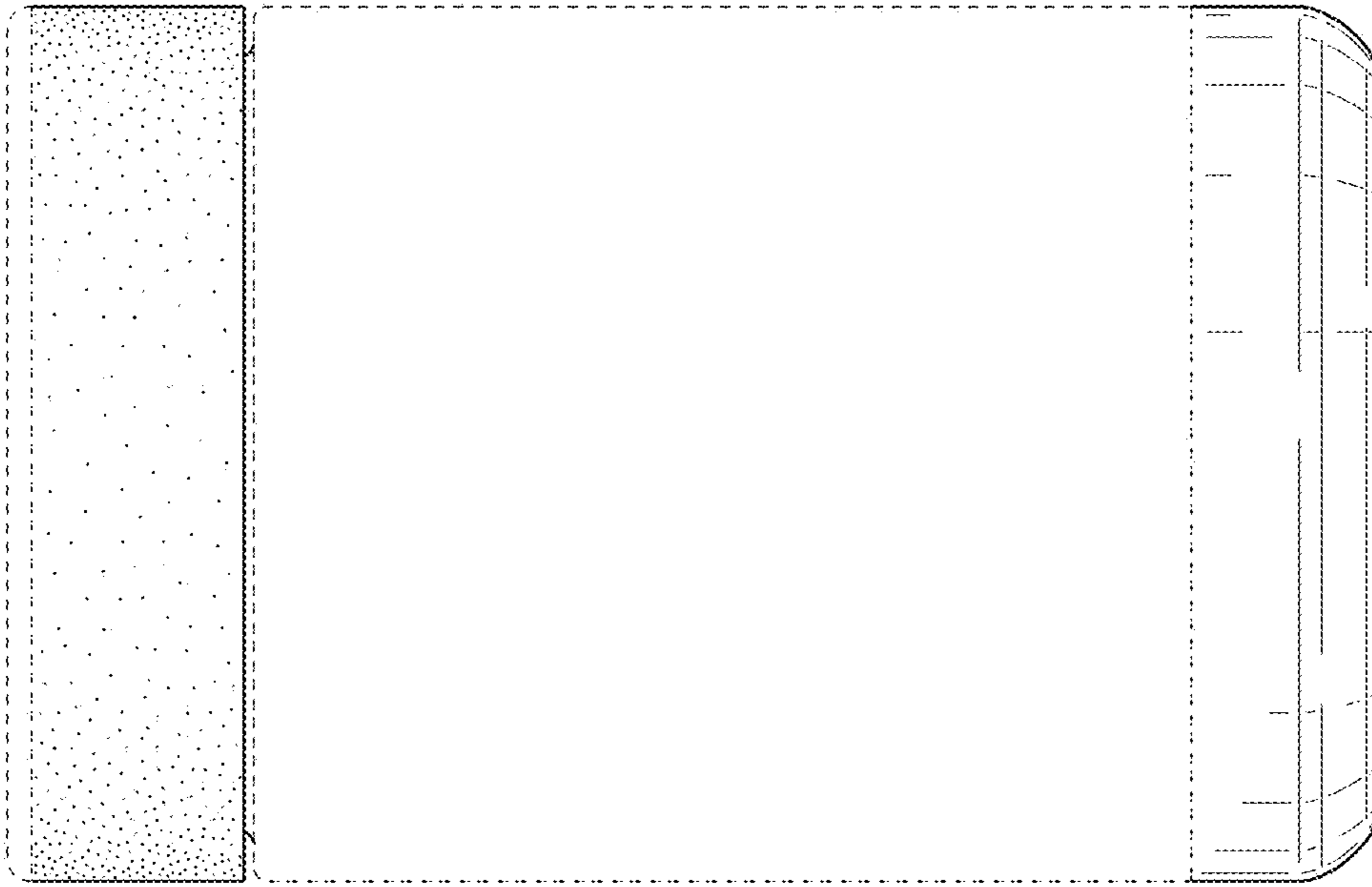


FIG. 2

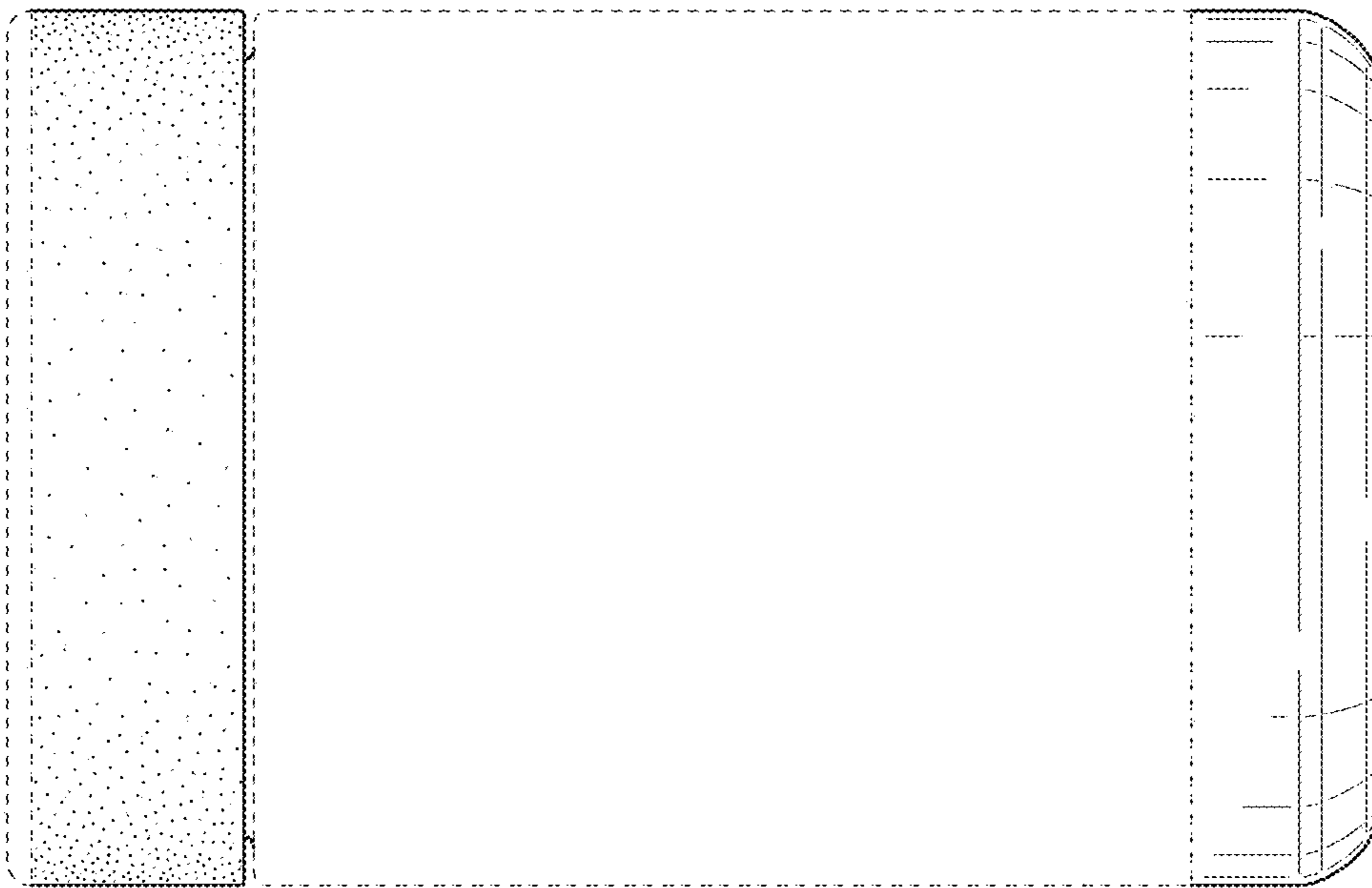


FIG. 3



FIG. 5



FIG. 4

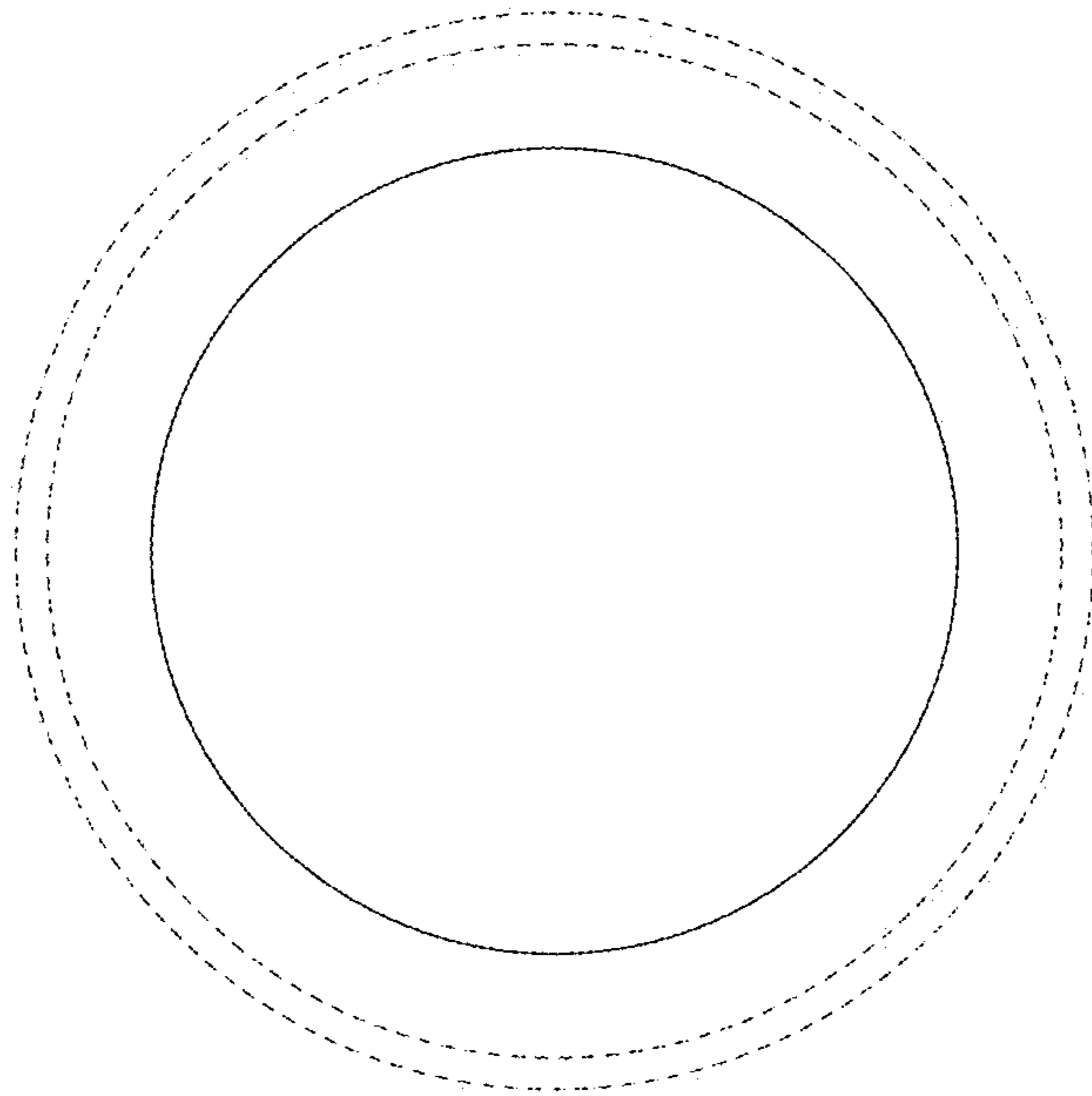


FIG. 6

UNITED STATES PATENT AND TRADEMARK OFFICE
CERTIFICATE OF CORRECTION

PATENT NO. : D920,746 S
APPLICATION NO. : 29/735486
DATED : June 1, 2021
INVENTOR(S) : Seiders et al.

Page 1 of 1

It is certified that error appears in the above-identified patent and that said Letters Patent is hereby corrected as shown below:

On the Title Page

Page 8, Column 1, item (56) Other Publications, Line 66:
Delete "Pursant" and insert --Pursuant--

Page 11, Column 1, item (56) Other Publications, Line 46:
Delete "tiled" and insert --filed--

Page 11, Column 2, item (56) Other Publications, Line 22:
Delete "lied" and insert --filed--

Page 11, Column 2, Description, Line 5:
After "FIG. 4", insert --is a--

Signed and Sealed this
Thirty-first Day of August, 2021



Drew Hirshfeld
*Performing the Functions and Duties of the
Under Secretary of Commerce for Intellectual Property and
Director of the United States Patent and Trademark Office*