



US00D920744S

(12) **United States Design Patent** (10) **Patent No.:** **US D920,744 S**
Eisenhardt et al. (45) **Date of Patent:** **** Jun. 1, 2021**

(54) **COOLER**

(71) Applicant: **Milwaukee Electric Tool Corporation**,
Brookfield, WI (US)

(72) Inventors: **Scott D. Eisenhardt**, Milwaukee, WI
(US); **Grant T. Squiers**, Cudahy, WI
(US); **Zachary W. Richman**,
Milwaukee, WI (US)

(73) Assignee: **Milwaukee Electric Tool Corporation**,
Brookfield, WI (US)

(**) Term: **15 Years**

(21) Appl. No.: **29/755,776**

(22) Filed: **Oct. 22, 2020**

Related U.S. Application Data

(62) Division of application No. 29/666,164, filed on Oct.
10, 2018, now Pat. No. Des. 903,430.

(51) **LOC (13) Cl.** **07-01**

(52) **U.S. Cl.**
USPC **D7/607**

(58) **Field of Classification Search**
USPC D7/605–607, 709, 710; D3/283, 289,
D3/301, 272–274, 201, 203.1–203.8
CPC F25D 3/08; F25D 3/02; F25D 3/04; F25D
3/06; F25D 3/14; F25D 3/107; F25D
2331/804; F25D 2331/801; B65D 81/38;
B65D 81/3813; B65D 81/3816; B65D
81/3818; B65D 81/382; B65D 81/3823;
B65D 81/3825; B65D 81/3827; B65D
81/383; B65D 81/3832; B65D 81/3834;
B65D 81/3848; B65D 81/3851; B65D
81/3853; B65D 81/3855; B65D 81/3858;
(Continued)

(56) **References Cited**

U.S. PATENT DOCUMENTS

4,537,313 A * 8/1985 Workman A47J 47/145
206/545
4,805,776 A * 2/1989 Namgyal A45C 3/00
206/523

(Continued)

Primary Examiner — Terry A Wallace

(74) *Attorney, Agent, or Firm* — Reinhart Boerner Van
Deuren s.c.

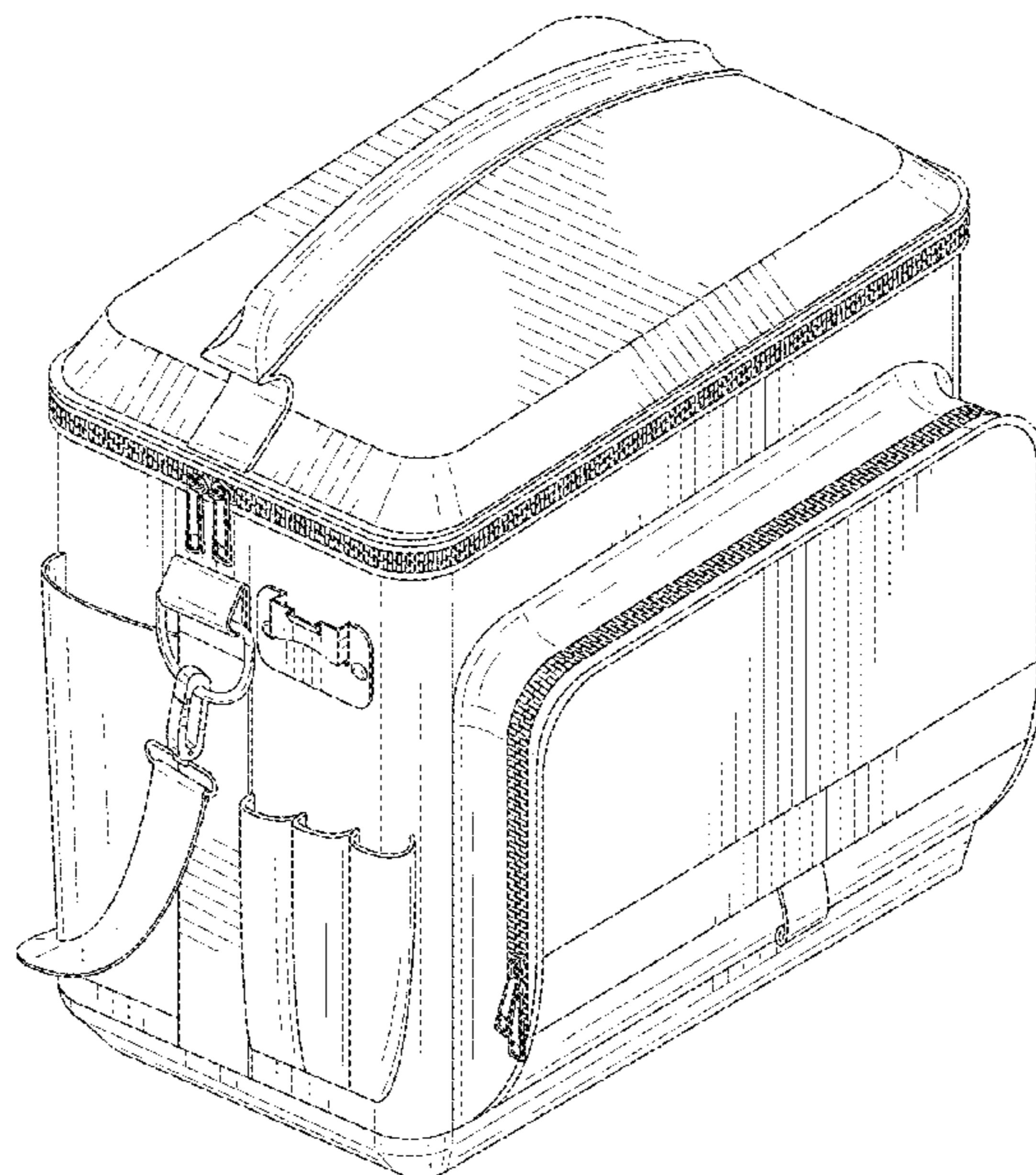
(57) **CLAIM**

We claim the ornamental design for a cooler, as shown and
described.

DESCRIPTION

FIG. 1 is a perspective view from above of an embodiment
of the claimed design;
FIG. 2 is a perspective view from below of the claimed
design of FIG. 1;
FIG. 3 is a front view of the claimed design of FIG. 1;
FIG. 4 is a rear view of the claimed design of FIG. 1;
FIG. 5 is a right side view of the claimed design of FIG. 1;
FIG. 6 is a left side view of the claimed design of FIG. 1;
FIG. 7 is a top view of the claimed design of FIG. 1; and
FIG. 8 is a bottom view of the claimed design of FIG. 1.
FIG. 9 is a perspective view from above of another embodi-
ment of the claimed design;
FIG. 10 is a perspective view from below of the claimed
design of FIG. 9;
FIG. 11 is a front view of the claimed design of FIG. 9;
FIG. 12 is a rear view of the claimed design of FIG. 9;
FIG. 13 is a right side view of the claimed design of FIG. 9;
FIG. 14 is a left side view of the claimed design of FIG. 9;
FIG. 15 is a top view of the claimed design of FIG. 9; and,
FIG. 16 is a bottom view of the claimed design of FIG. 9.

1 Claim, 16 Drawing Sheets



(58) **Field of Classification Search**
 CPC ... B65D 81/386; B65D 81/3862; A45C 11/20;
 A45C 3/00
 See application file for complete search history.

(56) **References Cited**

U.S. PATENT DOCUMENTS

D340,387 S * 10/1993 Melk D3/289
 5,400,610 A * 3/1995 Macedo A45C 11/20
 116/216
 D371,052 S * 6/1996 Melk D7/607
 D387,249 S * 12/1997 Mogil D7/607
 5,904,230 A * 5/1999 Peterson A45C 11/20
 190/107
 D412,269 S * 7/1999 Wyant D7/607
 6,048,099 A * 4/2000 Muffett A45C 11/20
 383/110
 6,068,402 A * 5/2000 Freese A45C 11/20
 383/108
 6,238,091 B1 * 5/2001 Mogil A45C 7/0077
 383/110

6,247,328 B1 * 6/2001 Mogil A45C 7/0077
 383/110
 6,296,165 B1 * 10/2001 Mears A45C 3/00
 150/107
 D465,134 S * 11/2002 Joss D3/287
 D478,782 S * 8/2003 Li D7/607
 D573,422 S * 7/2008 Tagliati D3/287
 7,669,436 B2 * 3/2010 Mogil A45C 11/20
 62/457.7
 7,677,406 B2 * 3/2010 Maxson B65D 81/3823
 220/592.26
 8,043,004 B2 10/2011 Mogil
 D762,384 S * 8/2016 Boroski D3/283
 9,408,445 B2 8/2016 Mogil
 9,809,376 B2 11/2017 Mitchell
 2005/0205459 A1 * 9/2005 Mogil A45C 11/20
 206/545
 2007/0237432 A1 * 10/2007 Mogil A45C 7/0077
 383/38
 2016/0101924 A1 * 4/2016 Mitchell B65D 43/16
 220/592.2
 2019/0000199 A1 * 1/2019 Africa A45C 7/005

* cited by examiner

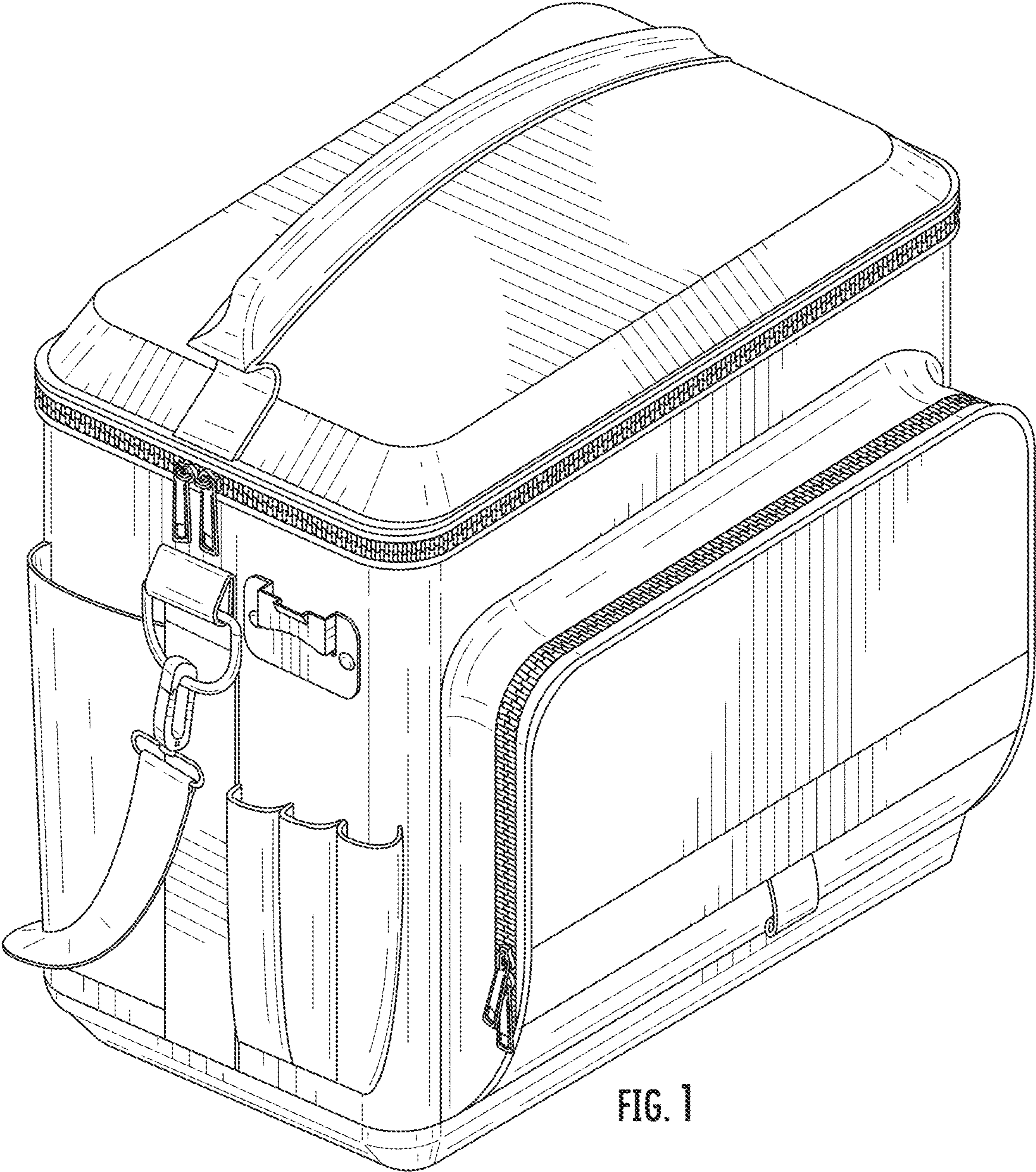


FIG. 1

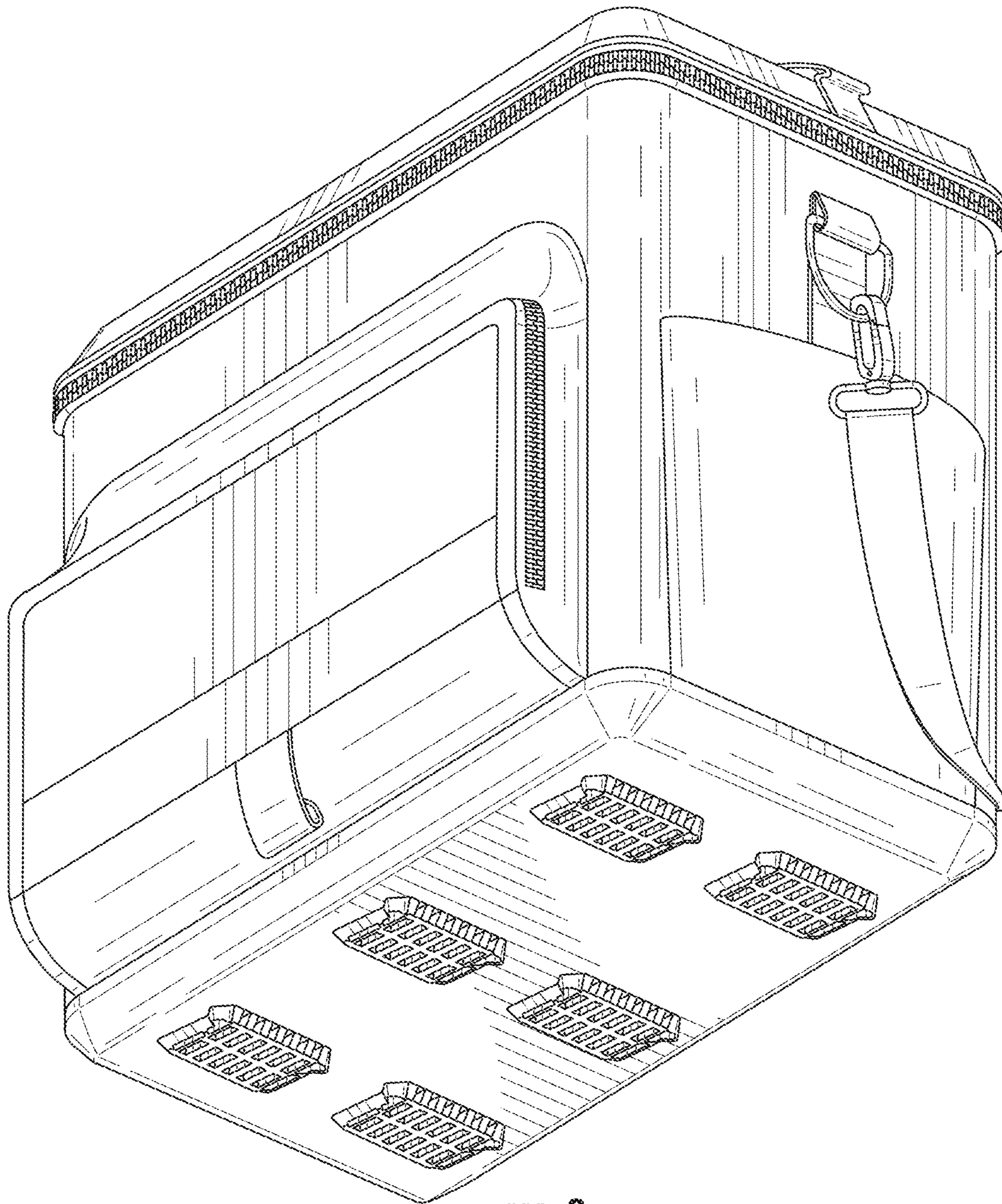


FIG. 2

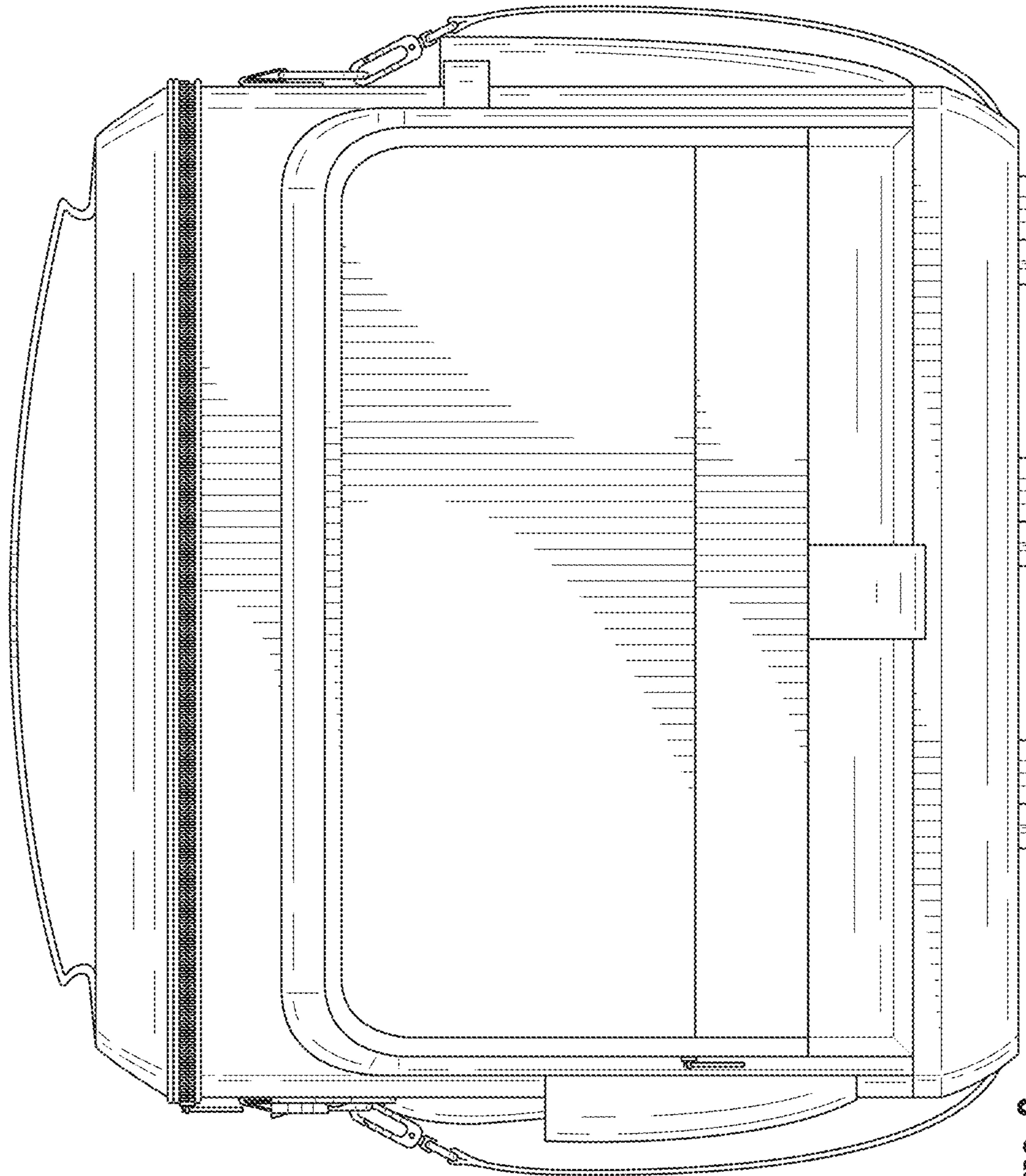


FIG. 3

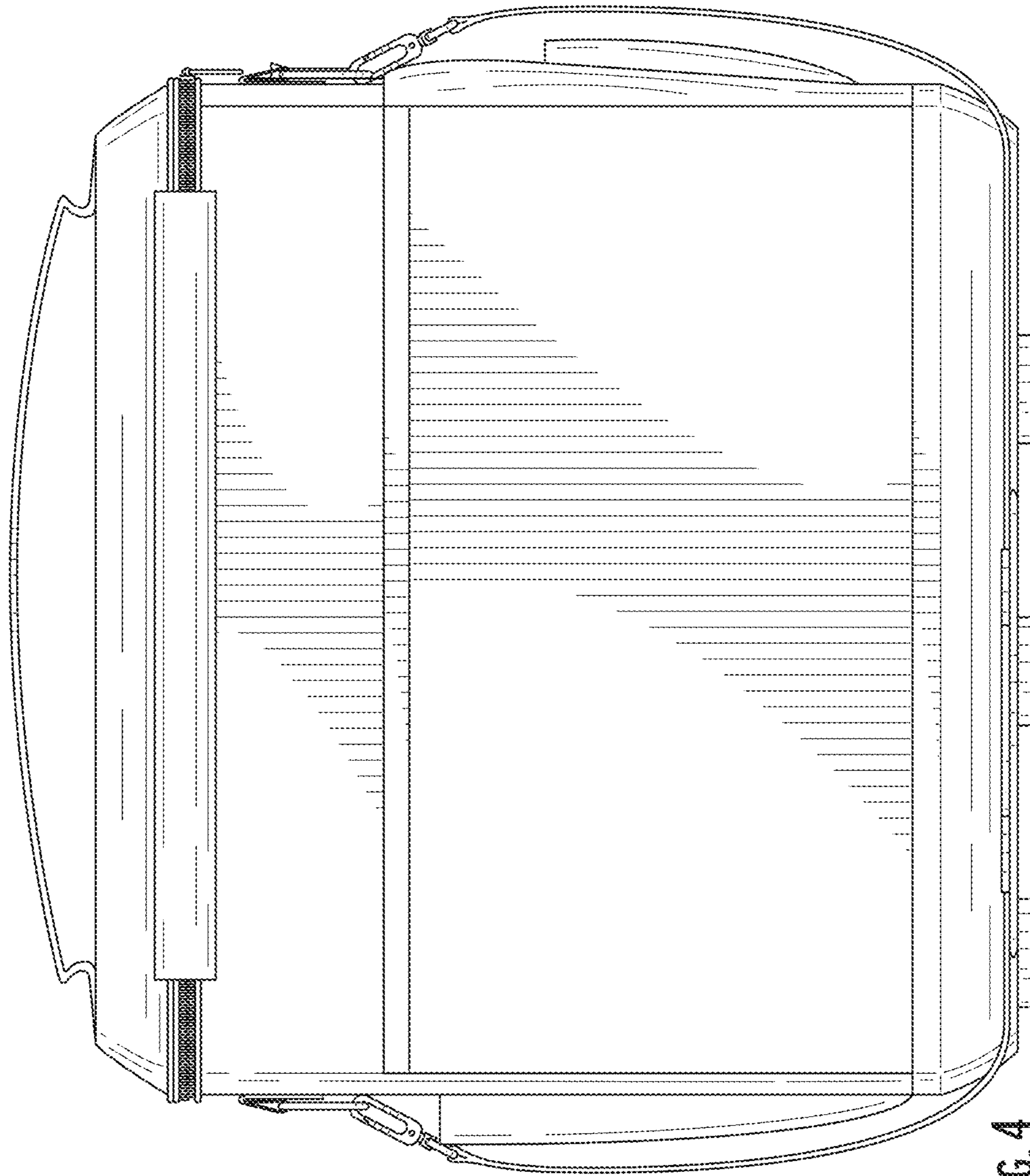


FIG. 4

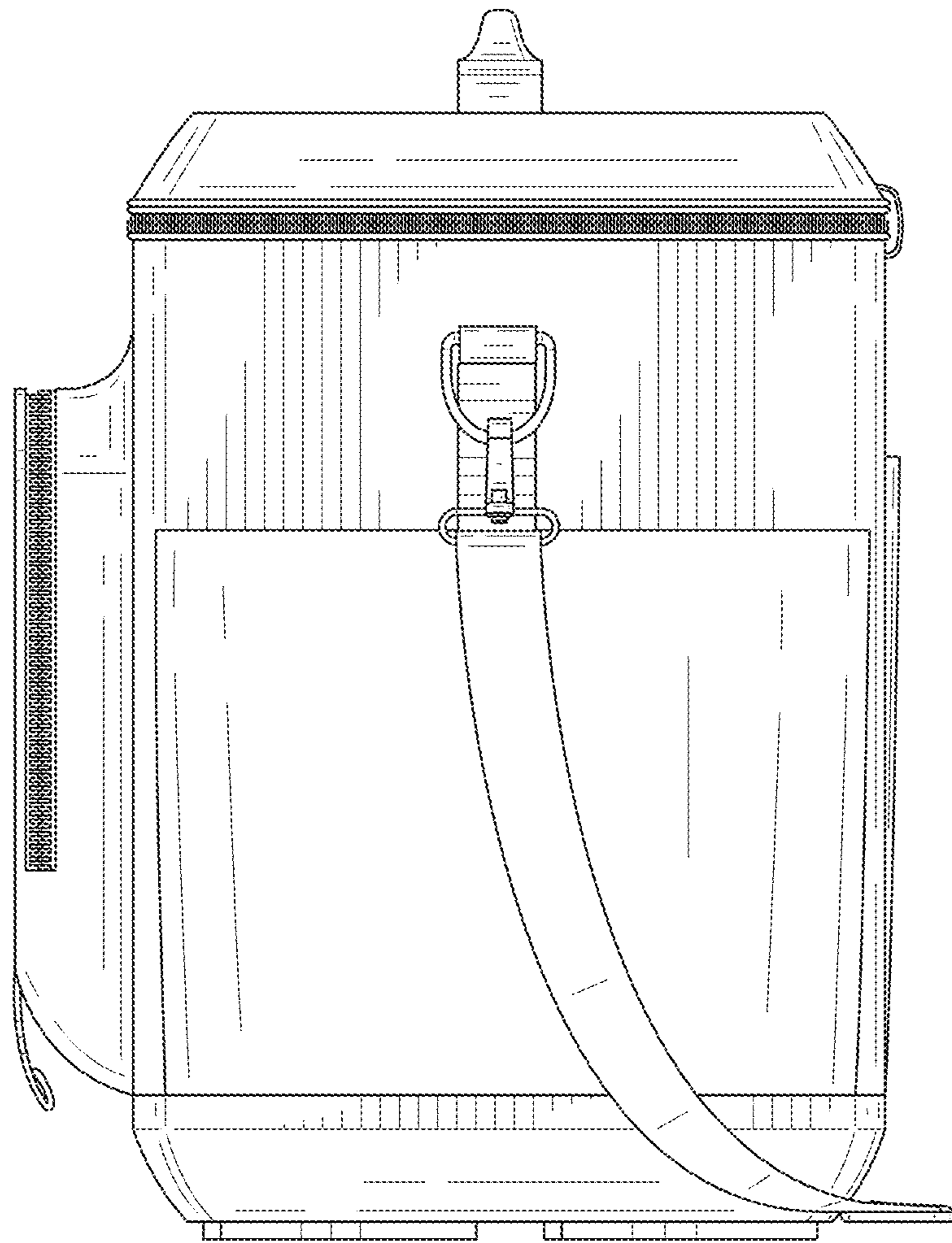


FIG. 5

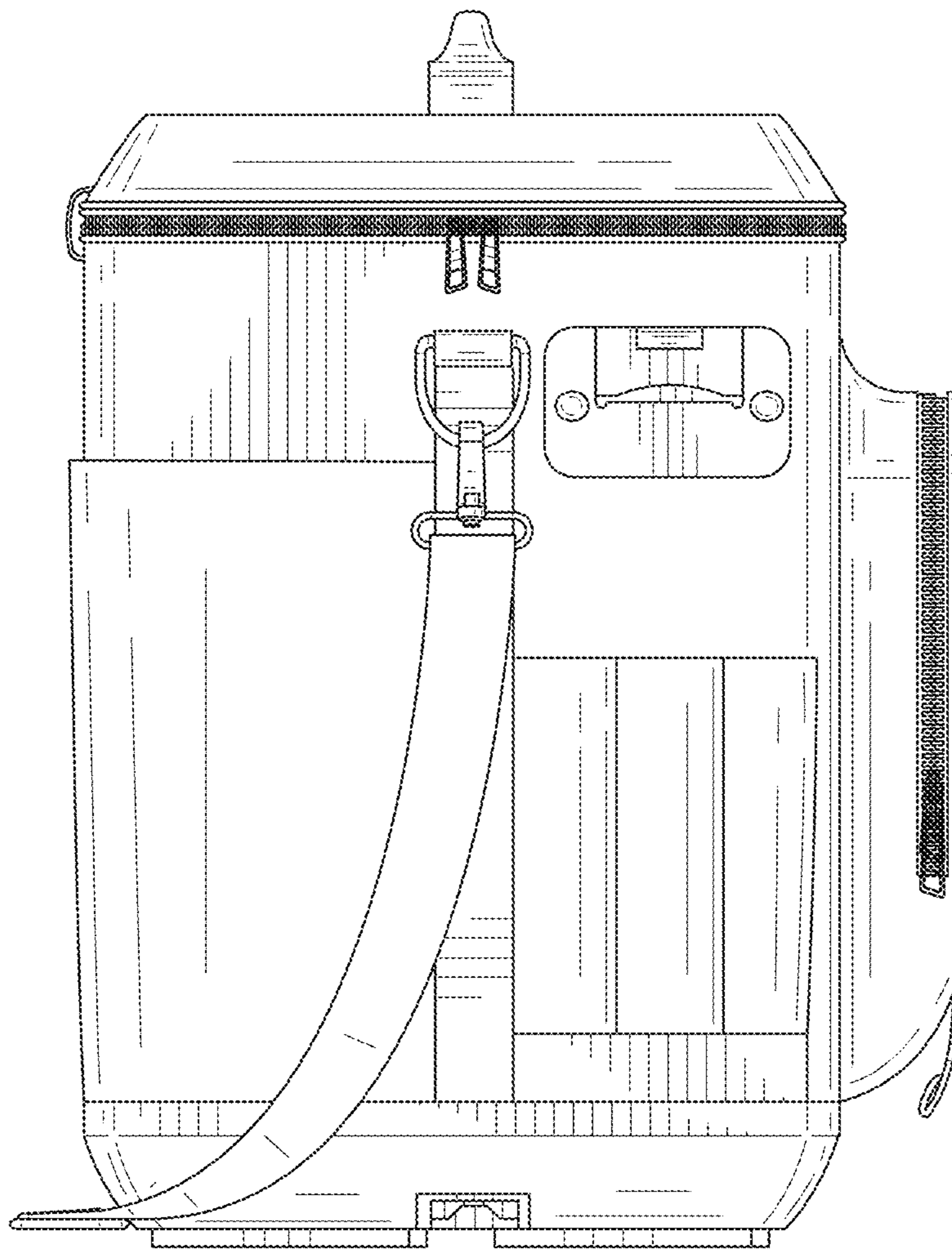


FIG. 6

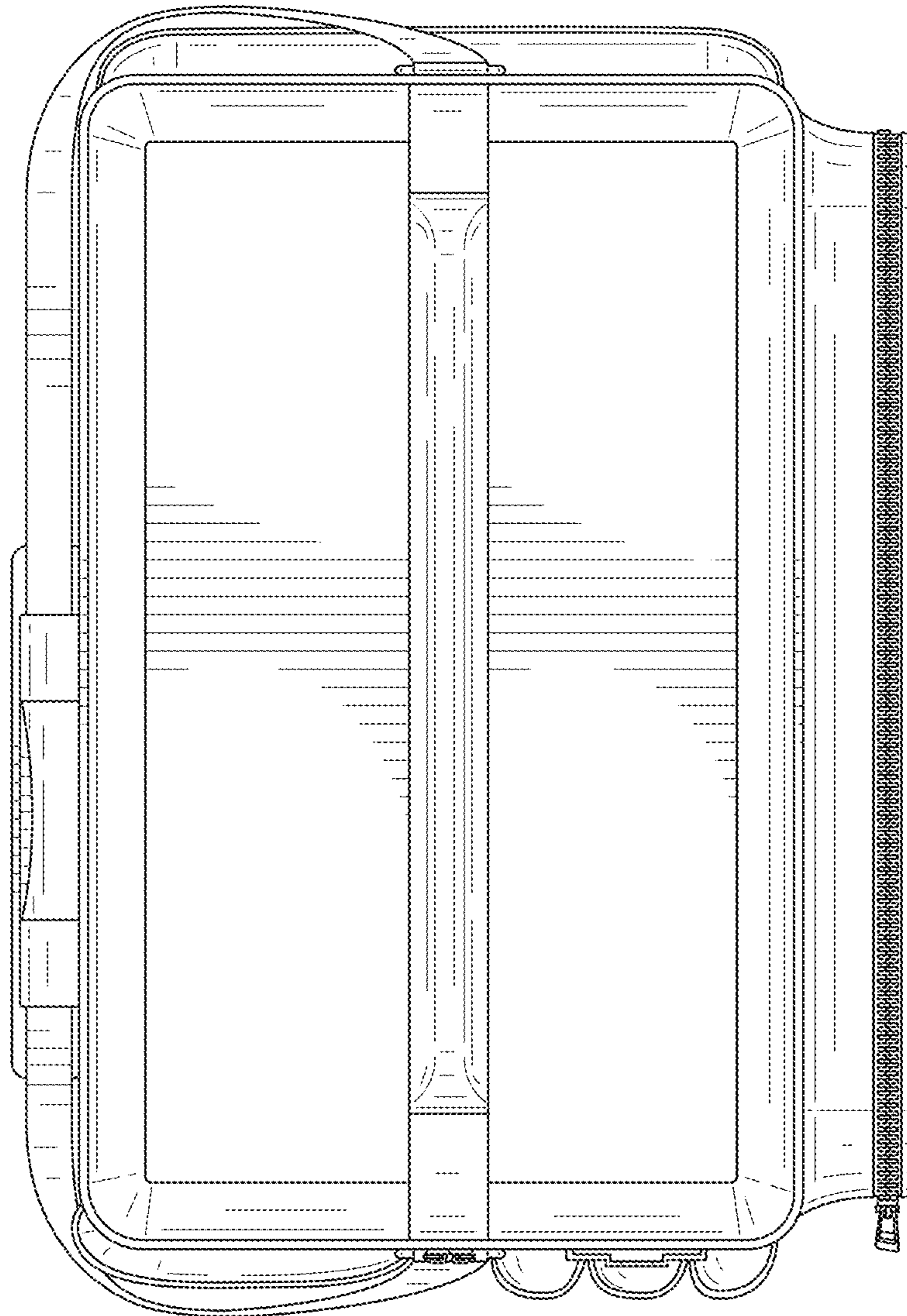


FIG. 7

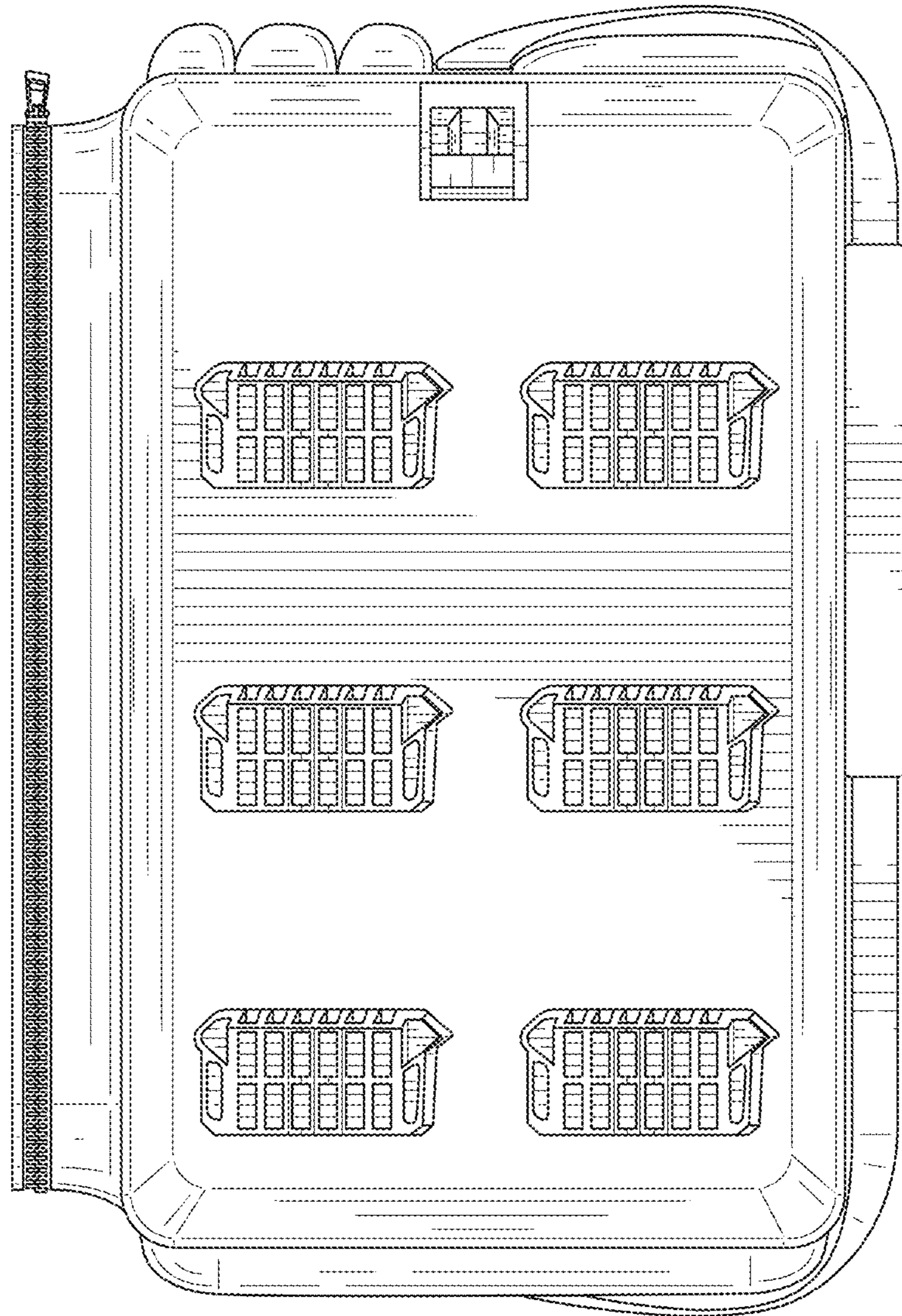
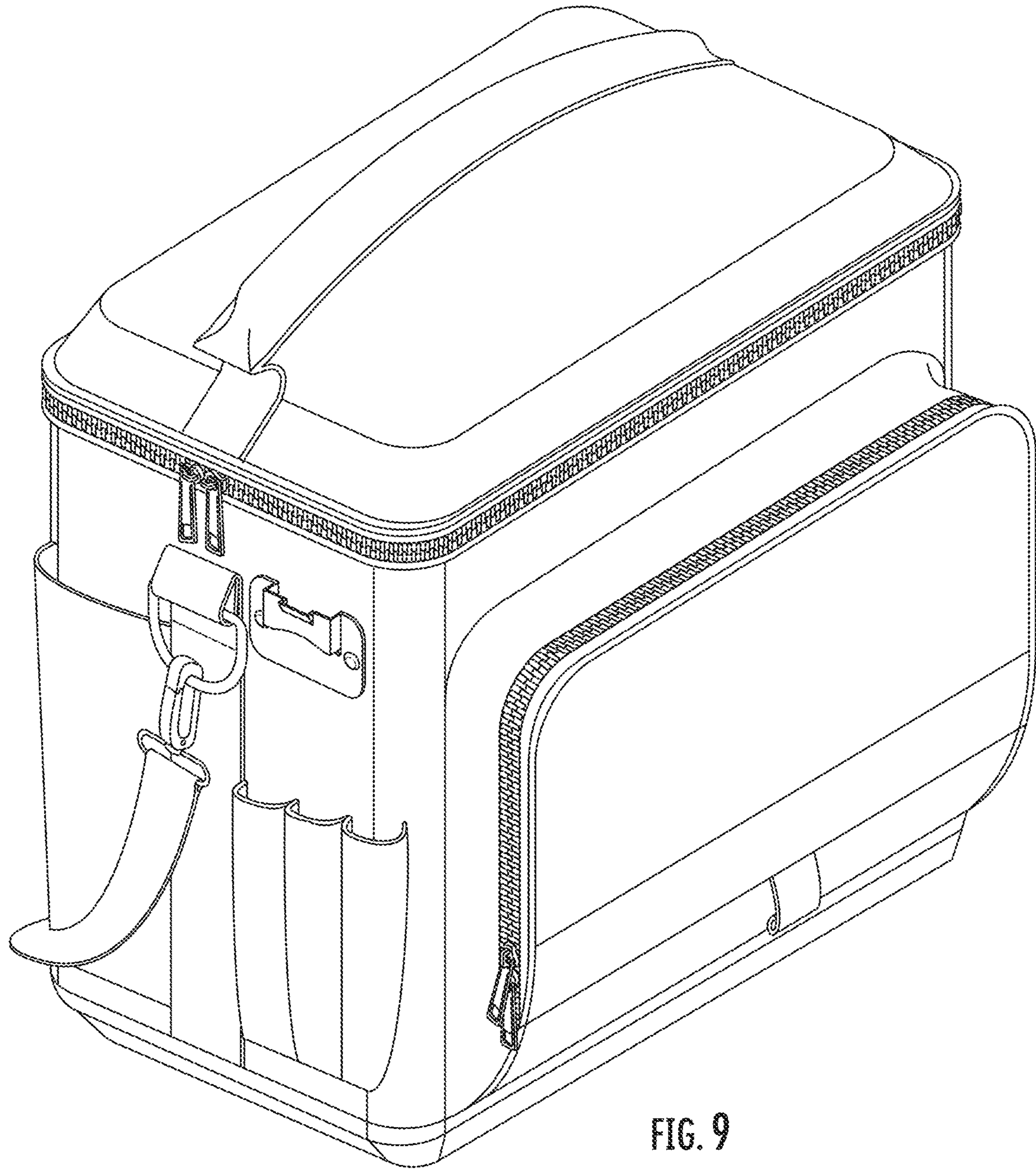


FIG. 8



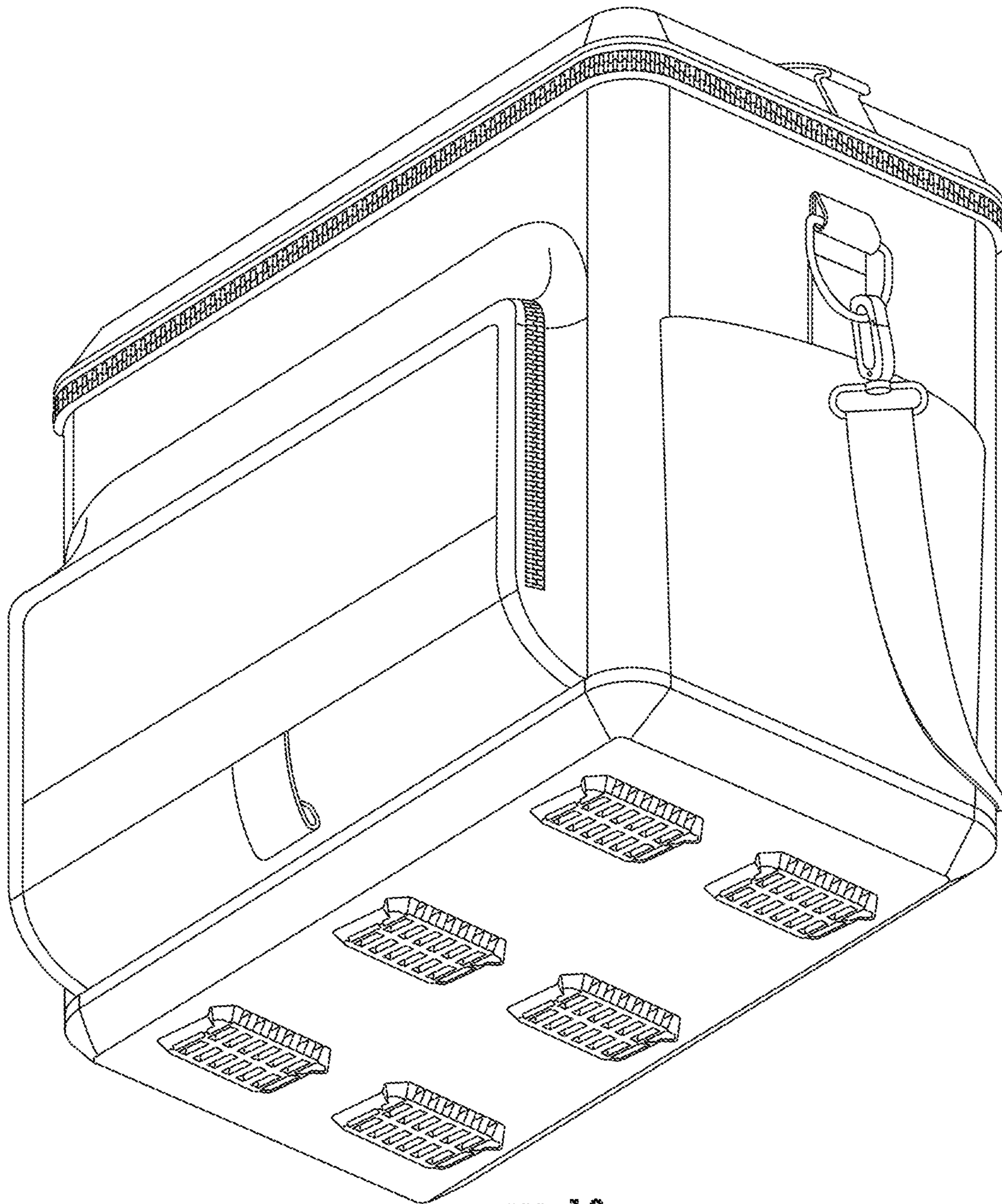


FIG. 10

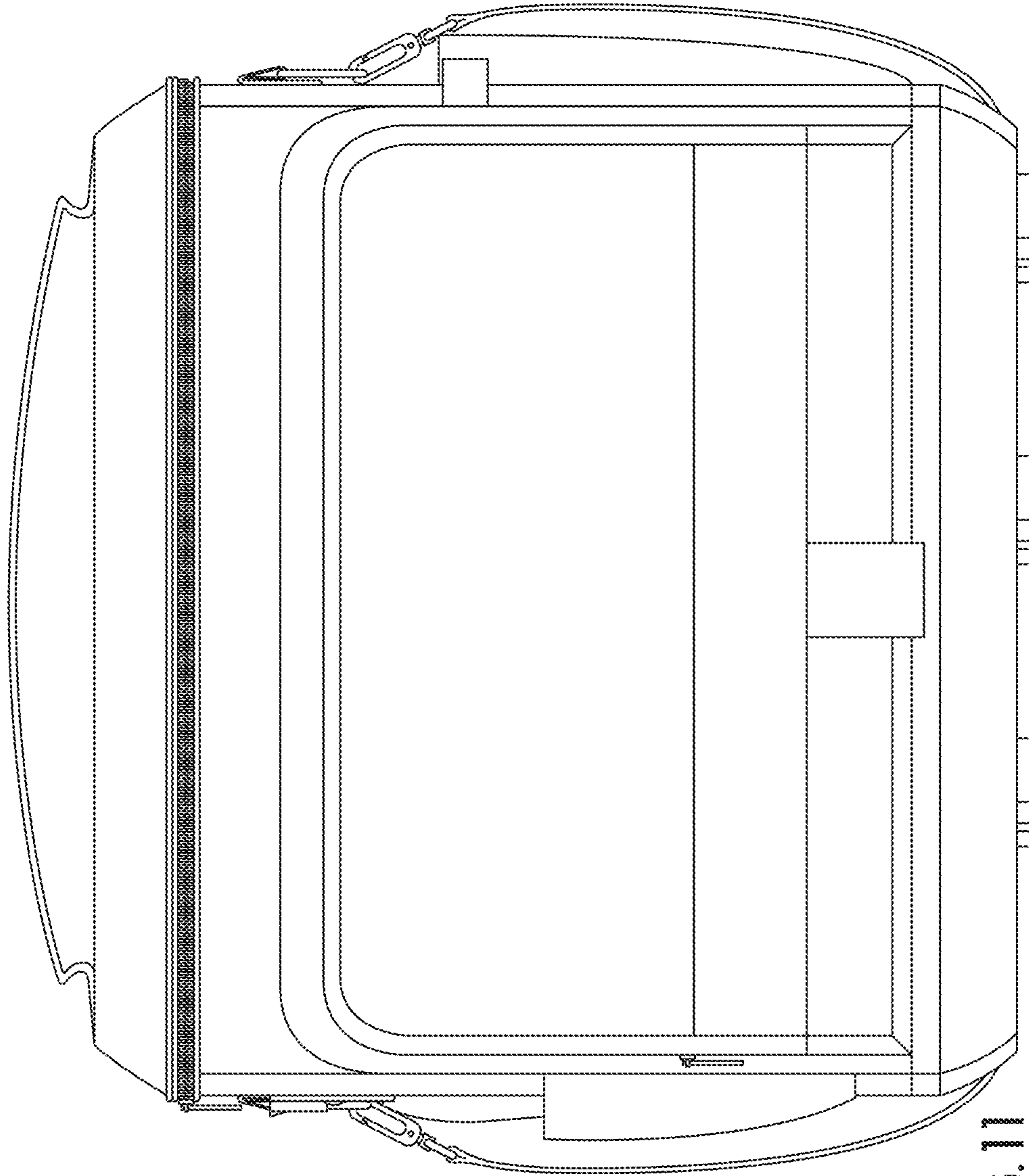


FIG. 11

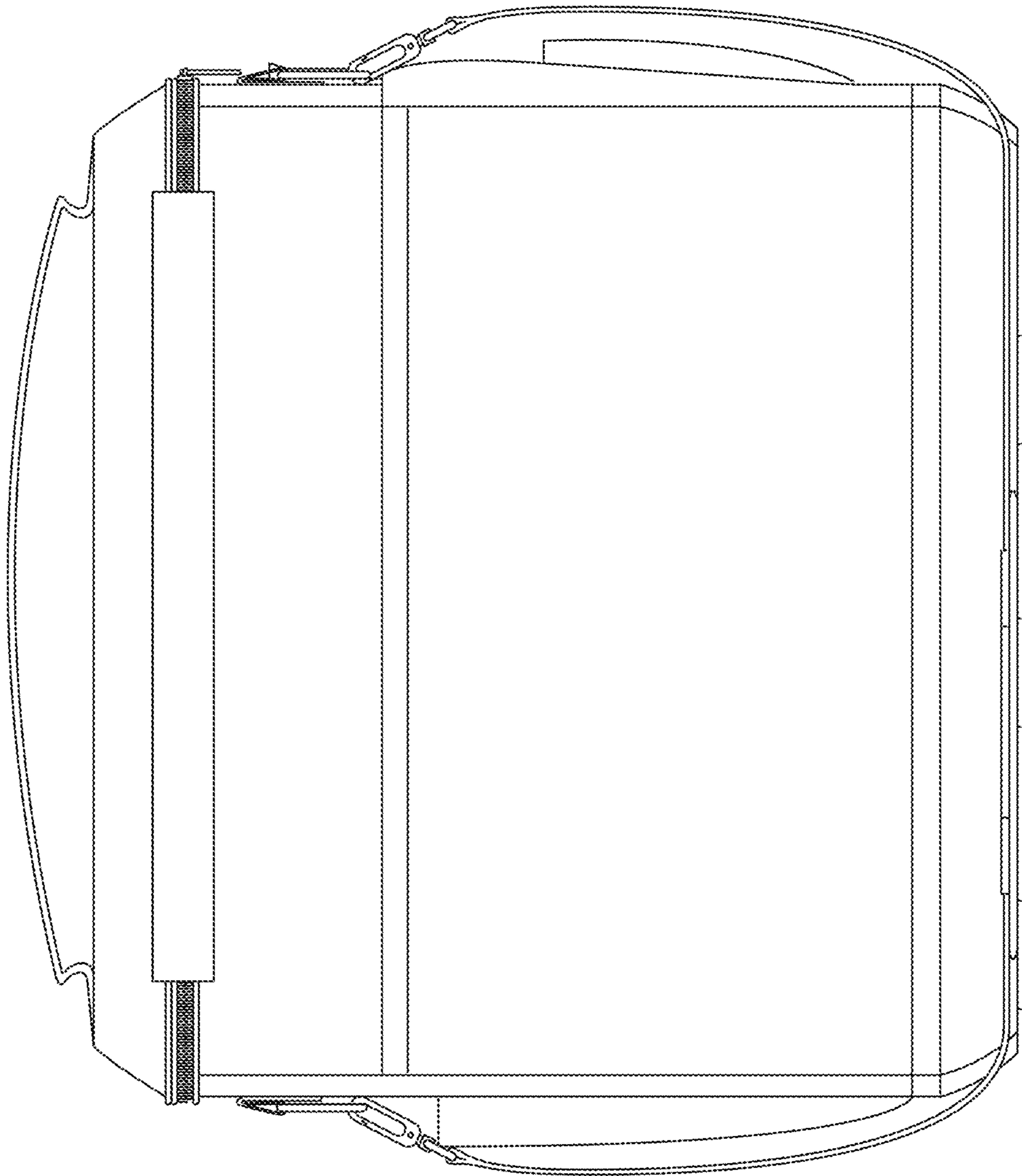


FIG. 12

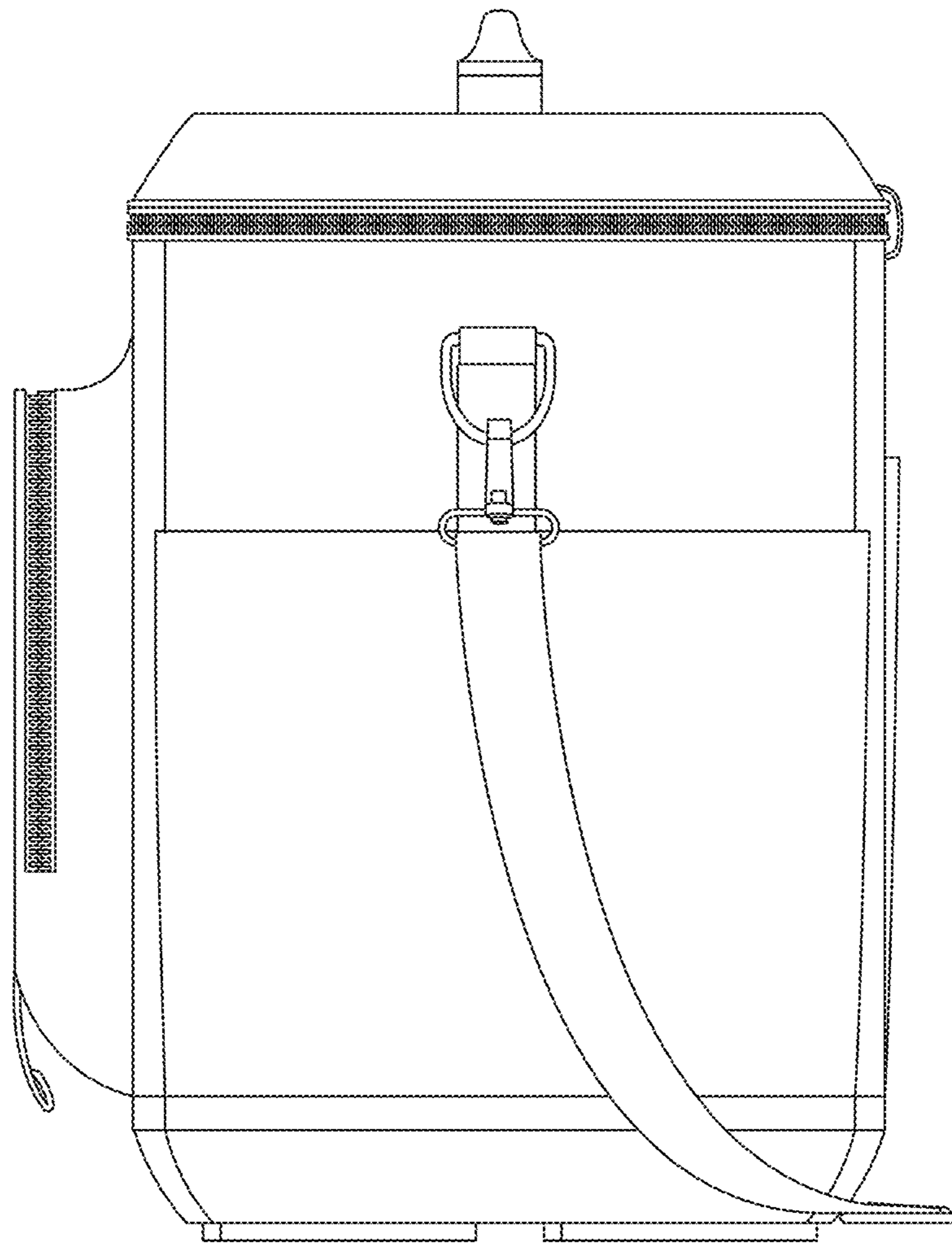


FIG. 13

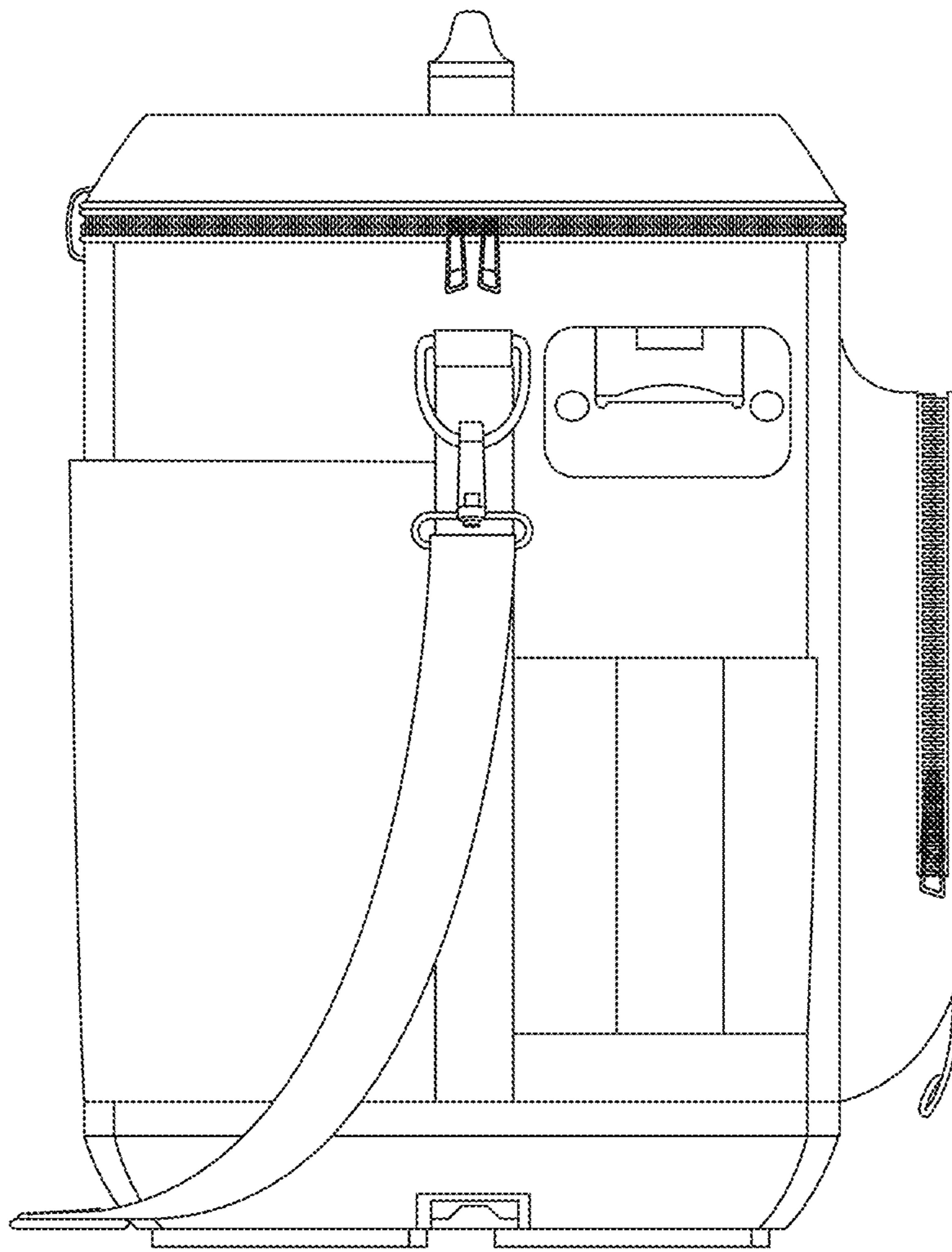


FIG. 14

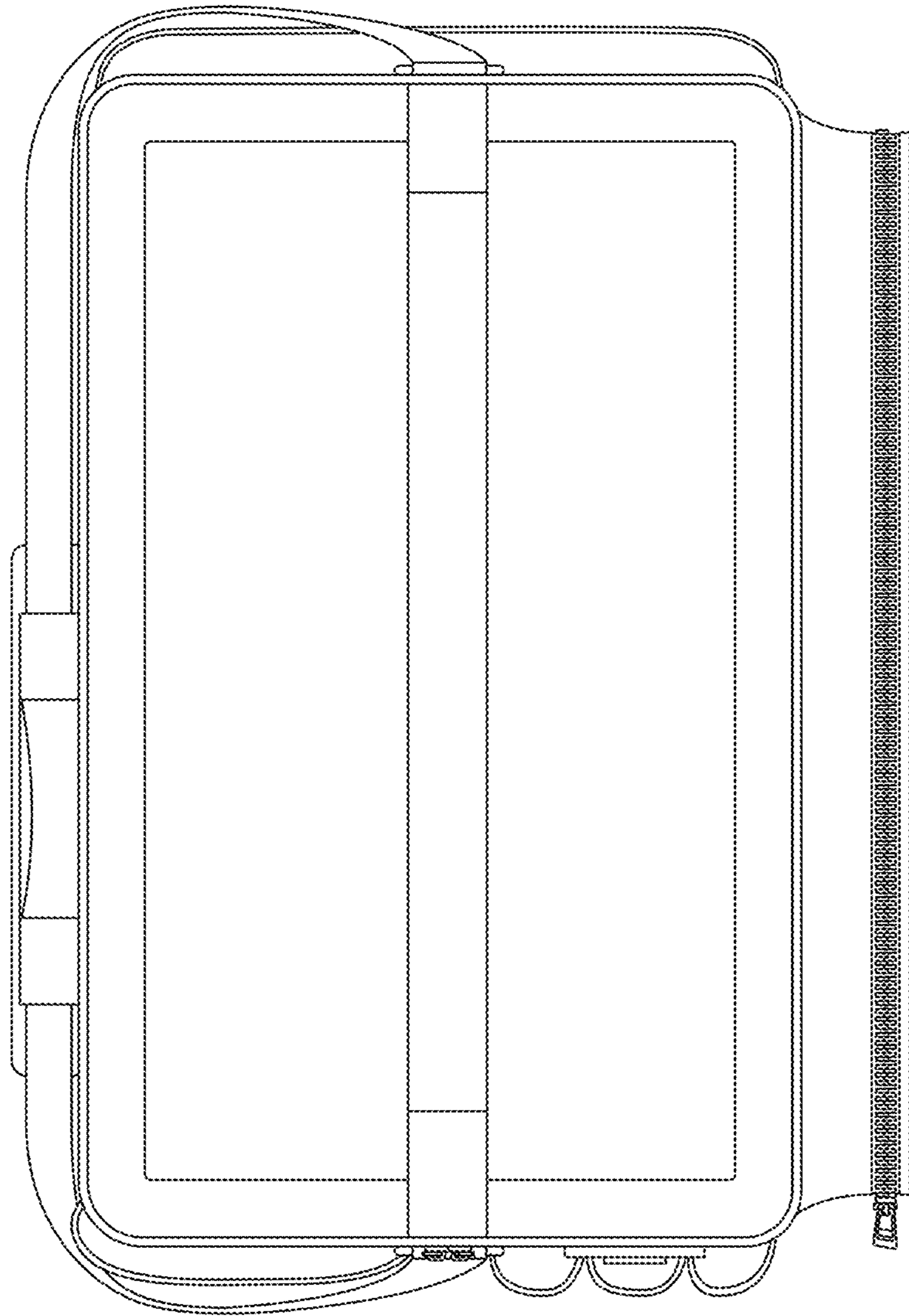


FIG. 15

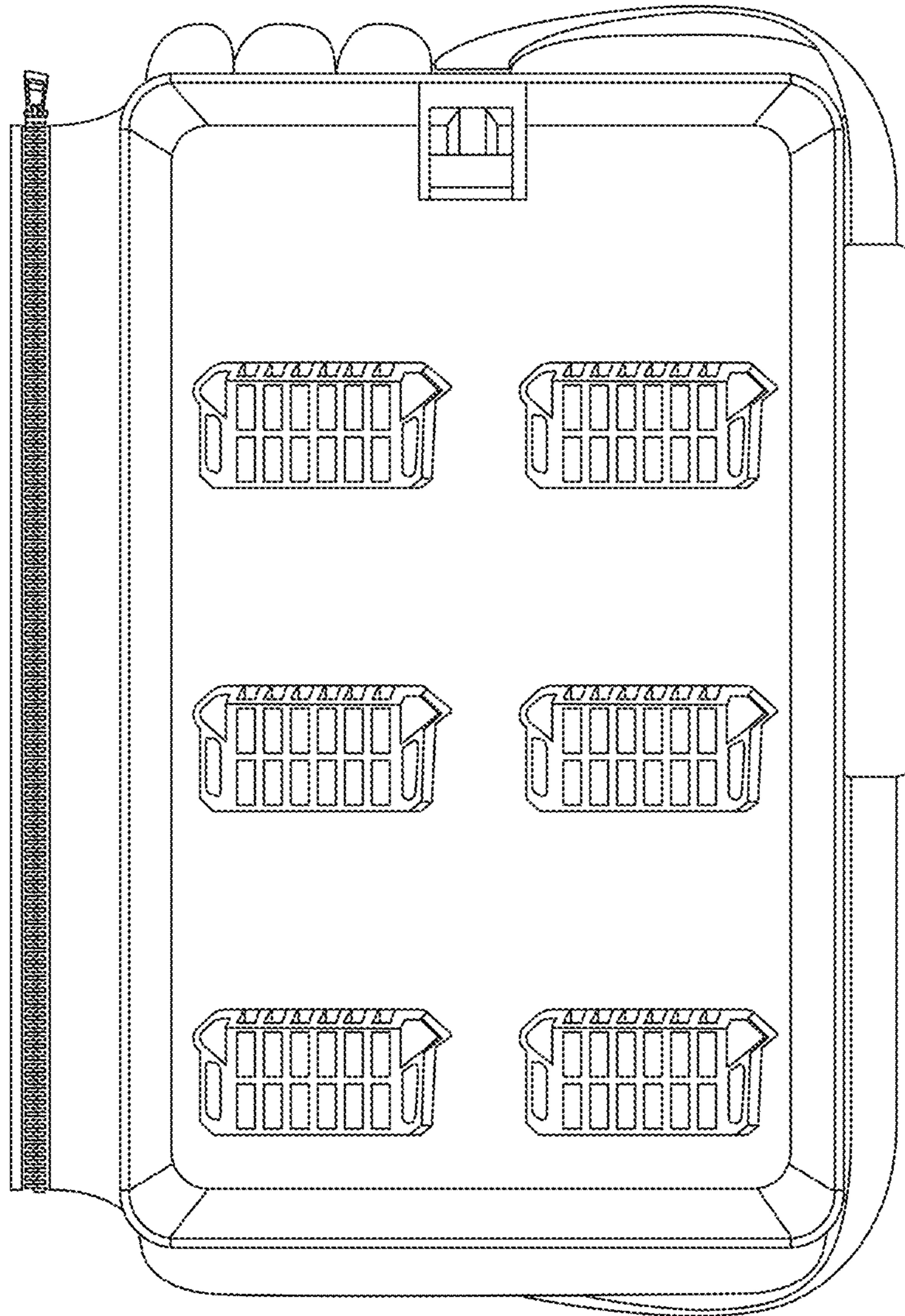


FIG. 16