



US00D920742S

(12) **United States Design Patent** (10) **Patent No.:** **US D920,742 S**
Paine (45) **Date of Patent:** **** Jun. 1, 2021**

(54) **LAP PLATE**
(71) Applicant: **Daryl Paine**, Corona, CA (US)
(72) Inventor: **Daryl Paine**, Corona, CA (US)
(**) Term: **15 Years**
(21) Appl. No.: **29/715,983**
(22) Filed: **Dec. 5, 2019**
(51) **LOC (13) Cl.** **07-01**
(52) **U.S. Cl.**
USPC **D7/553.2**
(58) **Field of Classification Search**
USPC D7/500, 505, 586-587, 545-546, 548,
D7/550.1, 553.1, 553.2, 601-602;
D3/304, 307, 314, 414
CPC A47G 23/06; A47G 23/0641; A47G 23/08;
A47G 23/0208; A47G 23/0633; A47G
23/0683; A47G 19/02; A47G 19/06;
B25H 3/06; A47B 23/00
See application file for complete search history.

(56) **References Cited**
U.S. PATENT DOCUMENTS

D308,773 S * 6/1990 Morrow D6/406.4
D311,828 S * 11/1990 Clark D6/406.5
D349,426 S * 8/1994 Norris D6/406.3
5,353,952 A 10/1994 Donche
D363,643 S * 10/1995 Eisenberg D7/546
D366,780 S * 2/1996 Brooks D6/406.3
D378,477 S * 3/1997 Sussman D6/406.5
6,305,532 B1 * 10/2001 Overkamp A47B 13/16
206/217
D516,382 S 3/2006 King et al.
D526,810 S * 8/2006 Lorr D6/406.5
7,172,072 B2 2/2007 Schiltz et al.
D608,150 S * 1/2010 Lilly D7/552.1
D638,636 S * 5/2011 Chauss D6/406.3
D653,873 S * 2/2012 Chauss D6/406.3

D718,981 S * 12/2014 Katterheinrich D7/550.1
D735,531 S * 8/2015 Wilson D7/505
D753,443 S 4/2016 Mock
D796,908 S * 9/2017 Dennis D7/553.2
D798,639 S * 10/2017 Halvorson, Jr. D6/705.1
D802,368 S 11/2017 Peng
D807,705 S 1/2018 Laurain
D843,177 S 3/2019 Gonterman
D848,757 S * 5/2019 Kelly D6/406.3
D883,901 S * 5/2020 McMurrin D12/419
2015/0208842 A1 7/2015 Mueller
2015/0230637 A1 8/2015 Kart et al.

* cited by examiner

Primary Examiner — Kelley A Donnelly
(74) *Attorney, Agent, or Firm* — Kirk A. Buhler; Buhler & Associates Patenting

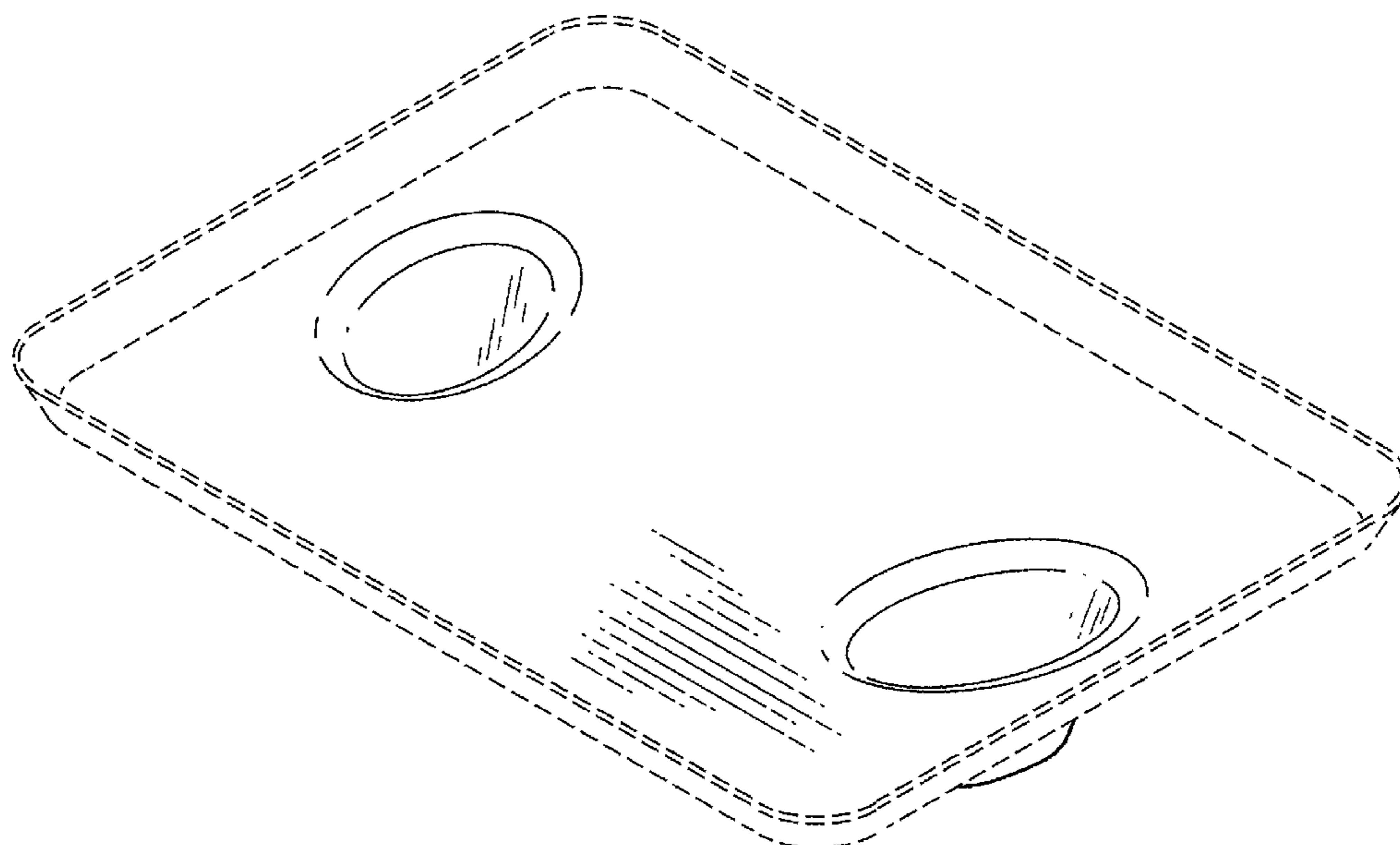
(57) **CLAIM**

The ornamental design for a lap plate, as shown and described.

DESCRIPTION

FIG. 1 is a top perspective view of a lap plate, showing my new design in its environment;
FIG. 2 is a top plan view thereof;
FIG. 3 is a bottom view thereof;
FIG. 4 is a right-side elevation view, the left side elevation view being a mirror image thereof;
FIG. 5 is a front elevation view, the left rear elevation view being a mirror image thereof;
FIG. 6 is a cross-sectional view taken along lines 6-6 from FIG. 4 thereof;
FIG. 7 is a bottom perspective view thereof; and,
FIG. 8 is a top perspective view thereof shown in an environment of use.
The broken lines in FIGS. 1-8 depict environmental subject matter of for the invention and form no part of the claimed design.

1 Claim, 7 Drawing Sheets



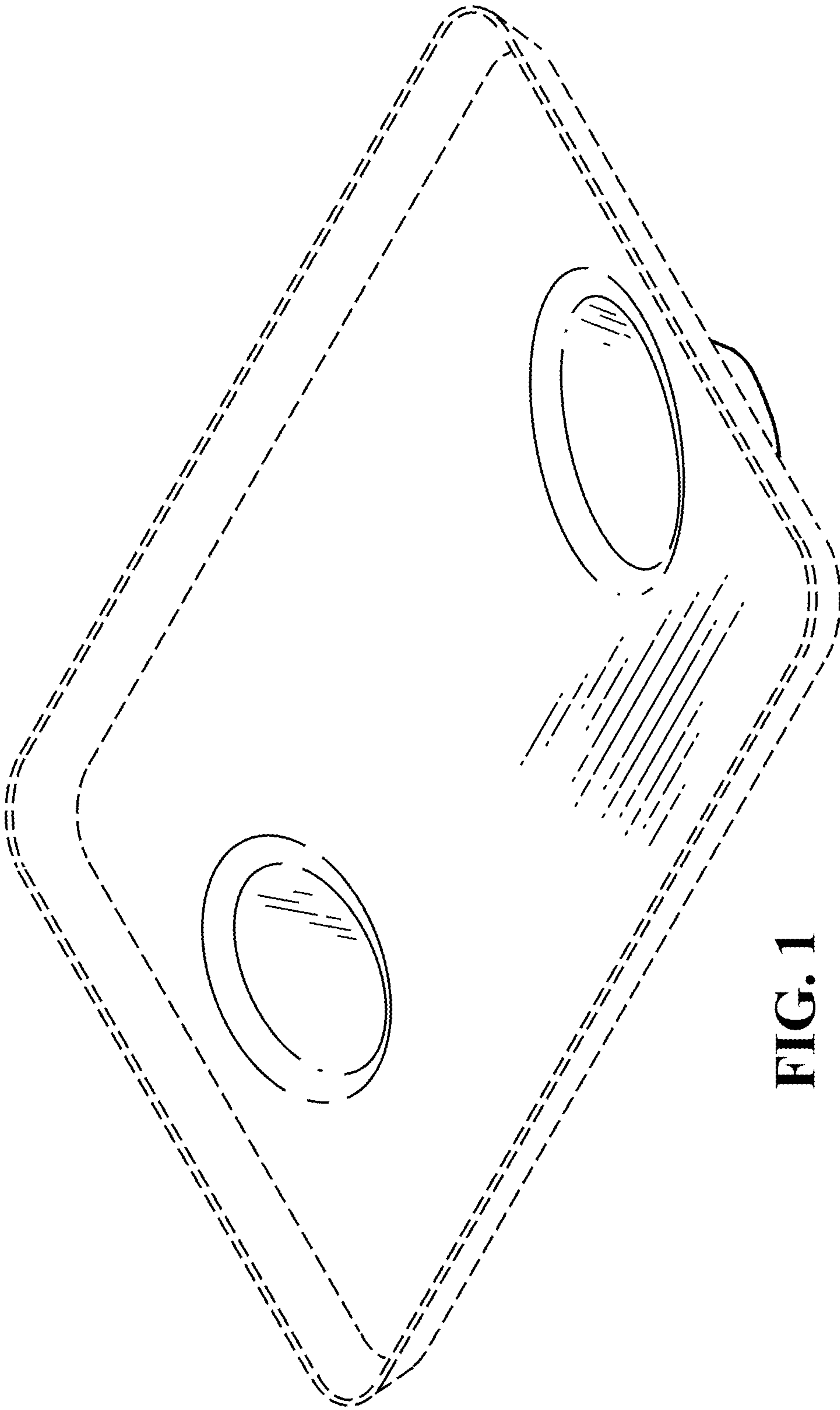


FIG. 1

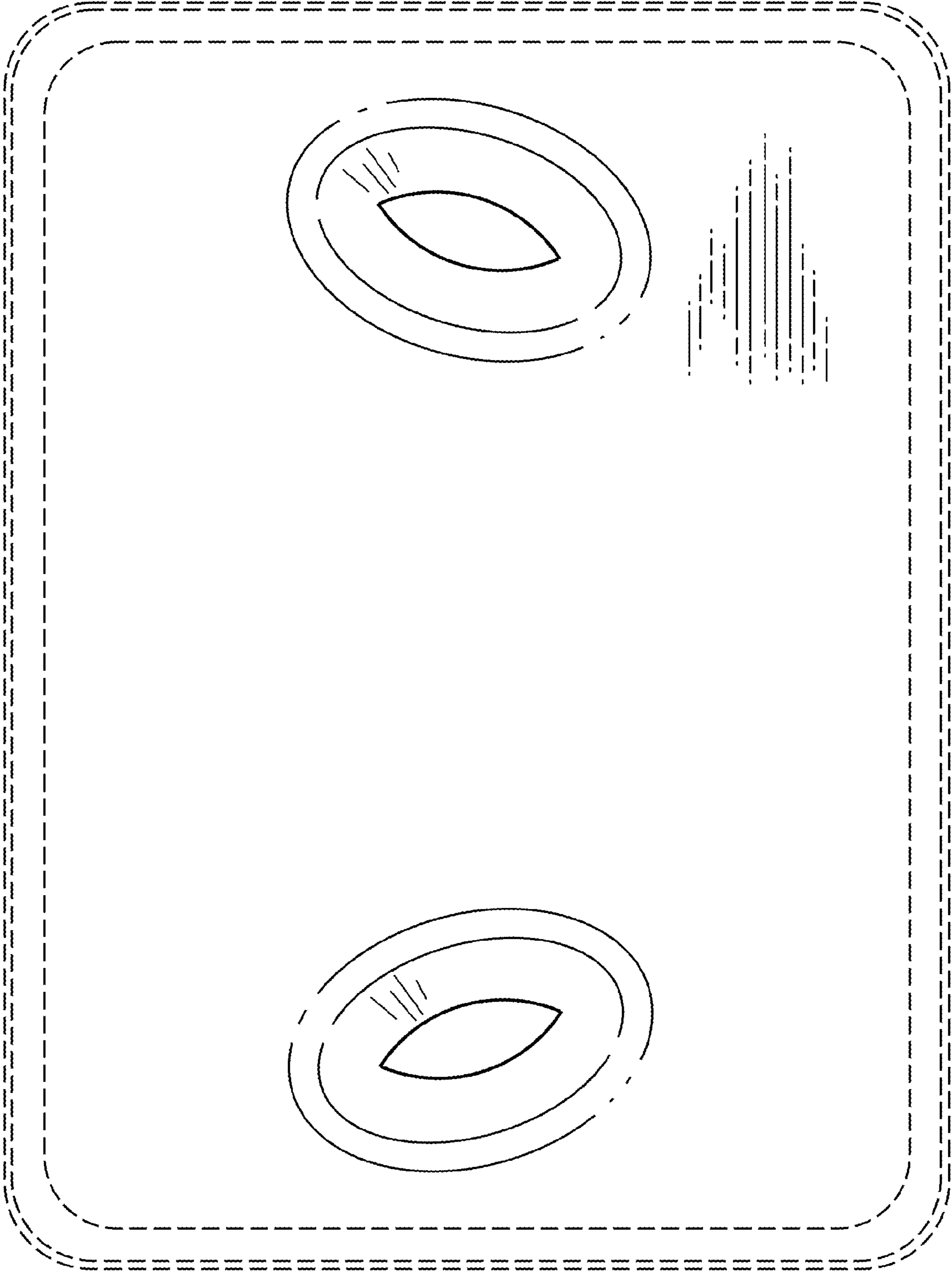


FIG. 2

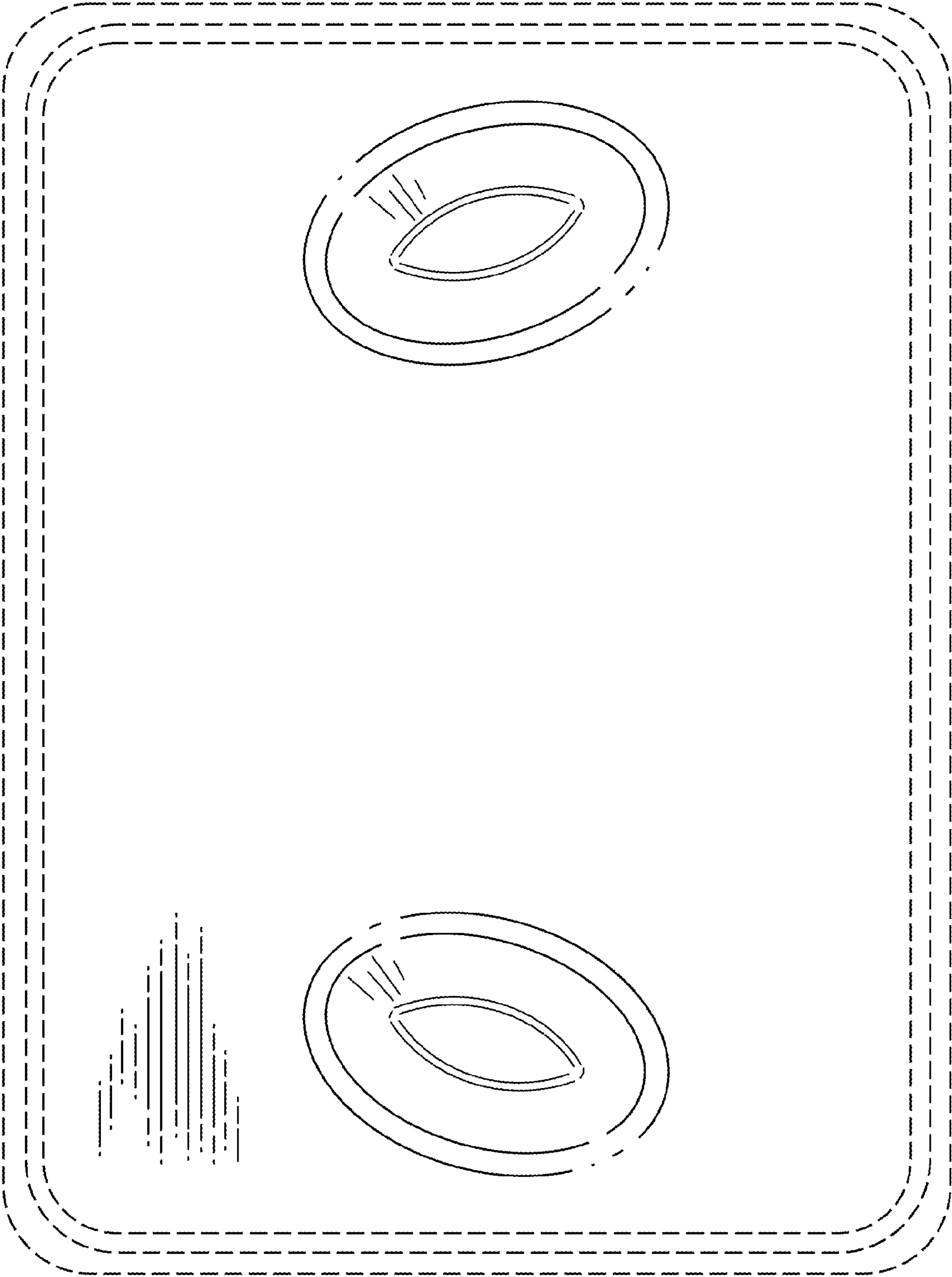


FIG. 3

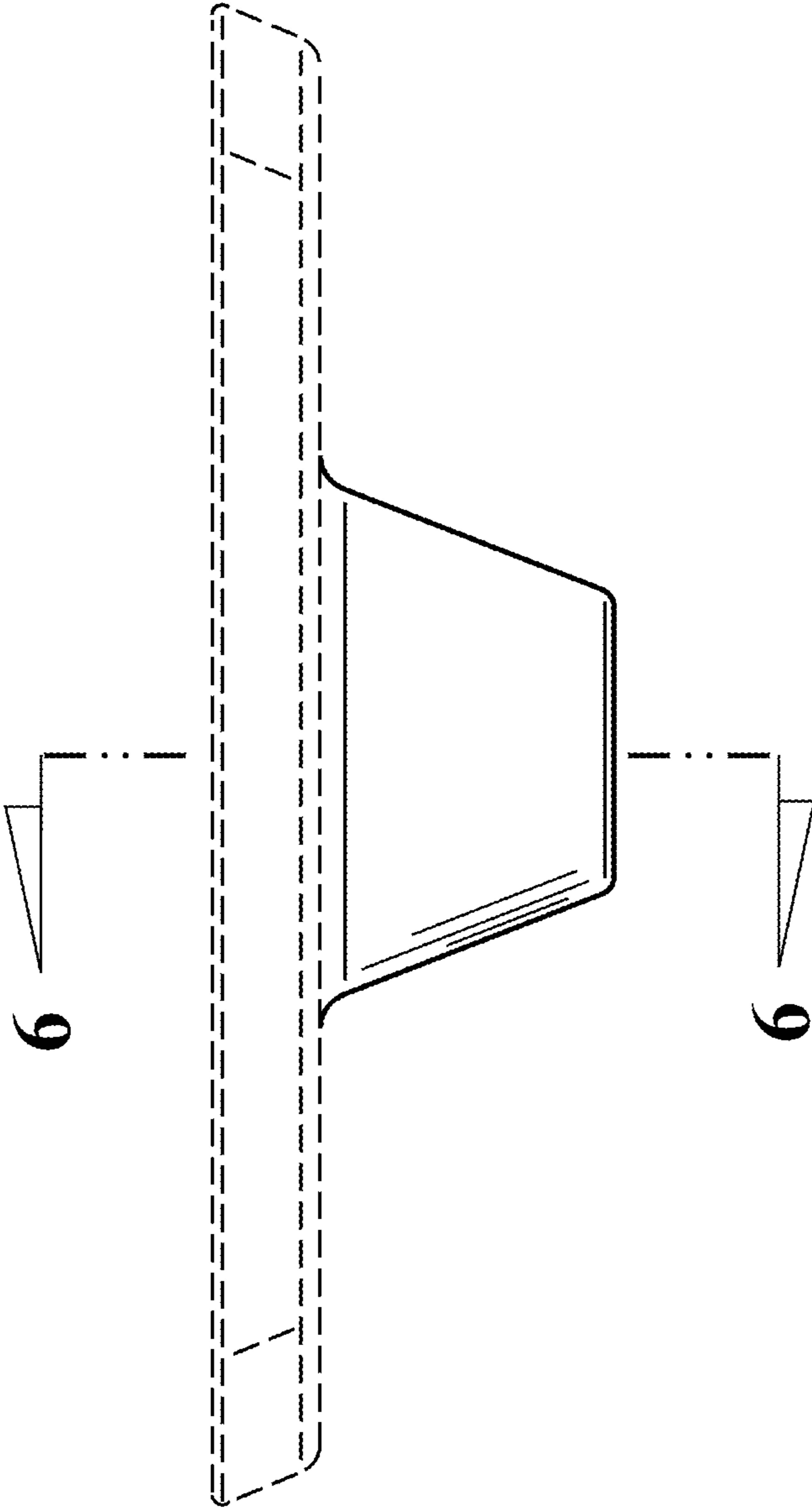


FIG. 4

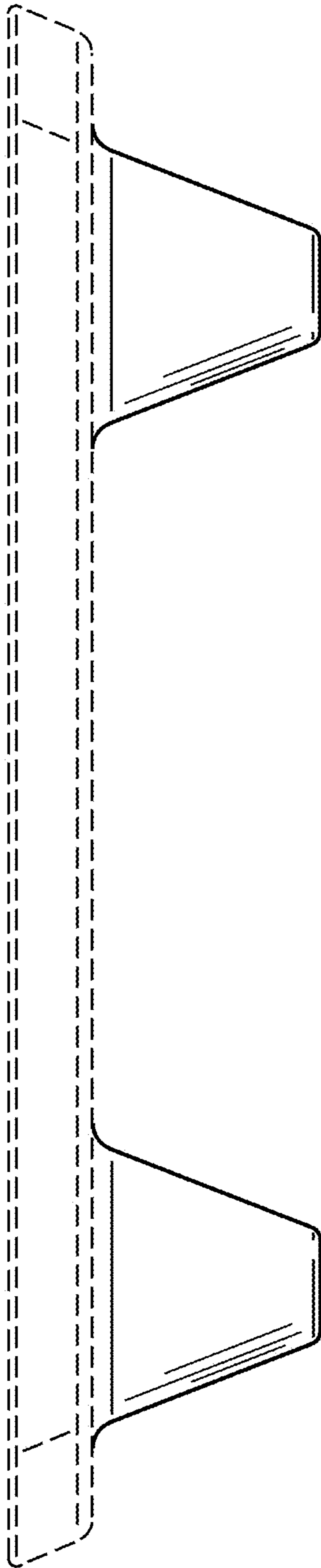


FIG. 5

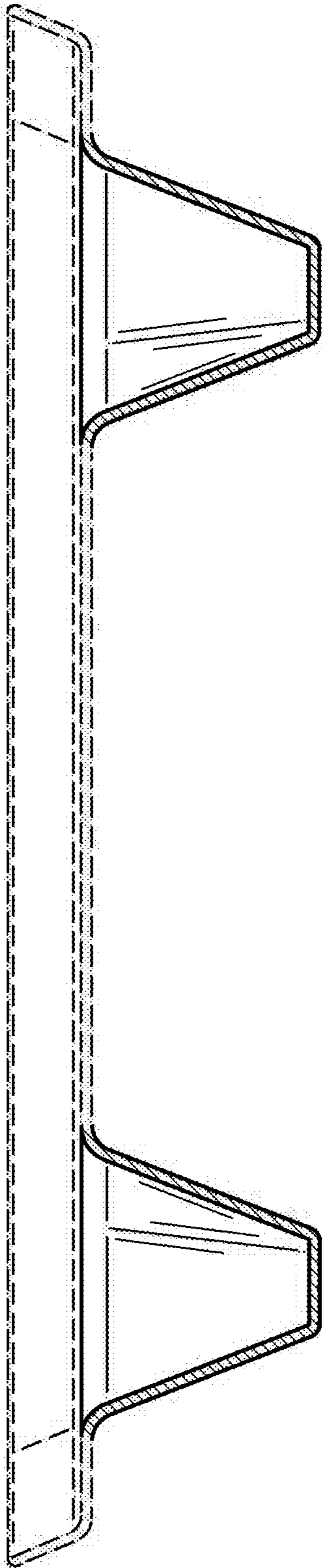


FIG. 6

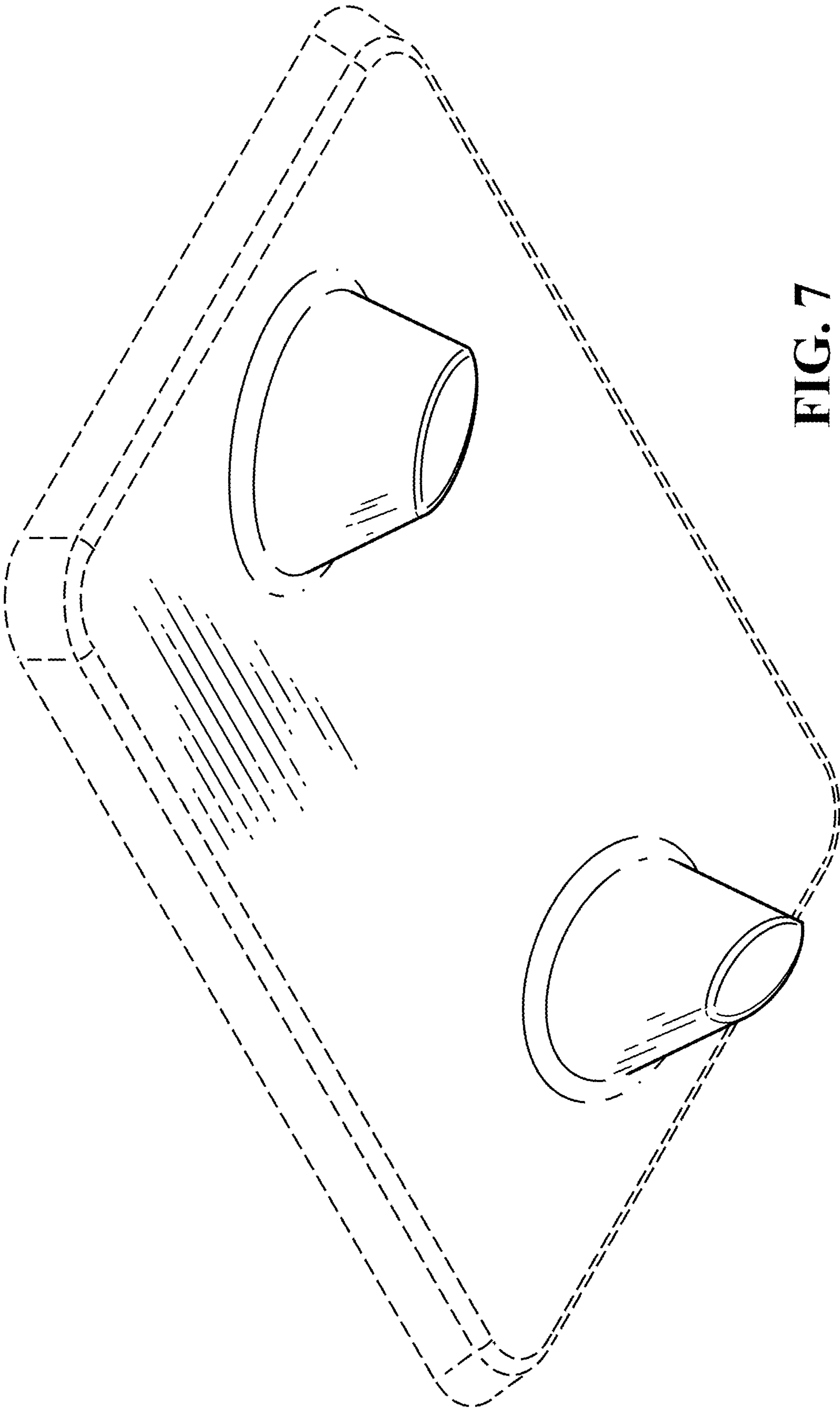


FIG. 7

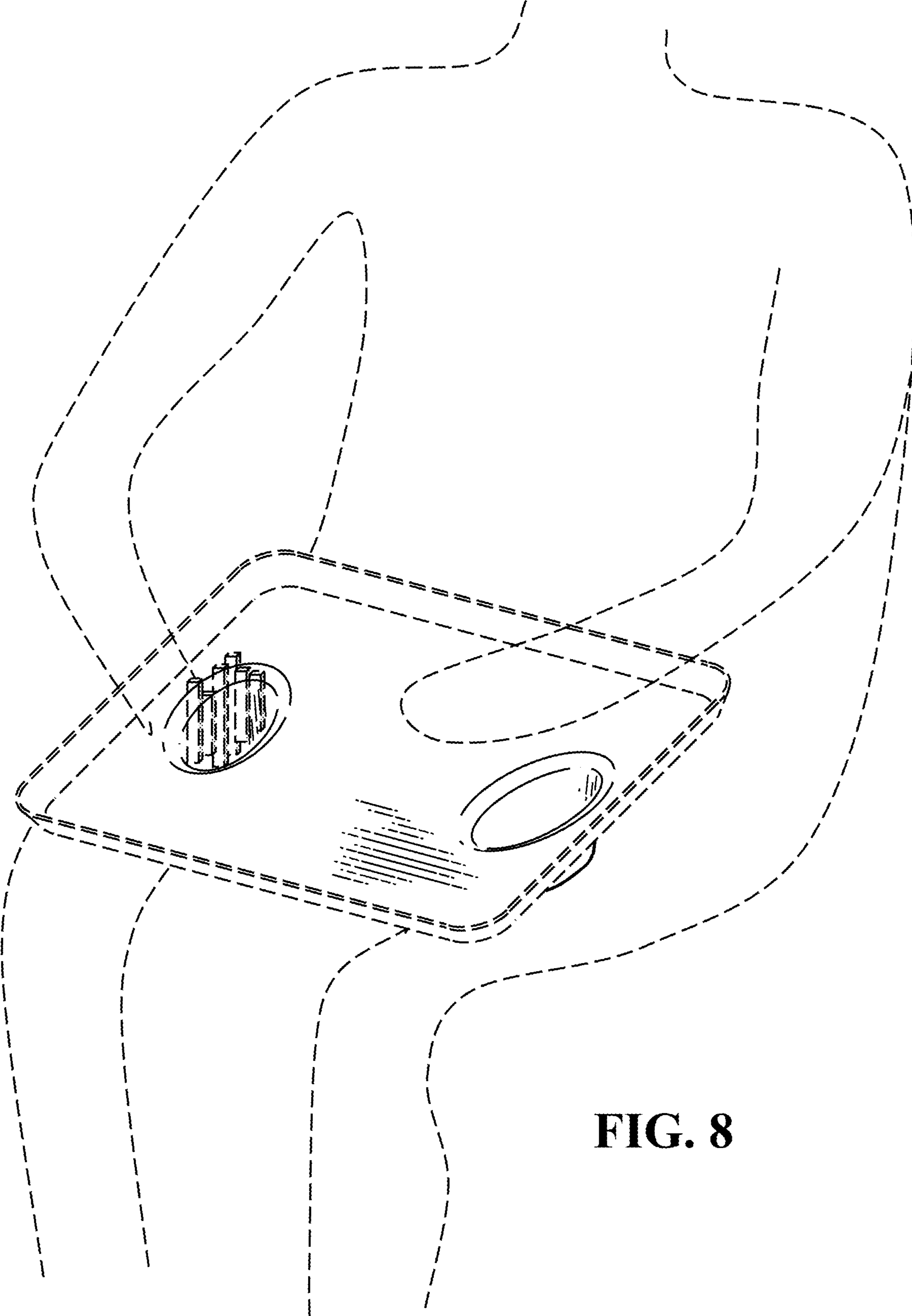


FIG. 8