



US00D920741S

(12) **United States Design Patent** (10) **Patent No.:** **US D920,741 S**  
**Kam** (45) **Date of Patent:** **\*\* Jun. 1, 2021**

(54) **COMBINED GREASE TRAY AND CONTROL KNOBS FOR A GRIDDLE**

3/06; F24C 3/062; F24C 3/067; F24C 15/16; F24C 15/168; F24C 15/26

See application file for complete search history.

(71) Applicant: **Rankam (China) Manufacturing Co. Ltd.**, Hong Kong (CN)

(56) **References Cited**

(72) Inventor: **Andy Ning Fan Kam**, Hong Kong (CN)

U.S. PATENT DOCUMENTS

(73) Assignee: **Rankam (China) Manufacturing Co. Ltd.**, Hong Kong (CN)

4,598,634 A 7/1986 Van Horn, II  
D657,183 S \* 4/2012 May ..... D7/334  
D769,668 S \* 10/2016 Lally ..... D7/334  
D857,439 S \* 8/2019 Chung ..... D7/334

(Continued)

(\*\*) Term: **15 Years**

OTHER PUBLICATIONS

(21) Appl. No.: **29/698,327**

Royal Gourmet 4-Burner Propane Gas Grill Griddle Outdoor Flat Top, Amazon, [online], first available Dec. 25, 2018, [site visited Mar. 3, 2021], Available from internet URL: <https://www.amazon.com/Royal-Gourmet-GB4001-4-Burner-Propane/dp/B07MKJYC9T> (Year: 2018).\*

(22) Filed: **Jul. 16, 2019**

(51) **LOC (13) Cl.** ..... **07-02**

(Continued)

(52) **U.S. Cl.**

USPC ..... **D7/406**

*Primary Examiner* — Mary Ann Calabrese

*Assistant Examiner* — Natalya M Rapundalo

(58) **Field of Classification Search**

USPC ..... D7/332-334, 337, 339-341, 346, 348, D7/349, 354, 360, 361, 391, 393-396, D7/402, 406; D8/300, 303, 310, 311, D8/315, 321; D15/89; D32/5, 6, 8, 25, D32/28

(74) *Attorney, Agent, or Firm* — Lucian Wayne Beavers; Patterson Intellectual Property Law, PC

(57) **CLAIM**

What is claimed is the ornamental design for a combined grease tray and control knobs for a griddle, as shown and described.

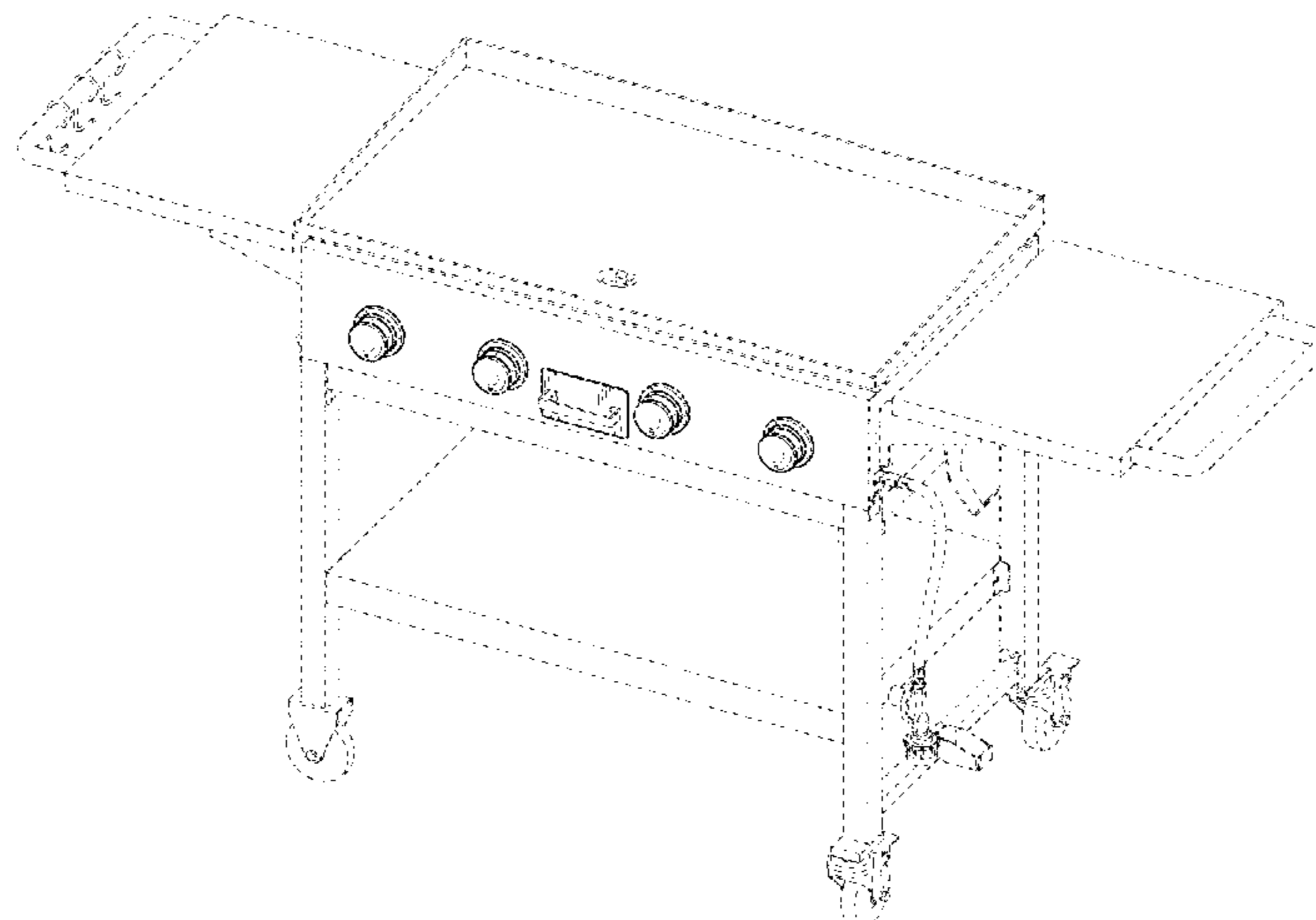
CPC .. A47J 27/00; A47J 36/00; A47J 36/06; A47J 37/0623; A47J 37/0647; A47J 37/07; A47J 37/0713; A47J 37/0727; A47J 37/074; A47J 37/0763; A47J 37/10; A47J 37/101; A47J 45/06; A47J 45/061; A47J 45/062; A47J 45/063; A47J 45/068; A47J 45/07; A47J 45/071; A47J 45/072; A47J 45/074; F24B 1/00; F24B 1/191; F24B 1/20; F24C 1/00; F24C 3/00; F24C 3/002; F24C 3/008; F24C 3/02; F24C 3/04; F24C 3/042; F24C 3/047; F24C

**DESCRIPTION**

FIG. 1 is a top front perspective view of a combined grease tray and control knobs for a griddle.  
FIG. 2 is a front elevation view thereof.  
FIG. 3 is a rear elevation view thereof.  
FIG. 4 is a left side elevation view thereof.  
FIG. 5 is a right side elevation view thereof.  
FIG. 6 is a top view thereof; and,  
FIG. 7 is a bottom view thereof.

The broken lines shown in the drawings depict portions of the combined grease tray and control knobs for a griddle that

(Continued)



form no part of the claimed design and illustrate environment that forms no part of the claimed design.

**1 Claim, 6 Drawing Sheets**

(56) **References Cited**

U.S. PATENT DOCUMENTS

D901,245 S \* 11/2020 Chung ..... A47J 37/0682  
D7/406  
2004/0261623 A1 12/2004 Huggler et al.  
2019/0343331 A1\* 11/2019 Dahle ..... A47J 37/0682

OTHER PUBLICATIONS

Outdoor Gas Griddle, Model No. GR2298901-GS-00, first available Jun. 25, 2019, Appliance Factory, [online], [site visited Mar. 4, 2021], Available from internet URL: [https://www.appliancefactoryparts.com/content/pdfs/284406-1 .pdf](https://www.appliancefactoryparts.com/content/pdfs/284406-1.pdf) (Year: 2019).\*

Rankam Propane Outdoor 4-Burner Stainless Steel Gas Griddle, Amazon, [online], [site visited Mar. 3, 2021], Available from internet URL: <https://uedata.amazon.com/RANKAM-Propane-Outdoor-4-Burner-Stainless/dp/B0844J7RMQ> (Year: 2021).\*

4 Burner Griddle Grill, Rankam Group, [online], [site visited Mar. 3, 2021], Available from internet URL: <http://www.rankam.com/Product/Detail/329> (Year: 2021).\*

Wells G-246 Drop-In 49" Countertop Electric Griddle, Webstaurant Store, [online], [site visited Mar. 4, 2021], Available from internet URL: <https://www.webstaurantstore.com/wells-g-246-drop-in-49-countertop-electric-griddle-480v-21500w/942G246F.html> (Year: 2021).\*

Co-pending U.S. Appl. No. 29/698,325, filed Jul. 16, 2019, 2 pp.

Co-pending U.S. Appl. No. 16/512,904, filed Jul. 16, 2019, 23 pp.

\* cited by examiner

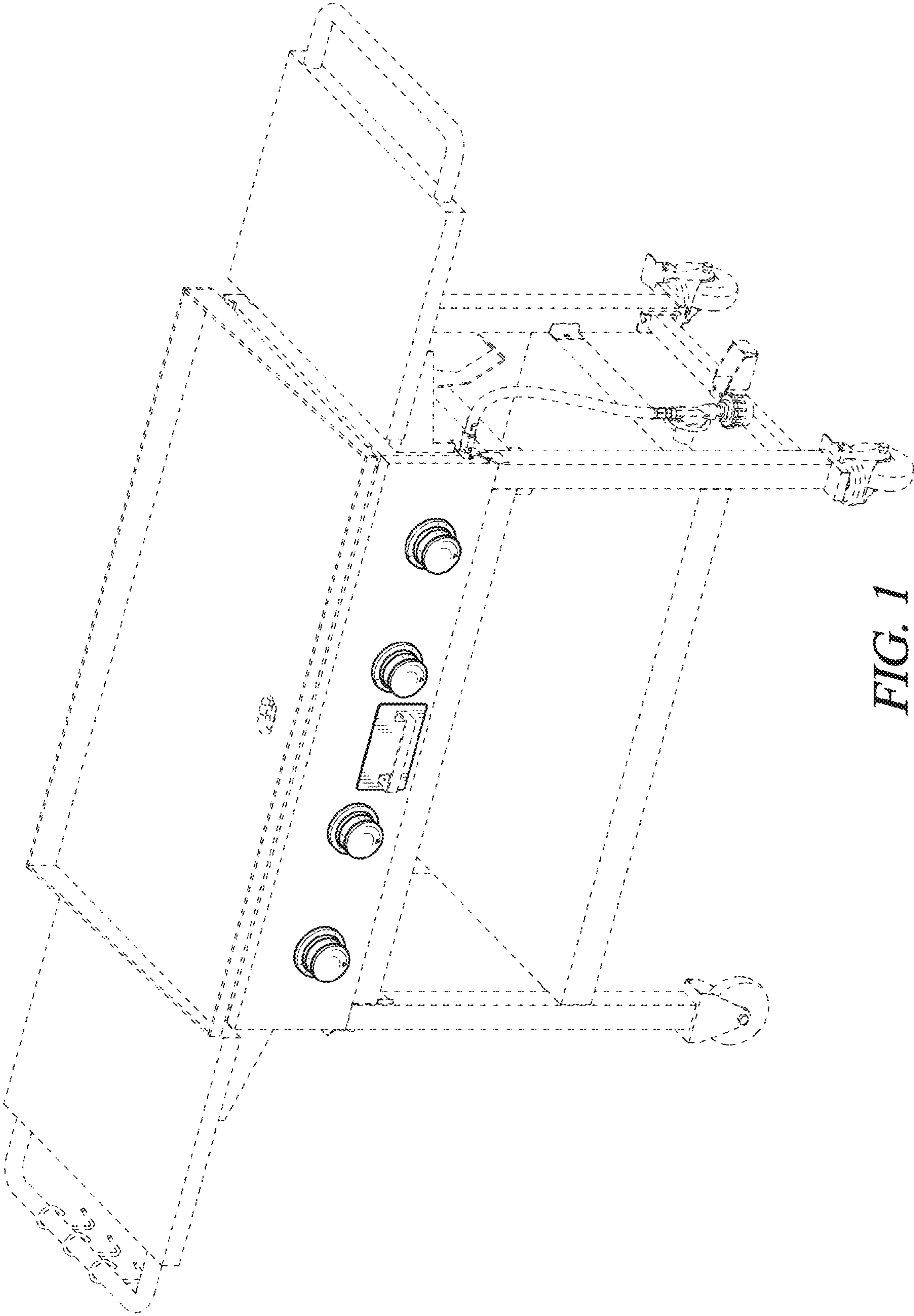


FIG. 1

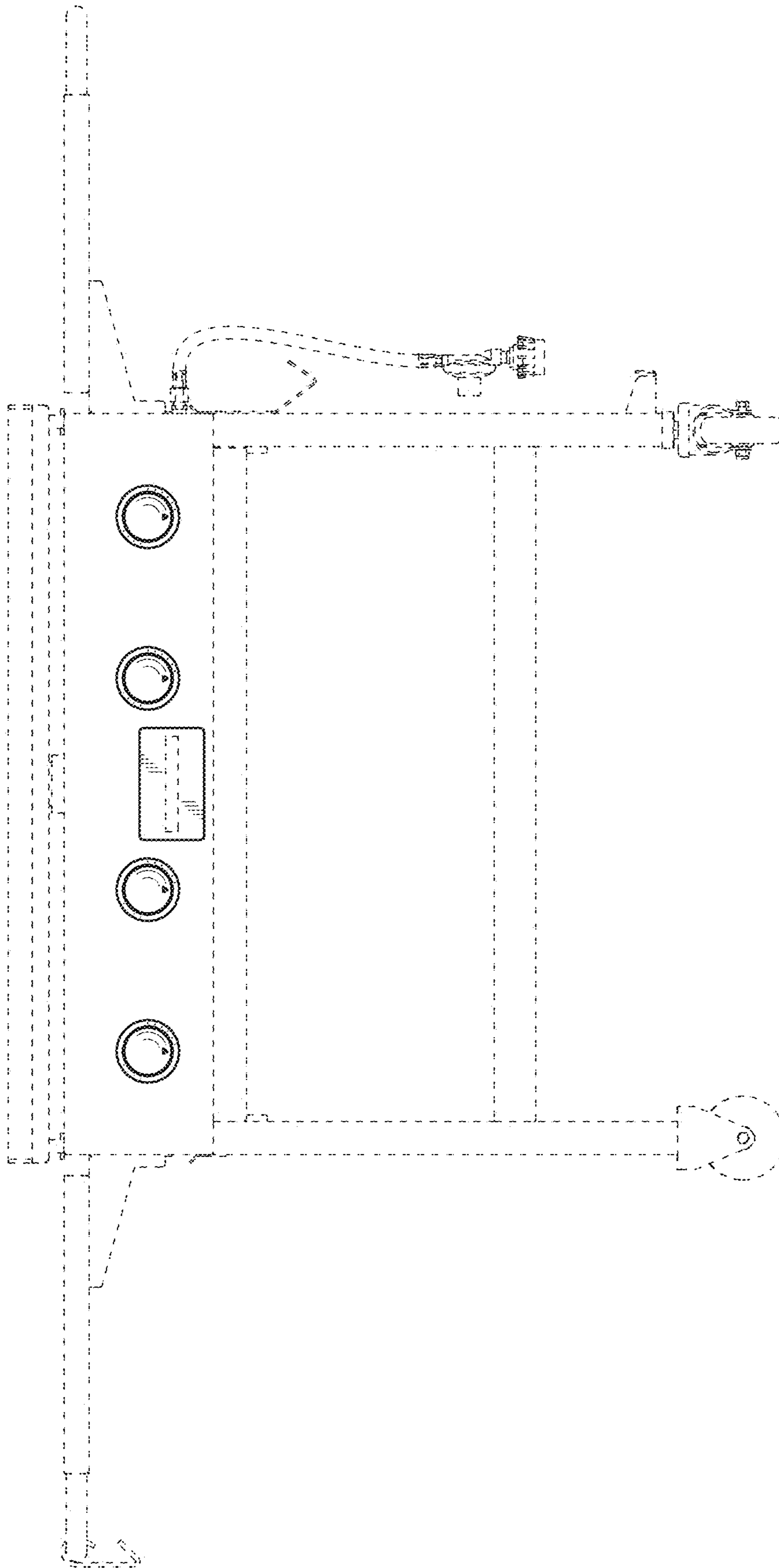


FIG. 2

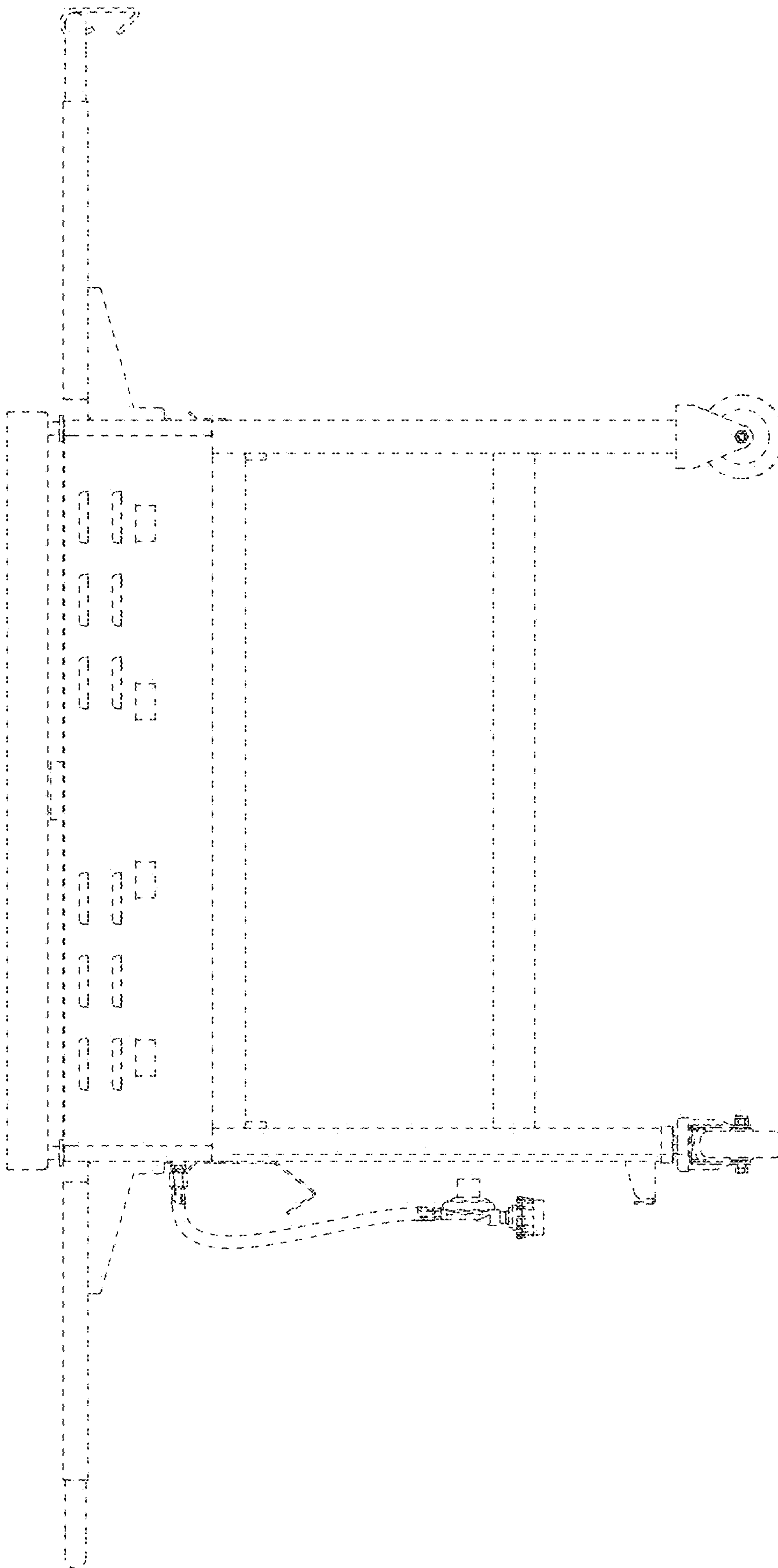


FIG. 3

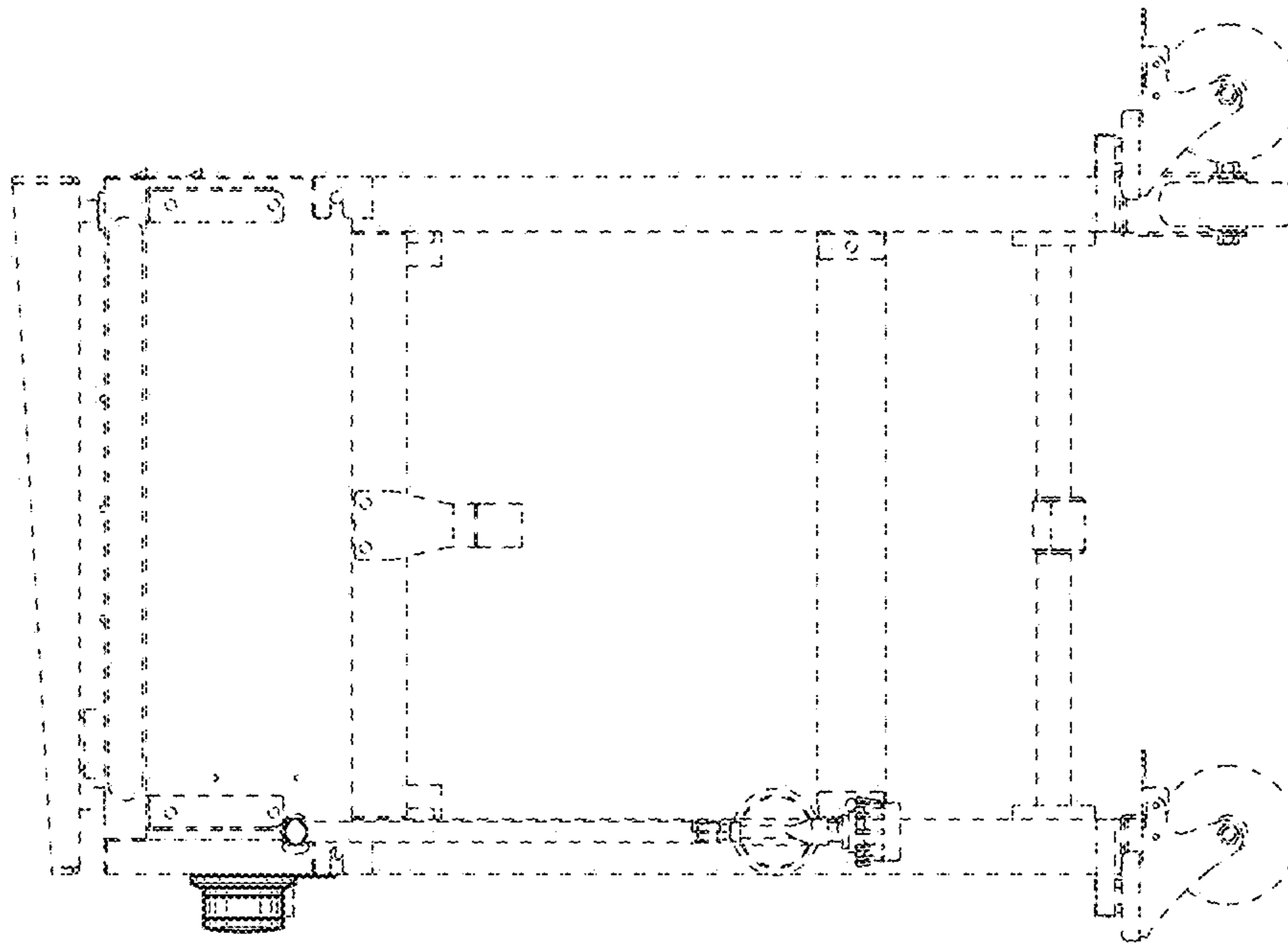


FIG. 5

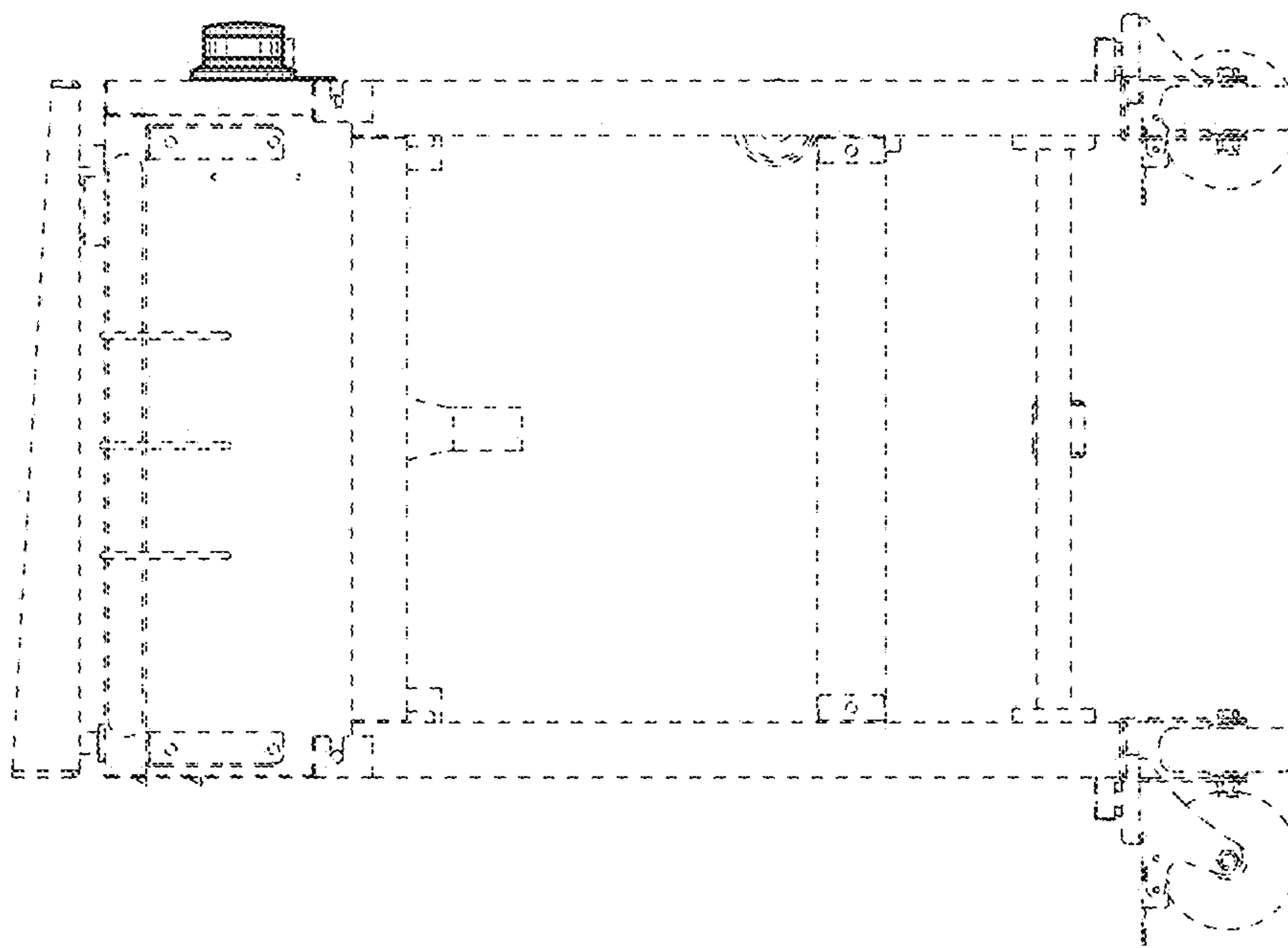


FIG. 4

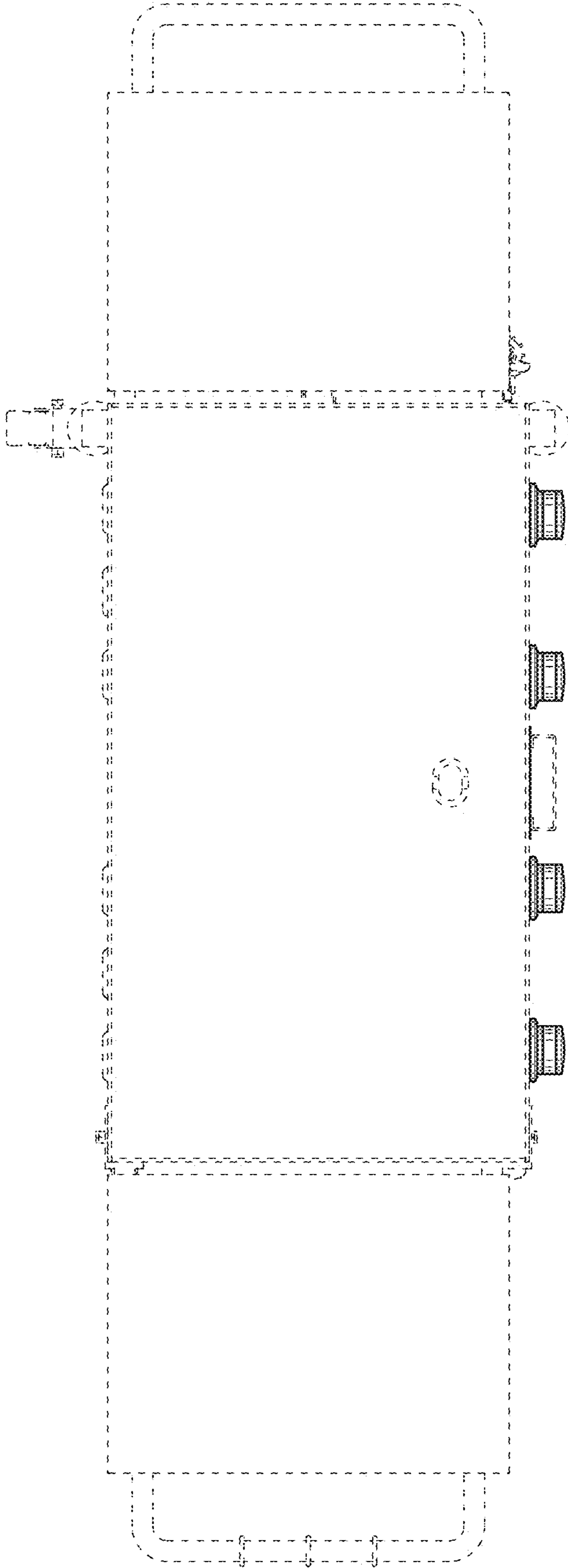


FIG. 6

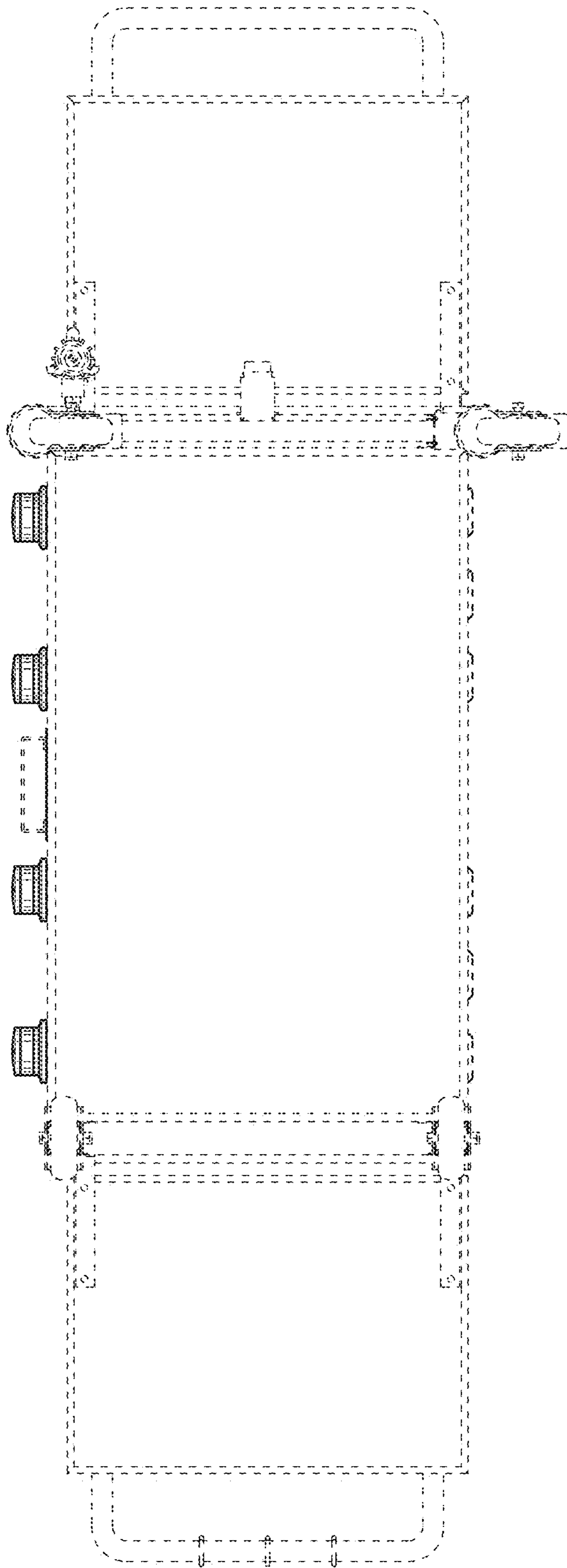


FIG. 7