



US00D920739S

(12) **United States Design Patent**
Omdahl, II et al.

(10) **Patent No.:** **US D920,739 S**
(45) **Date of Patent:** **** Jun. 1, 2021**

(54) **LID**
(71) Applicant: **Runway Blue, LLC**, Alpine, UT (US)
(72) Inventors: **John R. Omdahl, II**, Lindon, UT (US);
David O. Meyers, Layton, UT (US)

D626,837 S 11/2010 Meyers et al.
D628,483 S 12/2010 McKinney et al.
D653,081 S 1/2012 George
D679,541 S 4/2013 Samartgis
D690,989 S 10/2013 Cetera et al.
(Continued)

(73) Assignee: **Runway Blue, LLC**, Alpine, UT (US)
(**) Term: **15 Years**

FOREIGN PATENT DOCUMENTS

WO WO2015109197 A1 7/2015
WO WO2016163924 A1 10/2016

(21) Appl. No.: **29/764,064**

(22) Filed: **Dec. 28, 2020**

Related U.S. Application Data

(62) Division of application No. 29/598,767, filed on Mar. 28, 2017, now Pat. No. Des. 906,757.

Blender Bottle: Announced Jun. 18, 2017 (online). Site Visited [Mar. 23, 2021], Available from Internet URL: <https://www.blenderbottle.com/products/replacement-lids?variant=15599960391747#reviews>.*

(Continued)

(51) **LOC (13) Cl.** **07-99**

(52) **U.S. Cl.**
USPC **D7/392.1; D7/396.2**

Primary Examiner — Catherine S Posthauer
(74) *Attorney, Agent, or Firm* — Sterne, Kessler, Goldstein & Fox P.L.L.C.

(58) **Field of Classification Search**
USPC D6/515, 542; D7/391, 392, 392.1, 396.1, D7/396.2, 397, 398; D9/434, 435, 436, D9/439, 440, 447, 448, 449, 450, 452, D9/454, 682, 685, 686, 688, 690, 723, D9/729, 503, 504, 505, 516, 529, 548, D9/549

CPC B65D 47/065; B65D 47/066; B65D 1/46; B65D 41/00; B65D 41/38; B65D 41/56; B65D 41/63; B65D 47/00; B65D 47/06; B65D 47/08; B65D 2251/00; B65D 85/804; B65D 25/082; A47G 19/2205; A47G 19/2222; A45F 3/16; A45F 3/20; B67D 7/06; B67D 7/0004; A61J 1/00; A61J 1/1412; A47J 31/407

See application file for complete search history.

(57) **CLAIM**

The ornamental design for a lid, as shown and described.

(56) **References Cited**

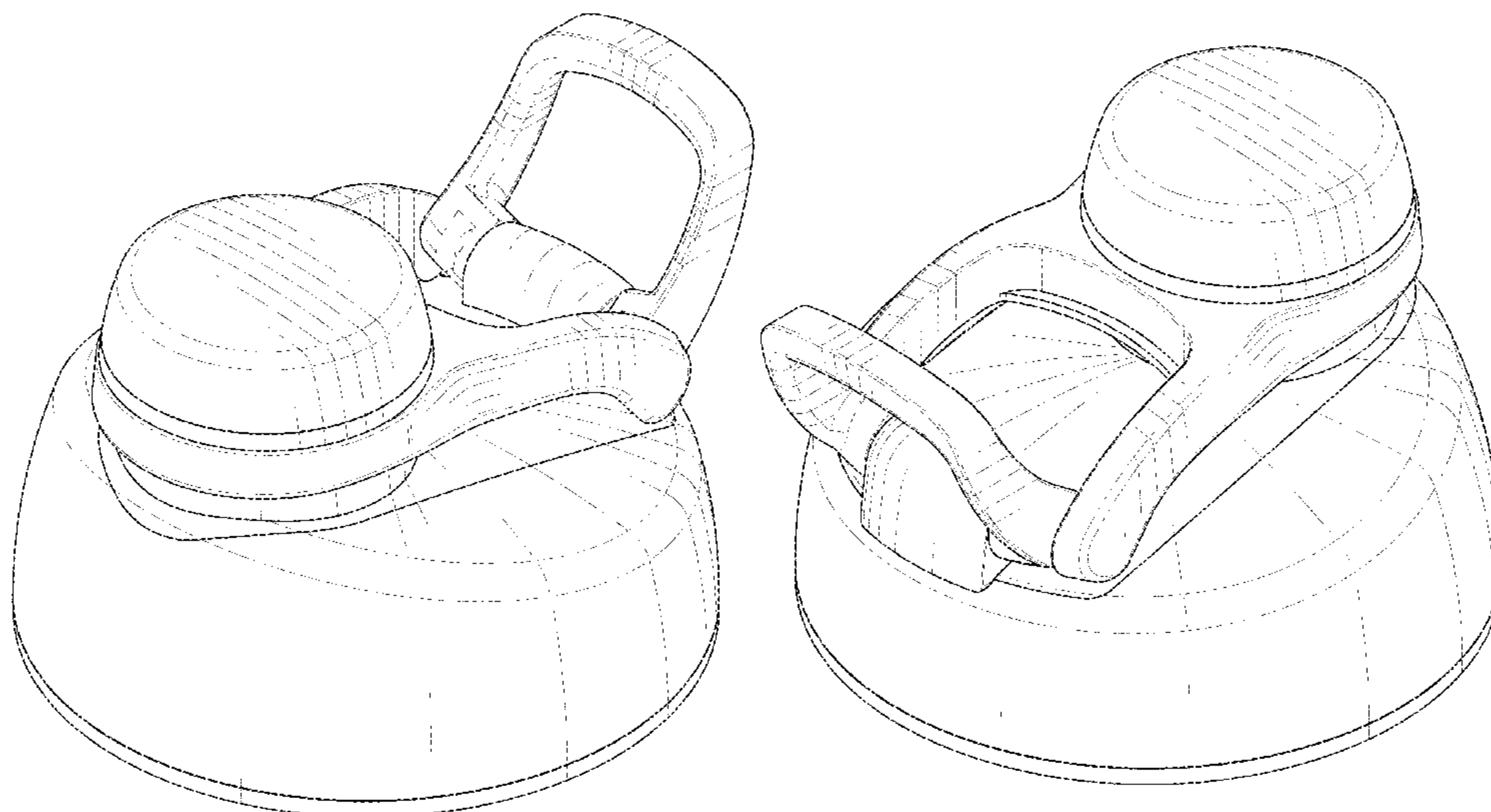
U.S. PATENT DOCUMENTS

D490,235 S 5/2004 Nykoluk
D517,373 S 3/2006 Cappellino et al.

DESCRIPTION

FIG. 1 is a top front perspective view of a lid showing the claimed design;
FIG. 2 is a top rear perspective view of the lid shown in FIG. 1;
FIG. 3 is a front view of the lid shown in FIG. 1;
FIG. 4 is a rear view of the lid shown in FIG. 1;
FIG. 5 is a left side view of the lid shown in FIG. 1;
FIG. 6 is a right side view of the lid shown in FIG. 1;
FIG. 7 is a top view of the lid shown in FIG. 1; and,
FIG. 8 is a bottom view of the lid shown in FIG. 1.
The broken lines are shown for the purpose of illustrating parts of the article that form no part of the claimed design.

1 Claim, 8 Drawing Sheets



(56)

References Cited

U.S. PATENT DOCUMENTS

D696,551 S 12/2013 Meyers et al.
 D699,996 S 2/2014 De Leo
 D700,012 S 2/2014 Hurley et al.
 D707,124 S 6/2014 Blain et al.
 D719,780 S 12/2014 Sullivan
 D720,184 S 12/2014 Gilbert
 D729,569 S 5/2015 Herbst et al.
 D730,694 S 6/2015 Elsaden et al.
 D739,174 S 9/2015 Elsaden et al.
 D739,674 S 9/2015 Bergstrom
 D745,827 S 12/2015 Sorensen et al.
 D747,624 S 1/2016 Walker
 D748,430 S 2/2016 Sorensen et al.
 D748,478 S 2/2016 Sorensen et al.
 D748,943 S 2/2016 Miller et al.
 D756,702 S * 5/2016 Joseph D7/392.1
 D758,127 S 6/2016 Zhao
 D758,189 S 6/2016 Roth et al.
 D763,688 S 8/2016 Breit et al.
 D768,491 S 10/2016 Sorensen et al.
 D779,872 S 2/2017 Bergstrom
 D780,516 S 3/2017 Cornelius
 D786,072 S 5/2017 Breit et al.
 D792,216 S 7/2017 Breit et al.
 D792,742 S 7/2017 Meyers et al.
 D793,154 S 8/2017 Sorensen et al.
 D794,386 S 8/2017 Steel et al.
 D799,270 S 10/2017 Polk
 D801,111 S * 10/2017 Eyal D7/392.1
 9,790,007 B2 10/2017 Sorensen et al.
 D802,366 S 11/2017 Cerasani
 D802,993 S 11/2017 Joseph et al.
 D808,711 S 1/2018 Joseph et al.
 D808,713 S 1/2018 Rane et al.
 D810,502 S 2/2018 Joseph et al.
 D811,810 S 3/2018 Joseph et al.
 D817,084 S * 5/2018 Hammer D7/392.1
 D817,085 S 5/2018 Davis
 D820,038 S 6/2018 Sorensen et al.

D820,635 S * 6/2018 Hammer D7/392.1
 D824,721 S * 8/2018 Hu D7/392.1
 D843,778 S * 3/2019 Yao D7/392.1
 D847,563 S * 5/2019 Jacobsen D7/396.2
 D848,210 S 5/2019 Omdahl et al.
 D848,786 S * 5/2019 Bujalska D7/392.1
 D854,880 S 7/2019 Meyers et al.
 D862,157 S 10/2019 Barber
 D864,657 S 10/2019 Omdahl et al.
 D867,811 S * 11/2019 Lane D7/392
 D878,149 S 3/2020 Omdahl et al.
 D889,193 S 7/2020 Alles
 D896,024 S * 9/2020 Wang D7/392.1
 D906,757 S * 1/2021 Omdahl, II D7/396.2
 D913,036 S * 3/2021 Steenari D7/392.1
 2011/0253733 A1 10/2011 Meyers et al.
 2012/0061398 A1 3/2012 Nilsson
 2013/0062304 A1 3/2013 Meyers et al.
 2014/0069918 A1 3/2014 Meyers et al.
 2014/0091086 A1 4/2014 Sorensen et al.
 2014/0360908 A1 12/2014 Sorensen et al.
 2015/0173539 A1 * 6/2015 Mason B65D 47/063
 220/707
 2015/0201773 A1 * 7/2015 Sorensen A47J 43/27
 220/254.5
 2015/0329255 A1 11/2015 Rzepecki
 2017/0105581 A1 4/2017 Enghard
 2017/0225850 A1 8/2017 Sorensen et al.

OTHER PUBLICATIONS

SportMixer. Reportedly accessed by the USPTO on Sep. 10, 2020. URL: <https://www.blenderbottle.com/products/sportmixer#reviews>.
 Target. Simple Modem Summit Water Bottle. Reportedly accessed by the USPTO on Apr. 23, 2018. URL: <https://bit.ly/2K7vf81>.
 Simple Modem Summit Water Bottle Lid 3 Pack—Flip Lid with Handle, Insulated Straw Lid, and Insulated Chug Lid. URL: <https://www.simplemodem.com/products/summit-water-bottle-lid-3-pack-flip-lid-with-handle-insulated-straw-lid-and-insulated-chug-lid?variant=30864679174216>.

* cited by examiner

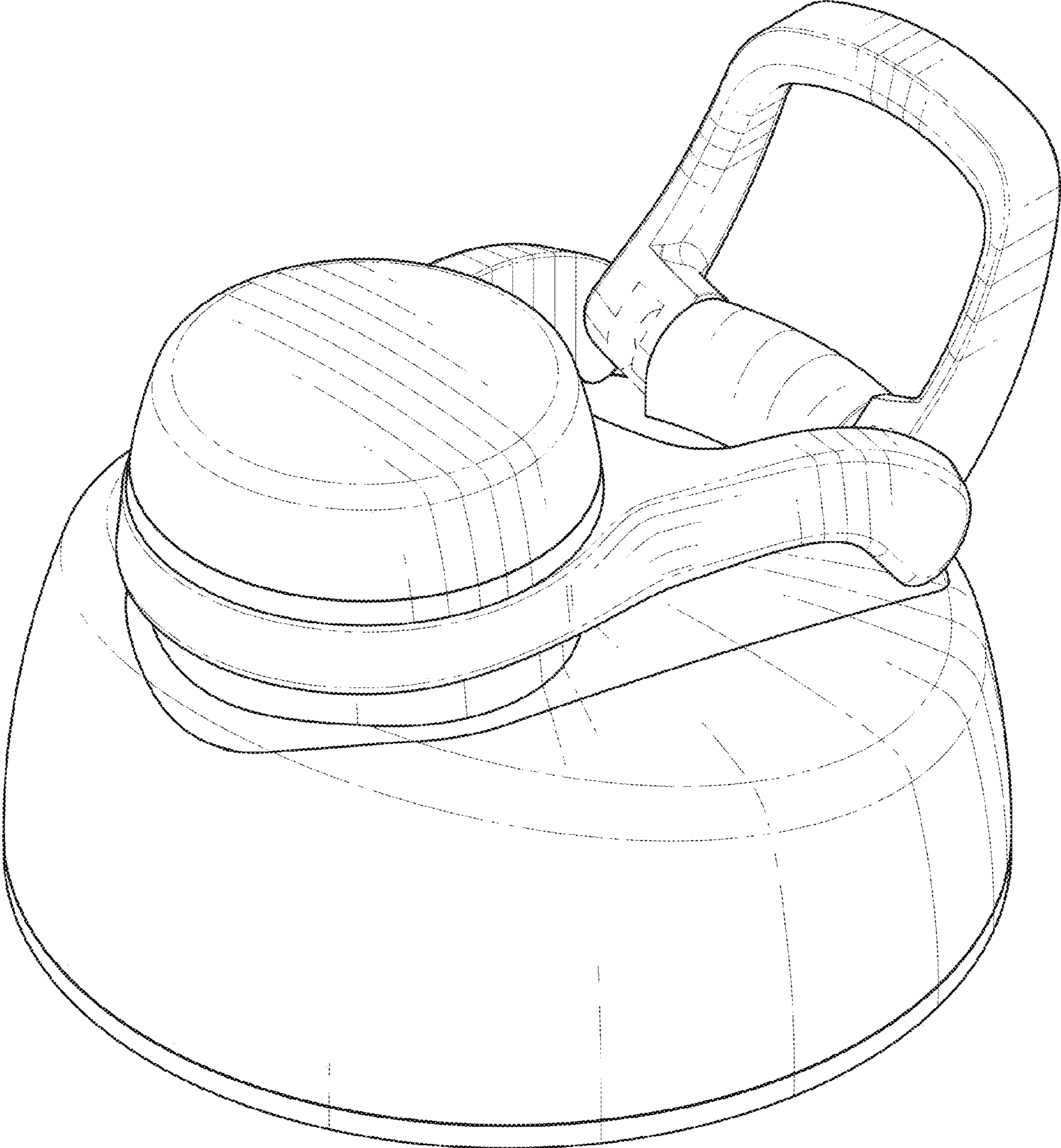


FIG 1

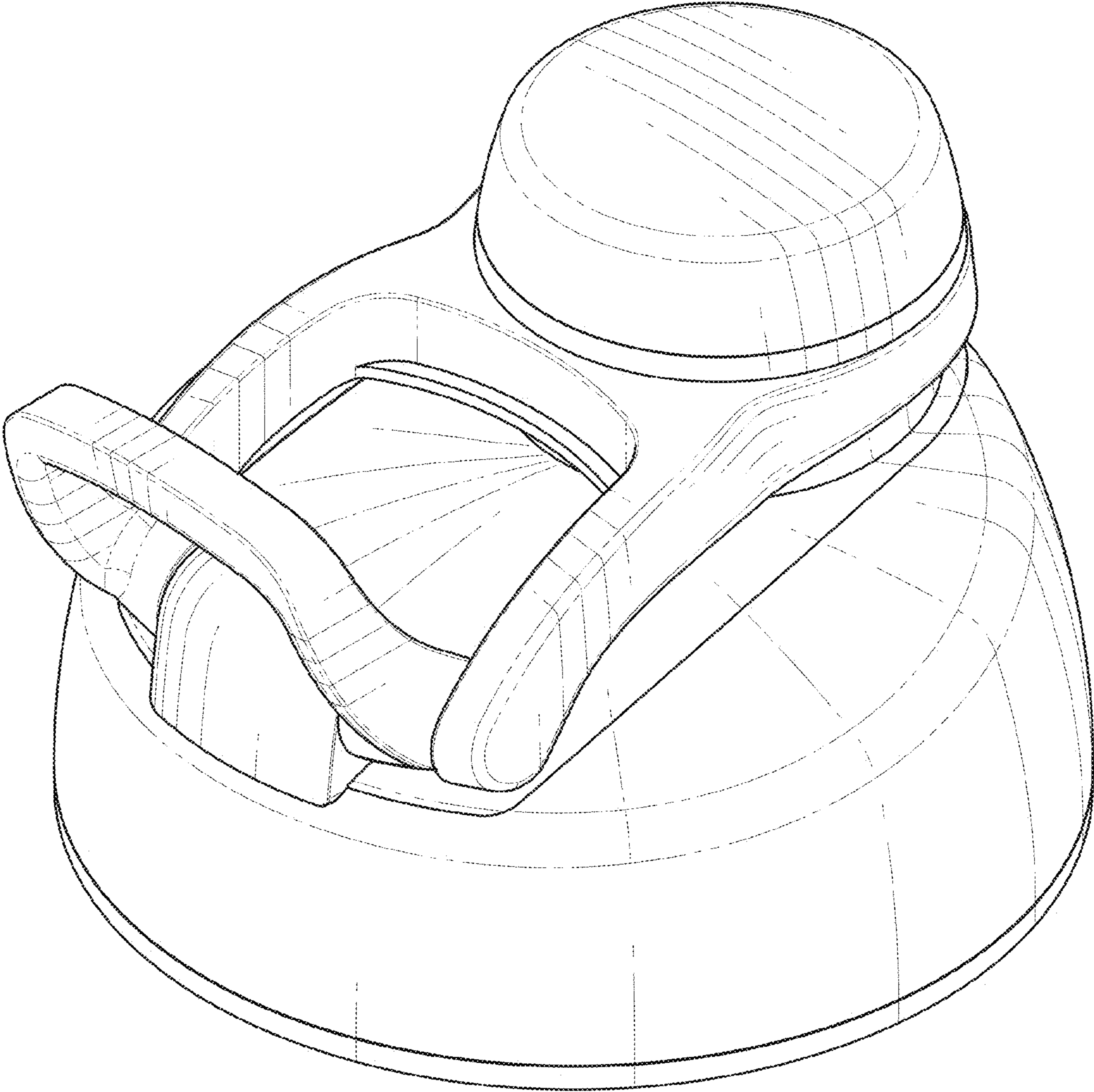


FIG 2

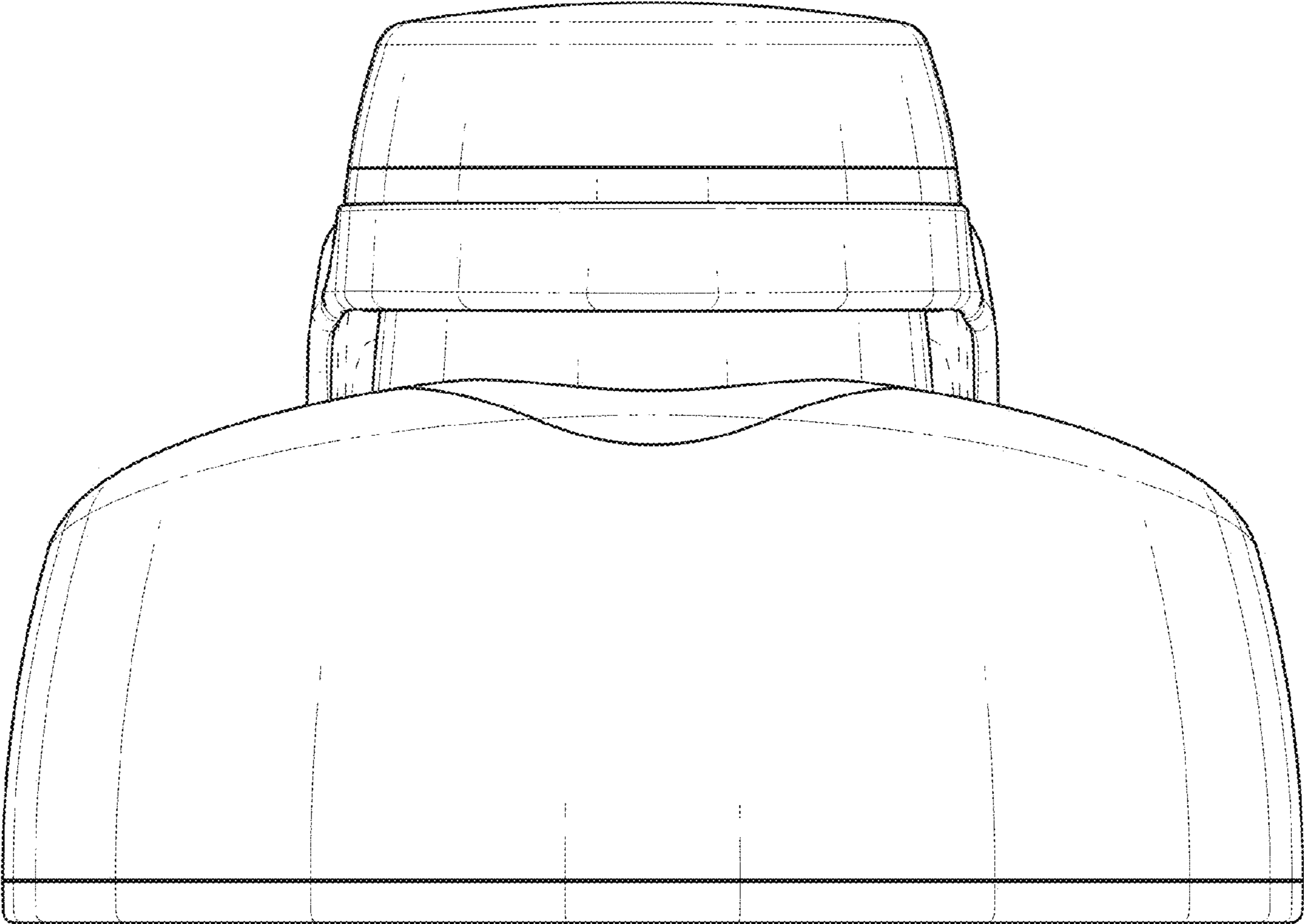


FIG 3

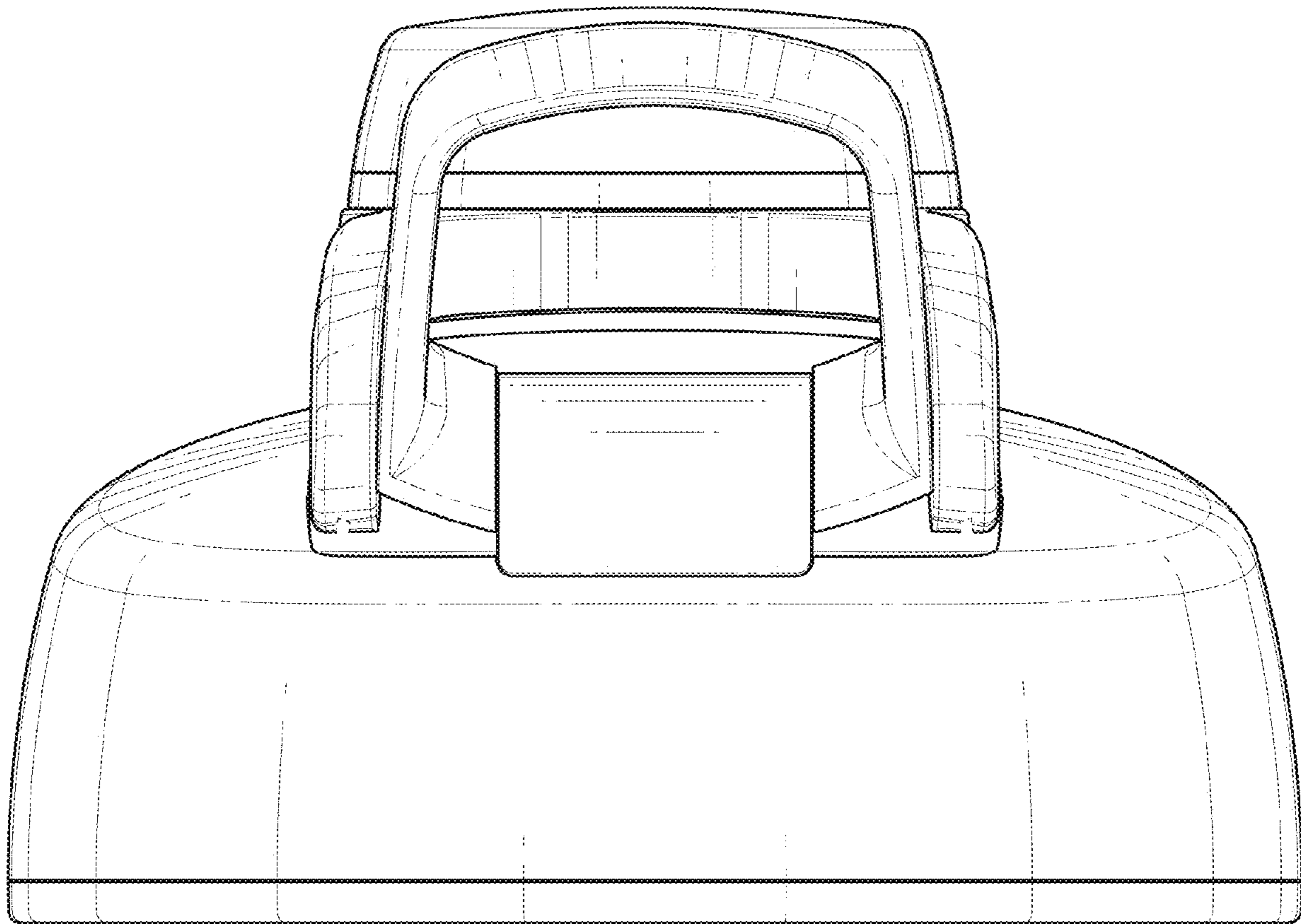


FIG 4

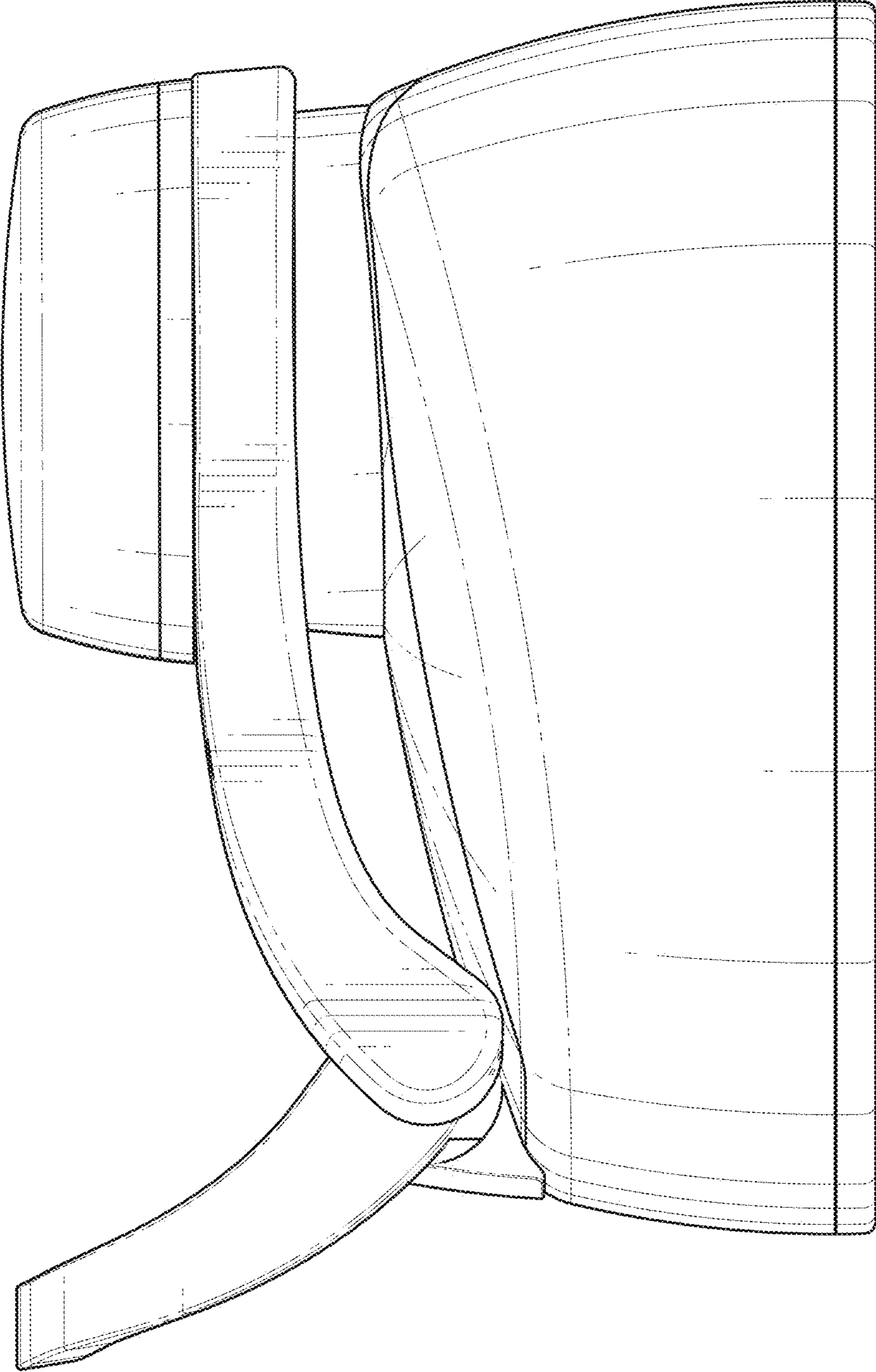


FIG 5

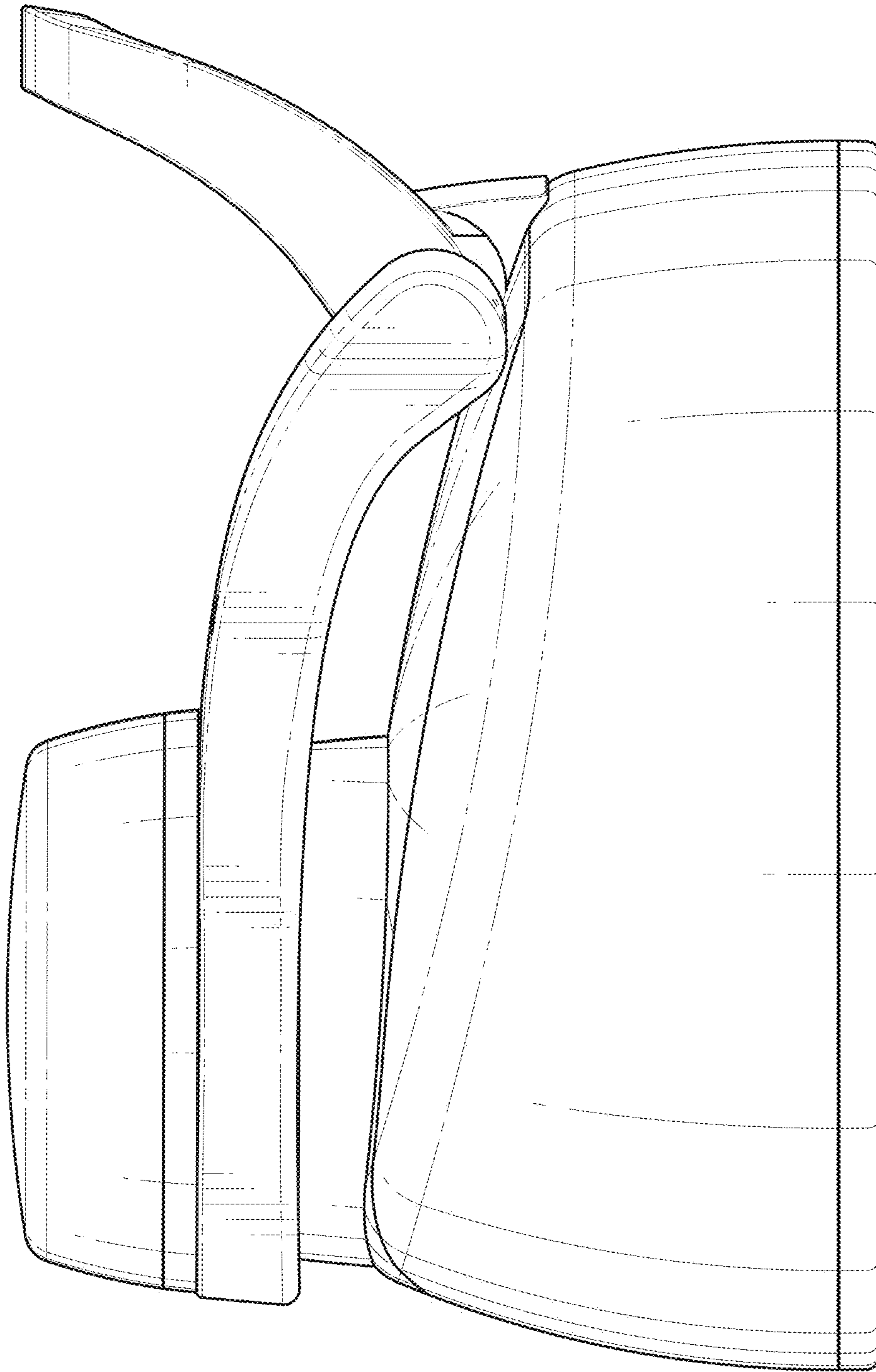


FIG 6

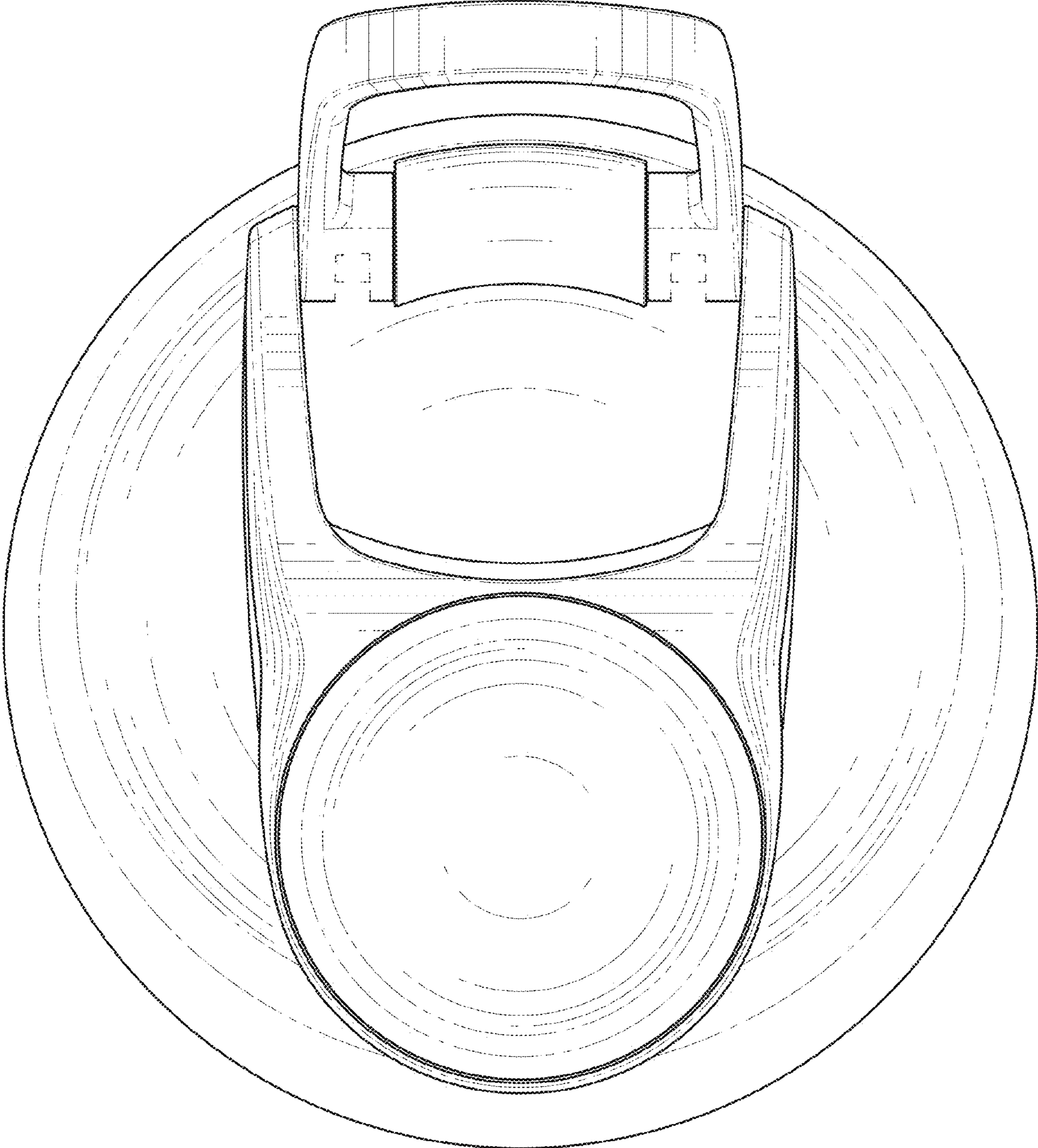


FIG 7

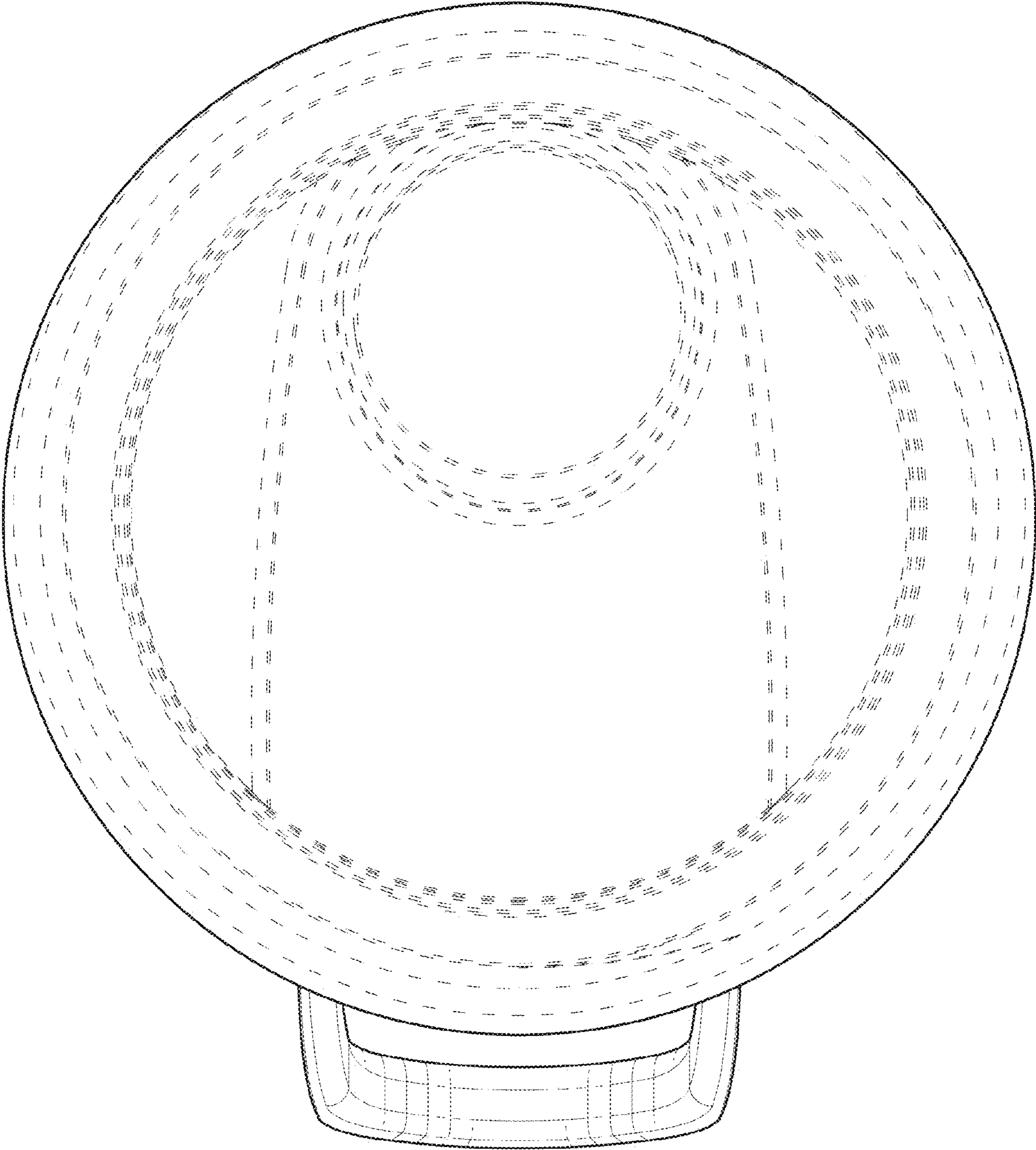


FIG 8