



US00D920738S

(12) **United States Design Patent**
Newcombe

(10) **Patent No.:** **US D920,738 S**

(45) **Date of Patent:** **** Jun. 1, 2021**

(54) **COMBINATION DISK AND STRAW**

(71) Applicant: **Robin George Newcombe**, Thornton (AU)

(72) Inventor: **Robin George Newcombe**, Thornton (AU)

(**) Term: **15 Years**

(21) Appl. No.: **29/689,698**

(22) Filed: **May 1, 2019**

(51) **LOC (13) Cl.** **07-01**

(52) **U.S. Cl.**
USPC **D7/392.1; D9/436**

(58) **Field of Classification Search**
USPC D7/300.2, 305, 376, 392.1, 396.2, 509, D7/510, 653, 688; D9/435, 436, 716; D24/108, 110.5, 112; D25/119, 125, 132
CPC A47G 19/2272; A47G 21/18
See application file for complete search history.

(56) **References Cited**

U.S. PATENT DOCUMENTS

4,121,835	A *	10/1978	Garabedian	A47G 21/182	138/121
D573,017	S *	7/2008	Henderson	D9/436	
D592,505	S *	5/2009	Mobley	D7/300.2	
D663,574	S *	7/2012	Shenkal	D7/392.1	
D731,240	S *	6/2015	Bell	D7/392.1	
D815,890	S *	4/2018	Boroski	D7/392.1	
D873,603	S *	1/2020	Diener	D7/392.1	
2002/0030115	A1 *	3/2002	Float	A47G 21/187	239/33
2002/0053574	A1 *	5/2002	Thompson	A47G 19/2272	220/710
2002/0145000	A1 *	10/2002	Li	B65D 47/06	220/709
2017/0020316	A1 *	1/2017	Abdiye	B65D 43/0212	
2018/0360245	A1 *	12/2018	Belmar	B65D 1/10	
2019/0029448	A1 *	1/2019	LaGarde	A47G 19/2272	

OTHER PUBLICATIONS

“Contigo/Ignite: Recall Summary for Contigo Kids Bueno Straw Tumblers”. Found online Jun. 24, 2020 at cpsc.gov. Reference dated Nov. 10, 2015. Retrieved from <https://www.cpsc.gov/Recalls/2015/ignite-recalls-kids-straw-tumblers>.*

“Plum Organics: Baby Bowls”. Found online Jun. 24, 2020 at mothermag.com. Reference dated Nov. 13, 2017. Retrieved from <https://www.mothermag.com/plum-organics-bowls/>.*

“Aladdin: Recycled Glass-to-Go Tumbler”. Found online Jun. 24, 2020 at amazon.ca. Reference dated Jun. 1, 2014. Retrieved from https://www.amazon.ca/Aladdin-Recycled-Glass-Tumbler-16-Ounce/dp/B00NTMDU08/ref=pd_day0_1?.*

“Keweilian: Silicone Cup Covers”. Found online Jun. 24, 2020 at amazon.com. Reference dated Jun. 22, 2018. Retrieved from <https://www.amazon.com/Silicone-Covers-Multicolored-Flexible-Covers%EF%BC%8CHot/dp/B07DWX2S6N?th=1>.*

* cited by examiner

Primary Examiner — Kendra Leslie Hamilton

(74) *Attorney, Agent, or Firm* — Eric Karich; Karich & Associates

(57) **CLAIM**

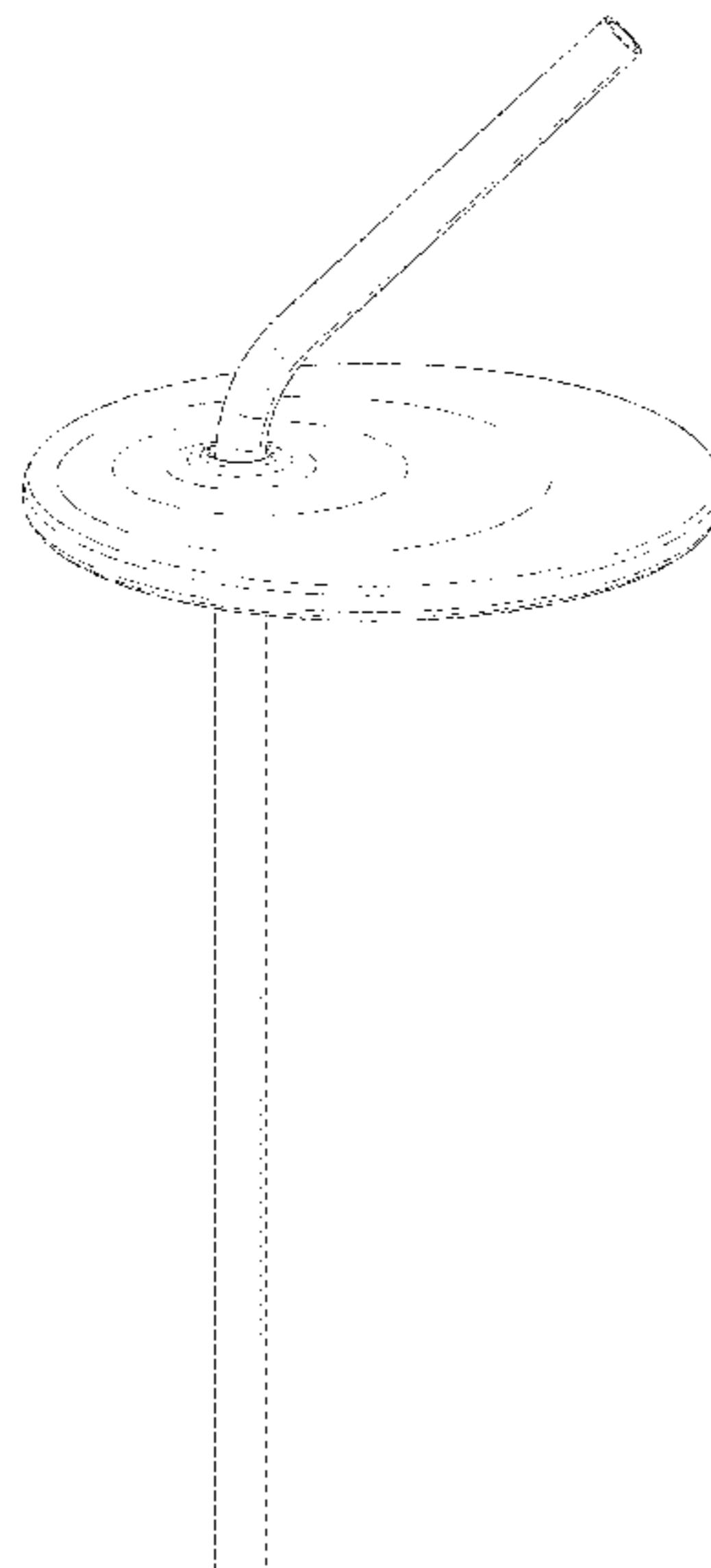
The ornamental design for a combination disk and straw, as shown and described.

DESCRIPTION

FIG. 1 is a top, front, left perspective view of a combination disk and straw, showing my new design; FIG. 2 is a left side elevation view thereof; FIG. 3 is a right side elevation view thereof; FIG. 4 is a front elevational view thereof; FIG. 5 is a rear elevational view thereof; FIG. 6 is a top plan view thereof; and, FIG. 7 is a bottom plan view thereof.

The equal-length broken lines in the drawings depict portions of the combination disk and straw that form no part of the claimed design.

1 Claim, 6 Drawing Sheets



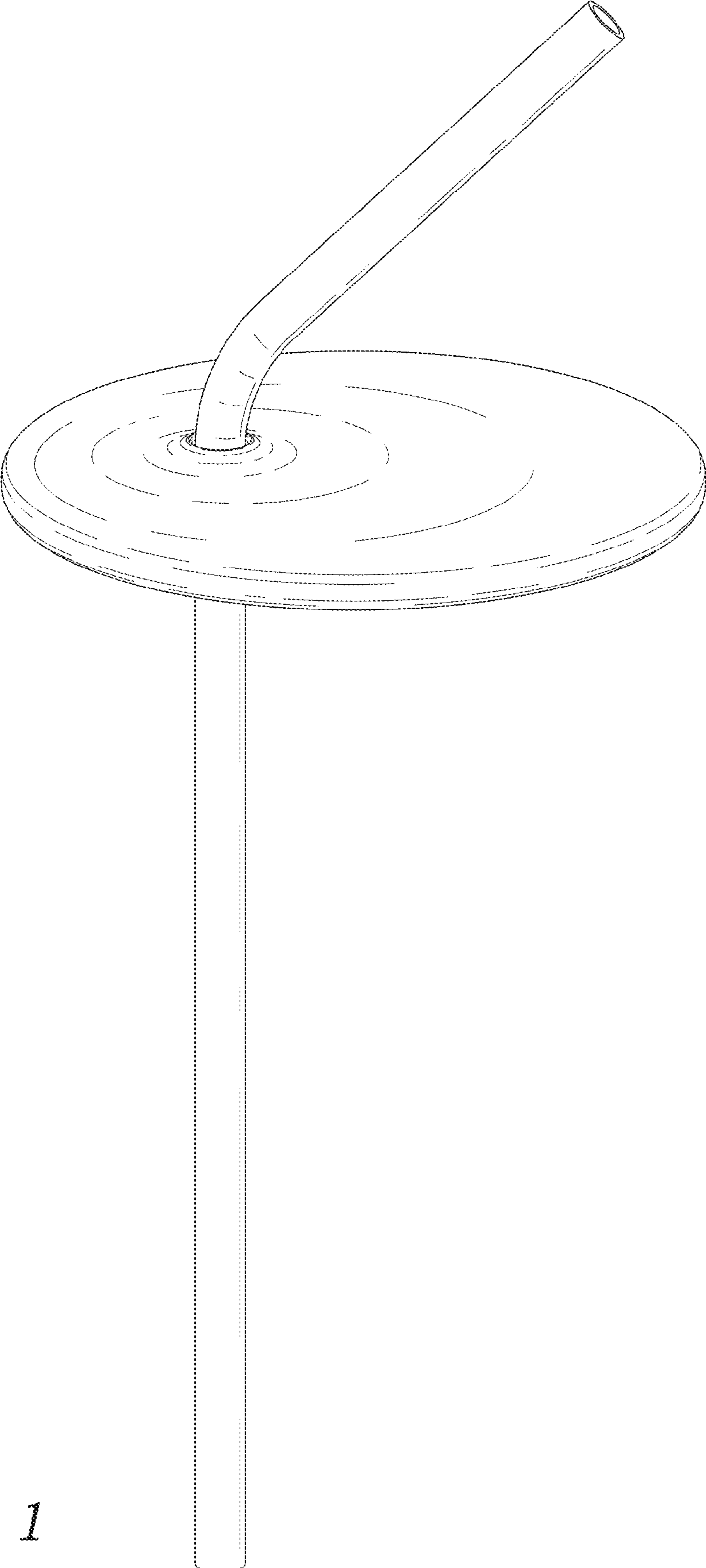


Fig. 1

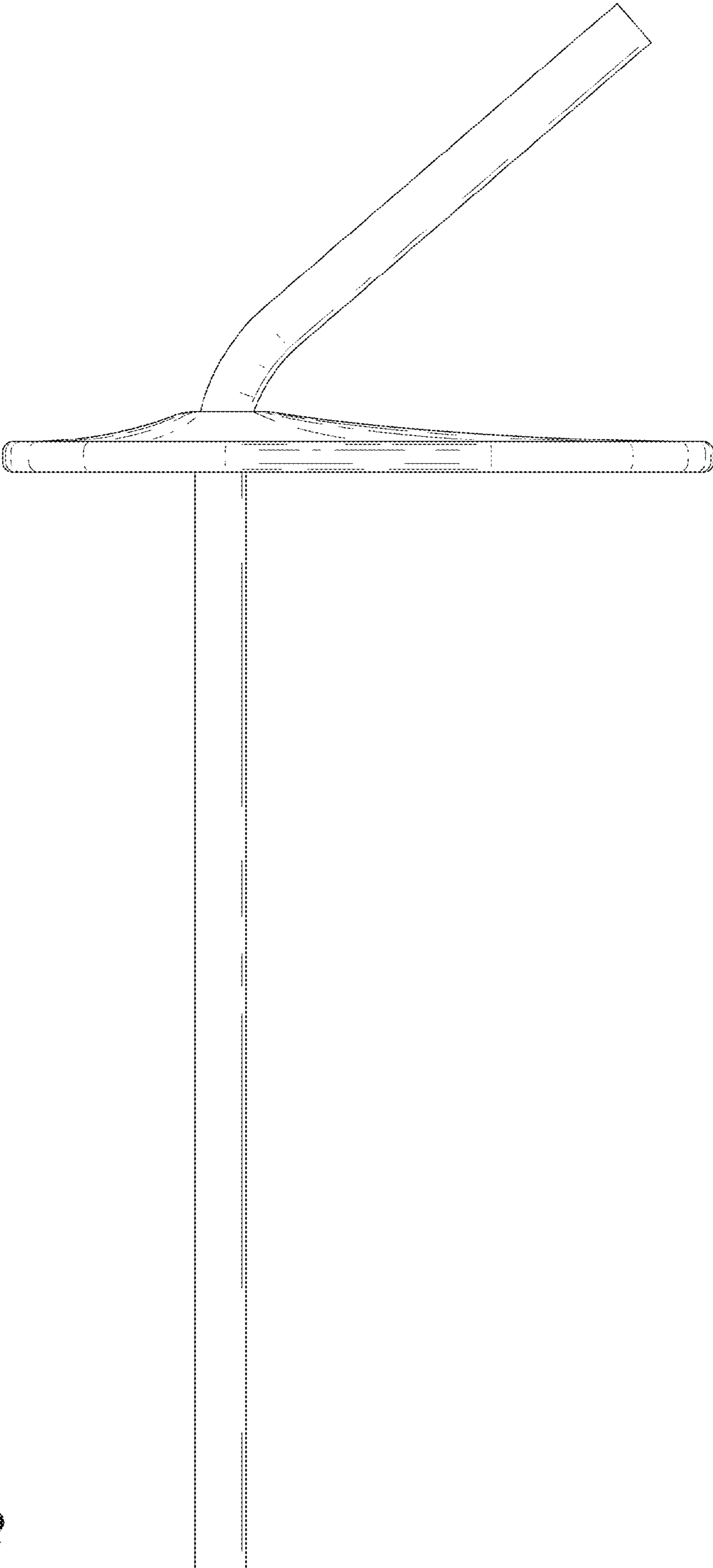


Fig. 2

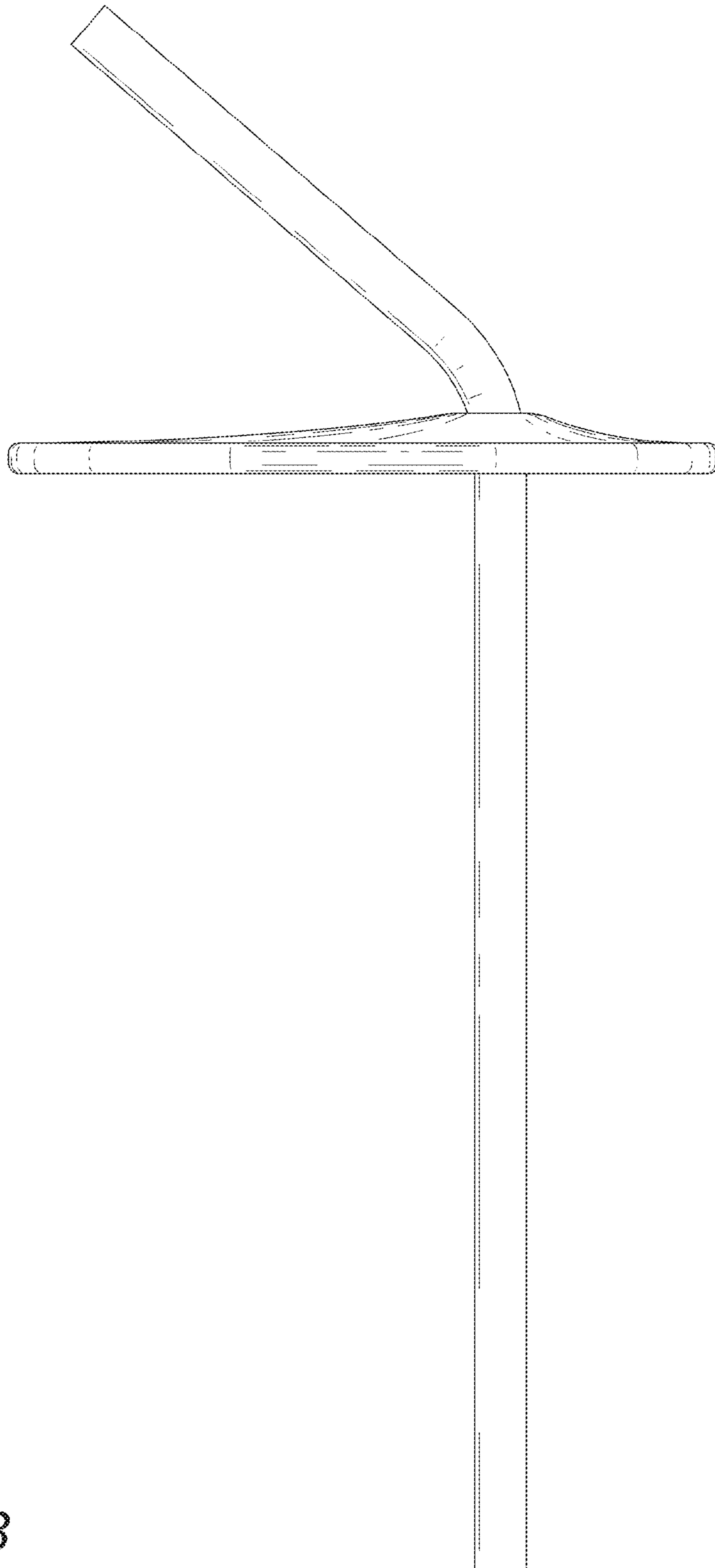


Fig. 3

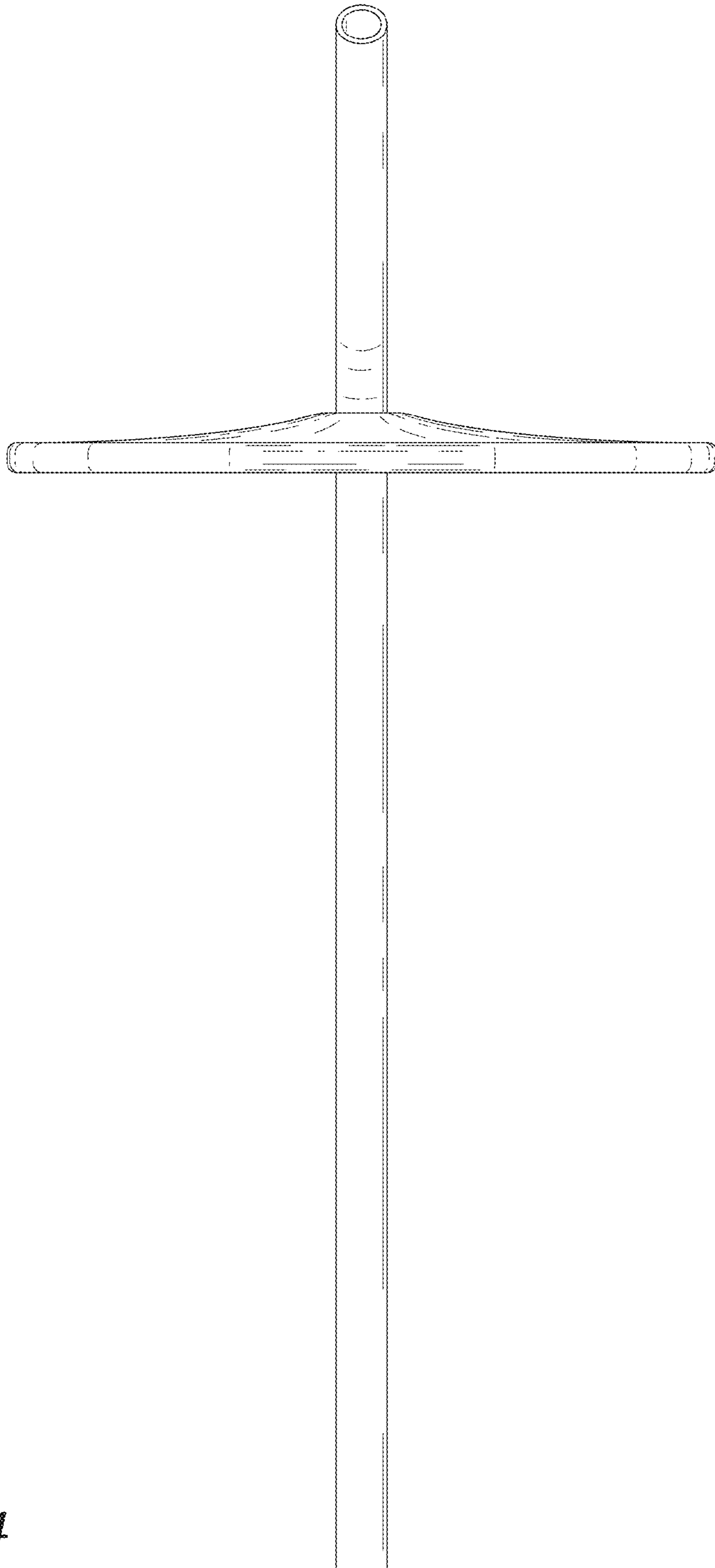


Fig. 4

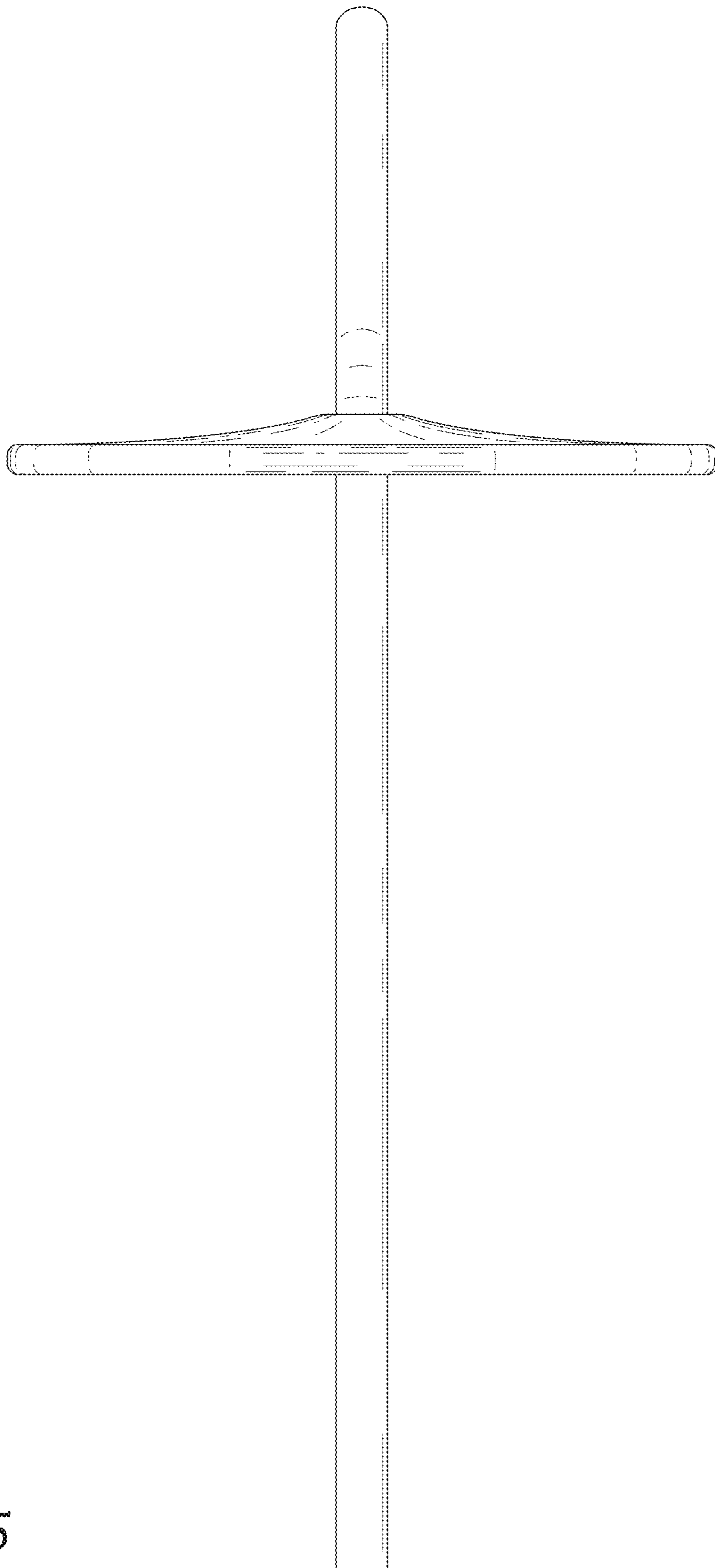


Fig. 5

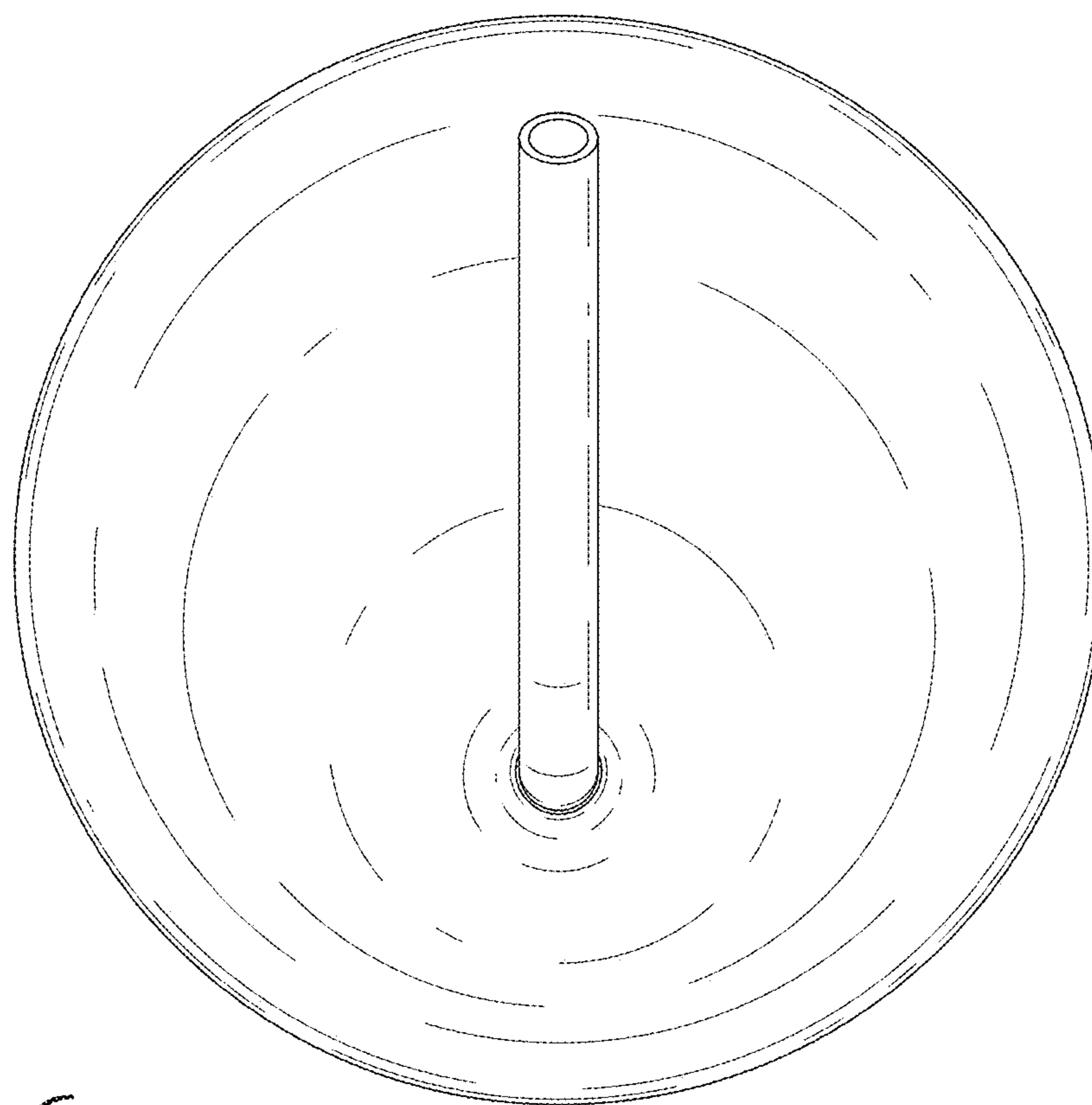


Fig. 6

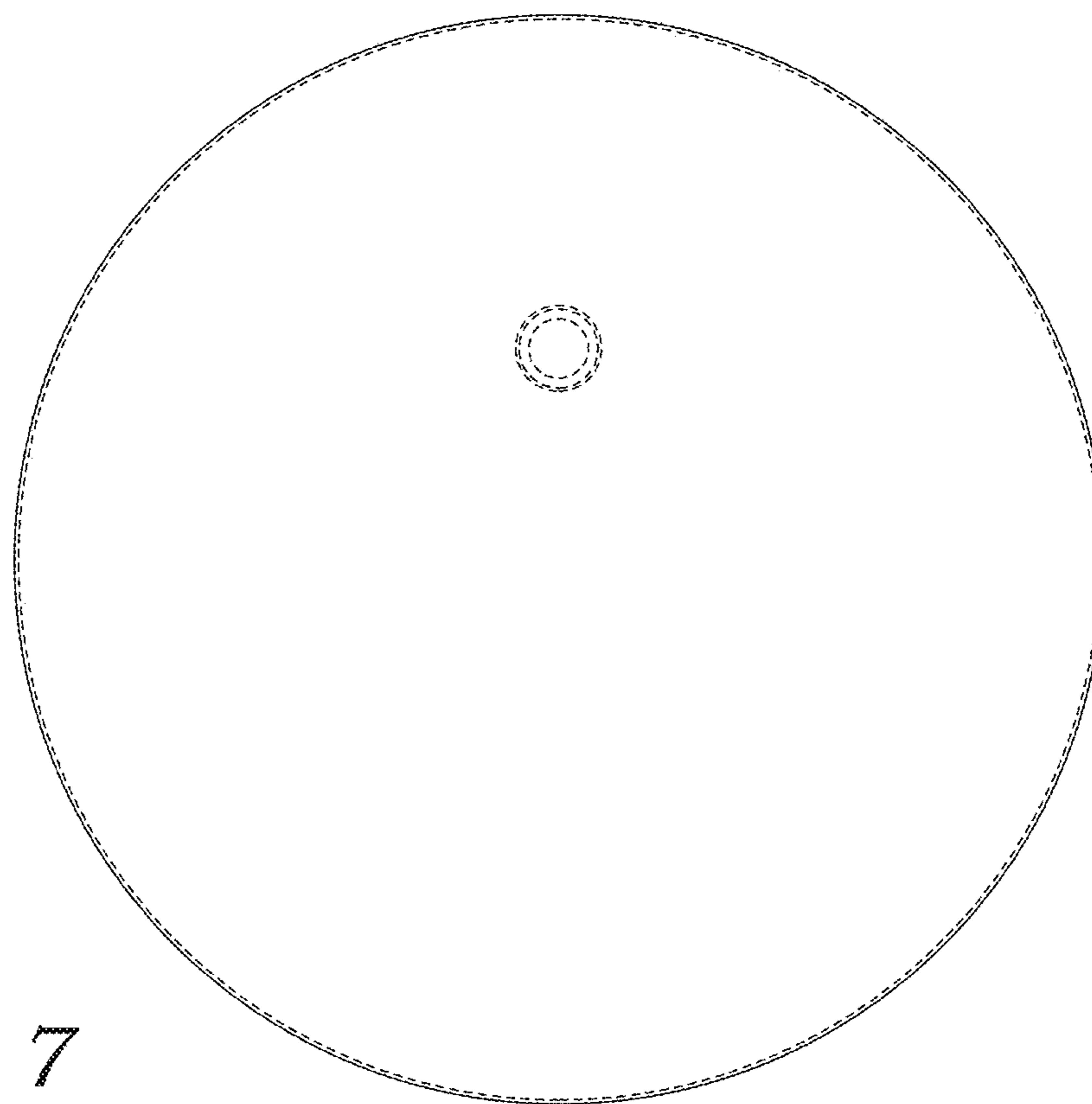


Fig. 7