



US00D920737S

(12) **United States Design Patent** (10) **Patent No.:** **US D920,737 S**
Armistead et al. (45) **Date of Patent:** **** Jun. 1, 2021**

(54) **BOTTLE LID**
(71) Applicant: **The Decor Corporation Pty Ltd,**
Dandenong South (AU)
(72) Inventors: **Justin Armistead,** Keysborough (AU);
Alexander Schoenmakers,
Keysborough (AU); **George**
Kotsiopoulos, Keysborough (AU)
(73) Assignee: **The Decor Corporation Pty Ltd,**
Dandenong South (AU)
(**) Term: **15 Years**
(21) Appl. No.: **29/668,029**
(22) Filed: **Oct. 26, 2018**
(30) **Foreign Application Priority Data**

Apr. 30, 2018 (AU) 201812517
(51) **LOC (13) Cl.** **07-99**
(52) **U.S. Cl.**
USPC **D7/392**
(58) **Field of Classification Search**
USPC D7/391, 510, 511, 538, 540, 542, 543,
D7/544, 545, 629, 392.1, 392; D9/452,
D9/453, 454, 435, 447, 449, 780, 434,
D9/440
CPC ... A47G 19/2205; A47G 19/2222; A45F 3/16;
A45F 3/20; B67D 7/06; B67D 1/0004;
B65D 25/14; B65D 47/065; B65D 47/066
See application file for complete search history.

(56) **References Cited**
U.S. PATENT DOCUMENTS
D682,034 S * 5/2013 El-Saden D7/510
D702,079 S * 4/2014 Hung D7/392.1
D745,827 S * 12/2015 Sorensen D9/450
D756,702 S * 5/2016 Joseph D7/392.1
D768,491 S * 10/2016 Sorensen D9/449

D781,104 S * 3/2017 Cerasani D7/510
D802,993 S * 11/2017 Joseph D7/392.1
D808,711 S * 1/2018 Joseph D7/392.1
D810,502 S * 2/2018 Joseph D7/392.1
D811,810 S * 3/2018 Joseph D7/392.1
D814,855 S * 4/2018 Hammer D7/392.1
D817,084 S * 5/2018 Hammer D7/392.1
D862,156 S * 10/2019 Meyers D7/392
D870,508 S * 12/2019 Palkon D7/392.1
D871,833 S * 1/2020 Farsai A47G 19/2266
D7/392.1

(Continued)

Primary Examiner — Karen S Acker
Assistant Examiner — Steven B Reinholdt, Jr.
(74) *Attorney, Agent, or Firm* — Stevens & Showalter
LLP

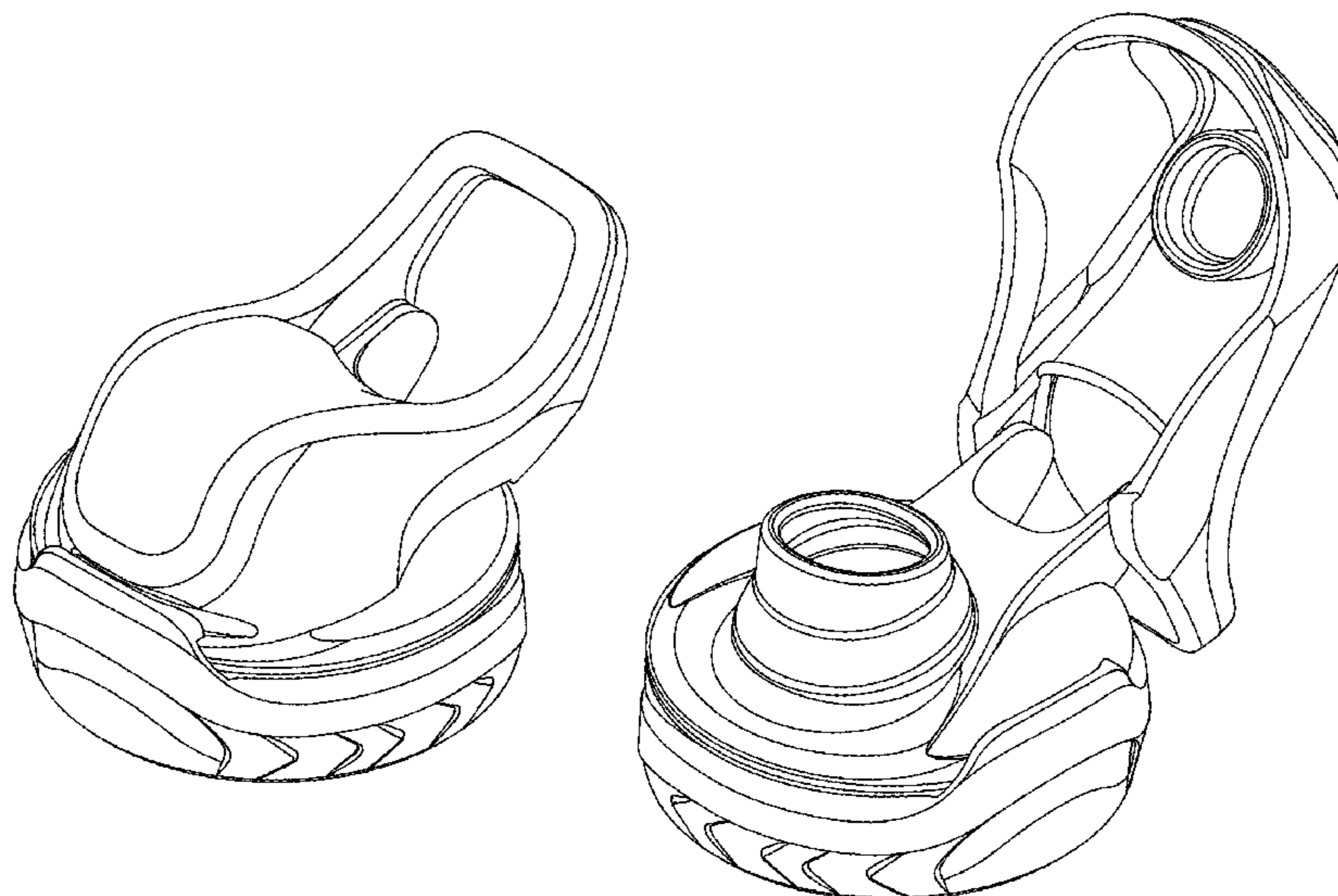
(57) **CLAIM**

The ornamental design for a bottle lid, as shown and described.

DESCRIPTION

FIG. 1 is a front perspective view from above of a bottle lid in an alternative closed configuration with a lock ring rotated up showing our new design;
FIG. 2 is a rear perspective view from below of the bottle lid of FIG. 1;
FIG. 3 is front perspective view from above of the bottle lid of FIG. 1 in an alternative open configuration with the lock ring rotated down;
FIG. 4 is rear perspective view from above of the bottle lid of FIG. 3;
FIG. 5 is a front view of the bottle lid of FIG. 1;
FIG. 6 is a rear view of the bottle lid of FIG. 1;
FIG. 7 is a left side view of the bottle lid of FIG. 1;
FIG. 8 is a right side view of the bottle lid of FIG. 1;
FIG. 9 is a top view of the bottle lid of FIG. 1; and,
FIG. 10 is a bottom view of the bottle lid of FIG. 1.
The broken lines in the drawings depict portions of the bottle lid that form no part of the claimed design.

1 Claim, 5 Drawing Sheets



(56)

References Cited

U.S. PATENT DOCUMENTS

D878,853 S * 3/2020 Omdahl, II D7/392.1
D885,839 S * 6/2020 Egorov D7/511
2015/0201774 A1* 7/2015 Sorensen A47G 19/2272
220/715
2015/0201775 A1* 7/2015 Sorensen A47G 19/2266
222/482
2019/0161251 A1* 5/2019 Fang A45F 3/18
2019/0183269 A1* 6/2019 Kalisz A47G 19/2266

* cited by examiner

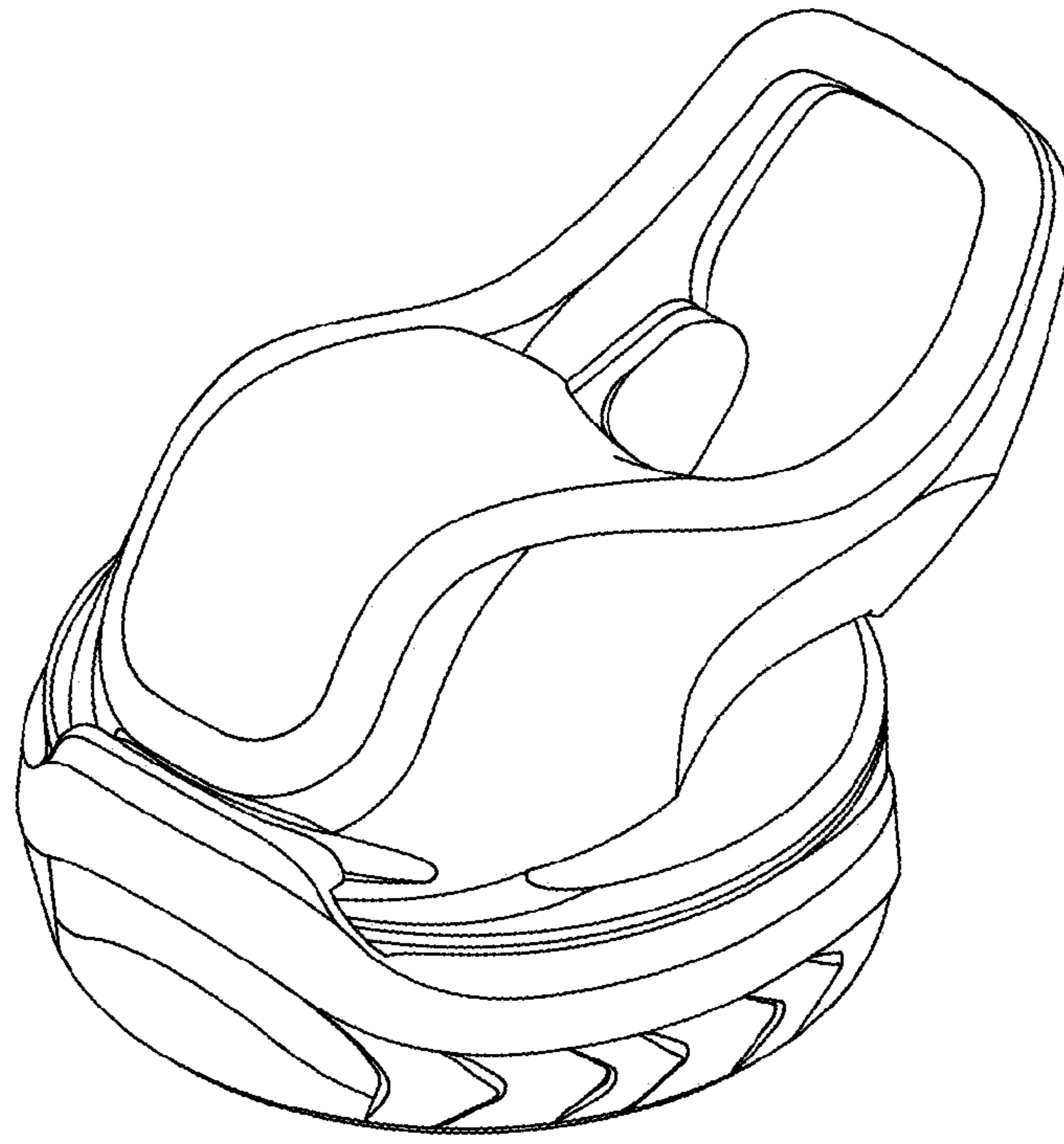


FIG. 1

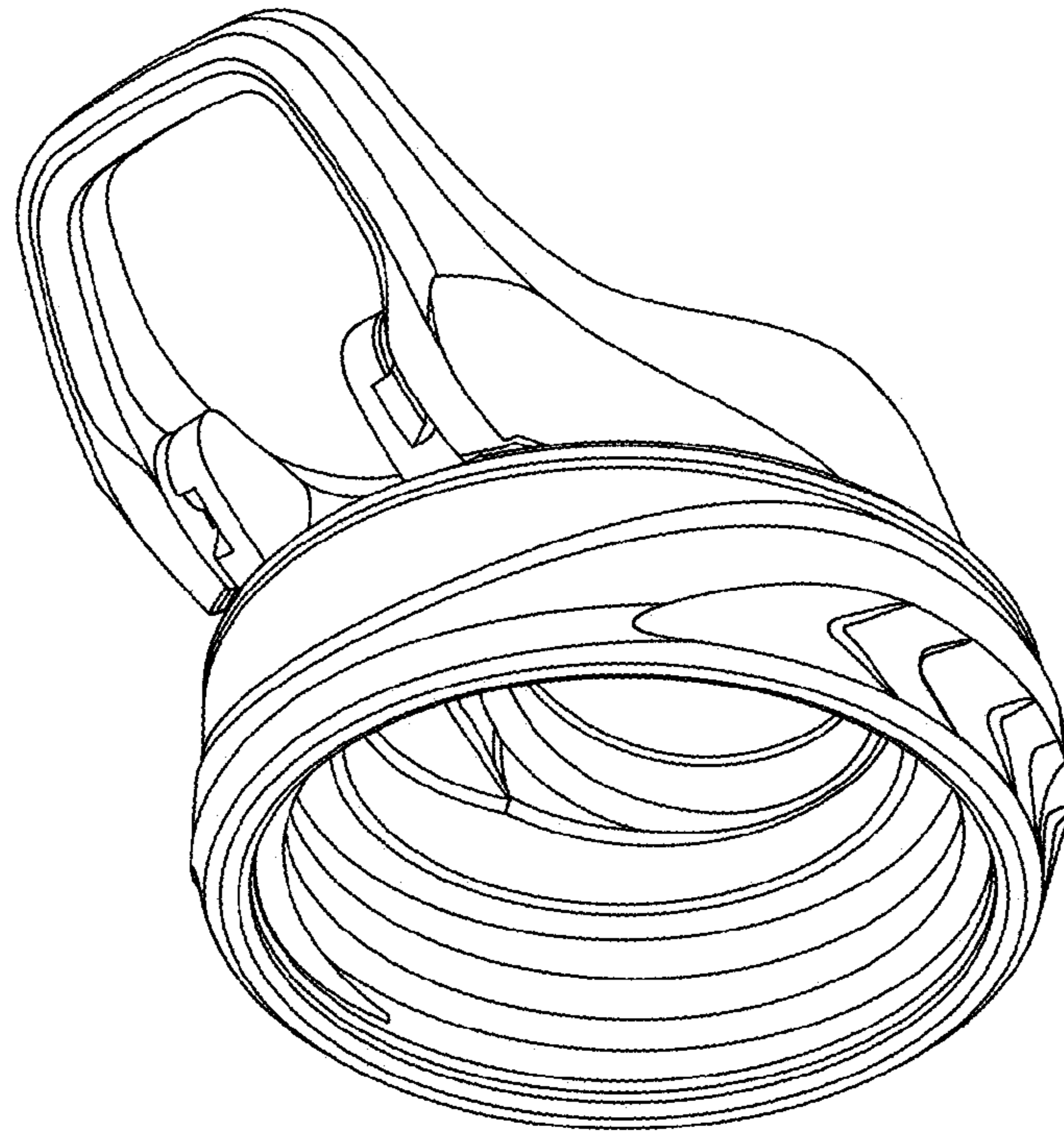


FIG. 2

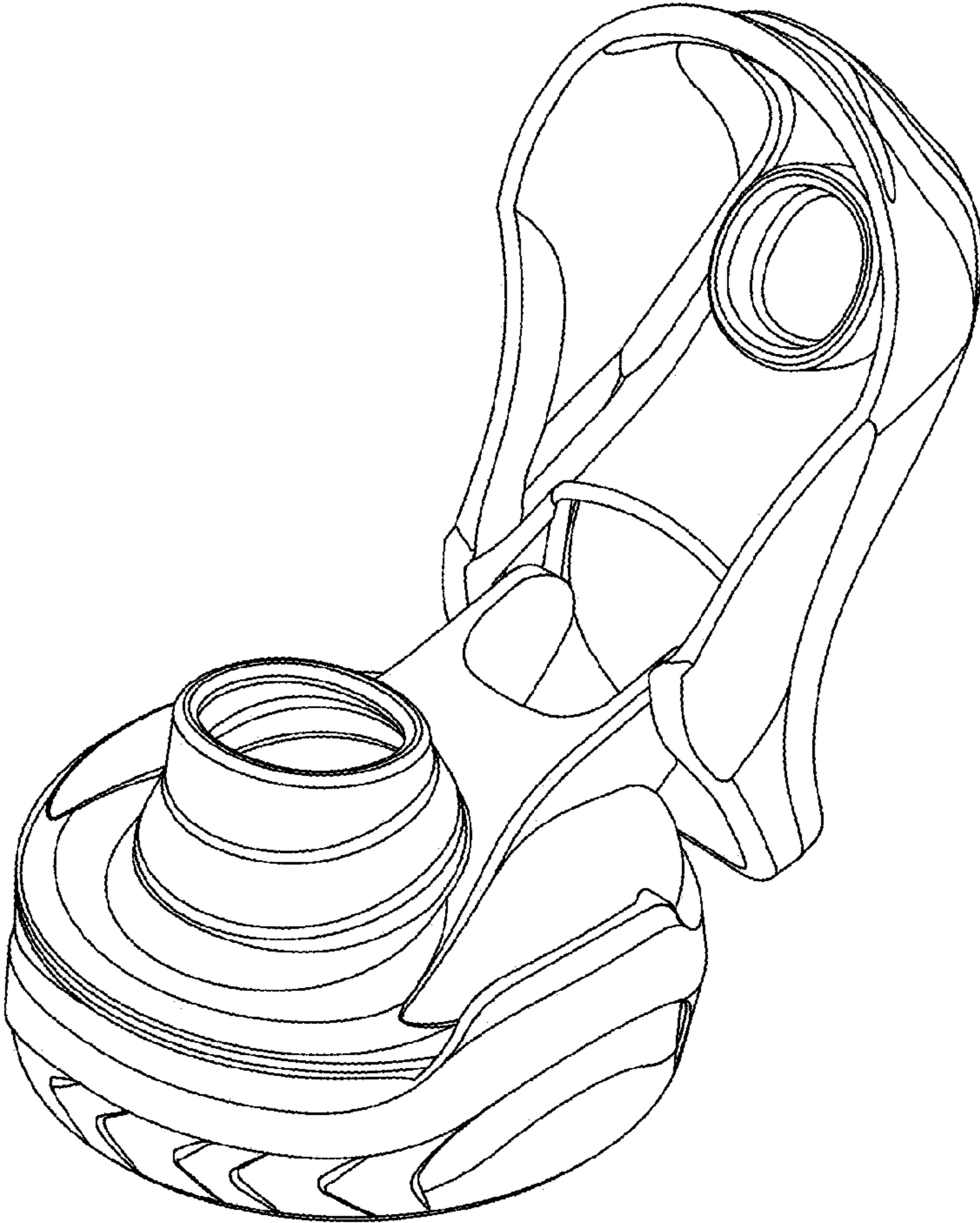


FIG. 3

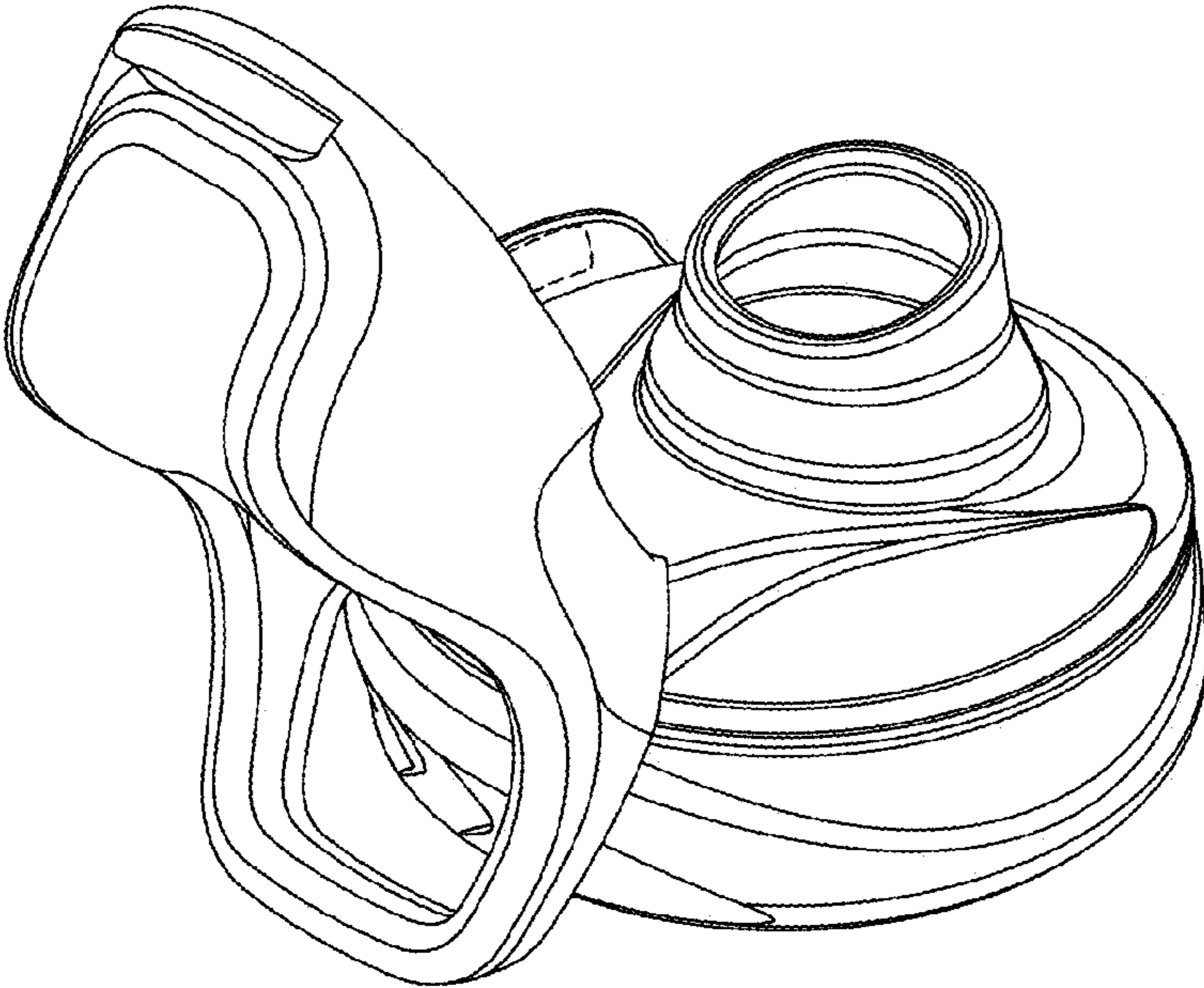


FIG. 4

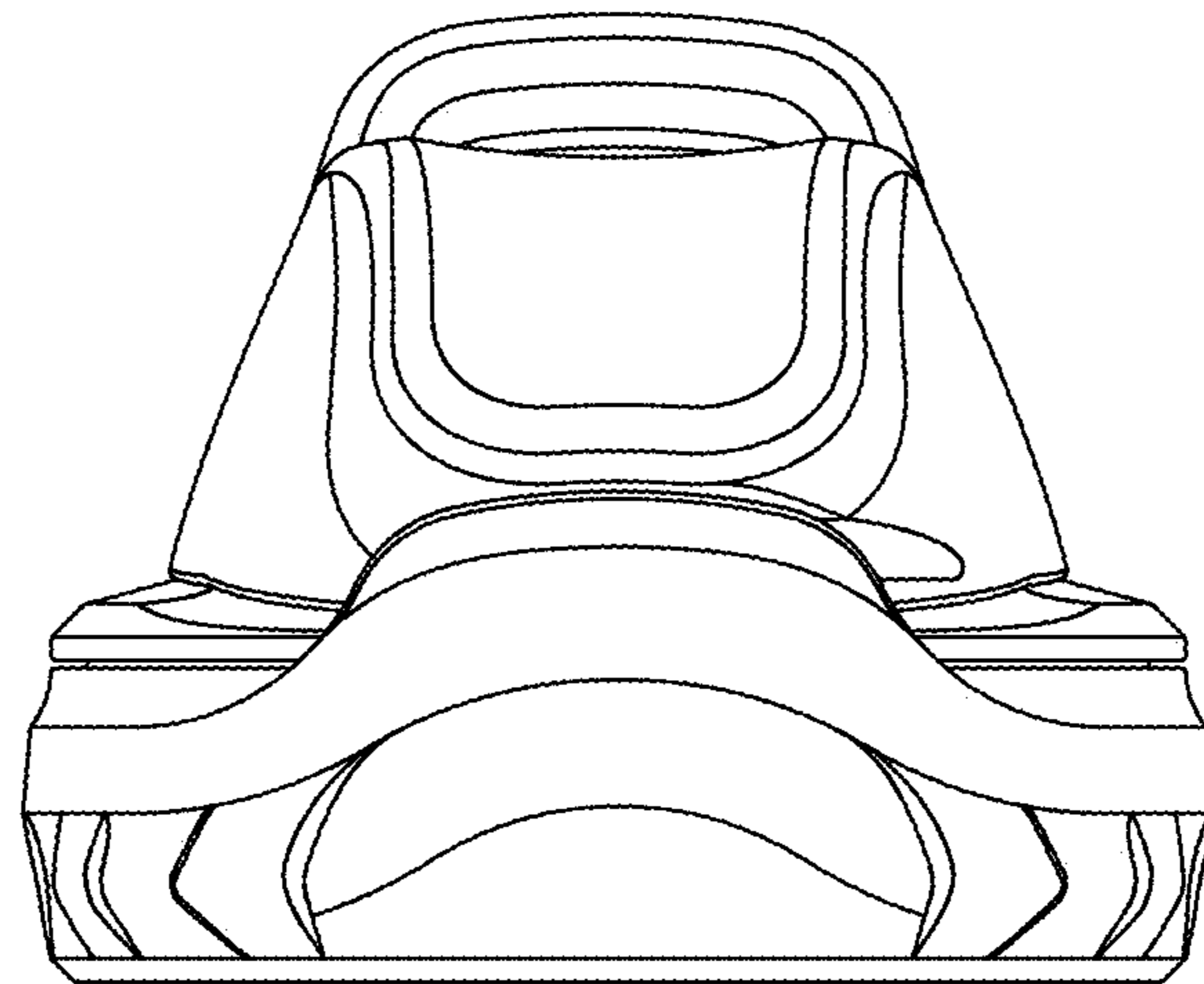


FIG. 5

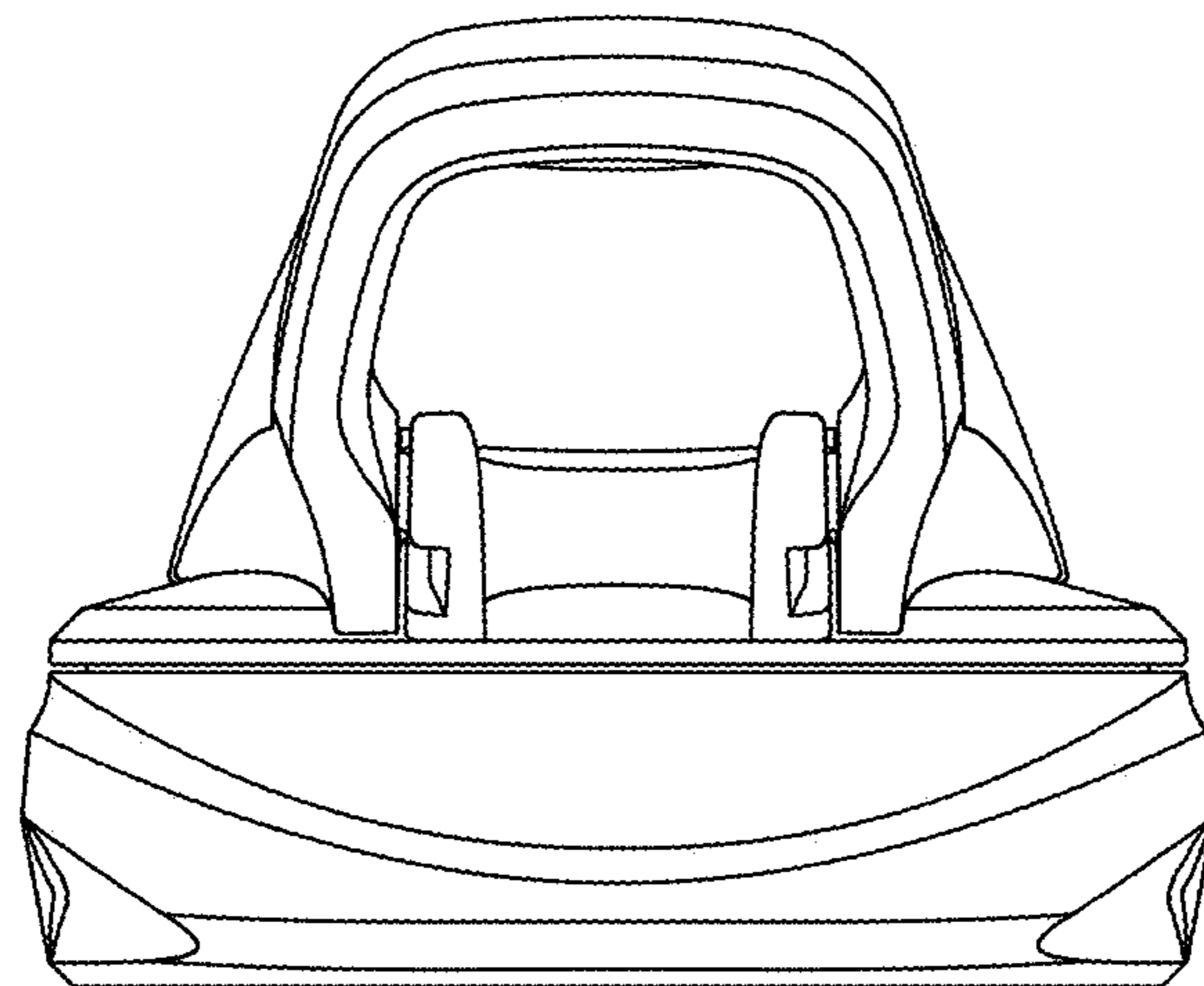


FIG. 6

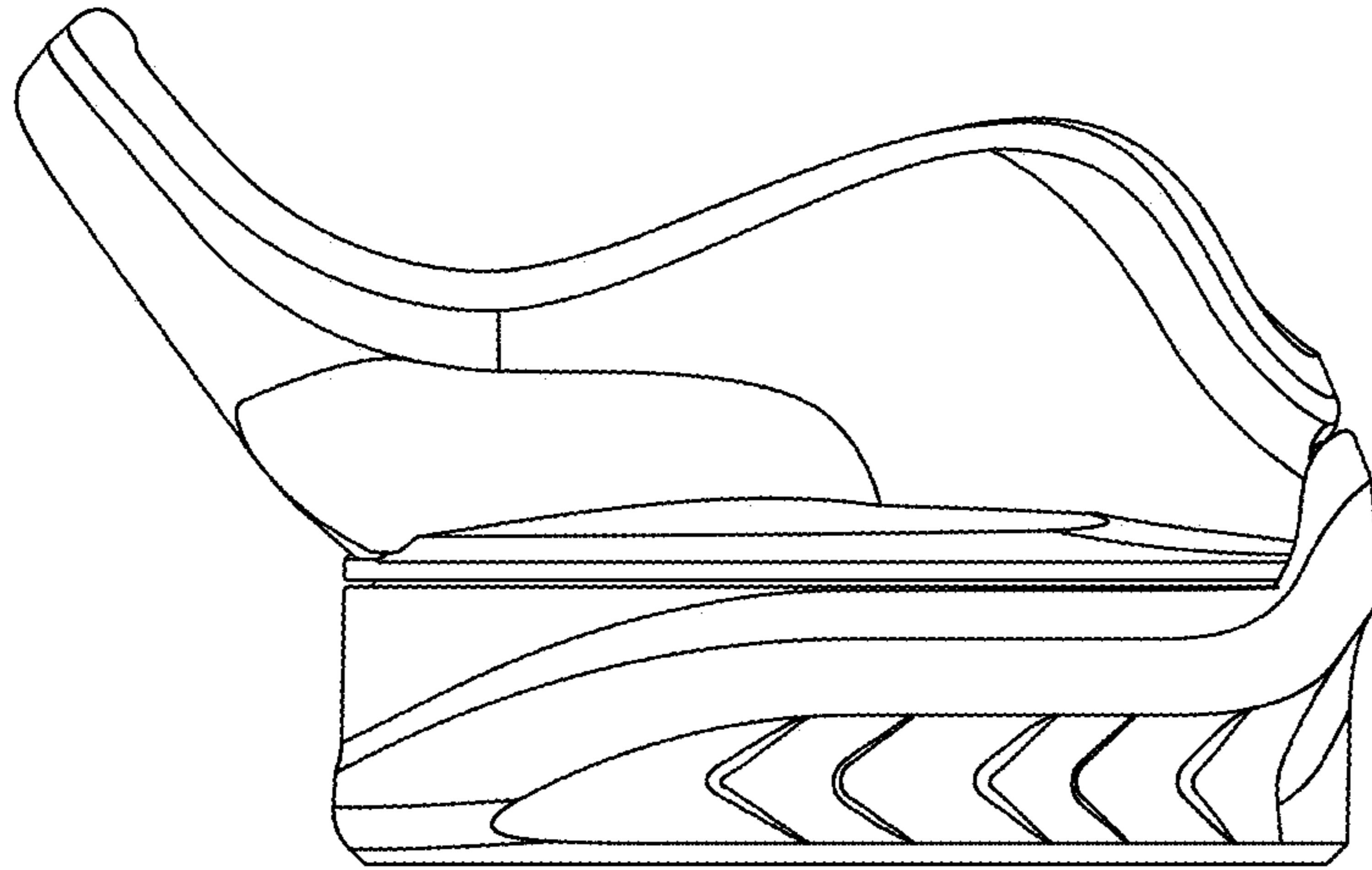


FIG. 7

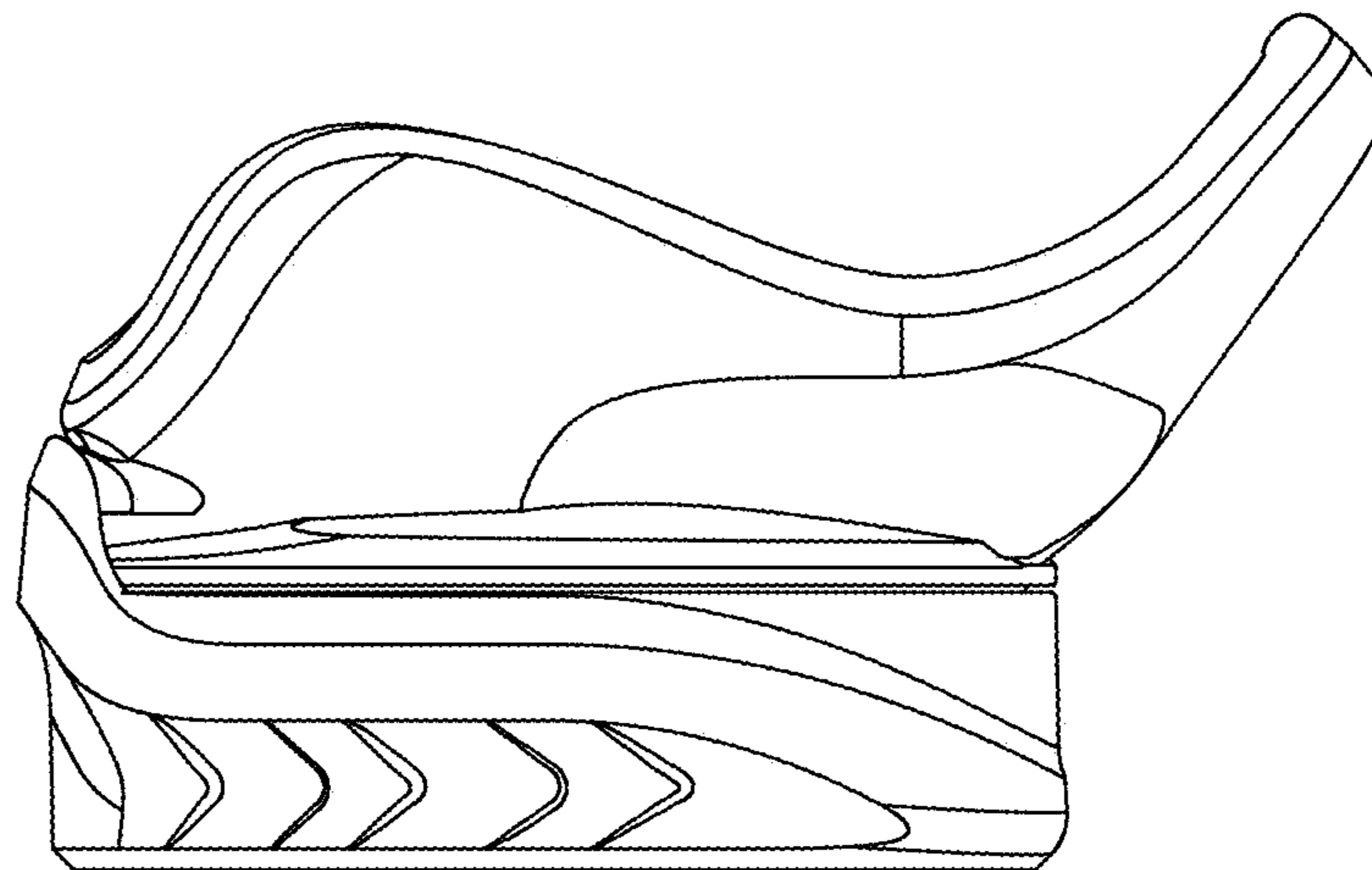


FIG. 8

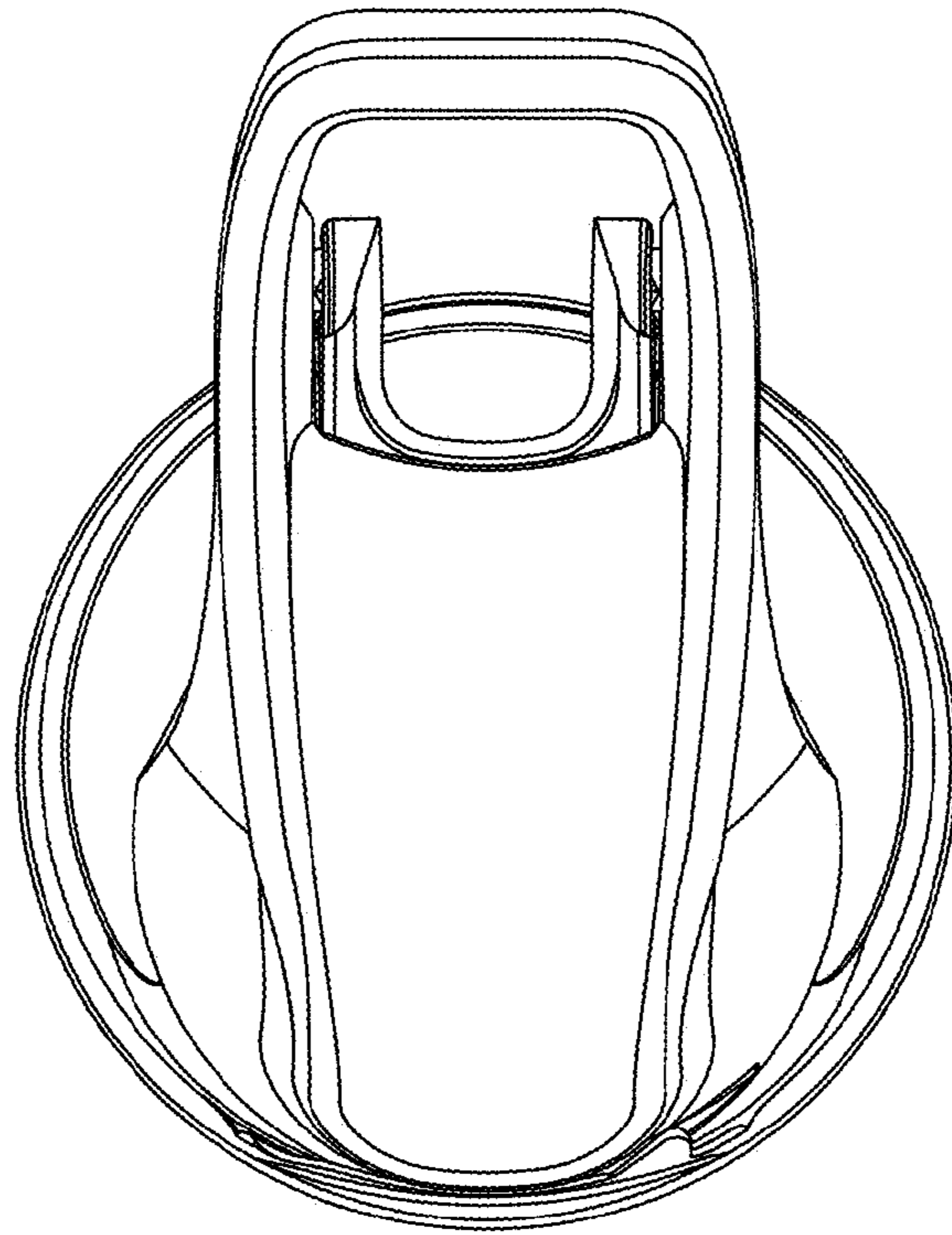


FIG. 9

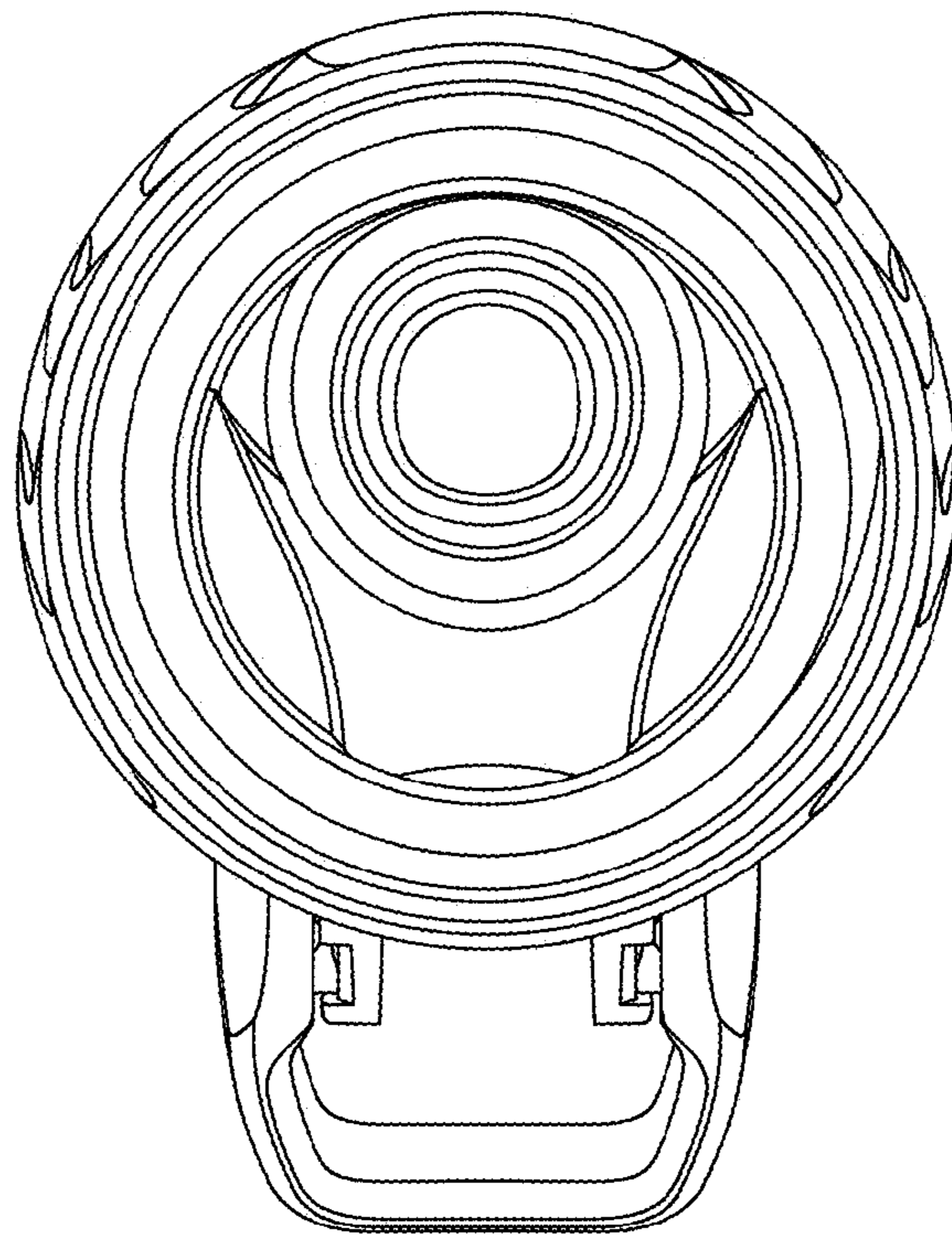


FIG. 10