



US00D920735S

(12) **United States Design Patent**
Carlson

(10) **Patent No.:** **US D920,735 S**

(45) **Date of Patent:** **** Jun. 1, 2021**

(54) **BLENDER BASE**

(71) Applicant: **Hamilton Beach Brands, Inc.**, Glen Allen, VA (US)

(72) Inventor: **Drew Carlson**, Midlothian, VA (US)

(73) Assignee: **Hamilton Beach Brands, Inc.**, Glen Allen, VA (US)

(**) Term: **15 Years**

(21) Appl. No.: **29/725,860**

(22) Filed: **Feb. 27, 2020**

(51) **LOC (13) Cl.** **31-00**

(52) **U.S. Cl.**
USPC **D7/386**; D7/376; D7/378; D7/413

(58) **Field of Classification Search**
USPC D7/372, 374, 376–386, 412–413, 602, D7/607, 629, 665–666, 669, 679, D7/693–694

CPC A21C 1/02; A21C 1/04; A23N 1/00; A23N 1/02; A47B 77/08; A47J 27/04; A47J 36/321; A47J 43/04; A47J 43/25; A47J 43/27; A47J 43/042; A47J 43/044; A47J 43/046; A47J 43/075; A47J 43/0716; A47J 43/0722; A47J 43/0727; B01F 3/00; B01F 3/0807; B01F 3/0853; B01F 11/0008; B01F 13/0059; B01F 13/0064; B02C 1/08; B02C 2/04; B02C 4/42; B02C 4/142; B02C 4/143; B02C 4/423; B02C 13/1835; B28C 5/10; B28C 5/12; B28C 5/14; B28C 5/16

See application file for complete search history.

(56) **References Cited**

U.S. PATENT DOCUMENTS

D484,357 S * 12/2003 Seum D7/378
D533,395 S * 12/2006 Drees D7/378

D557,976 S * 12/2007 Olson D7/378
D560,963 S * 2/2008 Altheimer D7/378
D617,136 S * 6/2010 Bock D7/378
D647,357 S * 10/2011 Audette D7/386
D704,502 S * 5/2014 Coakley D7/386
D730,683 S * 6/2015 Tu D7/386
D778,665 S * 2/2017 Barquin D7/386
D780,507 S * 3/2017 Barquin D7/386
D811,806 S * 3/2018 Bock D7/386
D838,538 S * 1/2019 Carlson D7/378
D886,513 S * 6/2020 Steiner D7/386
2018/0020875 A1 1/2018 Kolar et al.

FOREIGN PATENT DOCUMENTS

EP 0046169 A1 2/1982

* cited by examiner

Primary Examiner — Ricky Pham

(74) *Attorney, Agent, or Firm* — Alexander D. Raring

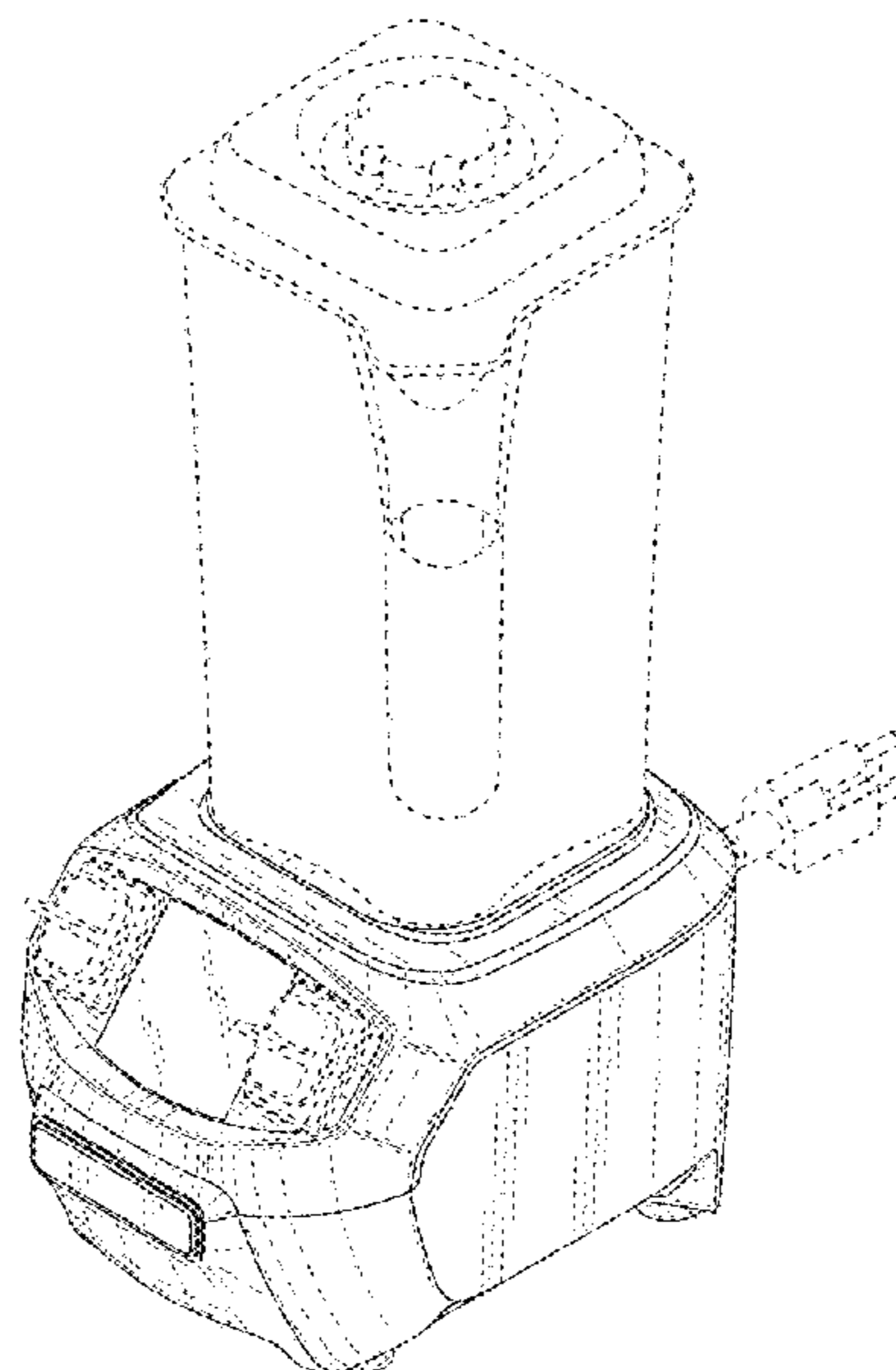
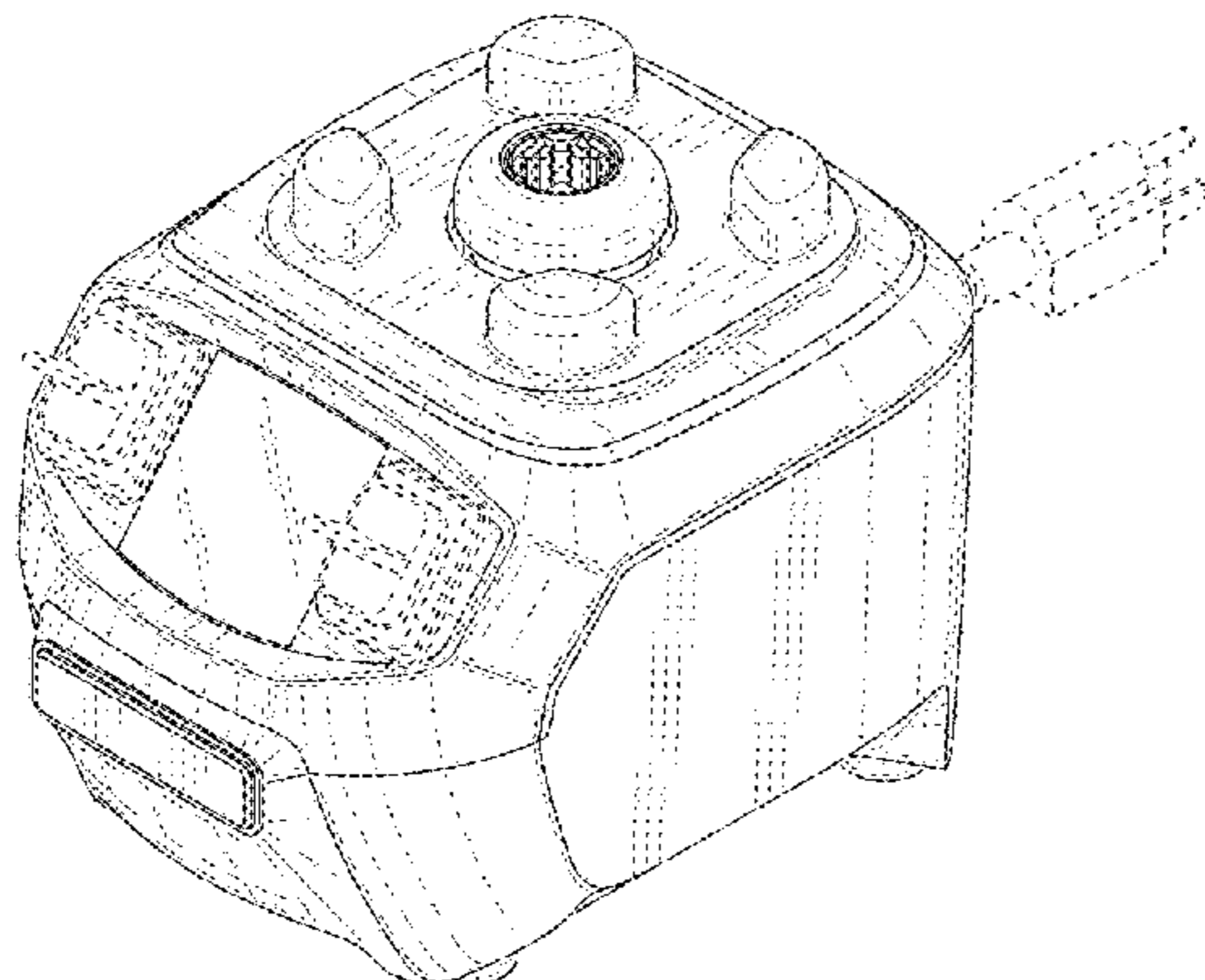
(57) **CLAIM**

The ornamental design for a blender base, as shown and described.

DESCRIPTION

FIG. 1 is a perspective view of the claimed design as seen from the top, front and right side of a blender base;
FIG. 2 is front view thereof;
FIG. 3 is a rear view thereof;
FIG. 4 is a right side view thereof;
FIG. 5 is a left side view thereof;
FIG. 6 is a top view thereof;
FIG. 7 is a bottom view thereof; and,
FIG. 8 is an additional perspective view thereof.
The broken lines in the drawings are included for illustrative purposes only and form no part of the claimed design.

1 Claim, 8 Drawing Sheets



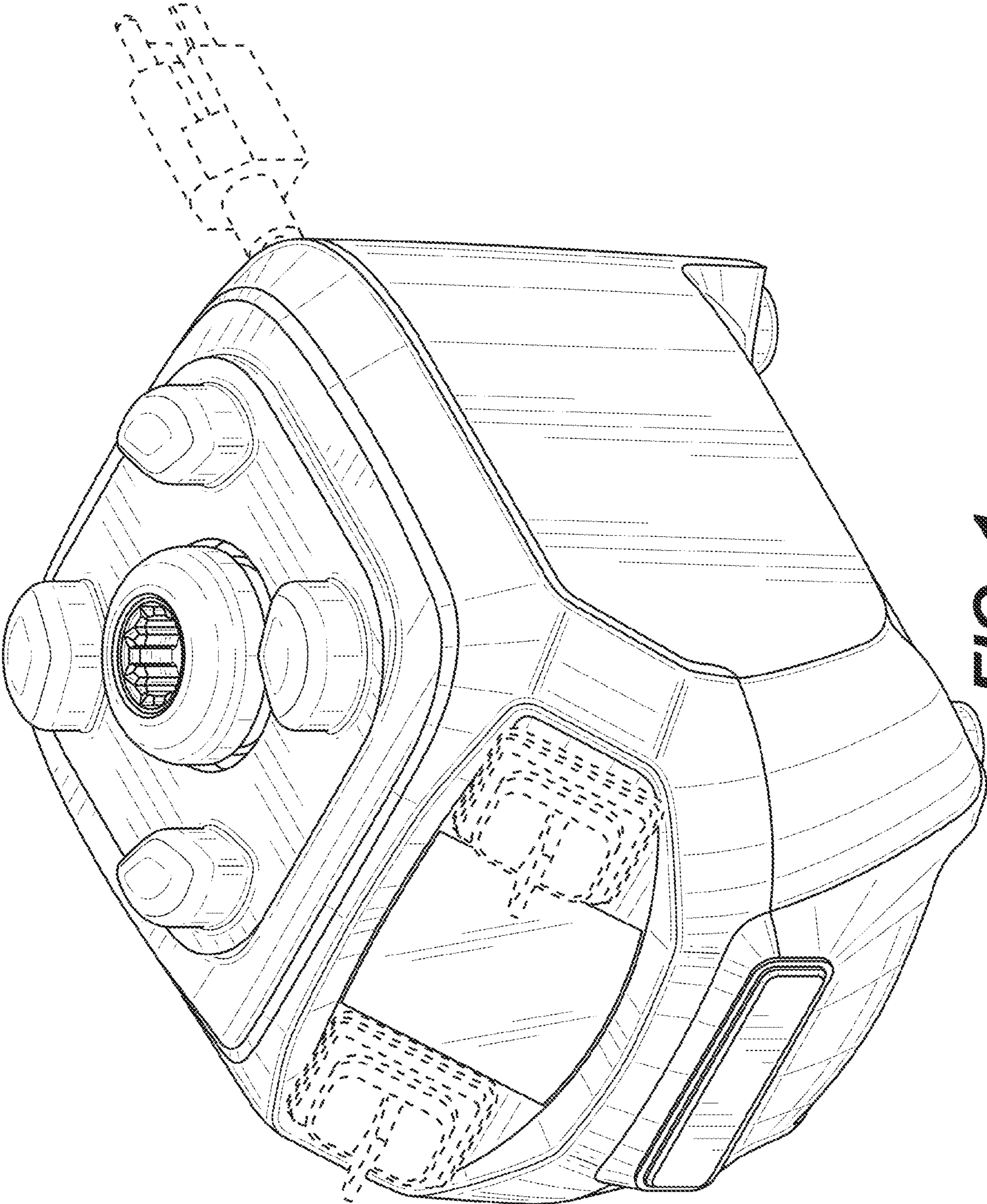


FIG. 1

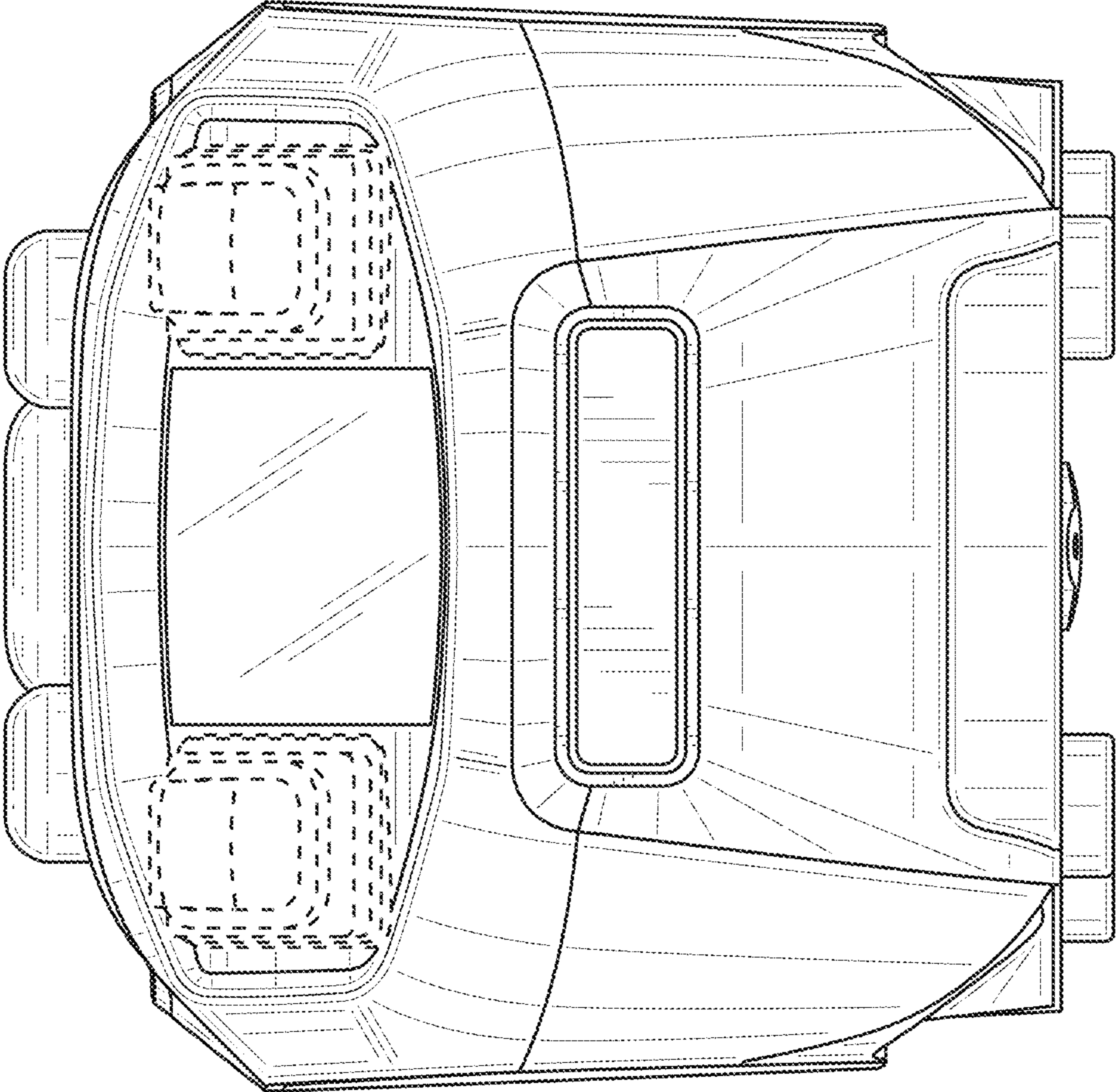


FIG. 2

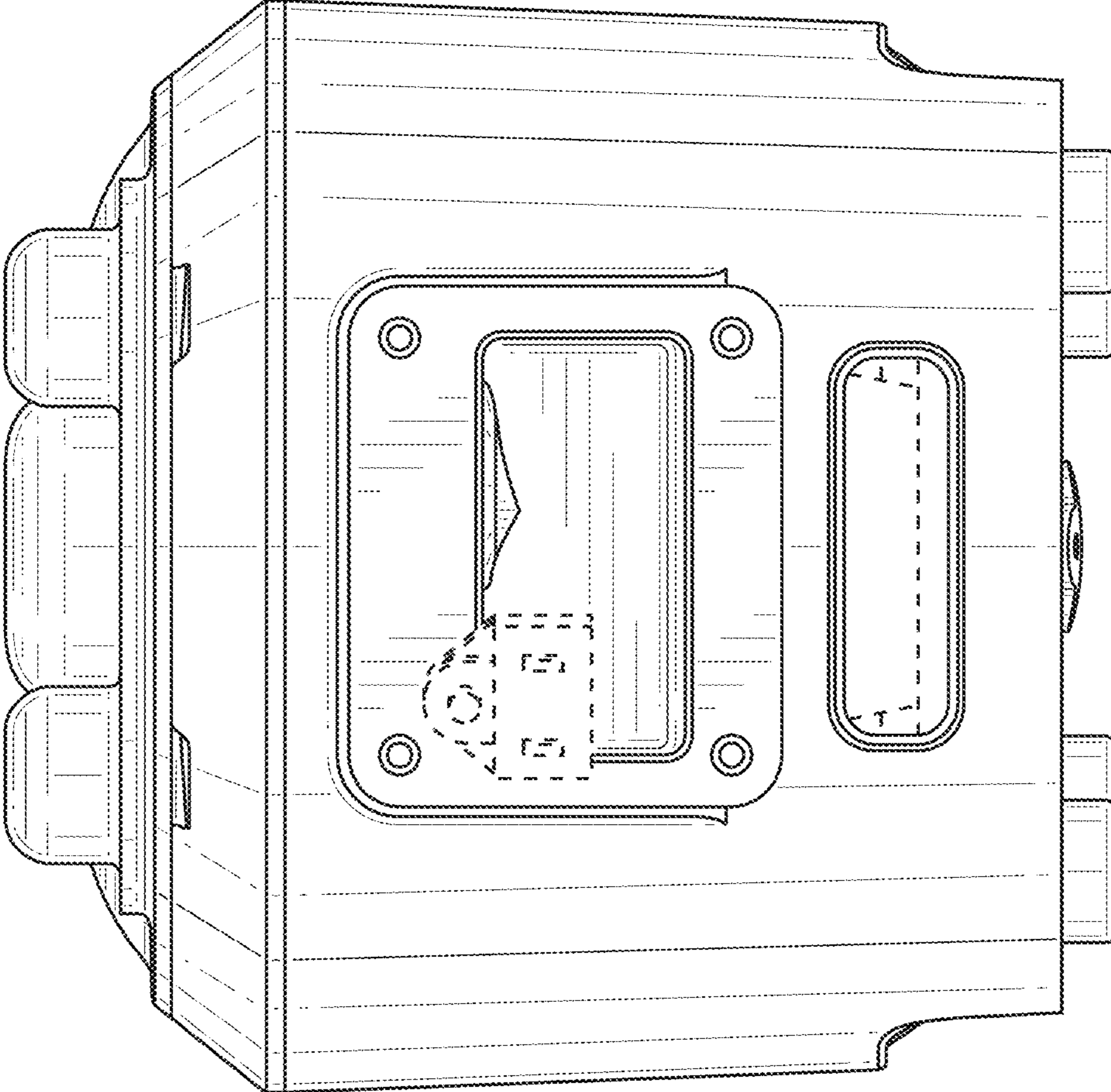


FIG. 3

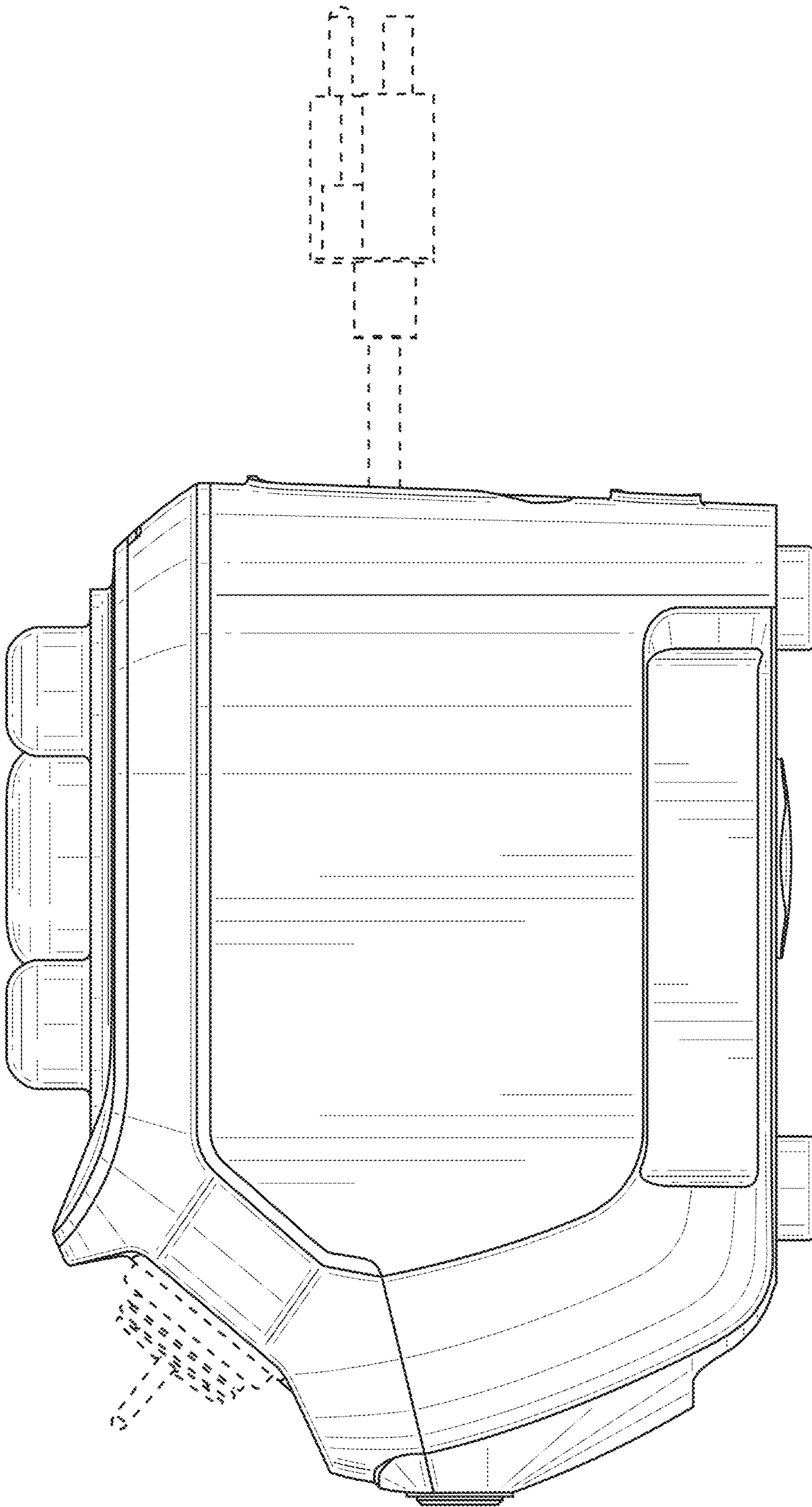


FIG. 4

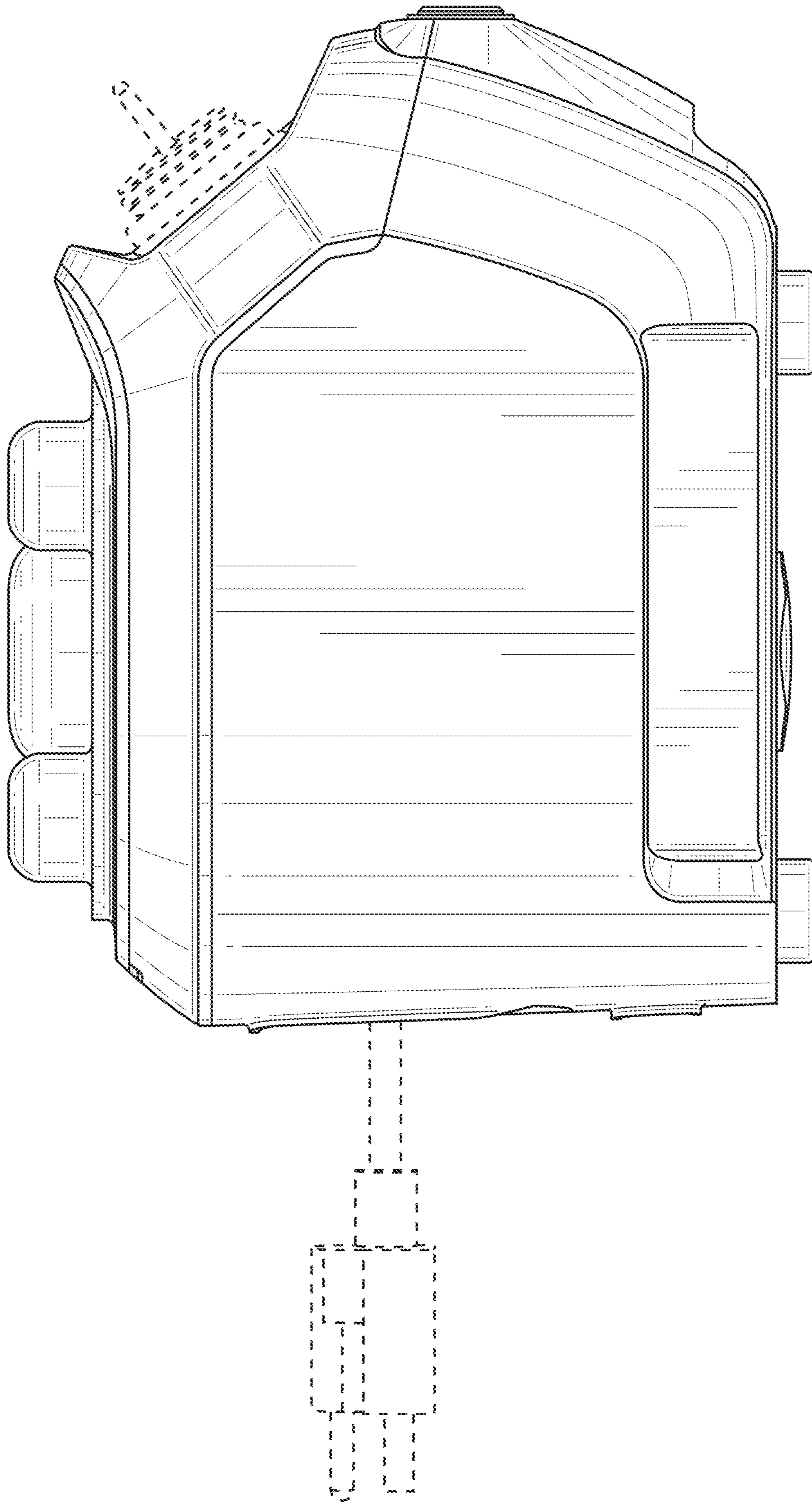


FIG. 5

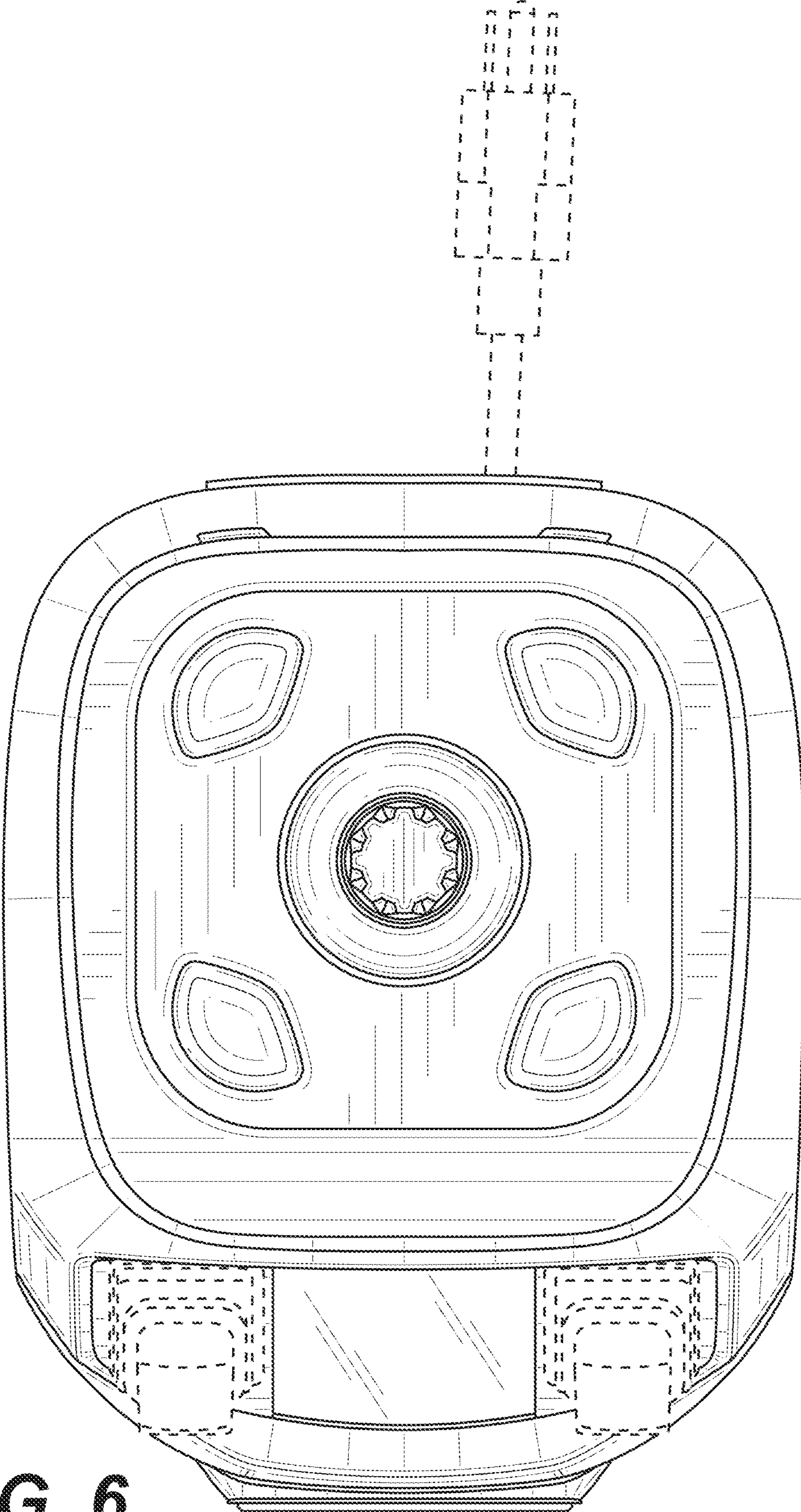


FIG. 6

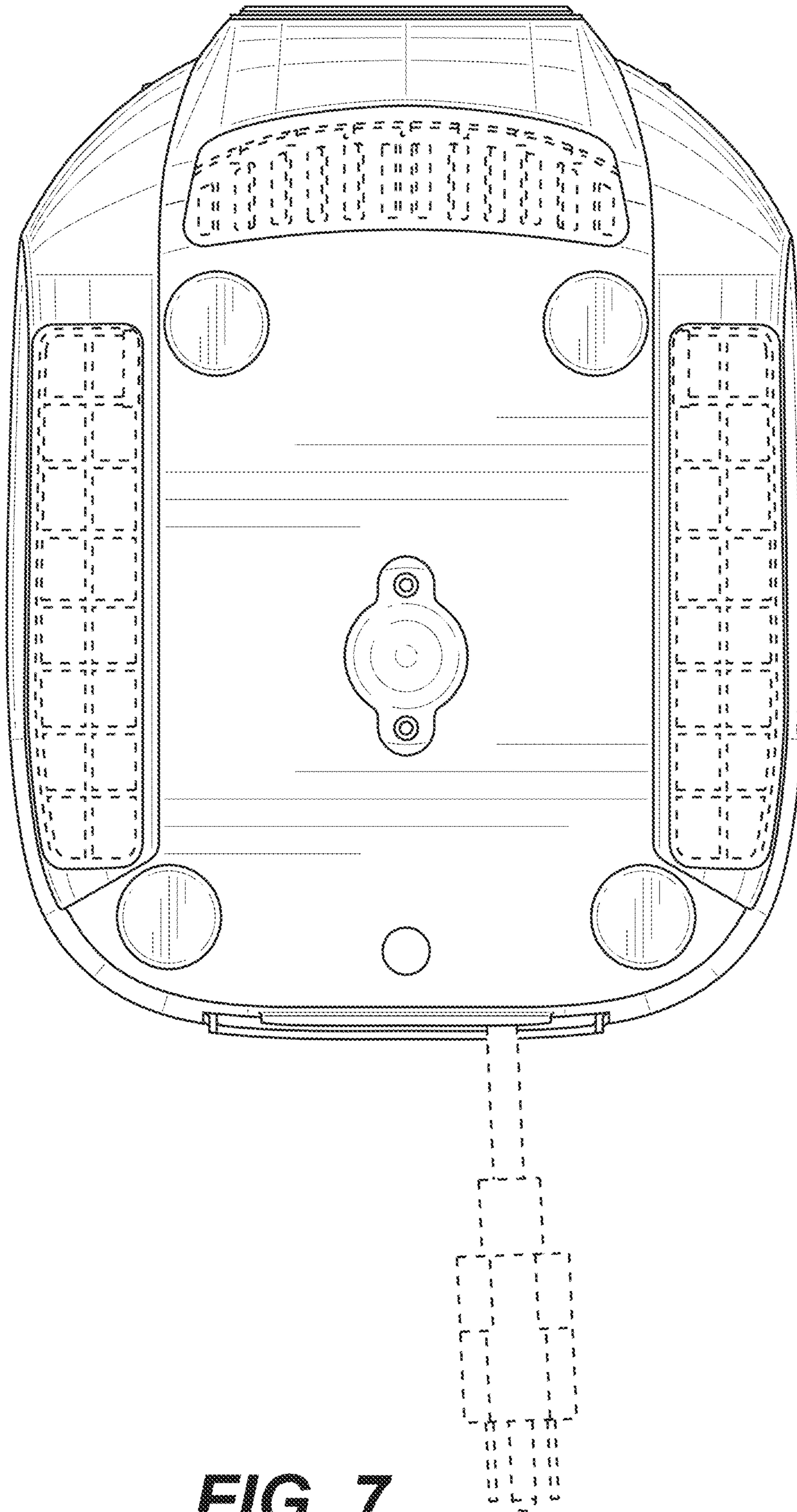


FIG. 7

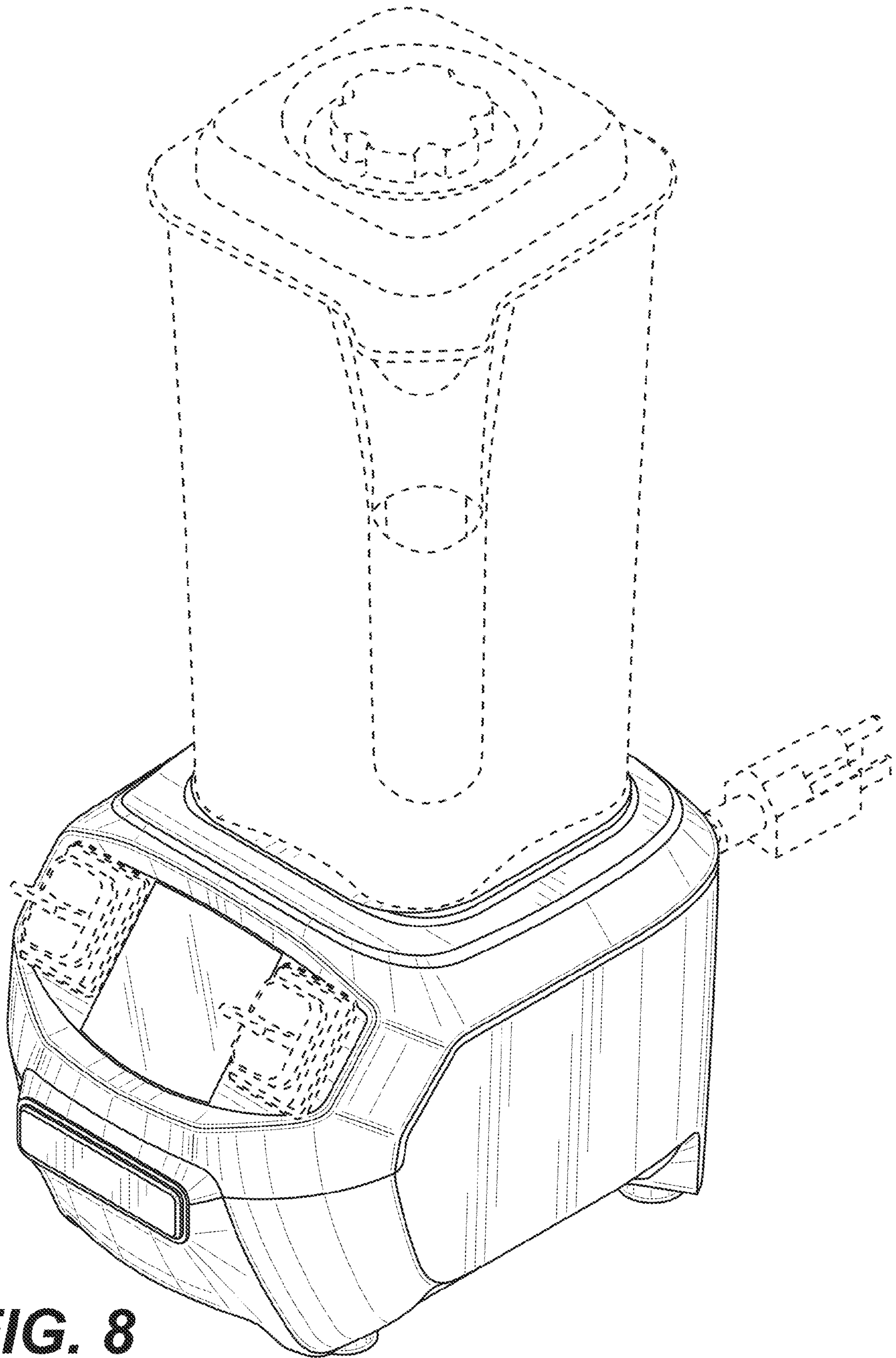


FIG. 8