



US00D920733S

(12) **United States Design Patent**
Cozzolino

(10) **Patent No.:** **US D920,733 S**
(45) **Date of Patent:** **** Jun. 1, 2021**

(54) **ELECTRIC COOKER WITH REMOVABLE DUTCH OVEN**

(71) Applicant: **GROUPE SEB USA**, Parsippany, NJ (US)

(72) Inventor: **Steven C. Cozzolino**, New York, NY (US)

(73) Assignee: **GROUPE SEB USA**, Parsippany, NJ (US)

(**) Term: **15 Years**

(21) Appl. No.: **29/720,267**

(22) Filed: **Jan. 10, 2020**

(51) **LOC (13) Cl.** **07-02**

(52) **U.S. Cl.**
USPC **D7/358**

(58) **Field of Classification Search**
USPC D7/323, 337, 339, 340, 341, 346, 350.3, D7/352, 354, 355, 356, 357, 358, 359, D7/360, 361, 362, 363, 364, 365, 366, D7/367, 402, 403, 406, 407, 601
CPC A21B 1/06; A21B 1/50; A21B 1/52; A47J 37/04; A47J 37/06; A47J 37/015; A47J 37/067; A47J 37/0611; A47J 37/0629; A47J 37/0676; A47J 37/108; F24C 7/06; F24C 7/083; F24C 15/02; F24C 15/66; H05B 3/20; H05B 3/40
See application file for complete search history.

(56) **References Cited**

U.S. PATENT DOCUMENTS

D450,528 S	*	11/2001	Rossman	D7/360
D590,204 S	*	4/2009	Tetreault	D7/354
D802,987 S	*	11/2017	Corlay	D7/358
D853,173 S	*	7/2019	Bucklew	D7/357
D874,211 S	*	2/2020	Deng	D7/354

(Continued)

OTHER PUBLICATIONS

All-Clad Cast Iron Dutch Oven Slow Cooker, announced Mar. 2020 [online], retrieved Dec. 2, 2020, retrieved from internet, <https://www.williams-sonoma.com/products/all-clad-cast-iron-dutch-oven-slow-cooker-5-quart/>.*

(Continued)

Primary Examiner — Dana K Weiland

Assistant Examiner — Messina L Smith

(74) *Attorney, Agent, or Firm* — Loeb & Loeb LLP

(57) **CLAIM**

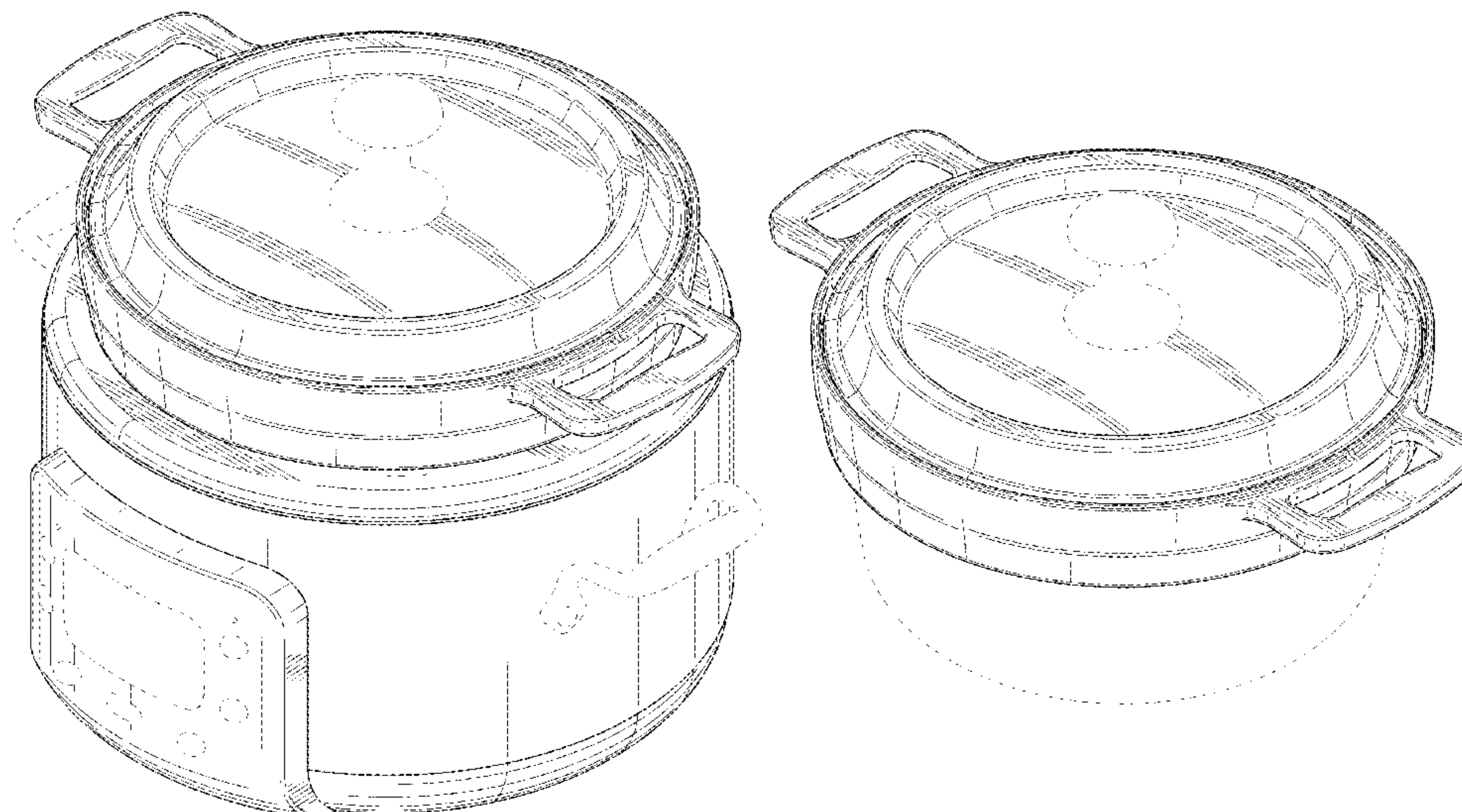
The ornamental design for an electric cooker with removable Dutch oven, as shown and described.

DESCRIPTION

FIG. 1 is an isometric view of an electric cooker with removable Dutch oven showing my new design; FIG. 2 is a front elevational view thereof; FIG. 3 is a rear elevational view thereof; FIG. 4 is a right side elevational view thereof; FIG. 5 is a left side elevational view thereof; FIG. 6 is a top view thereof; FIG. 7 is a bottom view thereof; FIG. 8 is an isometric view of the removable Dutch oven of the electric cooker with removable Dutch oven shown separately to show aspects of the design that are not visible when combined; FIG. 9 is a front elevational view thereof; FIG. 10 is a rear elevational view thereof; FIG. 11 is a right side elevational view thereof; FIG. 12 is a left side elevational view thereof; FIG. 13 is a top view thereof; and, FIG. 14 is a bottom view thereof.

The even dash lines shown in the figure drawings depict portions of the electric cooker with removable Dutch oven that form no part of the claimed design. The dot dash line in FIG. 7 is for the purpose of illustrating the bounds of the claimed design and forms no part thereof.

1 Claim, 14 Drawing Sheets



(56)

References Cited

U.S. PATENT DOCUMENTS

D883,015	S	*	5/2020	Deng	D7/354
D883,016	S	*	5/2020	Deng	D7/354
D896,563	S	*	9/2020	Lee	D7/354
D897,756	S	*	10/2020	Dutruel	D7/360
D899,178	S	*	10/2020	Ye	D7/358
D900,529	S	*	11/2020	You	D7/358
D901,230	S	*	11/2020	Ye	D7/354
2005/0173402	A1	*	8/2005	White	A47J 27/004 219/432
2008/0169280	A1	*	7/2008	Barnes	A47J 27/004 219/412
2018/0325313	A1	*	11/2018	De' Longhi	A47J 43/046
2019/0274462	A1	*	9/2019	Moon	A47J 27/0815

OTHER PUBLICATIONS

It's a slow cooker, it's a dutch oven, announced Feb. 28, 2020 [online], retrieved Dec. 2, 2020, retrieved from internet, <https://twitter.com/AllClad/status/1233483522582732801/photo/1>.*

Slow cooker recipes that will feed your family for days, announced Jul. 9, 2020 [online], retrieved Dec. 2, 2020, retrieved from internet, <https://www.cnn.com/2020/07/09/cnn-underscored/best-slow-cooker-recipes/index.html>.*

Making Pulled Pork in the All-Clad Electric Dutch Oven, announced Jan. 17, 2020 [online], retrieved Dec. 2, 2020, retrieved from internet, <https://www.youtube.com/watch?v=7LSdP8qWVJM>.*

* cited by examiner

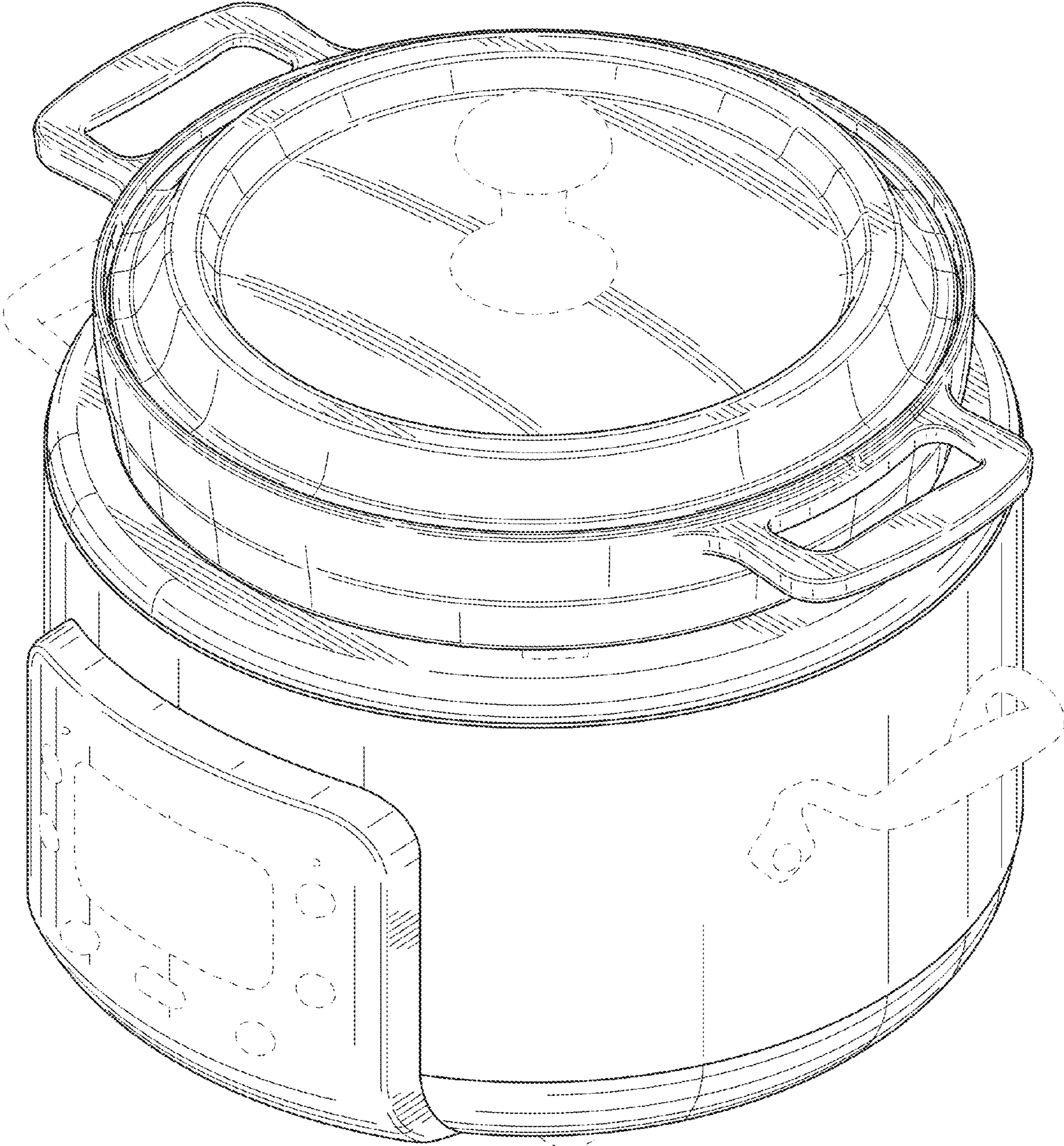


FIG. 1

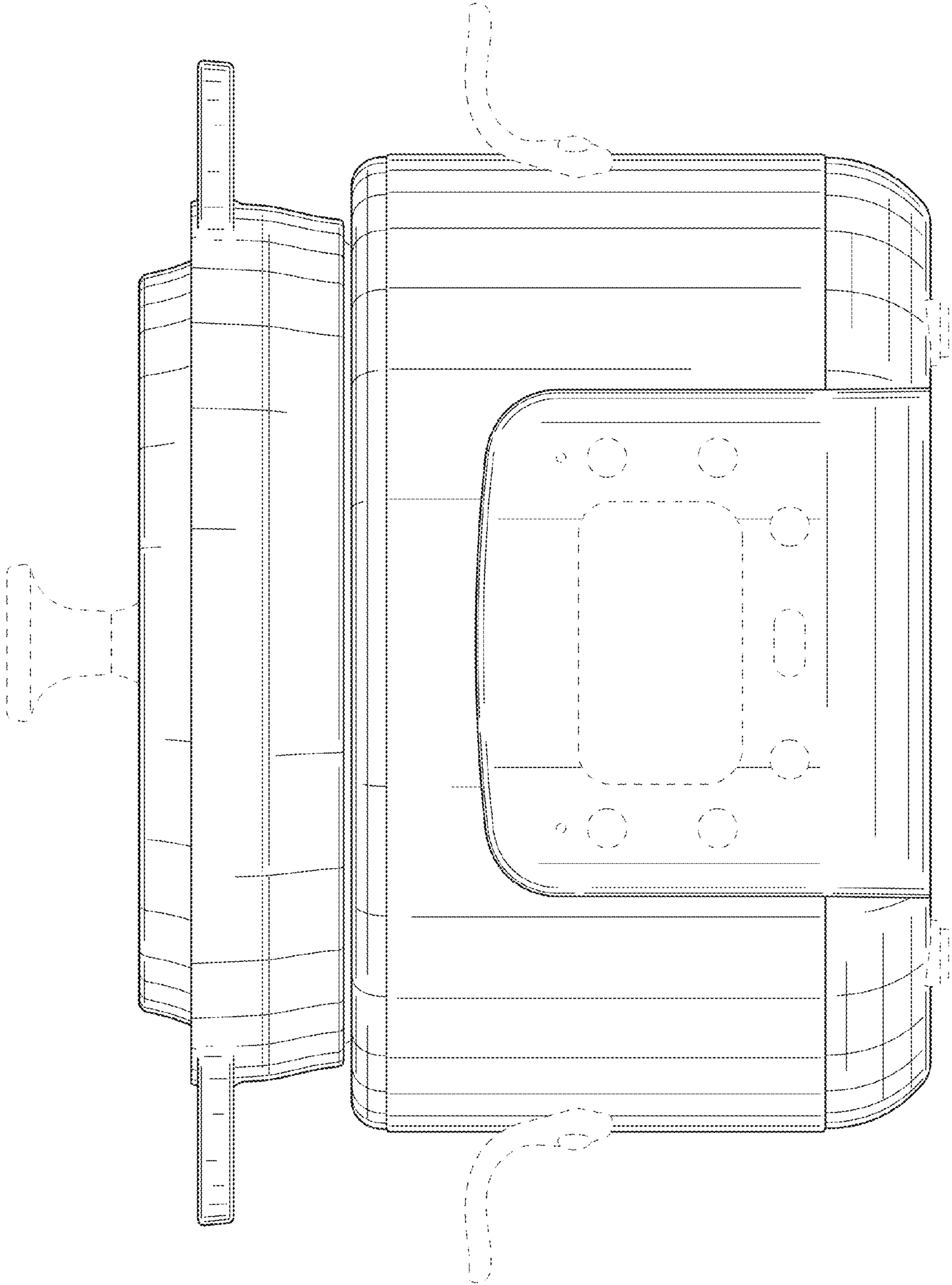


FIG. 2

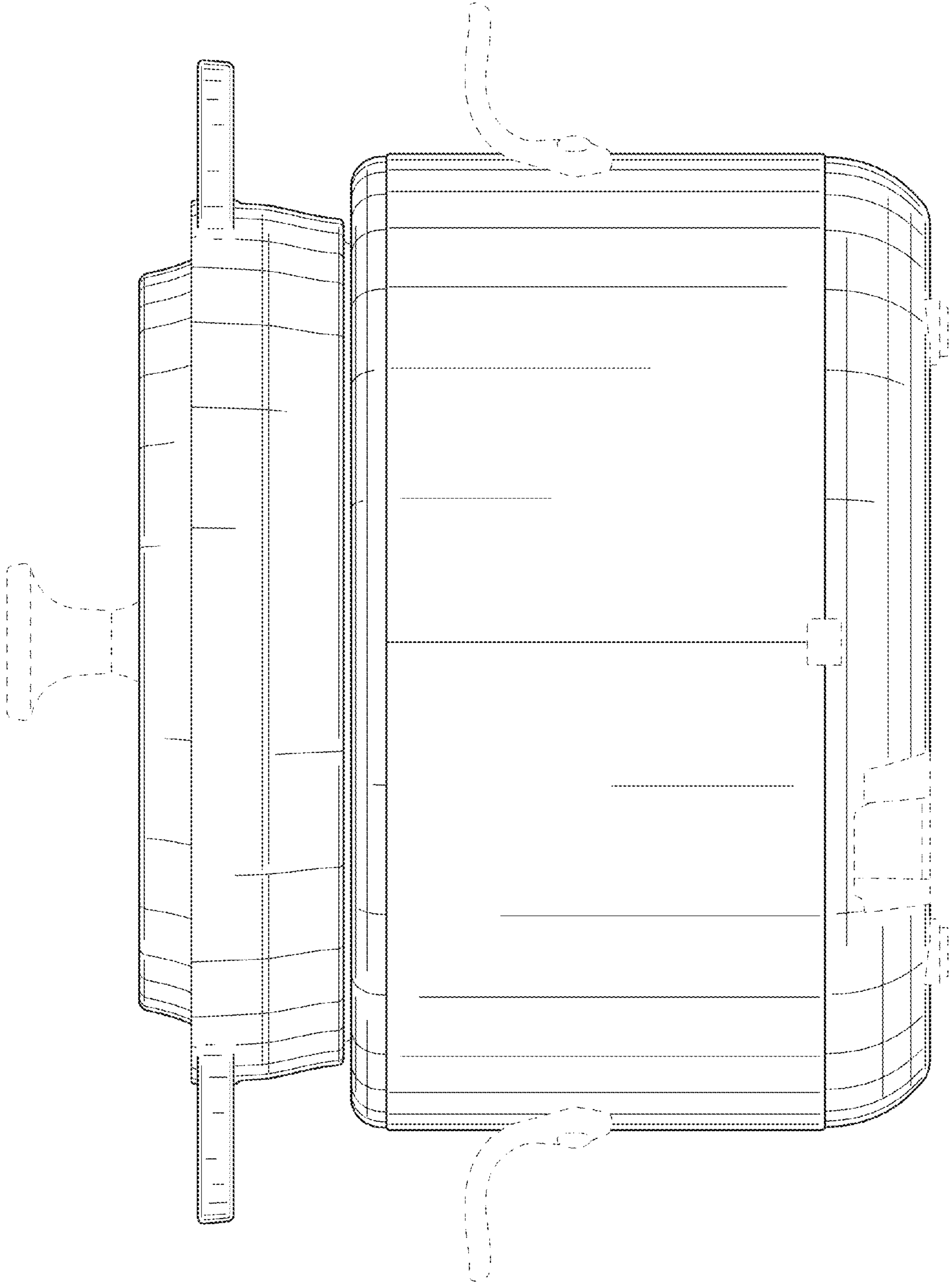


FIG. 3

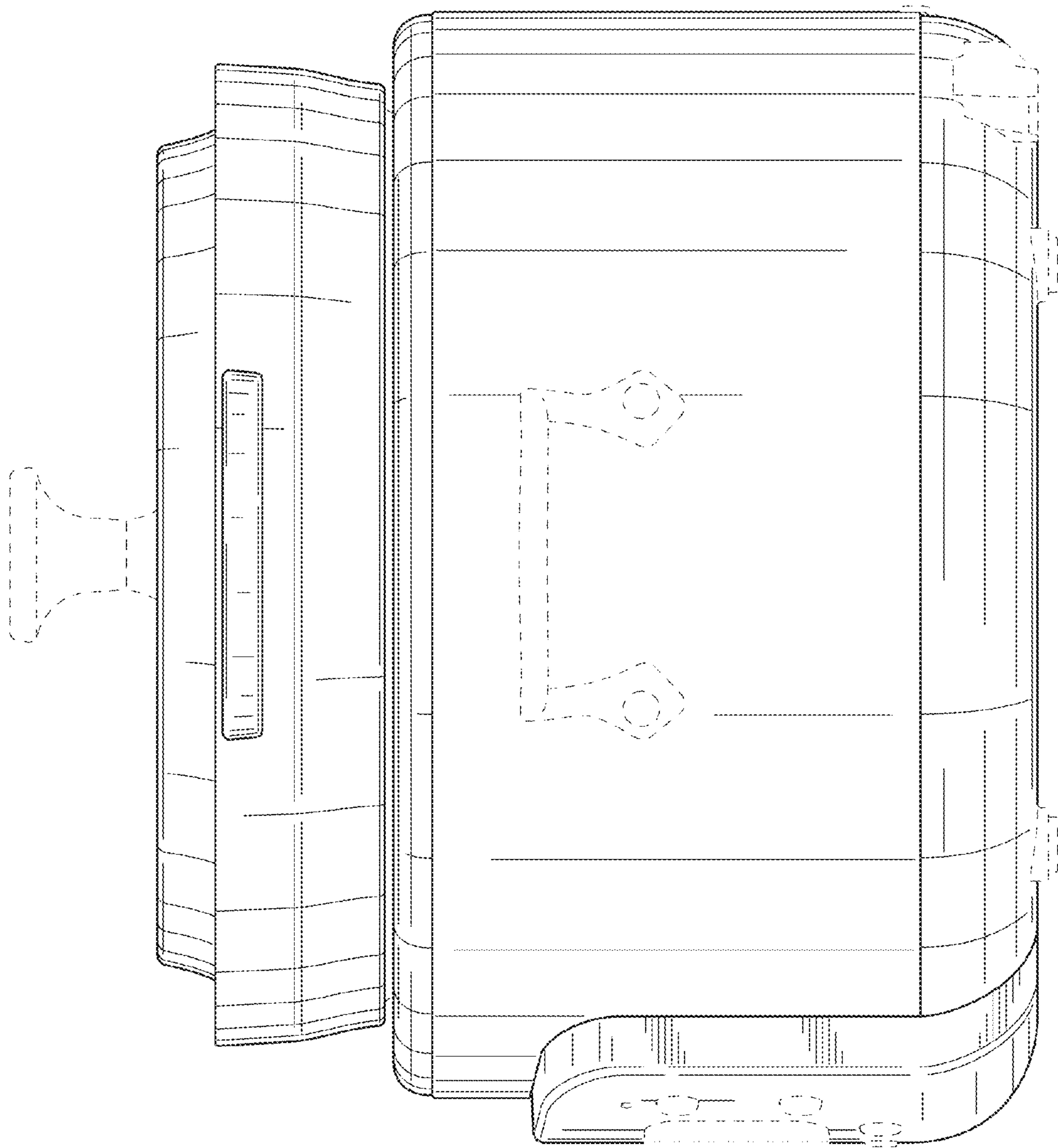


FIG. 4

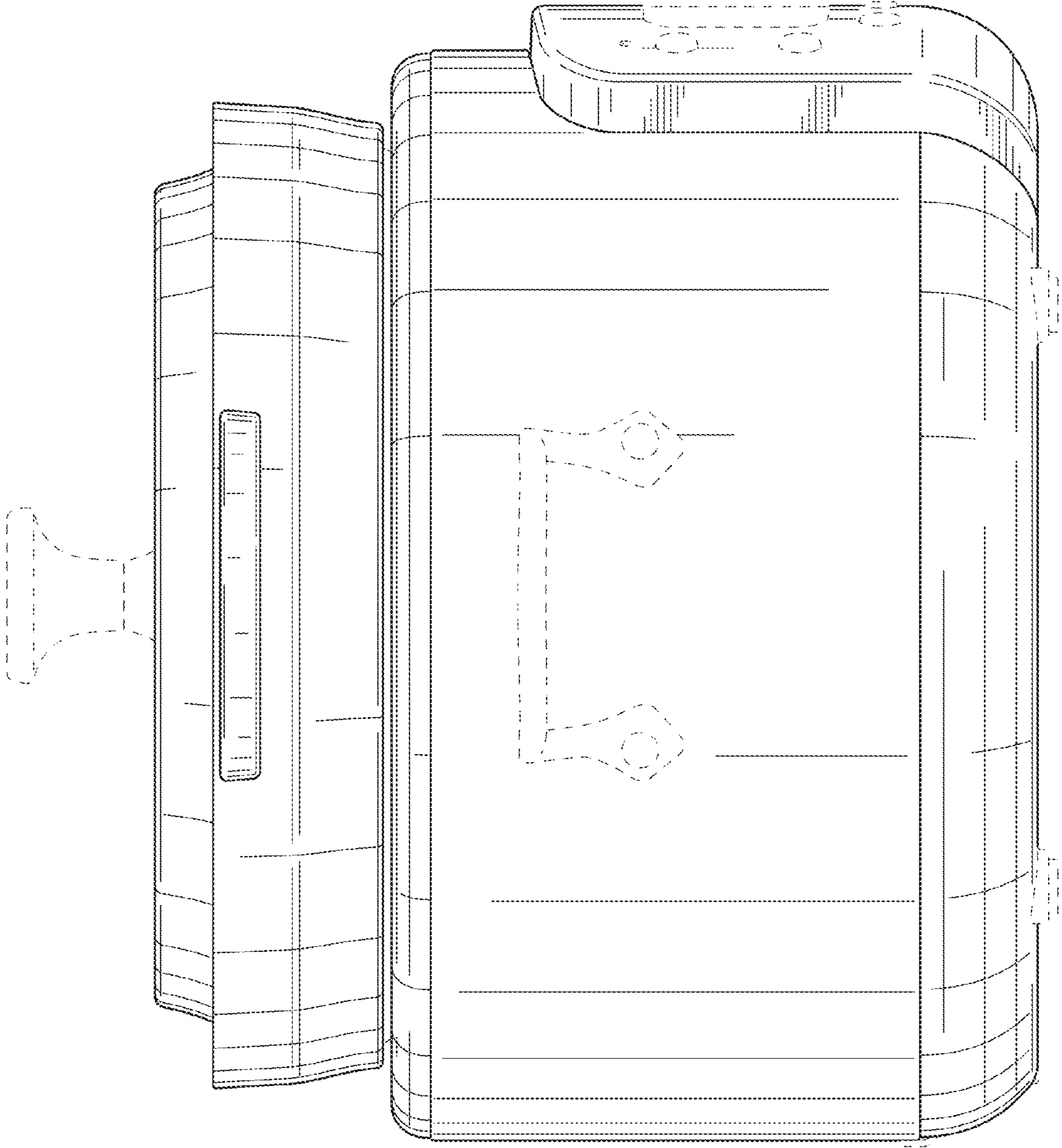


FIG. 5

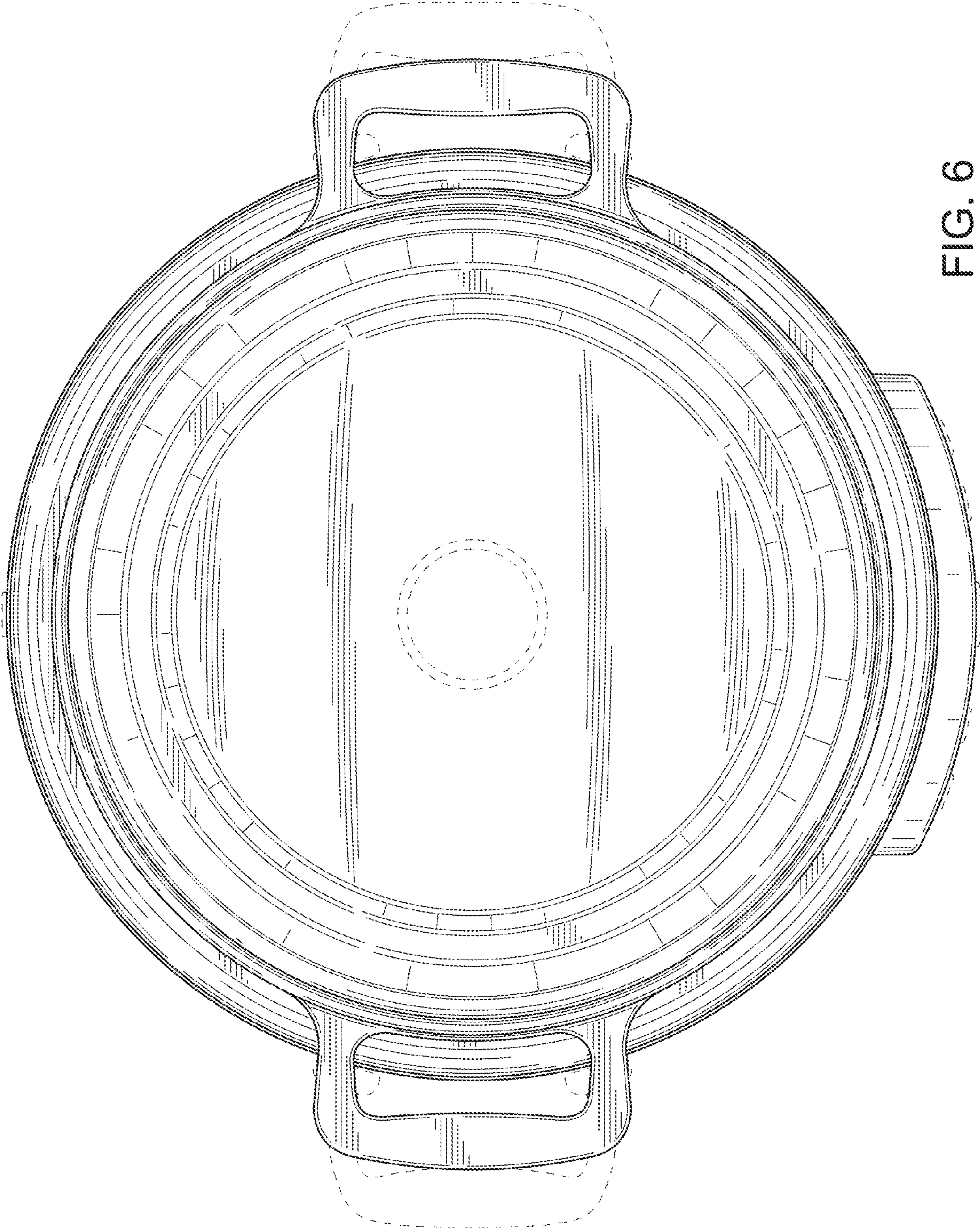


FIG. 6

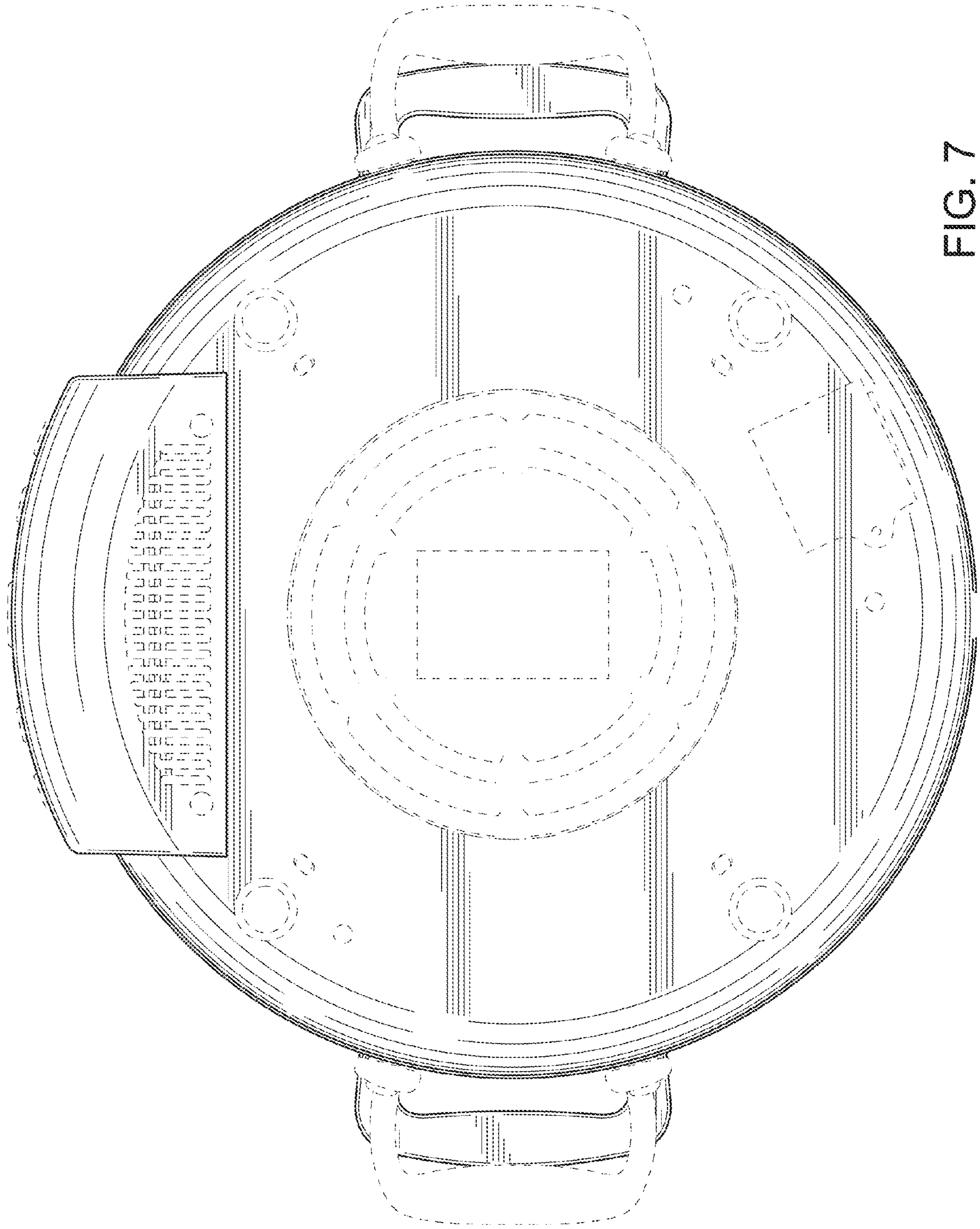


FIG. 7

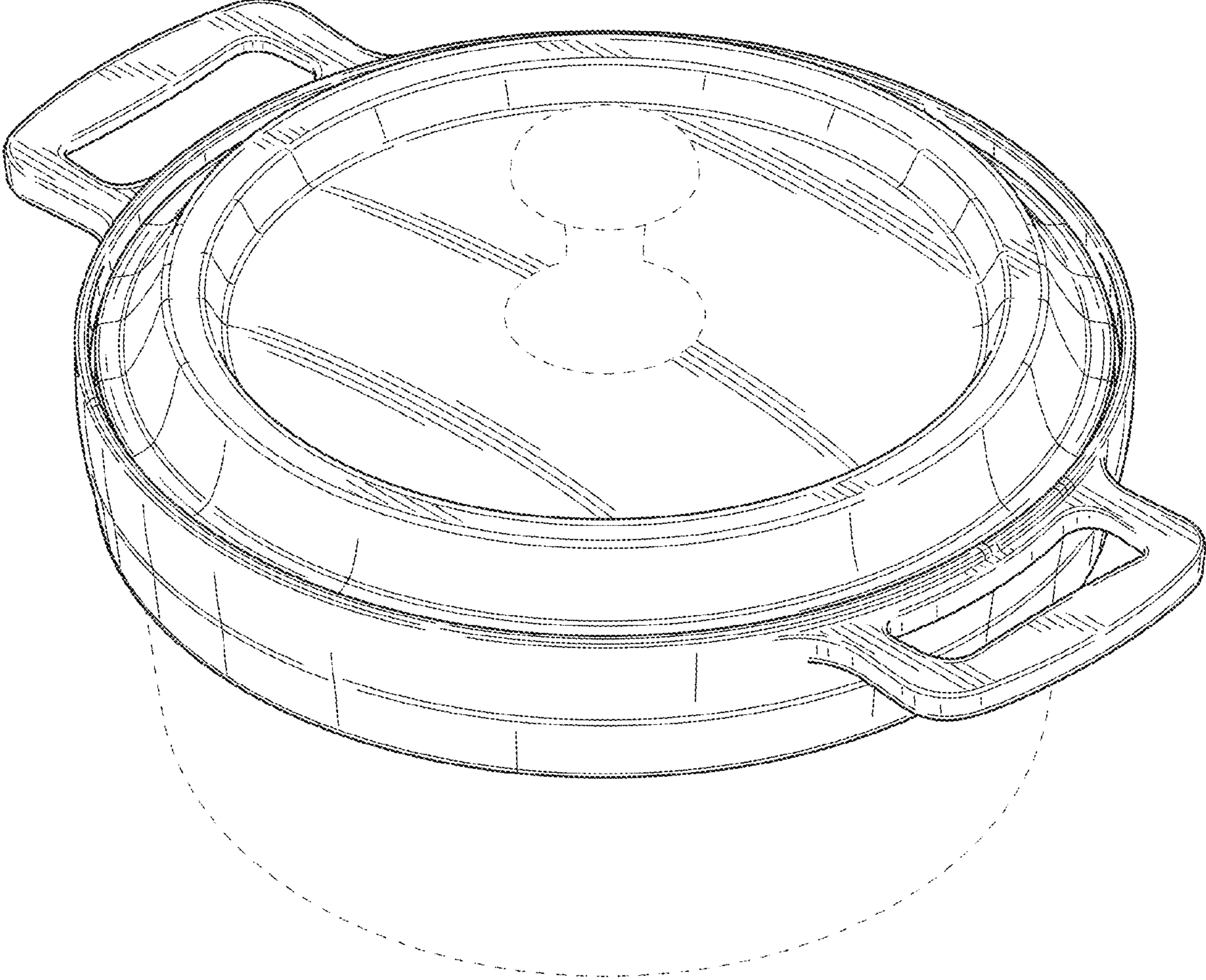


FIG. 8

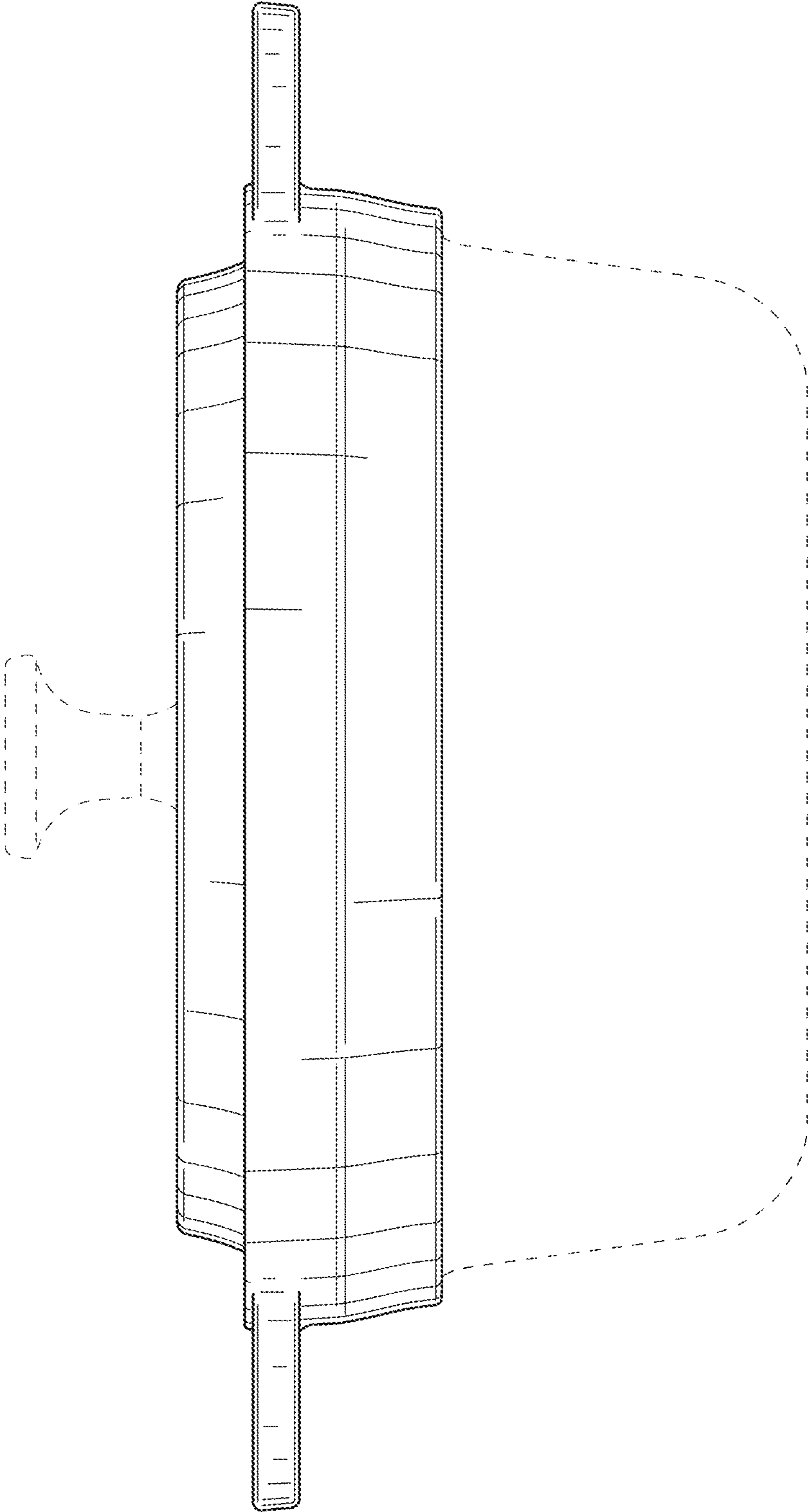


FIG. 9

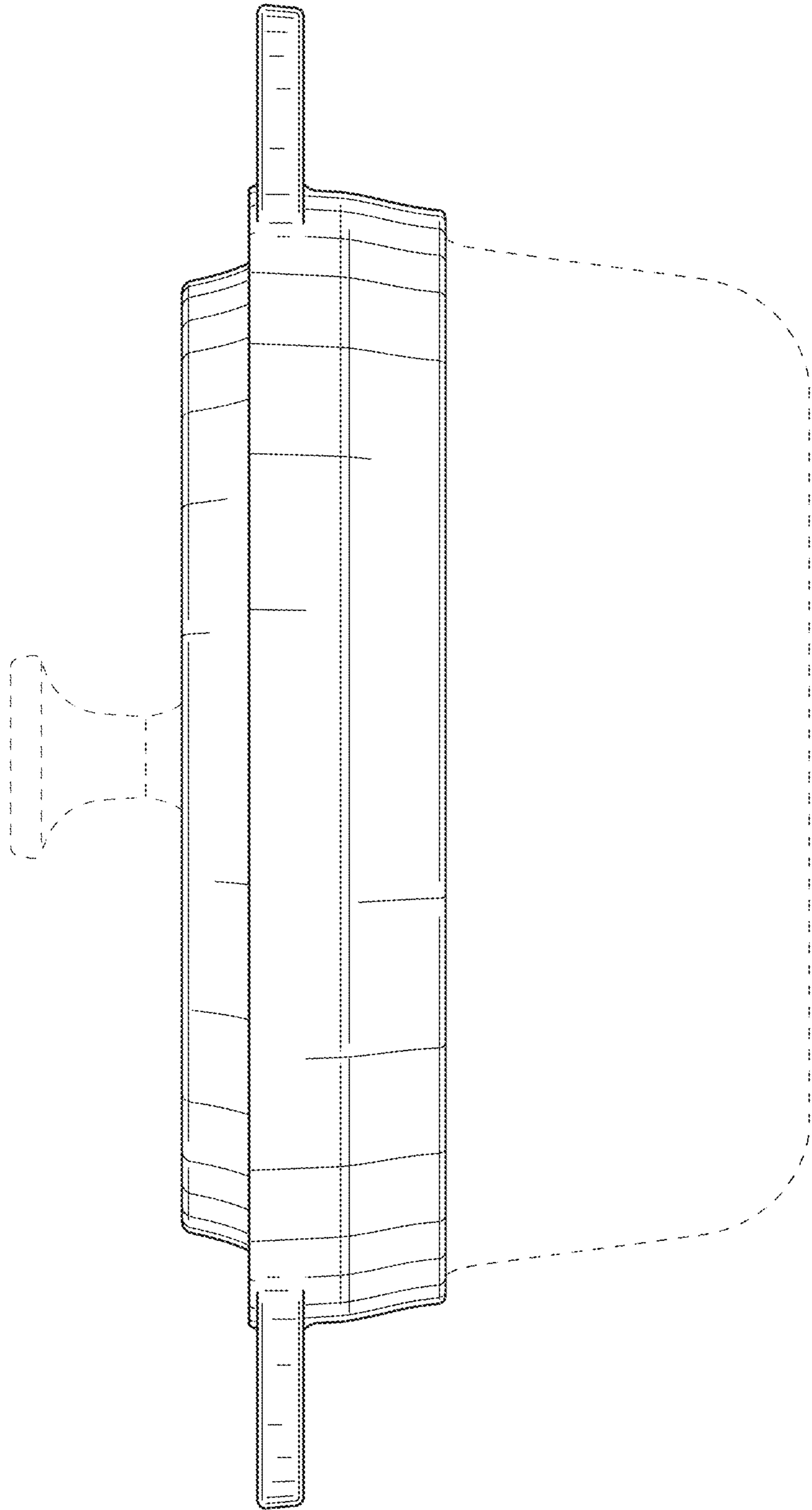


FIG. 10

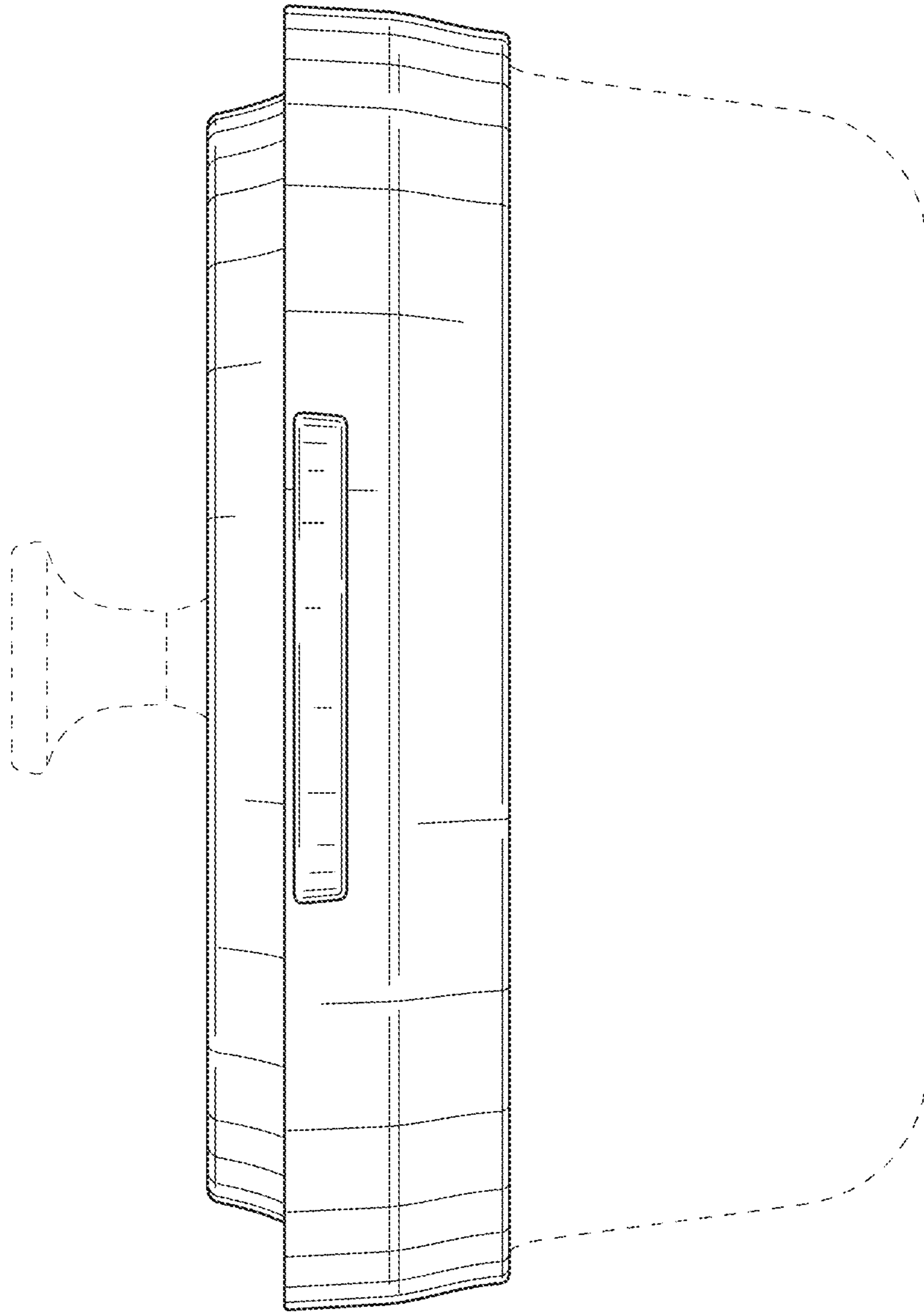


FIG. 11

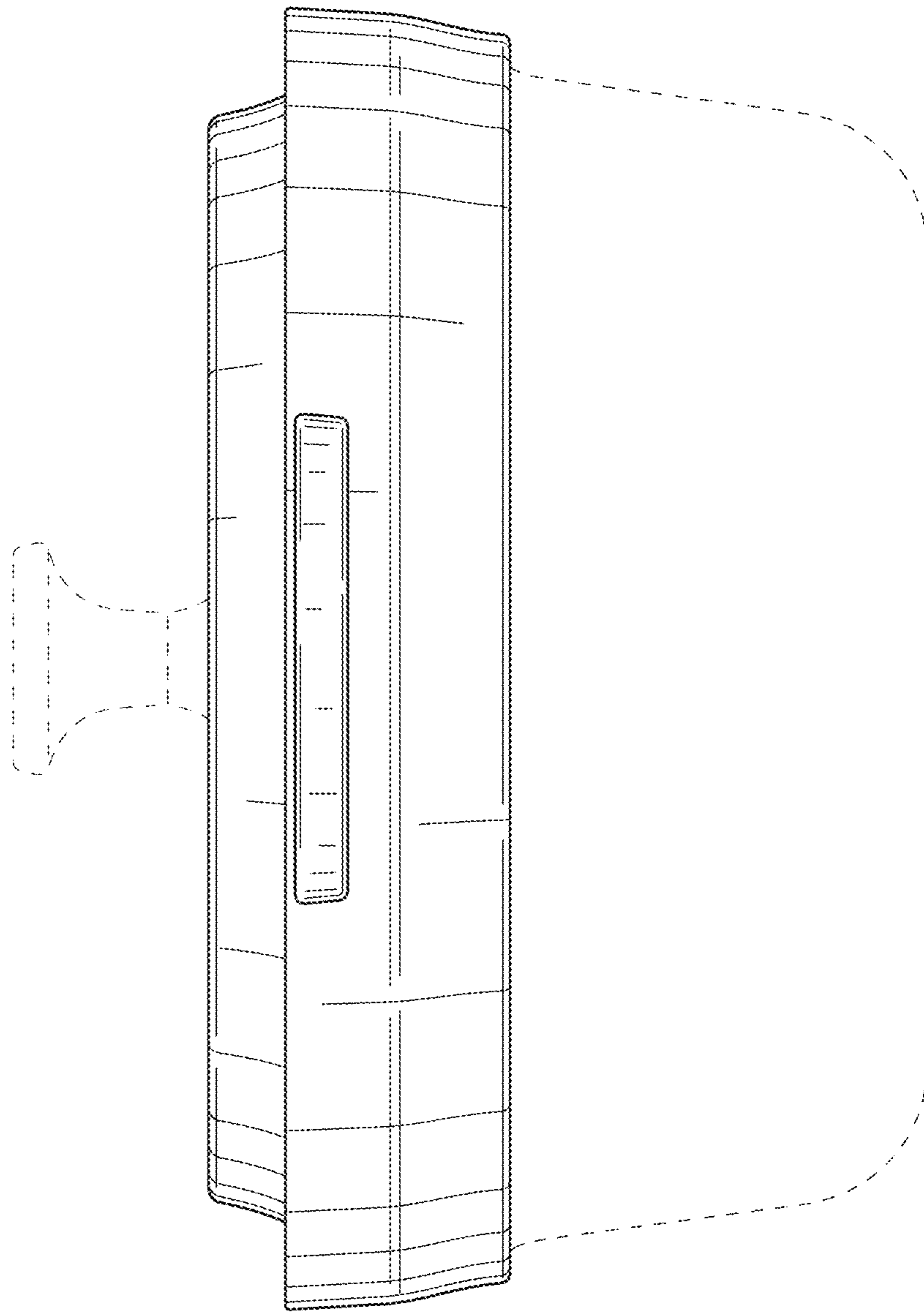


FIG. 12

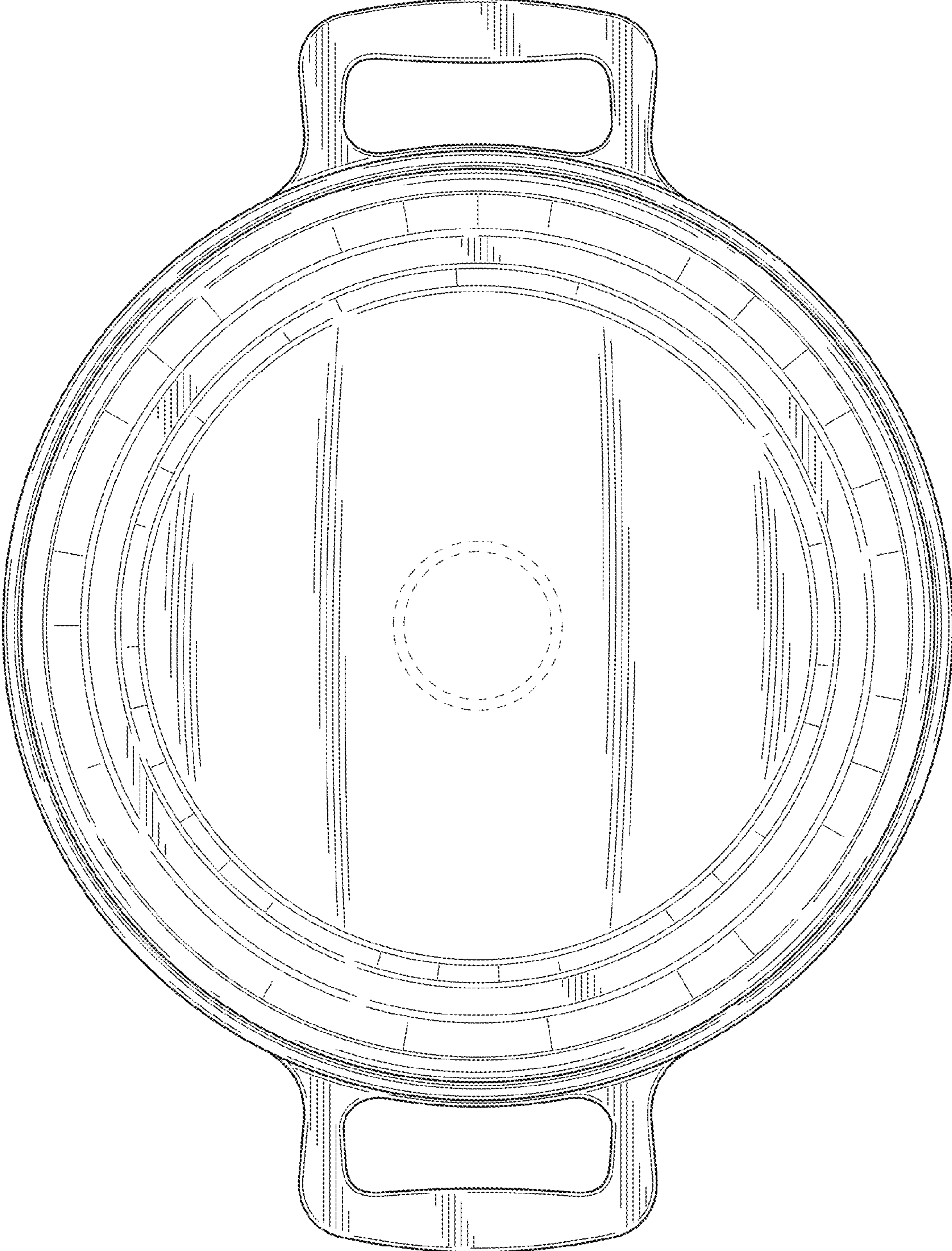


FIG. 13

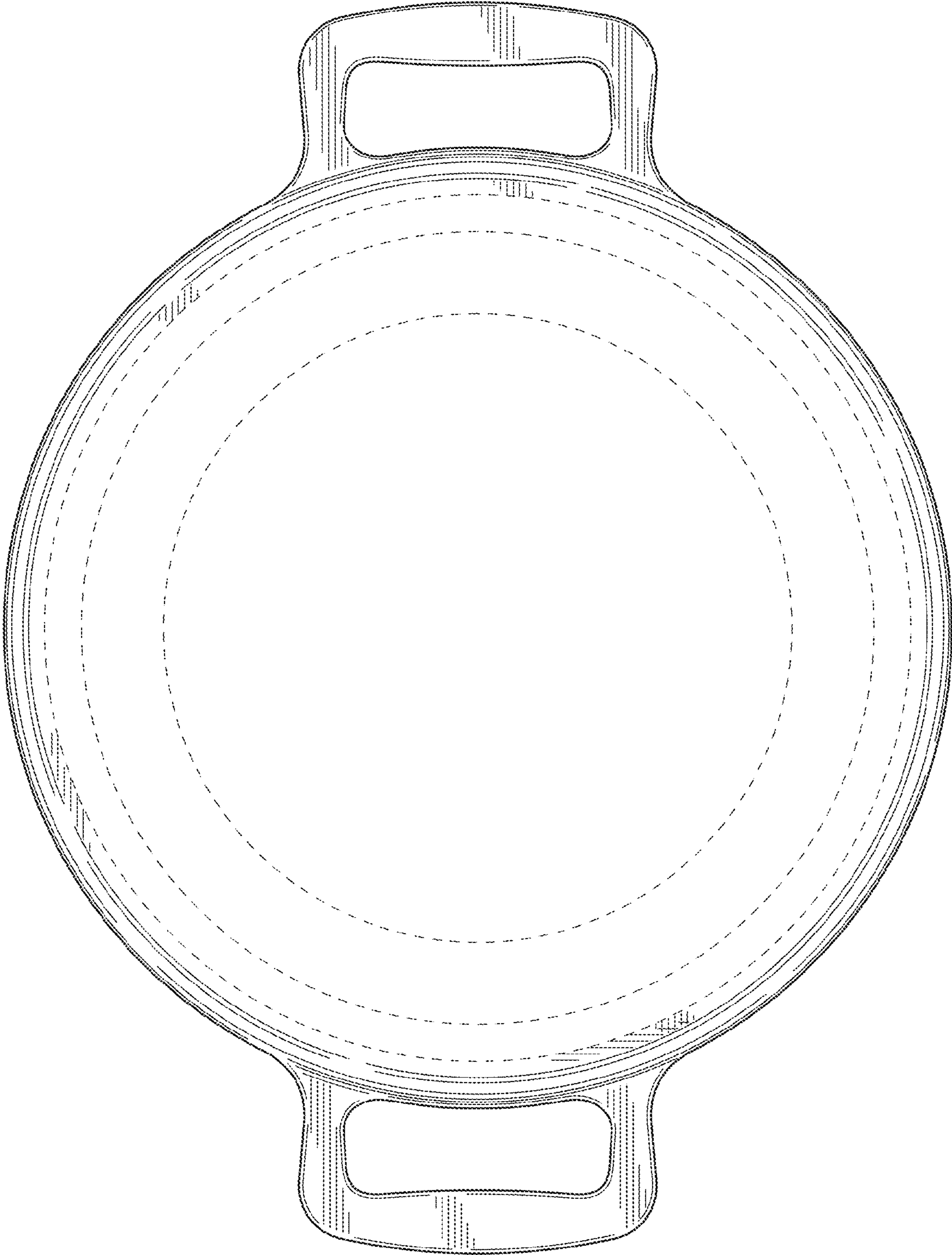


FIG. 14