



US00D920731S

(12) **United States Design Patent**
Henderson

(10) **Patent No.:** **US D920,731 S**
(45) **Date of Patent:** **** Jun. 1, 2021**

- (54) **ELECTRIC FRYER**
- (71) Applicant: **GROUPE SEB USA**, Parsippany, NJ (US)
- (72) Inventor: **Scott Henderson**, Brooklyn, NY (US)
- (73) Assignee: **GROUPE SEB USA**, Parsippany, NJ (US)
- (**) Term: **15 Years**
- (21) Appl. No.: **29/707,215**
- (22) Filed: **Sep. 26, 2019**
- (51) **LOC (13) Cl.** **07-02**
- (52) **U.S. Cl.**
USPC **D7/354**
- (58) **Field of Classification Search**
USPC D7/323, 337, 339, 340, 341, 352, 354, D7/355, 356, 357, 358, 359, 360, 361, D7/393, 402, 403, 409, 601, 612
CPC A21B 1/06; A21B 1/26; A21B 1/50; A21B 1/52; A47J 37/04; A47J 37/06; A47J 37/015; A47J 37/067; A47J 37/0629; A47J 37/0676; A47J 37/108; A47J 36/16; A47J 36/20; A47J 36/22; F24C 7/06; F24C 15/02; H05B 3/20; H05B 3/40
See application file for complete search history.

- D386,646 S 11/1997 Wurth
- D387,243 S 12/1997 Bumoux
- D395,786 S 7/1998 Rossi
- D433,267 S 11/2000 Werts
- D455,600 S 4/2002 Barrena
- (Continued)

FOREIGN PATENT DOCUMENTS

- CN 3675138 8/2007
- CN 300749747 2/2008
- (Continued)

OTHER PUBLICATIONS

T-fal Odorless Stainless Steel lean Deep Fryer, announced Sep. 10, 2019 [online], retrieved Aug. 31, 2020, retrieved from internet, <https://www.amazon.com/T-fal-FR600D51-Stainless-Filtration-3-5-Liter/dp/B07WXN1963>.*

(Continued)

Primary Examiner — Dana K Weiland
Assistant Examiner — Messina L Smith
(74) *Attorney, Agent, or Firm* — Loeb & Loeb LLP

(57) **CLAIM**

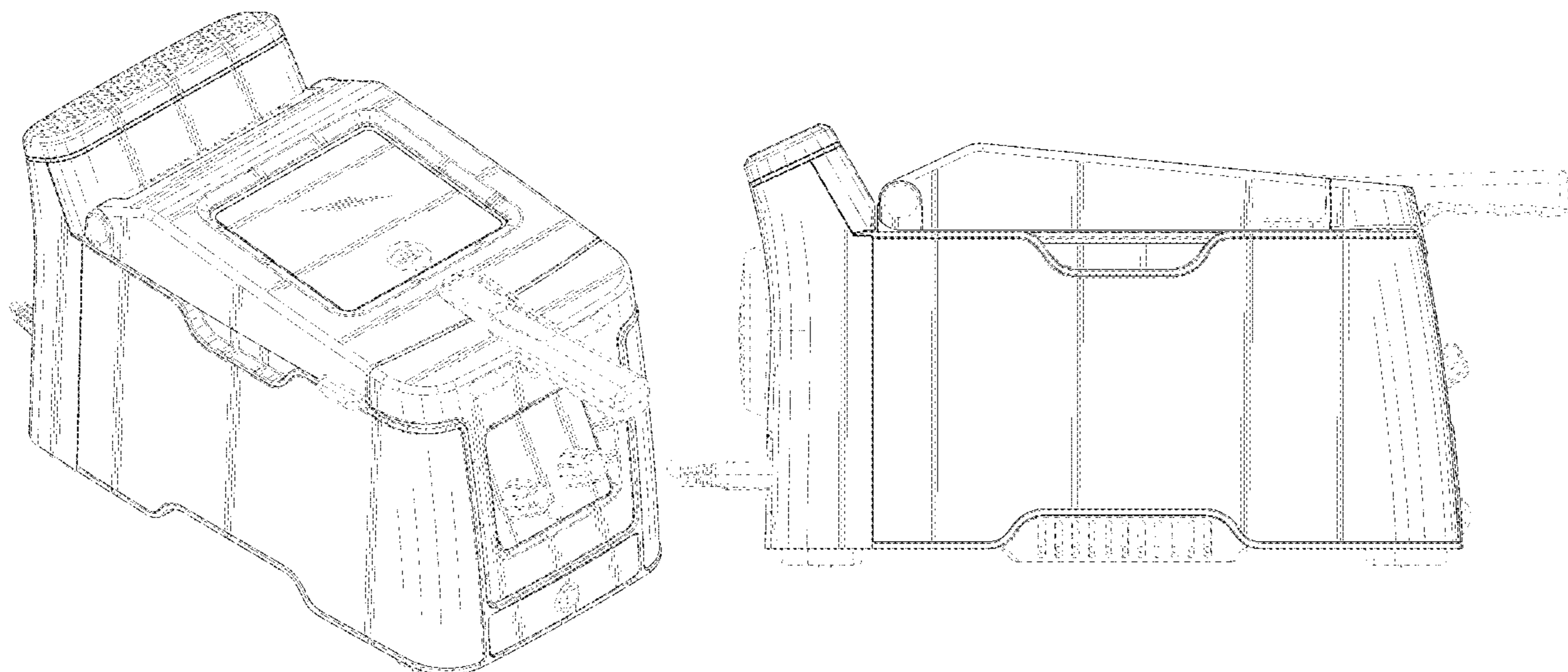
The ornamental design for an electric fryer, as shown and described.

DESCRIPTION

FIG. 1 is a perspective view of an electric fryer showing my new design;
FIG. 2 is a front elevational view thereof;
FIG. 3 is a back elevational view thereof;
FIG. 4 is a left side elevational view thereof;
FIG. 5 is a right side elevational view thereof;
FIG. 6 is a top view thereof; and,
FIG. 7 is a bottom view thereof.
The broken lines depict portions of the electric fryer that form no part of the claimed design.

1 Claim, 7 Drawing Sheets

- (56) **References Cited**
U.S. PATENT DOCUMENTS
- D169,876 S 6/1953 Wagner
- D272,034 S 1/1984 Beugnot
- D279,854 S 7/1985 Miller
- D305,971 S 2/1990 Janssens
- D308,000 S 5/1990 Slany et al.
- D316,650 S 5/1991 Slany et al.
- D369,270 S 4/1996 Payen
- D369,505 S 5/1996 Philippe
- 5,520,094 A 5/1996 Lu
- D374,588 S 10/1996 Federico



(56)

References Cited

U.S. PATENT DOCUMENTS

D474,937 S 5/2003 Josancy
 D475,570 S 6/2003 Josancy
 D489,935 S 5/2004 Choi
 D522,799 S 6/2006 Kassenaar
 D528,853 S 9/2006 Lloyd
 D539,599 S 4/2007 De'Longhi
 D542,095 S 5/2007 Orent et al.
 D551,897 S * 10/2007 De Pra' D7/339
 D582,719 S 12/2008 Kaposi
 D588,860 S 3/2009 Tienor et al.
 D604,093 S 11/2009 Moussu
 D606,800 S 12/2009 Bodum
 D655,971 S 3/2012 Reiner
 D677,112 S 3/2013 Piret
 D677,527 S 3/2013 Brega
 D680,800 S 4/2013 Berge
 D680,801 S 4/2013 Seymour
 D680,802 S 4/2013 Seymour
 D700,471 S 3/2014 Jozancy
 D709,731 S 7/2014 Jozancy
 8,783,170 B2 * 7/2014 Mathey A47J 37/1219
 99/407
 D710,149 S 8/2014 Josancy
 D715,087 S 10/2014 Nguyen
 D715,089 S 10/2014 Jozancy
 D716,600 S 11/2014 Dutruel
 D747,133 S 1/2016 Dutruel
 D750,418 S 3/2016 Allende

D760,017 S 6/2016 Berge
 D796,894 S 9/2017 Piret
 D830,102 S 10/2018 Corlay
 D860,712 S * 9/2019 Yang D7/358
 D883,011 S * 5/2020 Zhou D7/339
 2004/0154474 A1 8/2004 Chan
 2009/0205511 A1 8/2009 Tienor
 2010/0071564 A1 * 3/2010 Jones A47J 37/129
 99/418
 2017/0258270 A1 * 9/2017 Man A47J 37/1266
 2017/0258271 A1 * 9/2017 Man A47J 37/1223
 2017/0332646 A1 * 11/2017 Johnson A21B 1/26
 2018/0153348 A1 * 6/2018 Man A47J 37/1209
 2018/0271326 A1 * 9/2018 Buford F23C 3/002

FOREIGN PATENT DOCUMENTS

CN 300758661 3/2008
 CN 301032868 10/2009

OTHER PUBLICATIONS

T-Fal Fryers Awarded in Canada, announced May 14, 2020 [online],
 retrieved Aug. 31, 2020, retrieved from internet, <https://www.groupeseb.com/en/news/t-fal-fryers-awarded-canada>.
 T-Fal Triple Basket Deep Fryer: Announced Feb. 26, 2013 [online],
 site visited [Mar. 16, 2017]. Available from Internet URL:https://www.amazon.com/product-reviews/B01GG03DW4/ref=cm_cr_arpd_paging_btm.

* cited by examiner

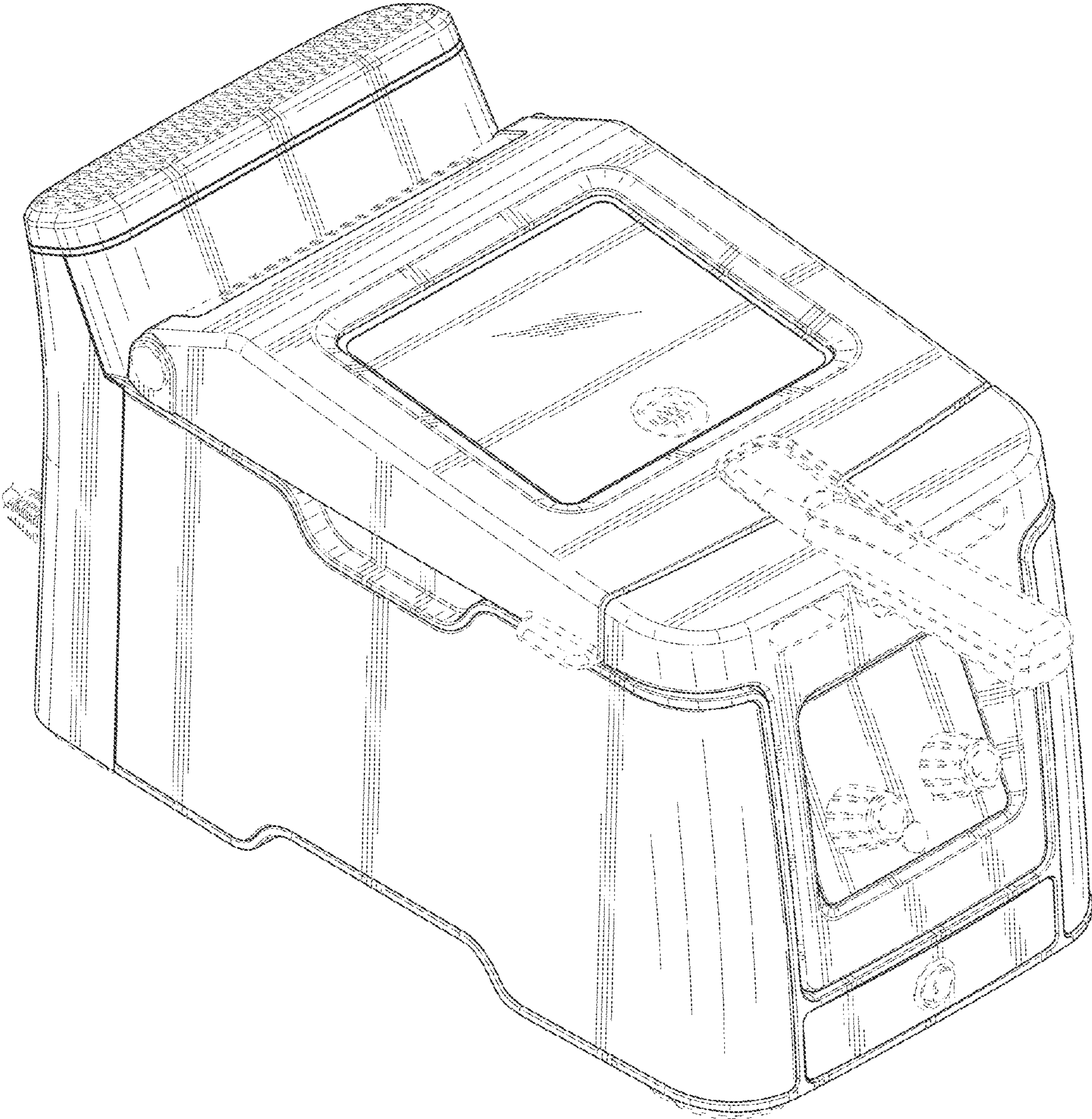


FIG. 1

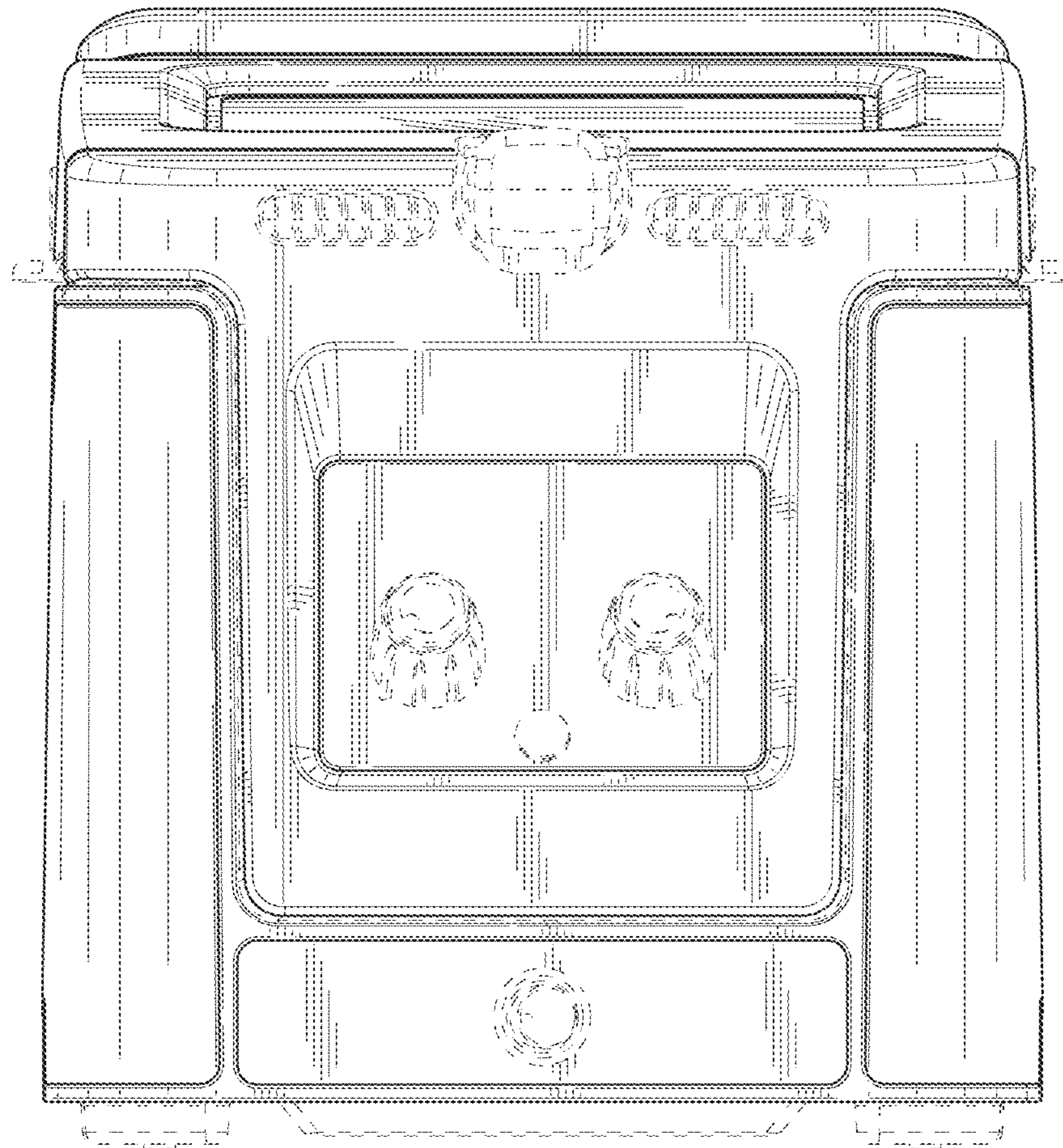


FIG. 2

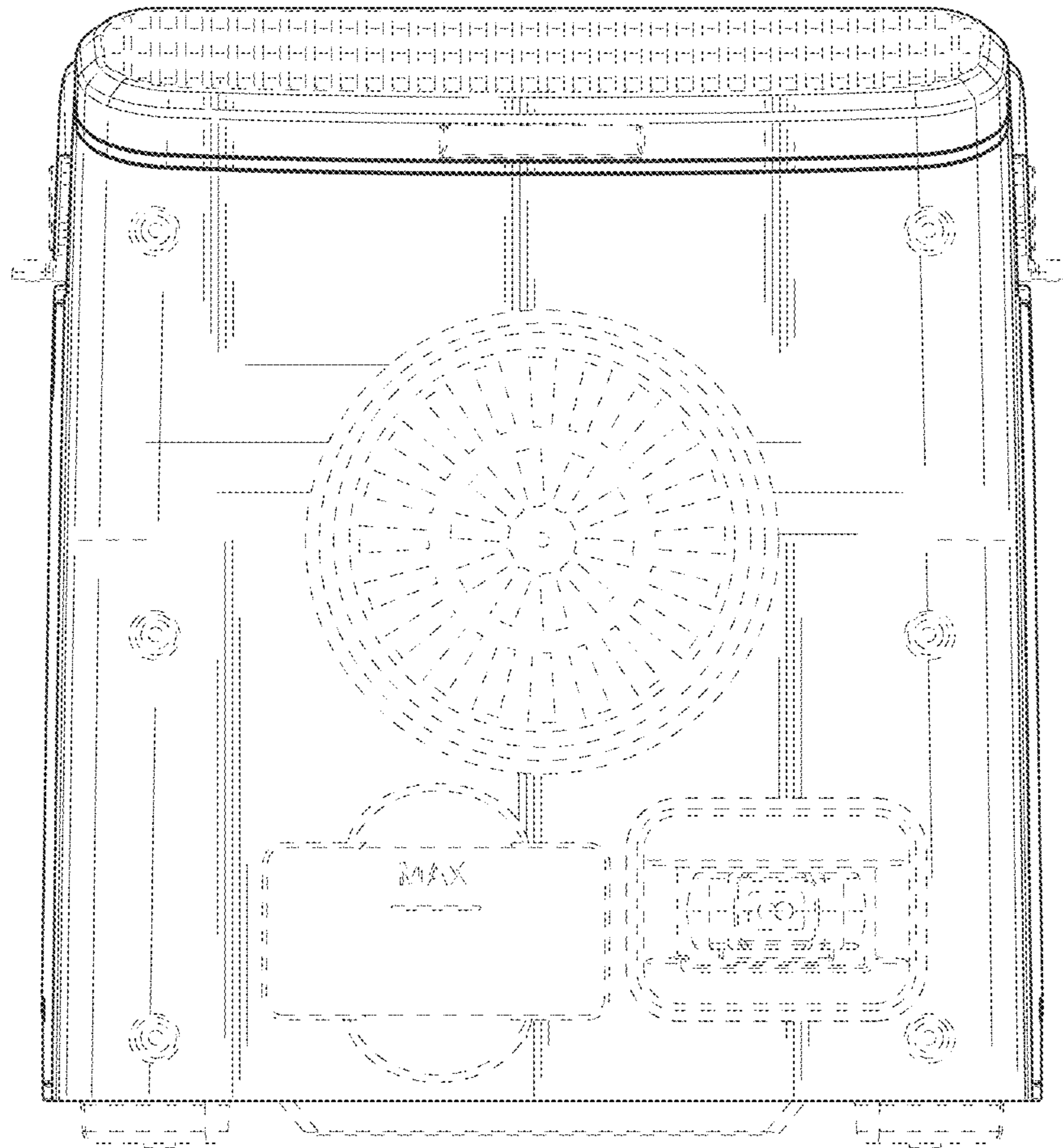


FIG. 3

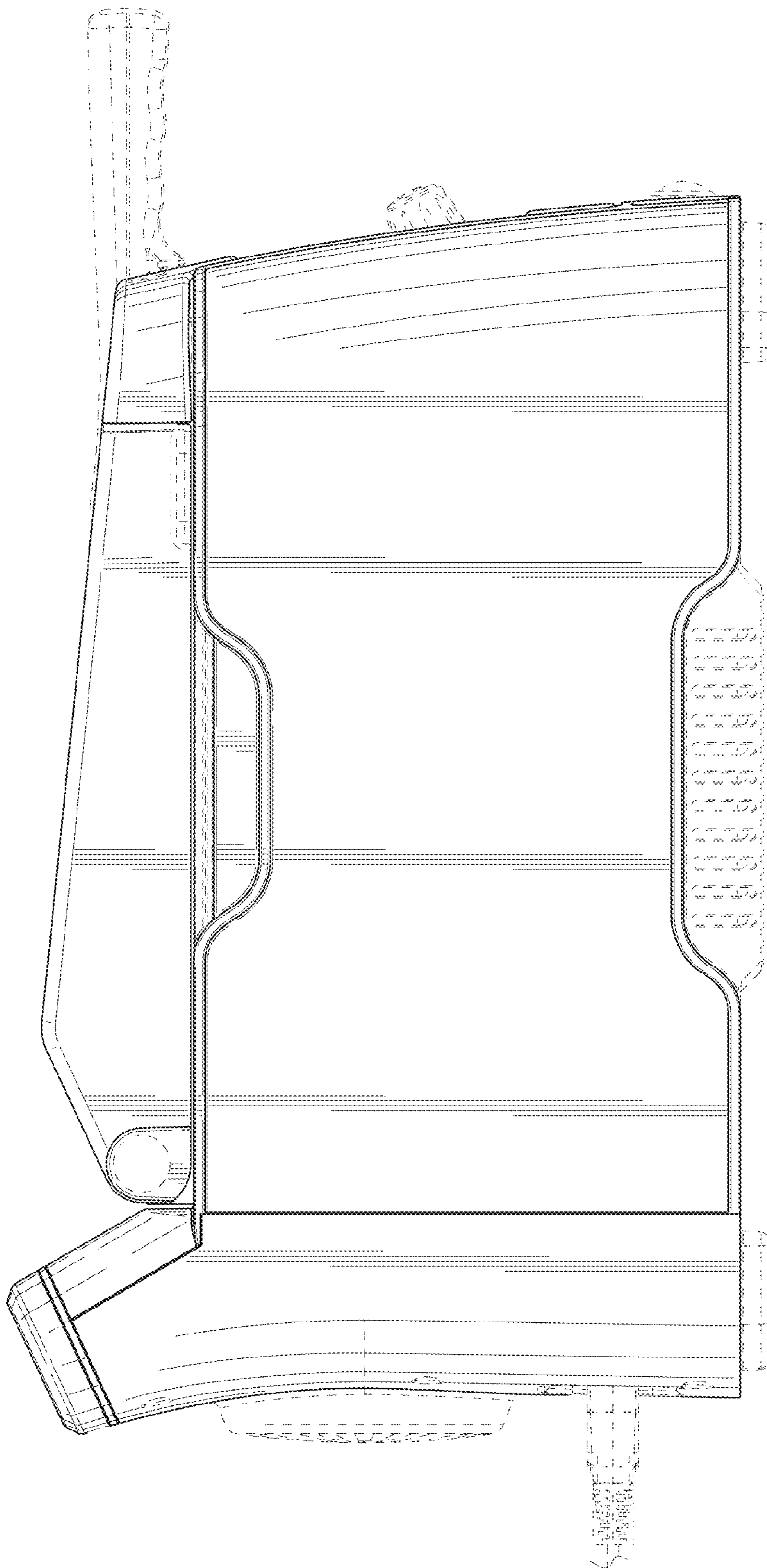


FIG. 4

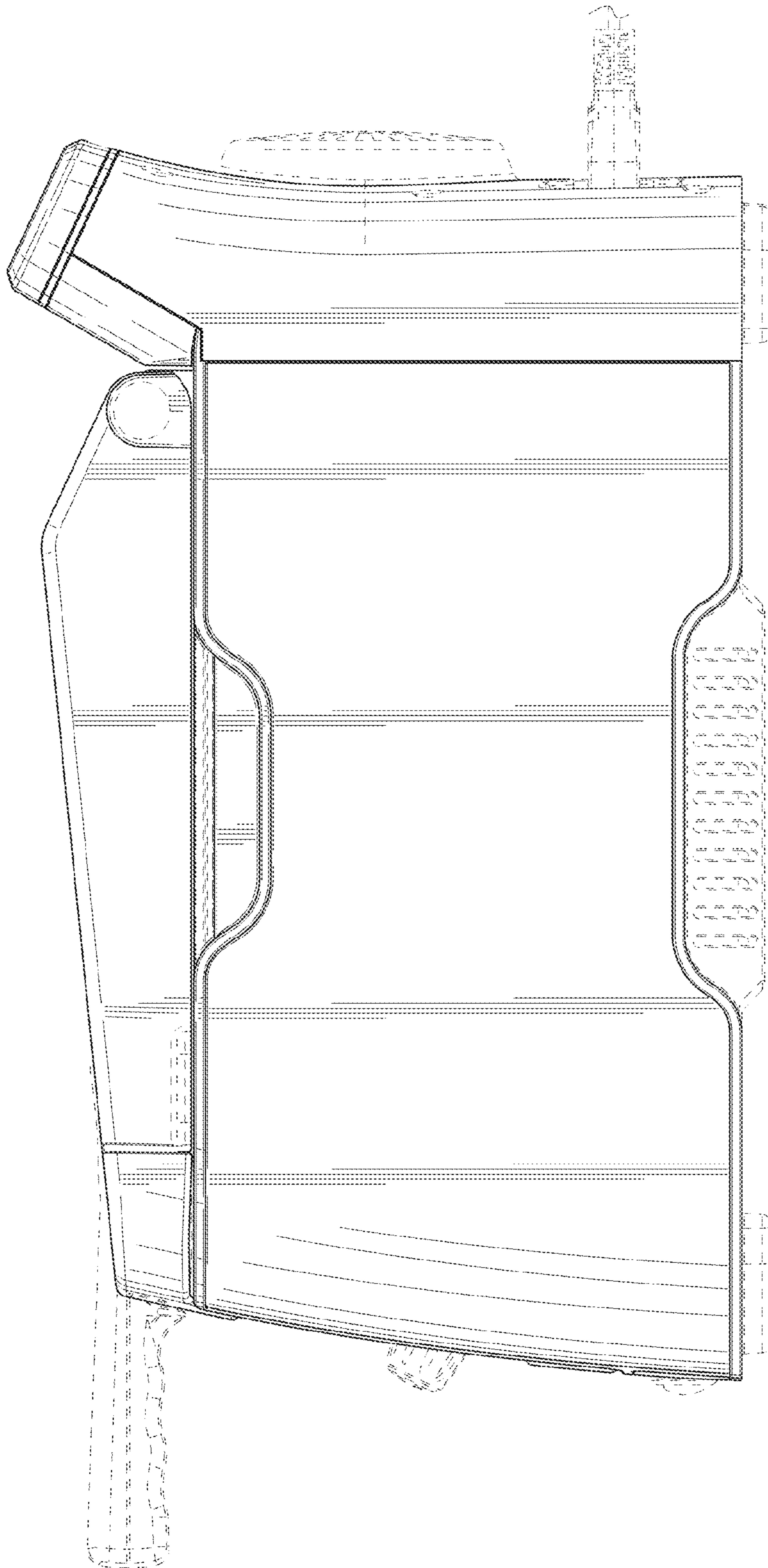


FIG. 5

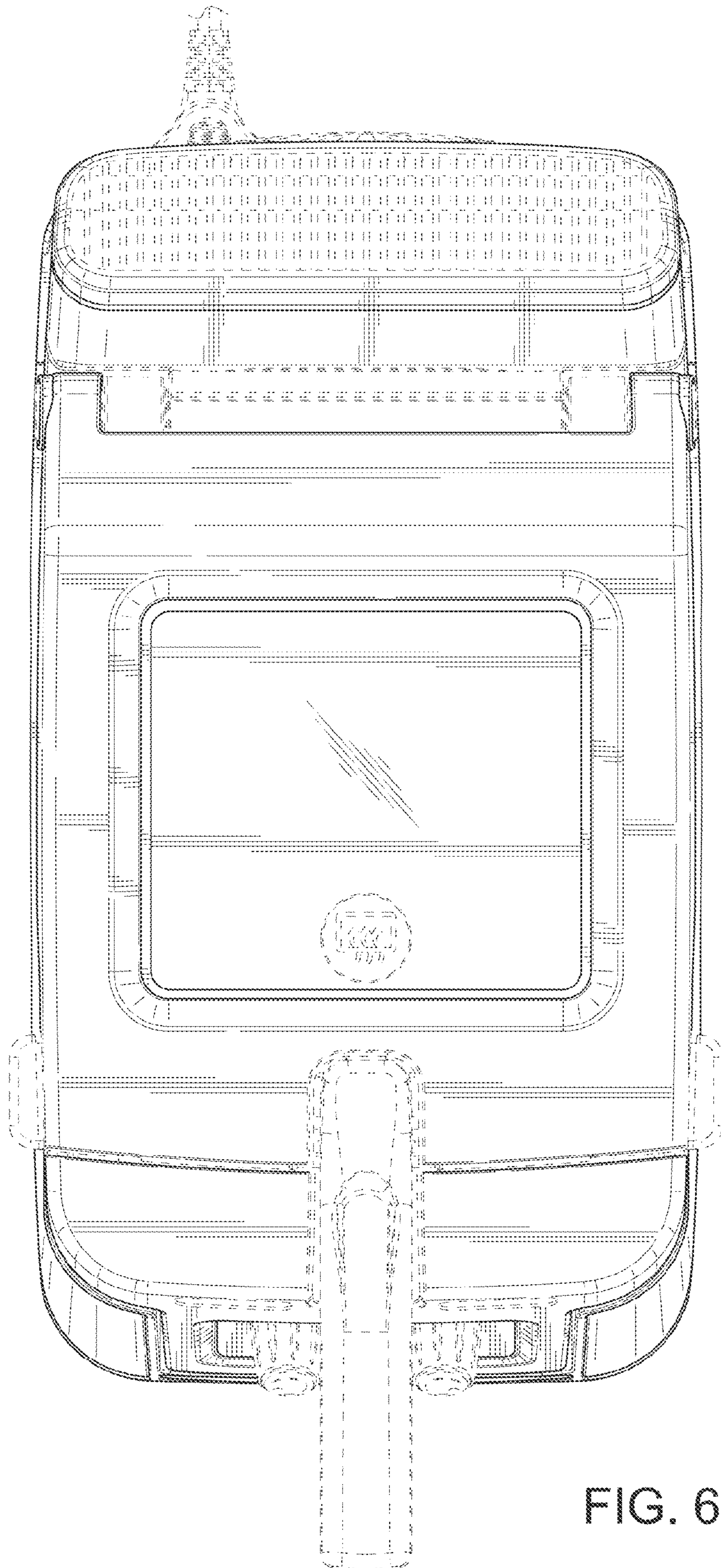


FIG. 6

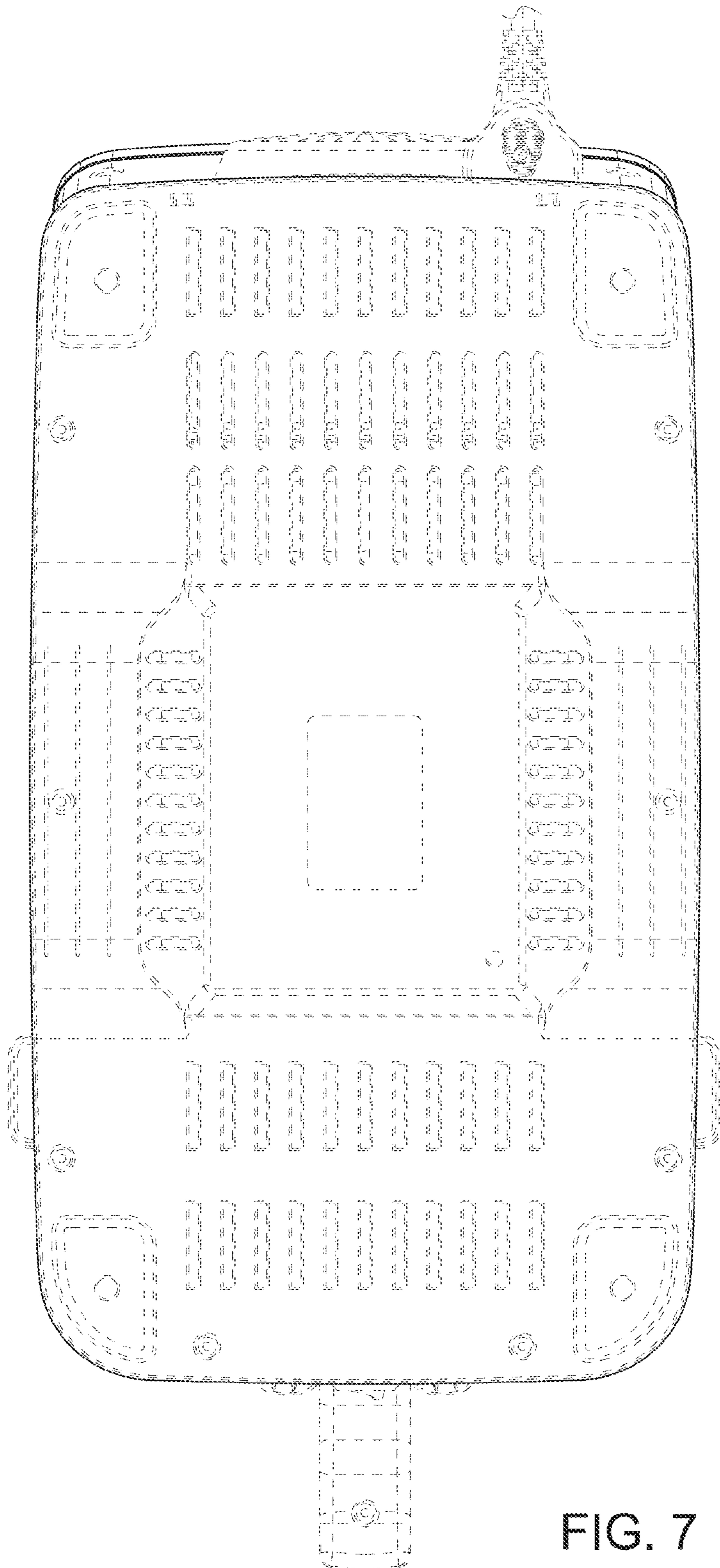


FIG. 7