



US00D920730S

(12) **United States Design Patent**  
**Wessels**

(10) **Patent No.:** **US D920,730 S**  
(45) **Date of Patent:** **\*\* Jun. 1, 2021**

- (54) **ELECTRIC GRILL**
- (71) Applicant: **TEFAL**, Rumilly (FR)
- (72) Inventor: **Nils Wessels**, Caluire-et-Cuire (FR)
- (73) Assignee: **TEFAL**, Rumilly (FR)
- (\*\*) Term: **15 Years**
- (21) Appl. No.: **29/699,618**
- (22) Filed: **Jul. 26, 2019**
- (30) **Foreign Application Priority Data**  
Feb. 1, 2019 (EM) ..... 006144069-0001
- (51) **LOC (13) Cl.** ..... **07-02**
- (52) **U.S. Cl.**  
USPC ..... **D7/352**
- (58) **Field of Classification Search**  
USPC ..... D7/323, 328-330, 337, 347, 352-364,  
D7/367, 402, 409-411  
CPC . A21B 5/023; A47J 27/60; A47J 27/62; A47J  
37/04; A47J 37/06; A47J 37/067; A47J  
37/0605; A47J 37/0611; A47J 37/0623;  
A47J 37/0629; A47J 37/0676; A47J  
2037/06; A47J 2037/0611; B01D  
46/0036; F24C 15/10; F24C 15/102;  
H05B 6/02; H05B 6/062  
See application file for complete search history.

D588,858 S	3/2009	Tetreault et al.	
D591,550 S	5/2009	Lam	
7,717,028 B2 *	5/2010	Serra .....	A47J 37/0611 99/339
D622,538 S	8/2010	Hoare et al.	
D632,126 S *	2/2011	Tetreault .....	D7/352
D632,127 S	2/2011	Whitcombe	
D634,969 S	3/2011	De'Longhi	
7,963,215 B2	6/2011	Ho et al.	
D644,477 S	9/2011	Burton et al.	
8,156,860 B2	4/2012	Liu et al.	
D670,530 S	11/2012	Huber et al.	
D671,791 S	12/2012	Cesaroni et al.	
D679,129 S	4/2013	Cesaroni et al.	
D694,570 S	12/2013	Day et al.	
D697,360 S	1/2014	Josancy	
D714,092 S	9/2014	Verbrugge	
D715,085 S	10/2014	Piret	
D715,086 S	10/2014	Piret	
D731,228 S	6/2015	Garman	
D760,532 S	7/2016	Koszylko	
9,392,899 B2	7/2016	Fung et al.	

(Continued)

Primary Examiner — Ricky Pham  
(74) Attorney, Agent, or Firm — Loeb & Loeb LLP

(57) **CLAIM**

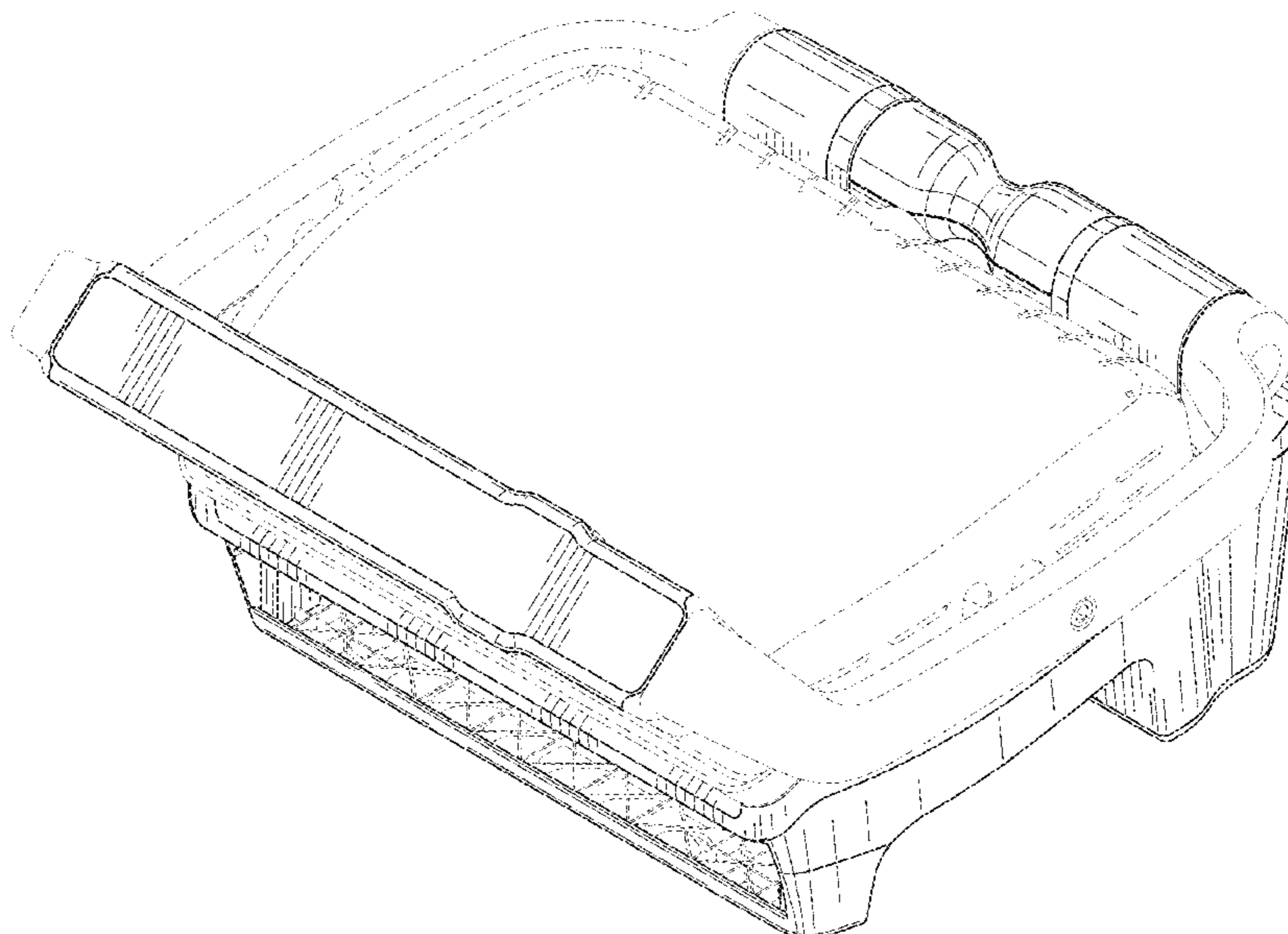
The ornamental design for an electric grill, as shown and described.

**DESCRIPTION**

FIG. 1 is a perspective view of an electric grill showing my new design;  
FIG. 2 is a front elevational view thereof;  
FIG. 3 is a back elevational view thereof;  
FIG. 4 is a right side elevational view thereof;  
FIG. 5 is a left side elevational view thereof;  
FIG. 6 is a top view thereof; and,  
FIG. 7 is a bottom view thereof.  
The broken lines in the drawings depict portions of the electric grill that form no part of the claimed design.

**1 Claim, 7 Drawing Sheets**

- (56) **References Cited**  
U.S. PATENT DOCUMENTS  
D509,703 S 9/2005 Barker  
D527,941 S 9/2006 Serra  
D528,350 S 9/2006 McHutchison  
D546,619 S 7/2007 McHutchison  
D568,090 S 5/2008 Lam  
D581,202 S \* 11/2008 Tetreault ..... D7/352



(56)

**References Cited**

U.S. PATENT DOCUMENTS

9,402,506	B2	8/2016	Fung et al.	
D766,645	S	9/2016	Koszylko	
9,433,319	B2	9/2016	Fung et al.	
9,474,412	B2 *	10/2016	Fung .....	B01D 46/0036
9,636,618	B2	5/2017	Fung et al.	
D801,102	S	10/2017	Kosylko	
D802,984	S	11/2017	Dutruel	
D811,155	S	2/2018	De'Longhi et al.	
D817,695	S	5/2018	Liu et al.	
D824,199	S *	7/2018	Liu .....	D7/352
D825,976	S *	8/2018	Liang .....	D7/352
D828,074	S *	9/2018	Liang .....	D7/352
D830,760	S	10/2018	Wessels	
D831,406	S	10/2018	Corlay	
D853,172	S *	7/2019	De' Longhi .....	D7/352
D859,056	S *	9/2019	Hawkins .....	D7/352
D873,065	S *	1/2020	Sađirosmanođlu .....	D7/352
10,898,029	B2 *	1/2021	Fung .....	A47J 37/0611
2005/0139086	A1	6/2005	McHutchison	
2007/0017384	A1	1/2007	Serra	
2010/0319550	A1	12/2010	Wu	
2015/0230659	A1 *	8/2015	Hoare .....	A47J 37/0611
				99/375
2017/0181573	A1 *	6/2017	Altenritter .....	A47J 37/0611
2017/0367531	A1	12/2017	Yan	

\* cited by examiner

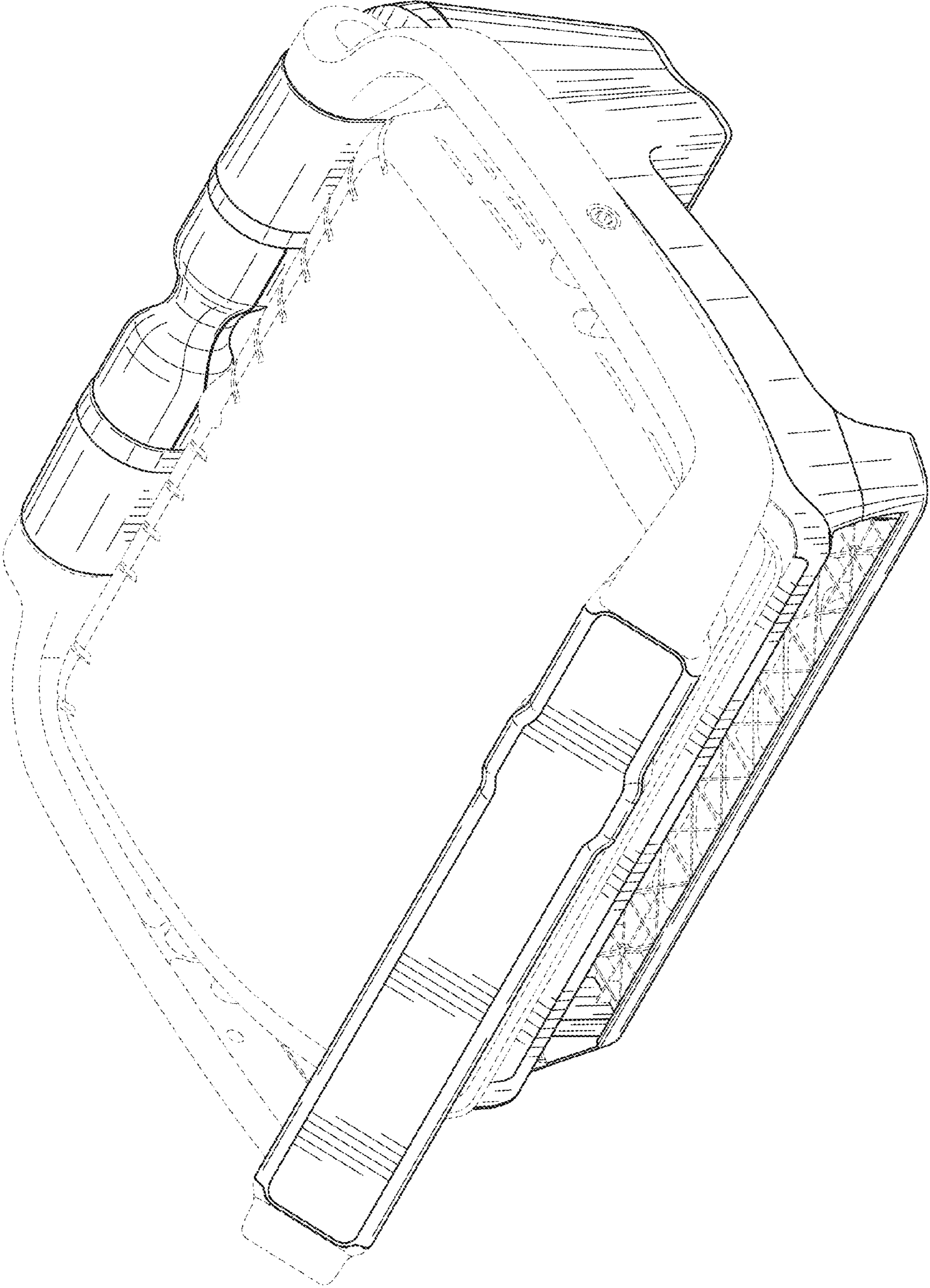


FIG. 1



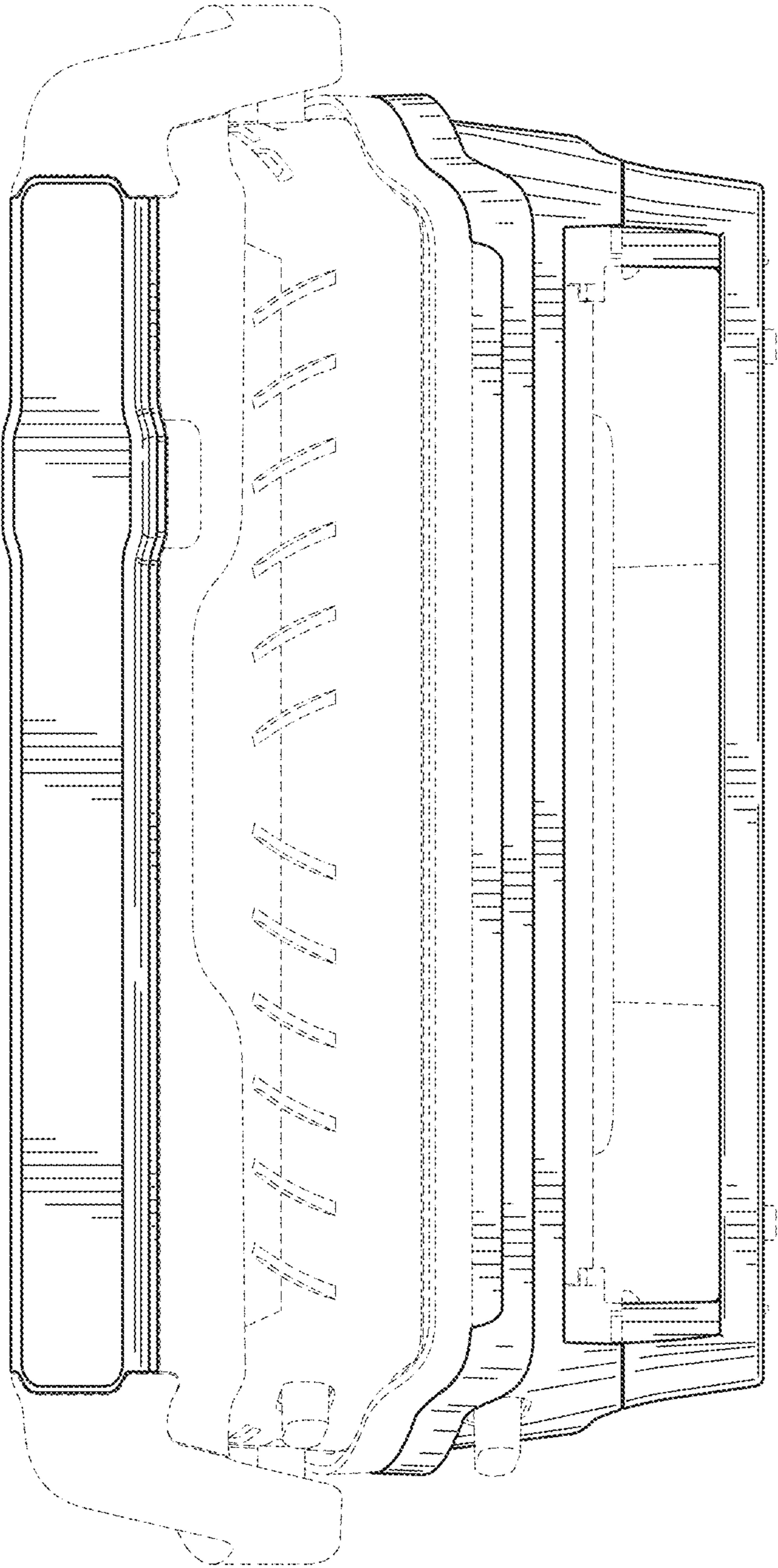


FIG. 2

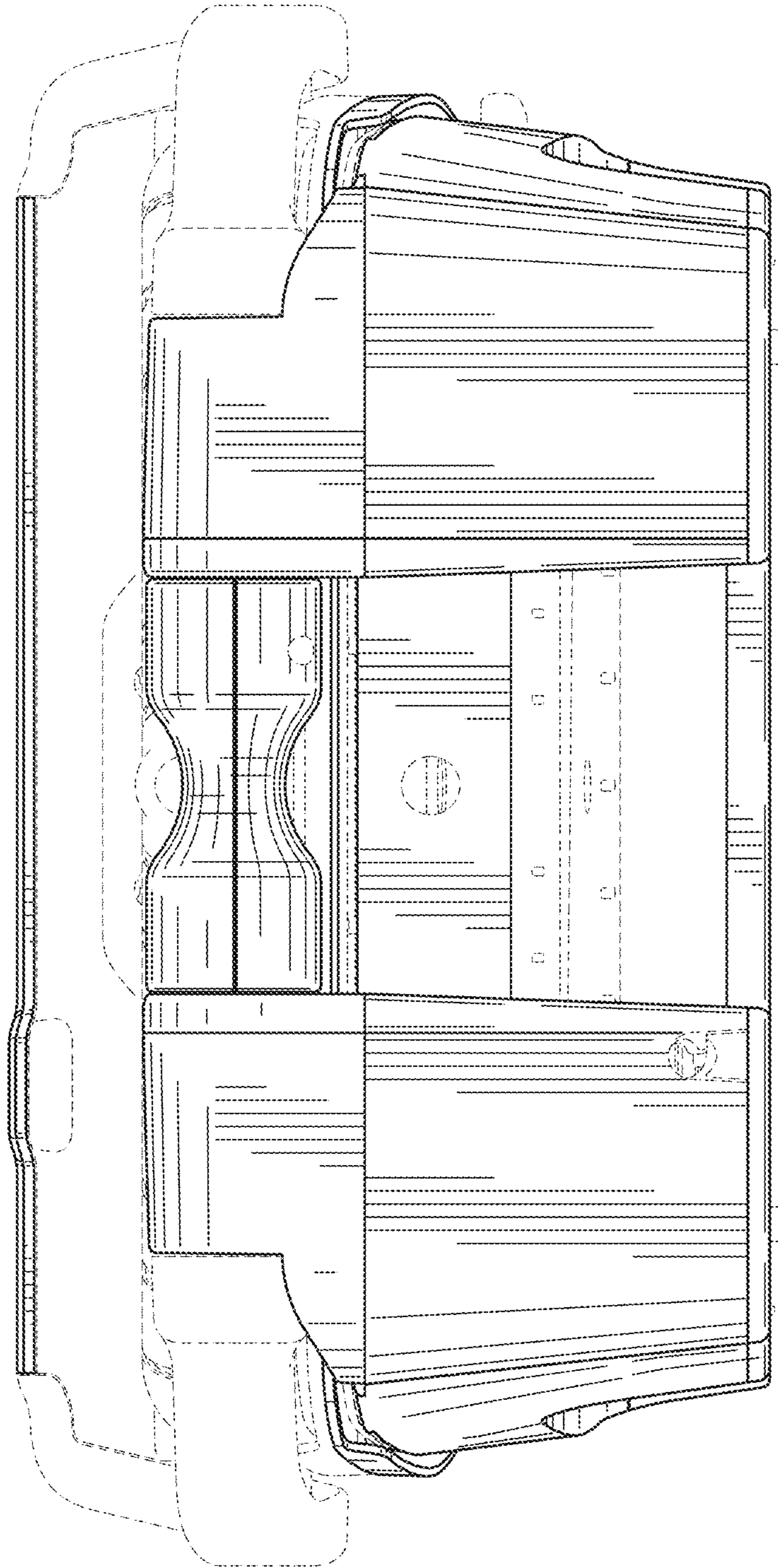


FIG. 3

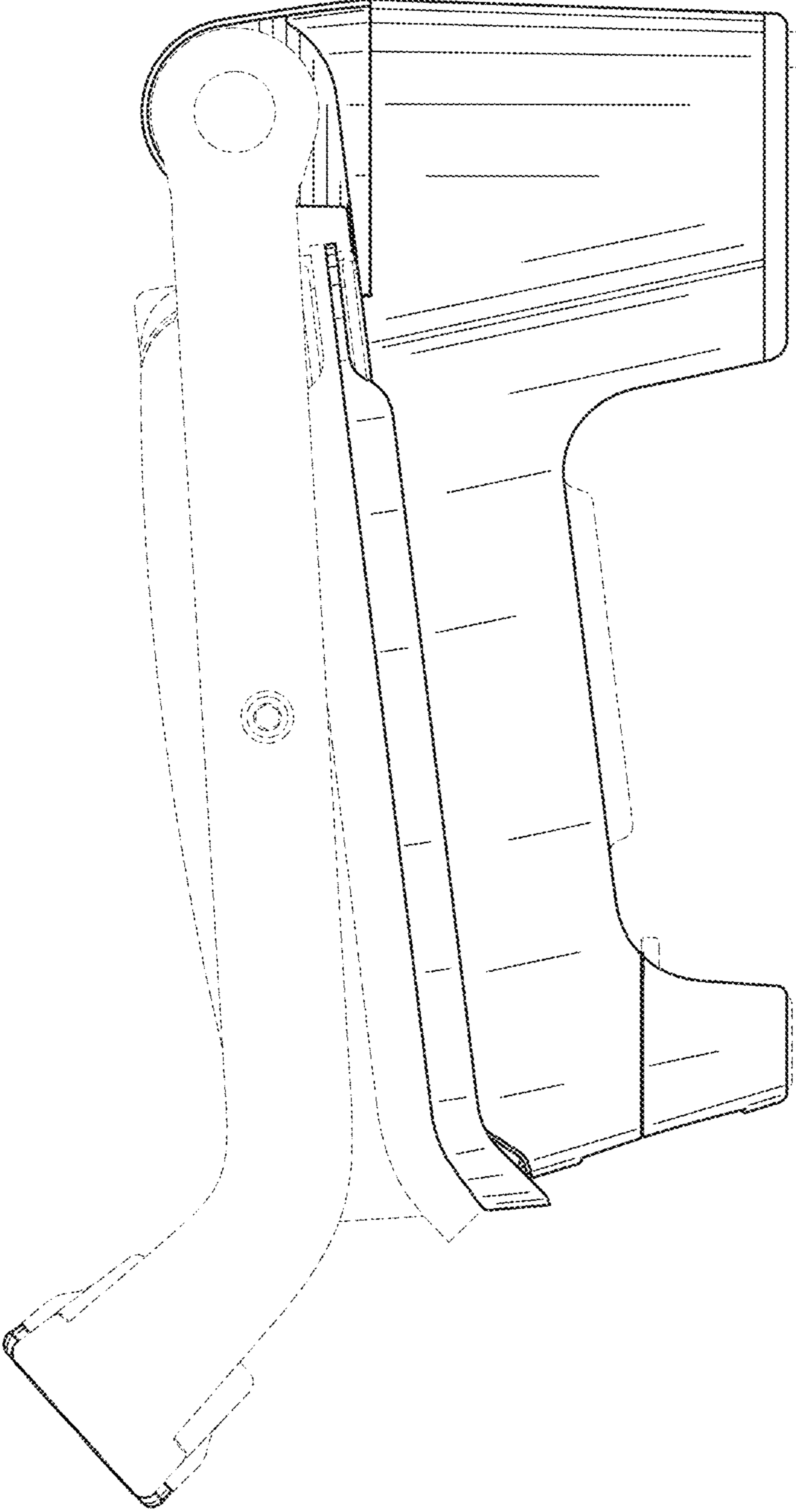


FIG. 4

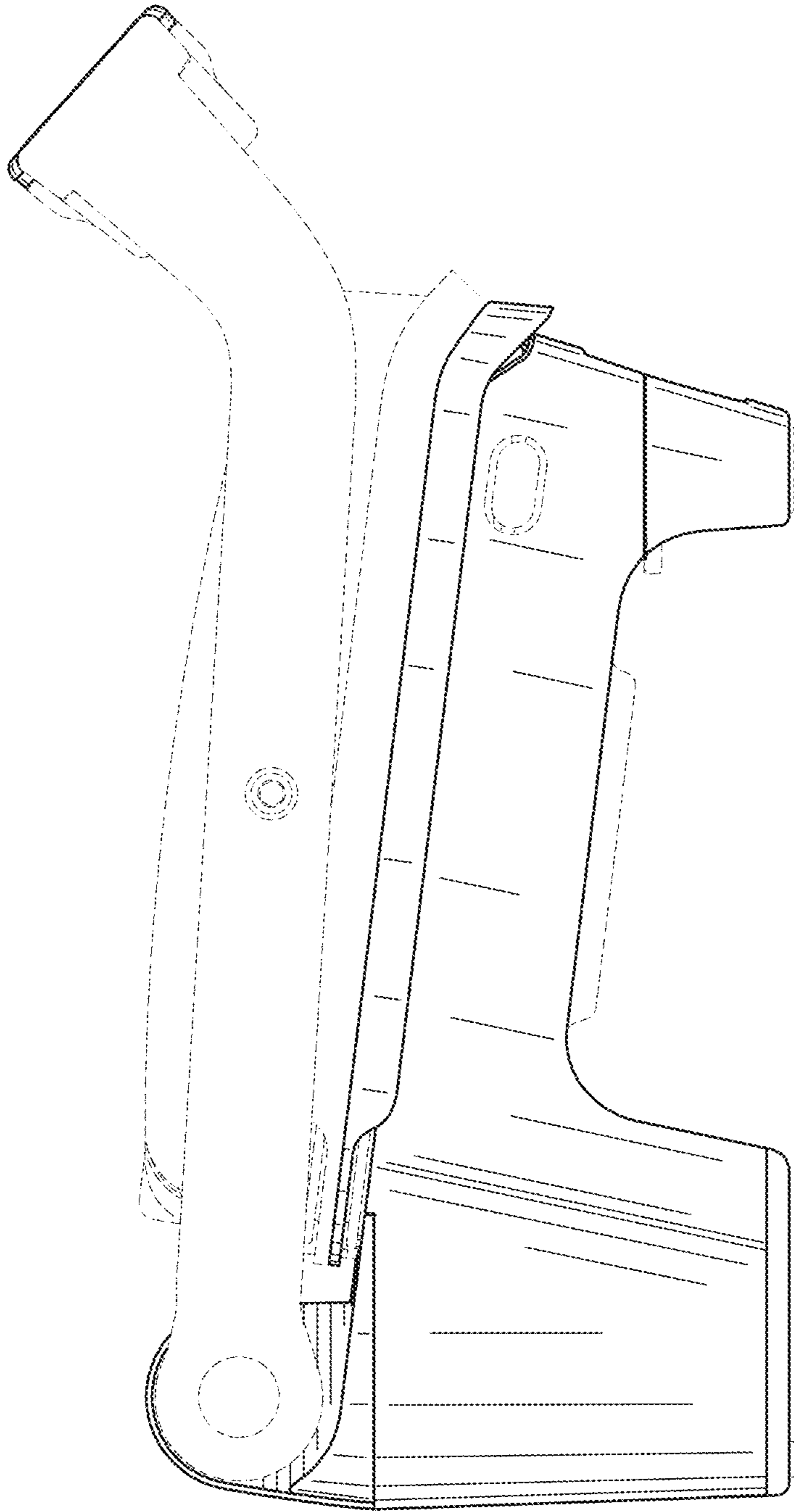


FIG. 5



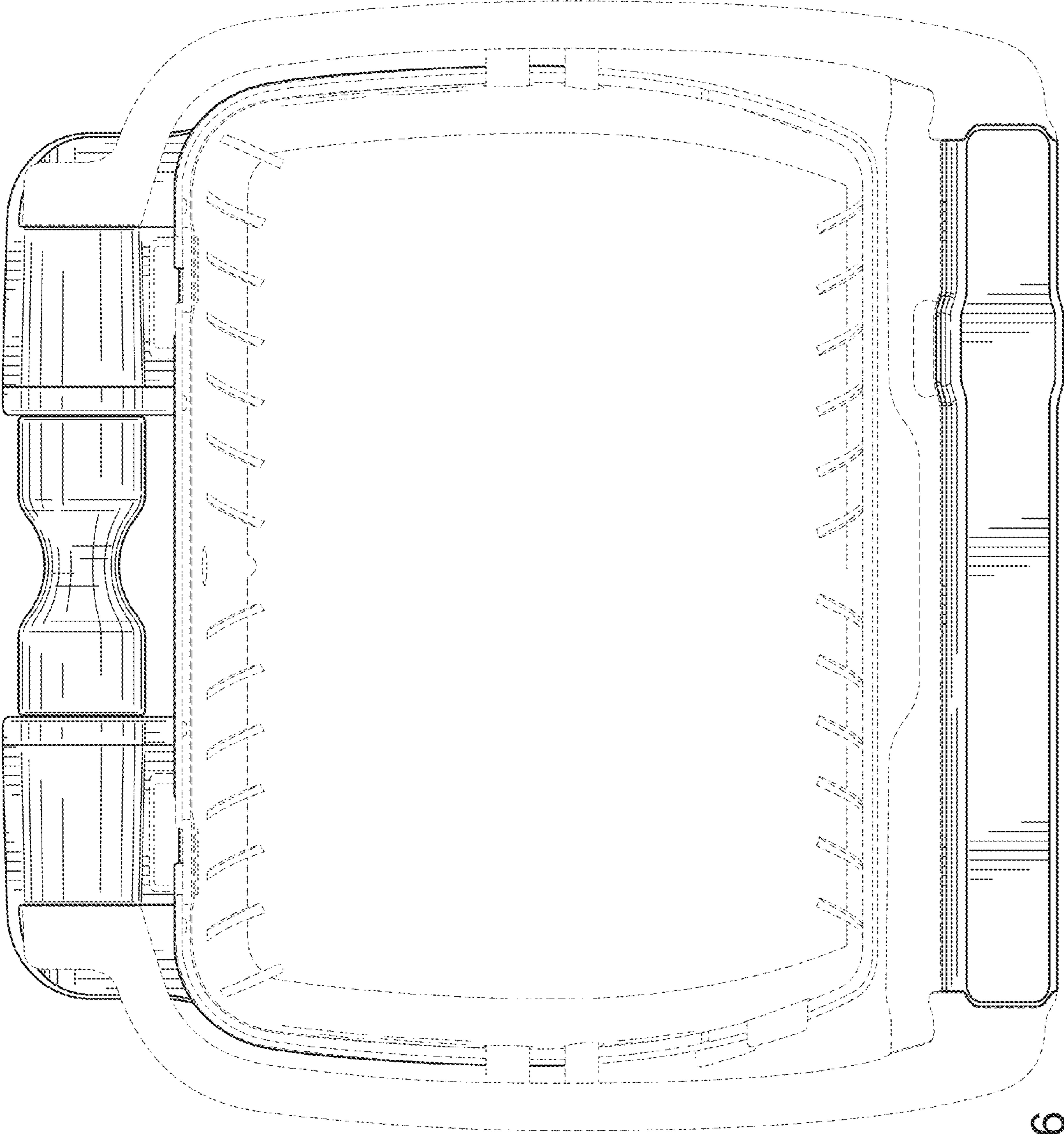


FIG. 6



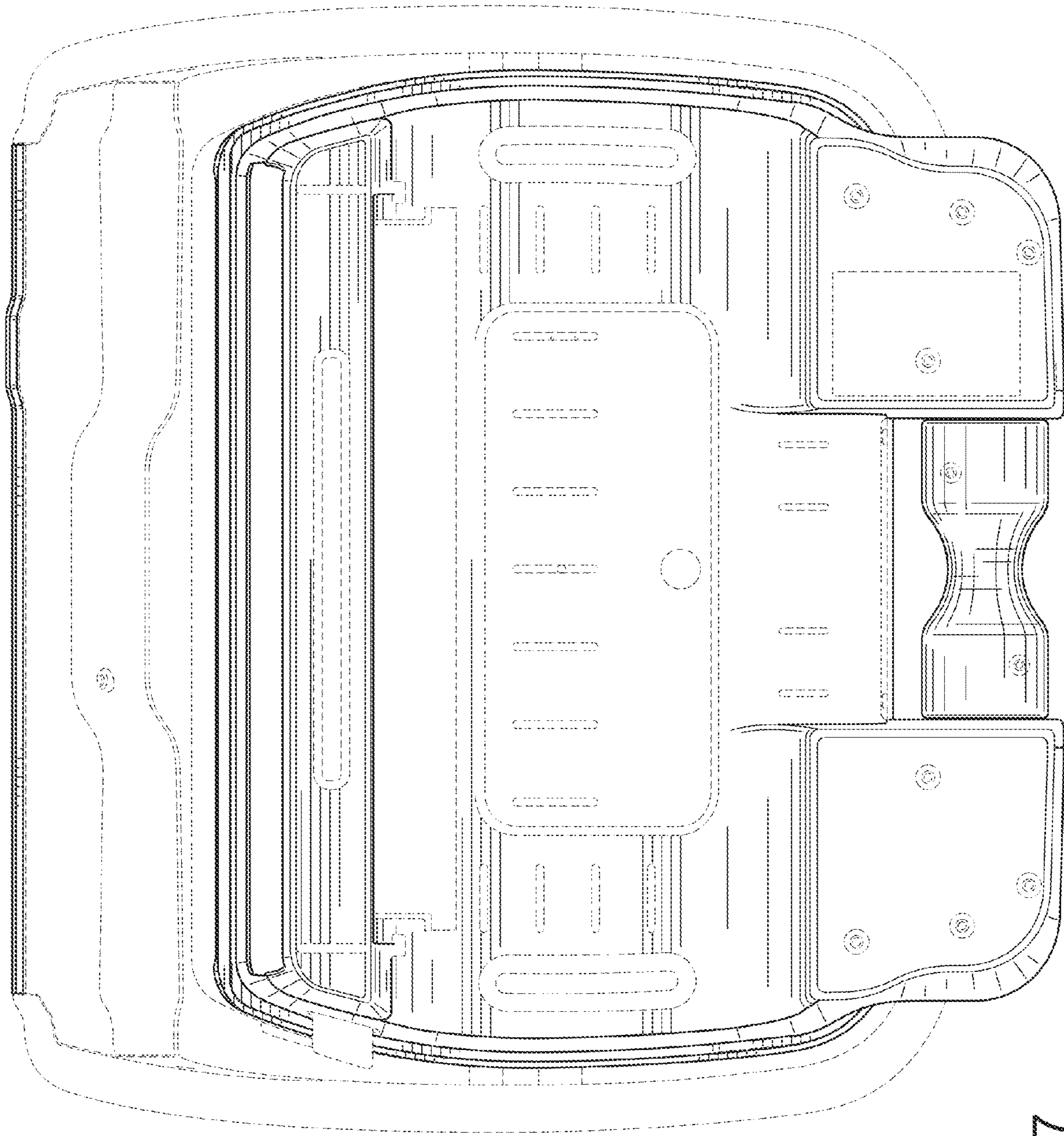


FIG. 7