



US00D920727S

(12) **United States Design Patent**  
**Koning**

(10) **Patent No.:** **US D920,727 S**

(45) **Date of Patent:** **\*\* Jun. 1, 2021**

(54) **TABLE FOOT**

(71) Applicant: **Gibraltar Inc.**, Zeeland, MI (US)

(72) Inventor: **Paul Koning**, Holland, MI (US)

(73) Assignee: **Gibraltar Inc.**, Zeeland, MI (US)

(\*\*) Term: **15 Years**

(21) Appl. No.: **29/703,617**

(22) Filed: **Aug. 28, 2019**

(51) **LOC (13) Cl.** ..... **06-06**

(52) **U.S. Cl.**  
USPC ..... **D6/710**

(58) **Field of Classification Search**

USPC ..... D6/691, 691.1, 695.3, 708.17, 708.23,  
D6/709, 710

CPC ..... A47B 13/00; A47B 2013/025; A47B  
2013/026; A47B 2200/0021; A47B  
2200/0029; A47B 91/00; A47C 7/00;  
A47C 7/002; A47F 5/04

See application file for complete search history.

(56) **References Cited**

**U.S. PATENT DOCUMENTS**

2,918,243	A	*	12/1959	Johnson	.....	A47F 5/04 248/188.7
4,789,122	A	*	12/1988	Gutgsell	.....	A47B 13/023 108/150
D322,373	S	*	12/1991	Gutgsell	.....	D6/708.23
D325,139	S	*	4/1992	Jeghers	.....	D6/695.3
D330,302	S	*	10/1992	Heidmann	.....	D6/709
D355,317	S	*	2/1995	Gutgsell	.....	D6/709
D356,913	S	*	4/1995	Walsh	.....	D6/708.23
D555,945	S	*	11/2007	Pearsons	.....	D6/709
D555,946	S	*	11/2007	DeJule	.....	D6/708.23
D565,869	S	*	4/2008	Williams	.....	D6/710
D569,663	S	*	5/2008	Pearsons	.....	D6/708.23
D661,520	S	*	6/2012	Henriott	.....	D6/709
D661,521	S	*	6/2012	Henriott	.....	D6/708.23

D691,405	S	*	10/2013	Pearsons	.....	D6/708.23
D691,406	S	*	10/2013	Pearsons	.....	D6/709
D723,849	S	*	3/2015	Mueller	.....	D6/709
D754,996	S	*	5/2016	Pedersen	.....	D6/708.23
D784,057	S	*	4/2017	Levy	.....	D6/691.1

(Continued)

**OTHER PUBLICATIONS**

“KFI Seating Round Bar Height Pedestal Table.” Found online Aug. 27, 2020 at [www.cnagrei.com](http://www.cnagrei.com). Product reviewed Feb. 28, 2020. Retrieved from URL: [https://www.cnagrei.com/index.php?main\\_page=product\\_info&products\\_id=588683#reviews\\_mod](https://www.cnagrei.com/index.php?main_page=product_info&products_id=588683#reviews_mod) (Year: 2020).\*

*Primary Examiner* — Mary Ann Calabrese

*Assistant Examiner* — Katelin G Kloberg

(74) *Attorney, Agent, or Firm* — McGarry Bair PC

(57) **CLAIM**

The ornamental design for a table foot, as shown and described.

**DESCRIPTION**

FIG. 1 is a top perspective view of a table foot, showing my new design within an environment of use;

FIG. 2 is a front view thereof;

FIG. 3 is a rear view thereof;

FIG. 4 is a top view thereof;

FIG. 5 is a bottom view thereof;

FIG. 6 is a right side view thereof; and,

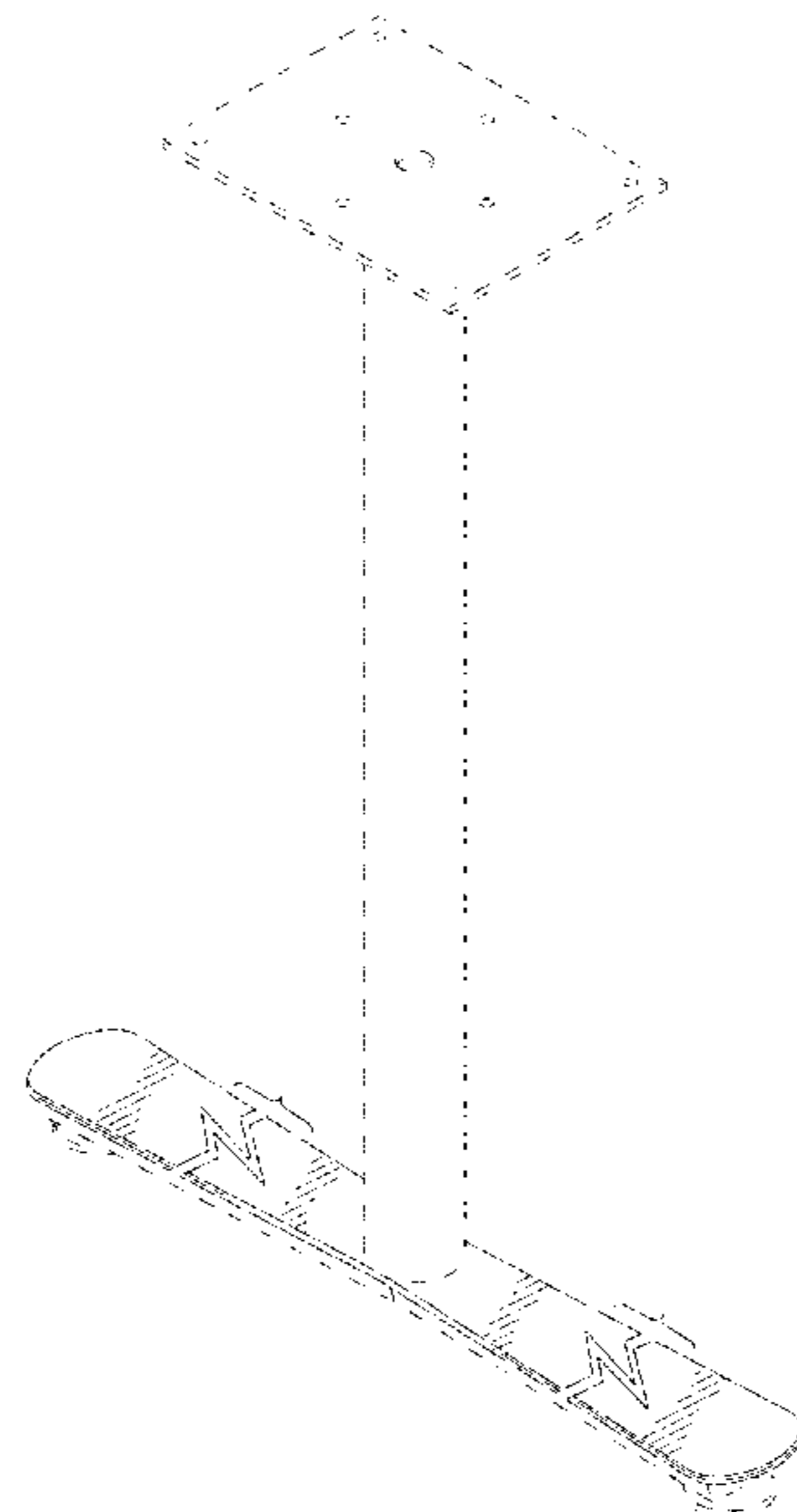
FIG. 7 is a left side view thereof.

The broken lines depicting a table leg represent environmental subject matter that forms no part of the claimed design. All other broken lines depict portions of the table foot that form no part of the claimed design.

The table foot is shown with a symbolic break in its length.

The appearance of any portion of the article between the break lines forms no part of the claimed design. The broken symbolic breaks form no part of the claimed design.

**1 Claim, 7 Drawing Sheets**



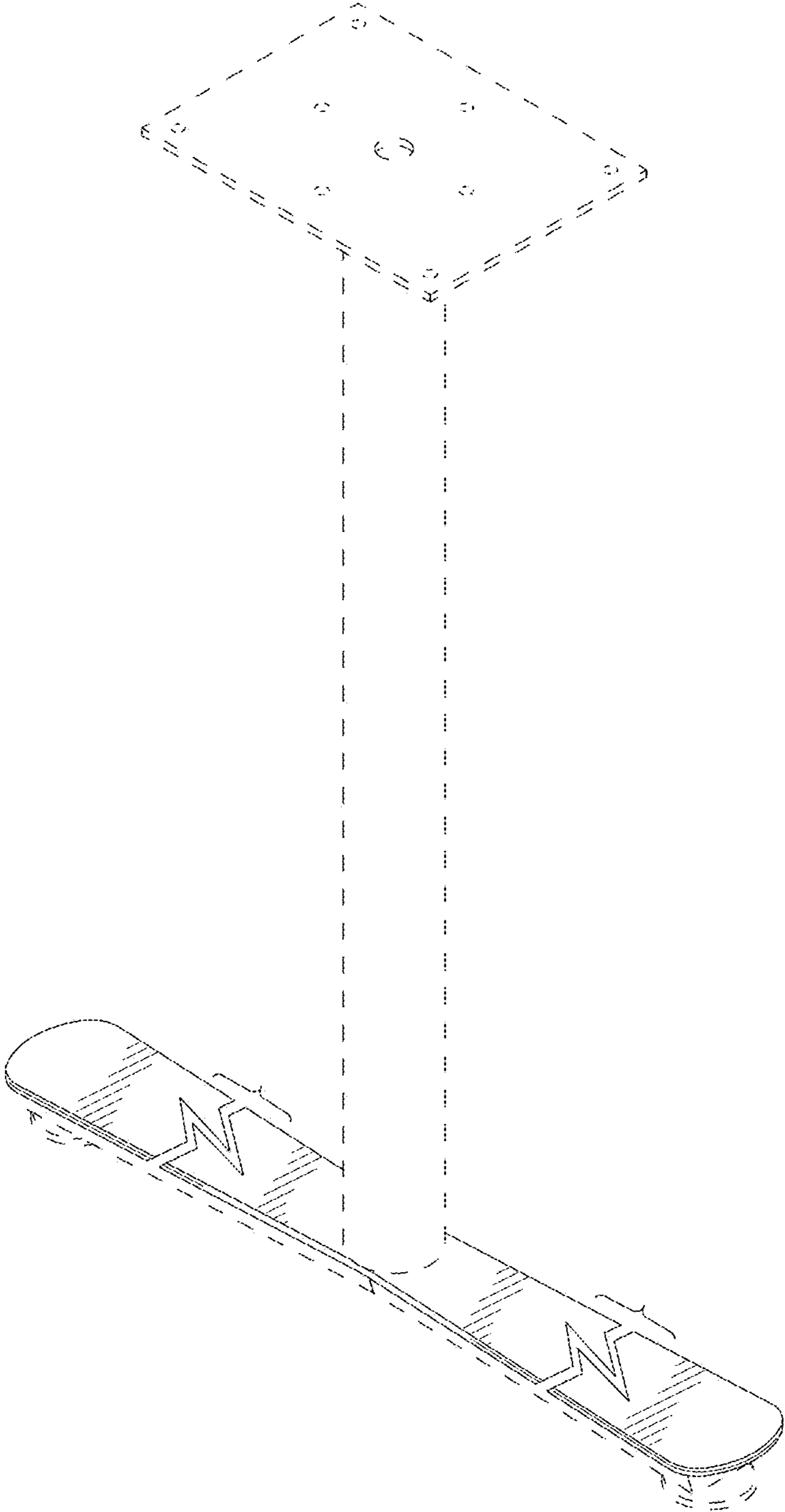
(56)

**References Cited**

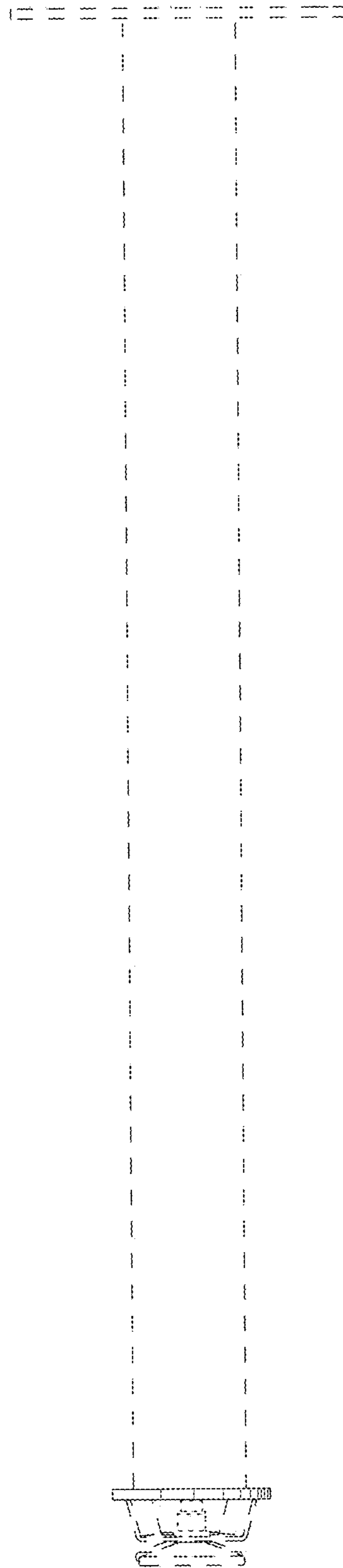
U.S. PATENT DOCUMENTS

D795,620 S \* 8/2017 Labrosse ..... D6/709  
D805,334 S \* 12/2017 Itou ..... D6/708.1

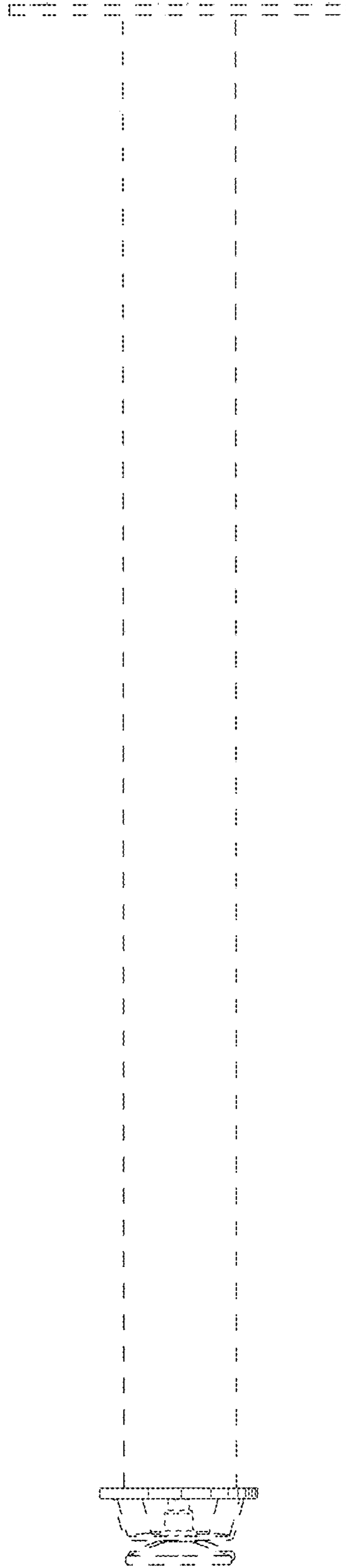
\* cited by examiner



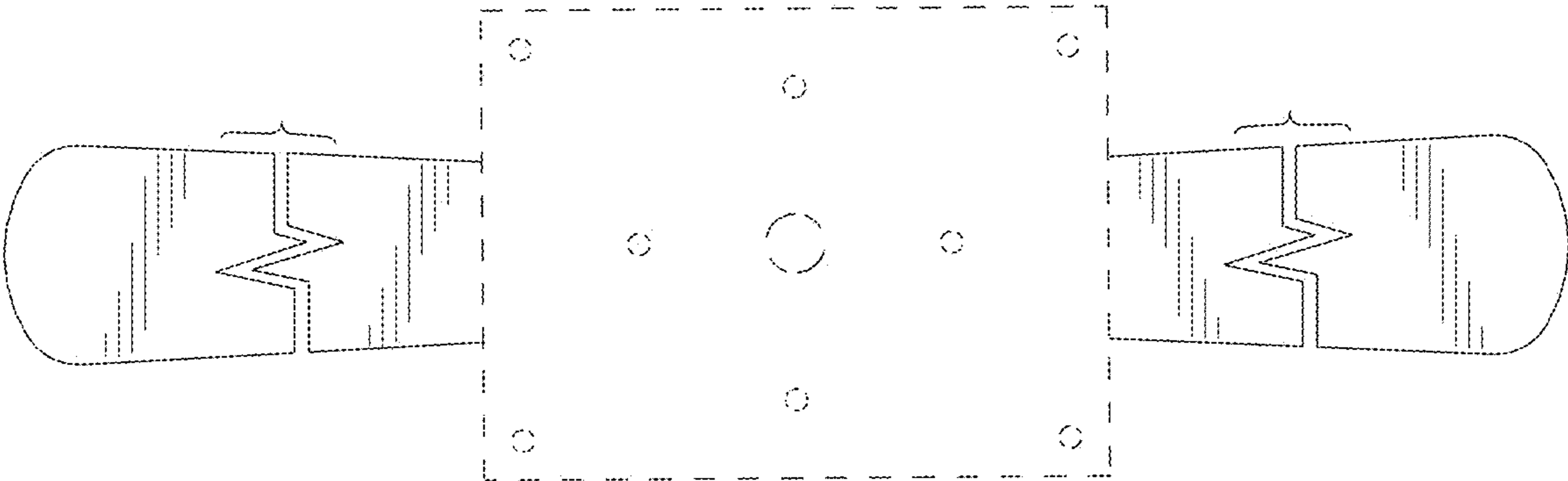
**FIG. 1**



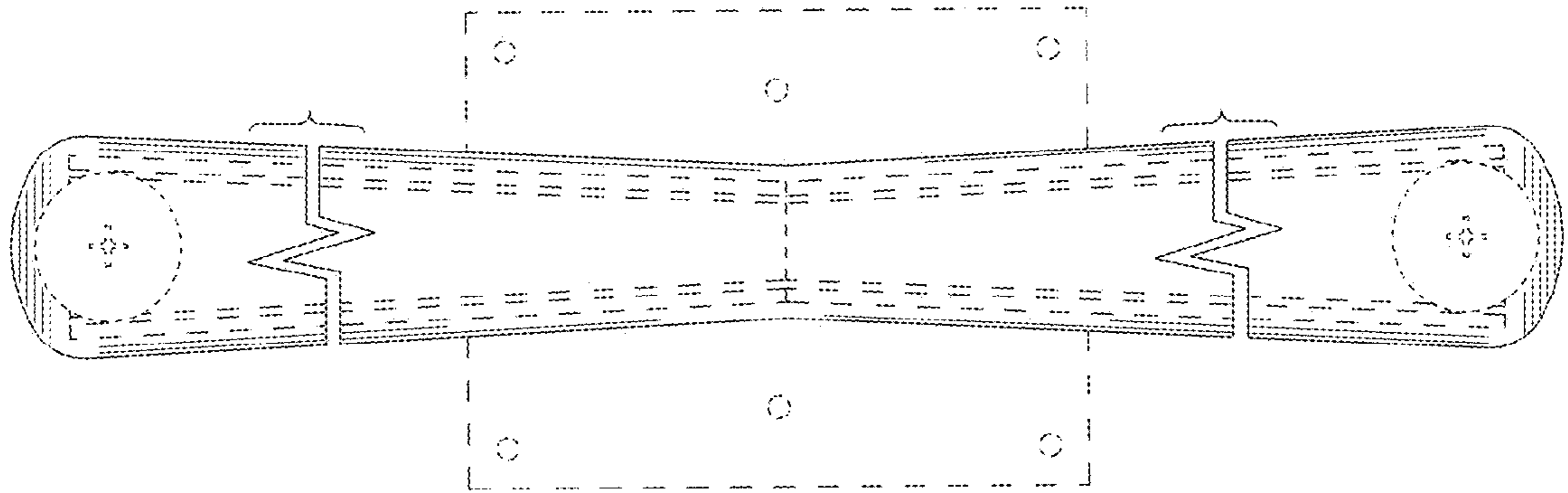
**FIG. 2**



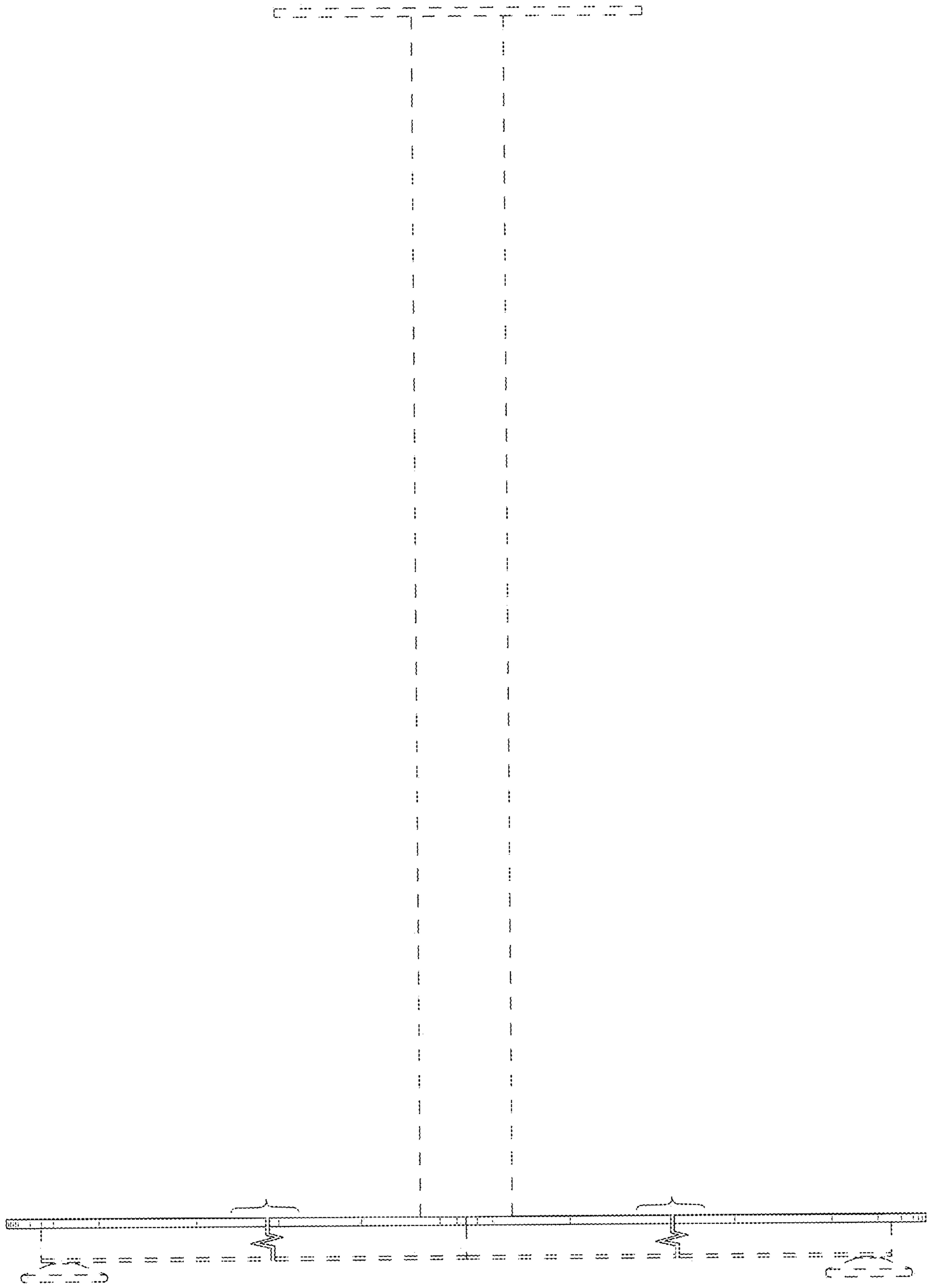
**FIG. 3**



**FIG. 4**



**FIG. 5**



**FIG. 6**



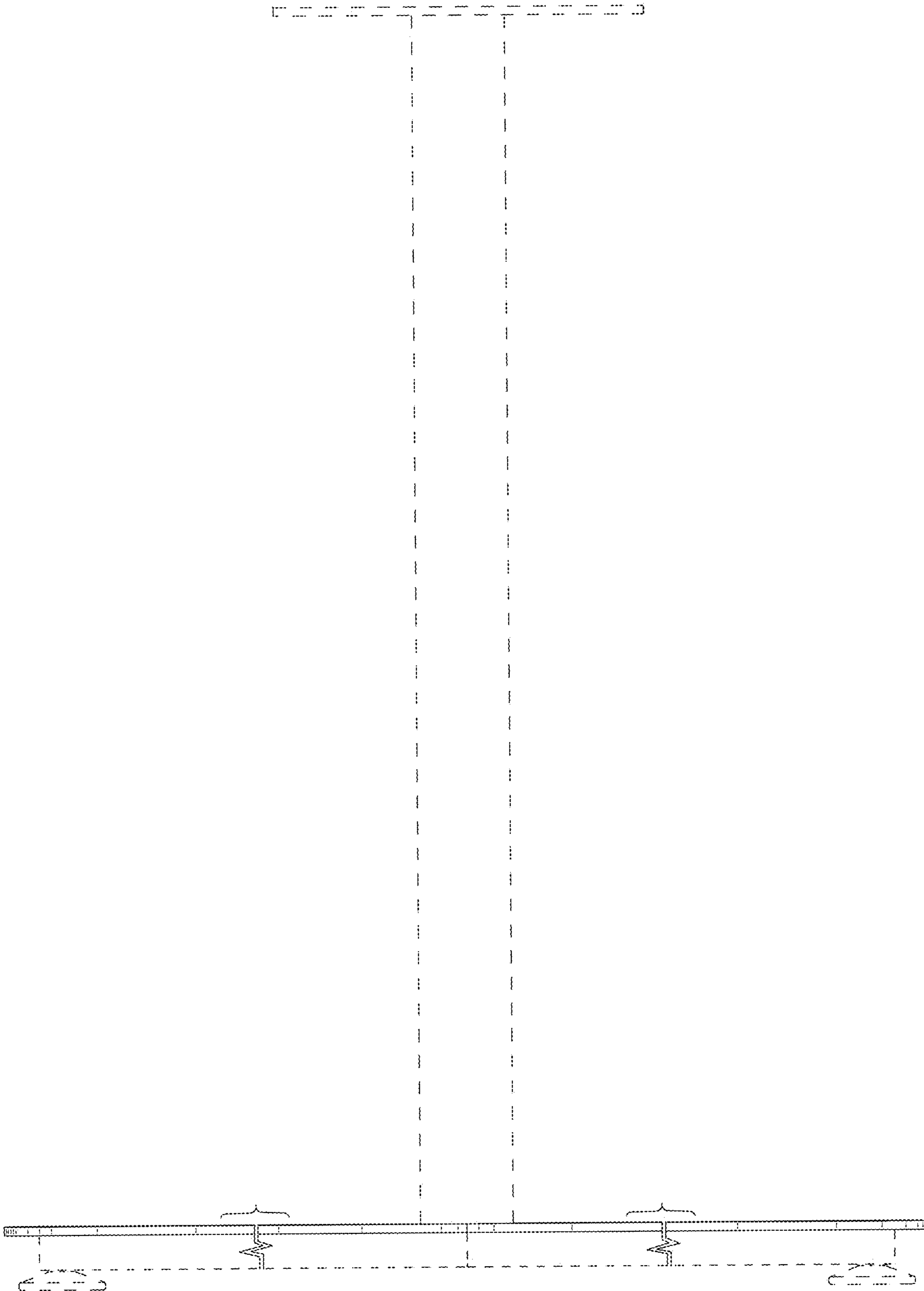


FIG. 7