



US00D920725S

(12) **United States Design Patent** (10) **Patent No.:** **US D920,725 S**
Li (45) **Date of Patent:** **** Jun. 1, 2021**

(54) **TABLE**
(71) Applicant: **39F USA INC**, Rancho Cucamonga, CA (US)
(72) Inventor: **Yuehai Li**, Rancho Cucamonga, CA (US)
(**) Term: **15 Years**
(21) Appl. No.: **29/697,399**
(22) Filed: **Jul. 8, 2019**
(51) **LOC (13) Cl.** **06-03**
(52) **U.S. Cl.**
USPC **D6/691**
(58) **Field of Classification Search**
USPC D6/349, 641, 642, 655, 685, 686, 691, D6/691.1-691.9
CPC A47B 7/00; A47B 13/00; A47B 13/02; A47B 13/04; A47B 13/06; A47B 13/08; A47B 13/10; A47B 13/12; A47B 21/00; A47B 2200/0001; A47B 2200/0011; A47B 2200/002
See application file for complete search history.

D304,133 S * 10/1989 Casselman D6/672
D393,381 S * 4/1998 Santoro D6/675.1
D807,671 S * 1/2018 Caillouet A47B 47/0008 D6/708

OTHER PUBLICATIONS

Cubic Steel Frame End Table—Amazon, Date first available May 9, 2019, retrieved from the internet on Jan. 7, 2021 https://www.amazon.com/Cubic-Steel-Frame-End-Table/dp/B07RLG67LX/ref=sr_1_53?c=ts&dchild=1&keywords=End+Tables&qid=1610026563&refinements=p_n_feature_twenty_browse-bin%3A3254114011&s=furniture&sr=1-53&t.*
Side Table—Mercer Cube—azbouncepro.com, retrieved from the internet on Jan. 7, 2021 <https://www.azbouncepro.com/inventory/furniture-lounge/side-table-mercercube/>.*

* cited by examiner

Primary Examiner — Mary Ann Calabrese
(74) *Attorney, Agent, or Firm* — Feng Qian

(57) **CLAIM**

The ornamental design for a table, as shown and described.

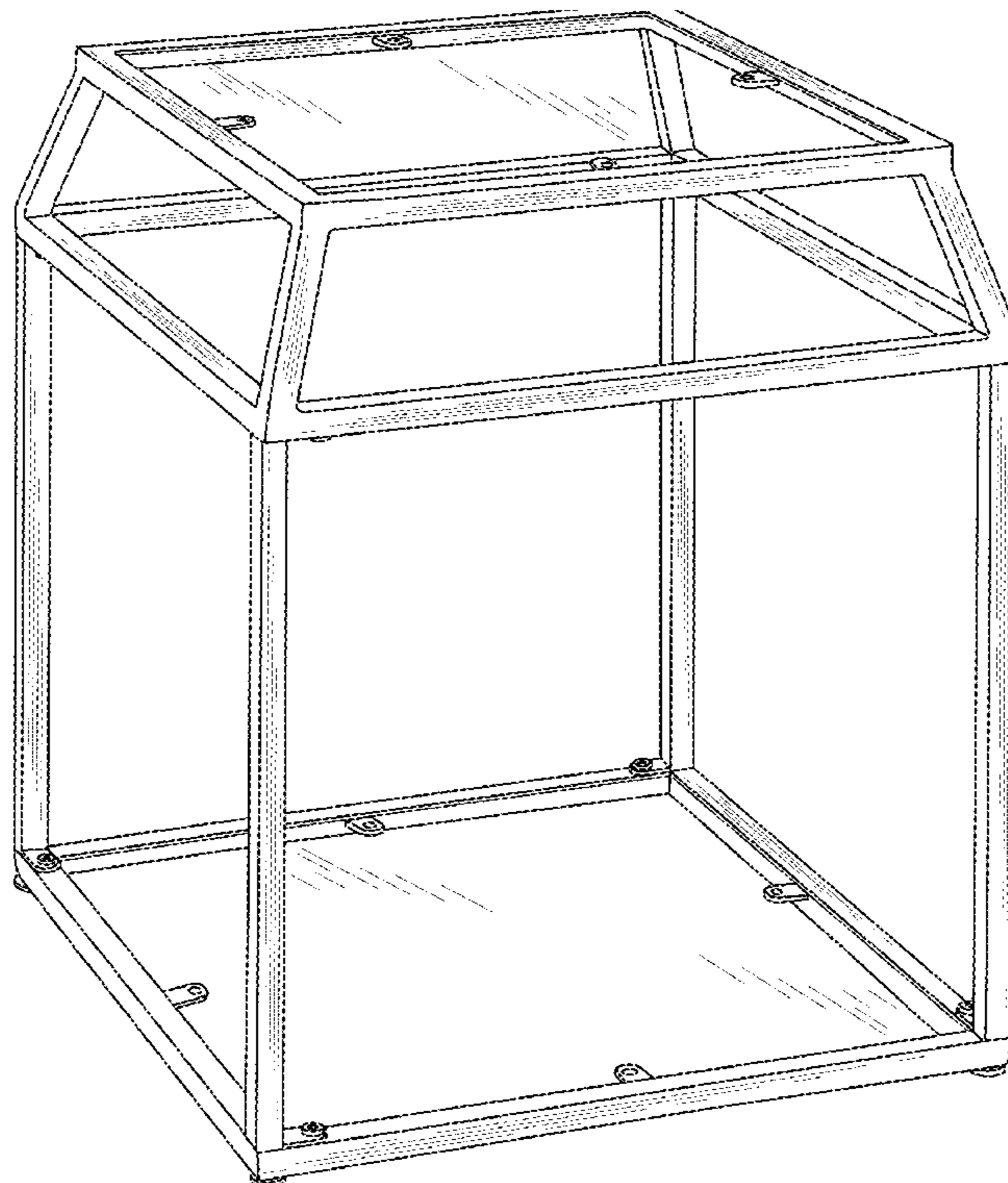
DESCRIPTION

FIG. 1 is a front perspective view of a table showing my new design;
FIG. 2 is a front elevation view thereof;
FIG. 3 is a rear elevation view thereof;
FIG. 4 is a left-side elevation view thereof;
FIG. 5 is a right-side elevation view thereof;
FIG. 6 is a top plan view thereof; and,
FIG. 7 is a rear plan view thereof.

(56) **References Cited**
U.S. PATENT DOCUMENTS

D228,107 S * 8/1973 Klotz et al. D6/691.6
D235,293 S * 6/1975 Waitzman D6/691.4
D240,582 S * 7/1976 Friedman D6/691.8
4,556,148 A * 12/1985 Koller A47B 47/0008 211/182

1 Claim, 7 Drawing Sheets



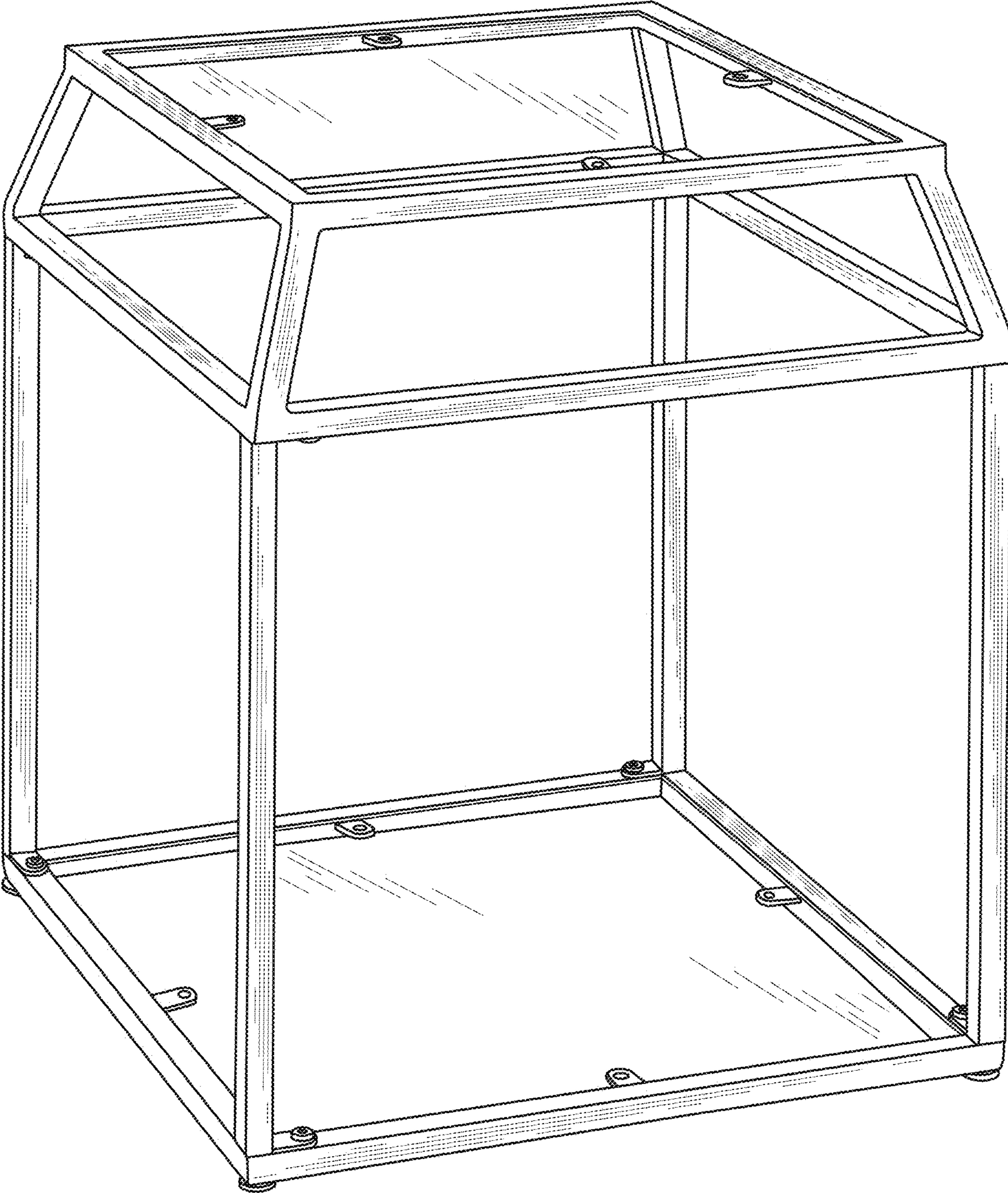


Fig. 1

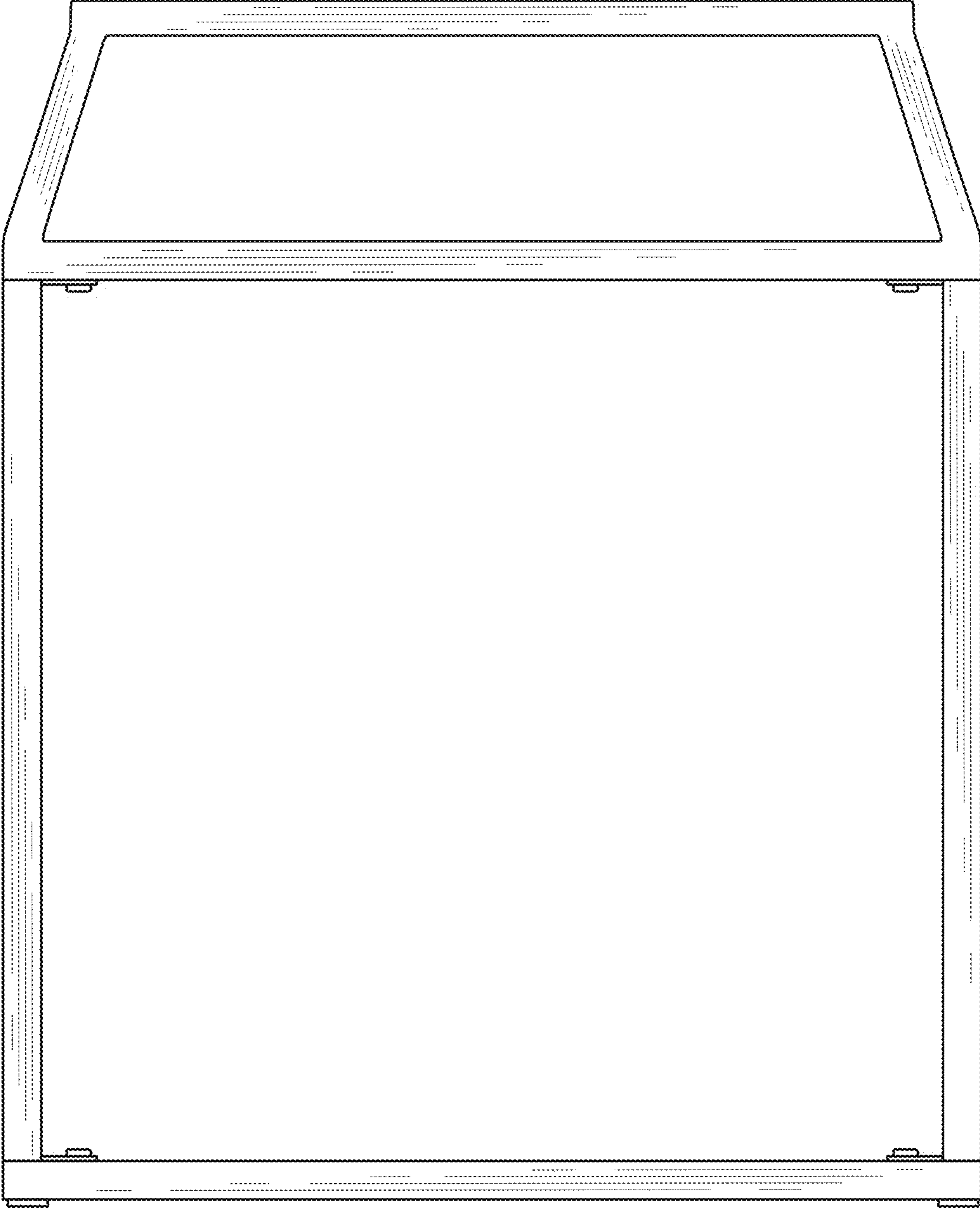


Fig. 2

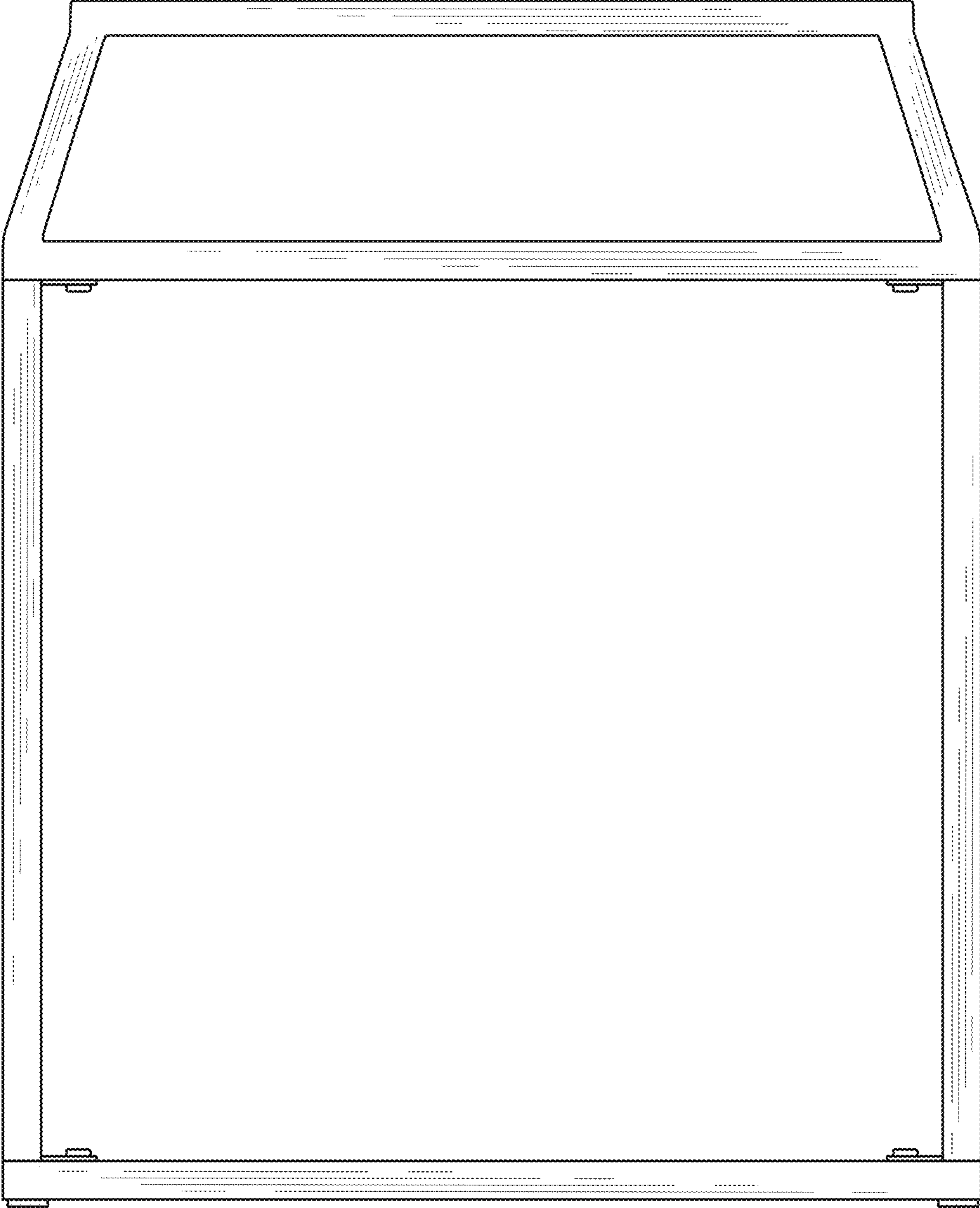


Fig. 3

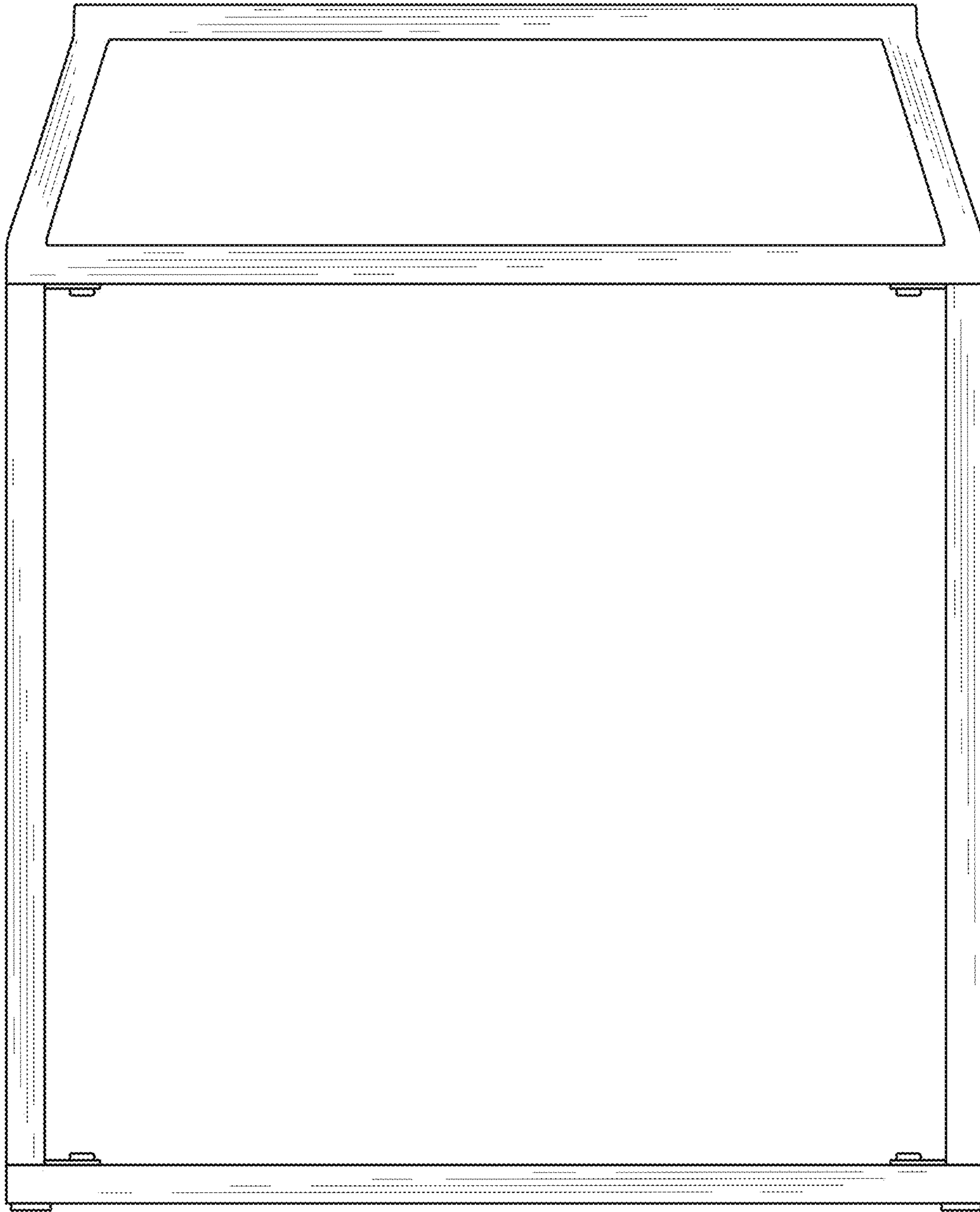


Fig. 4

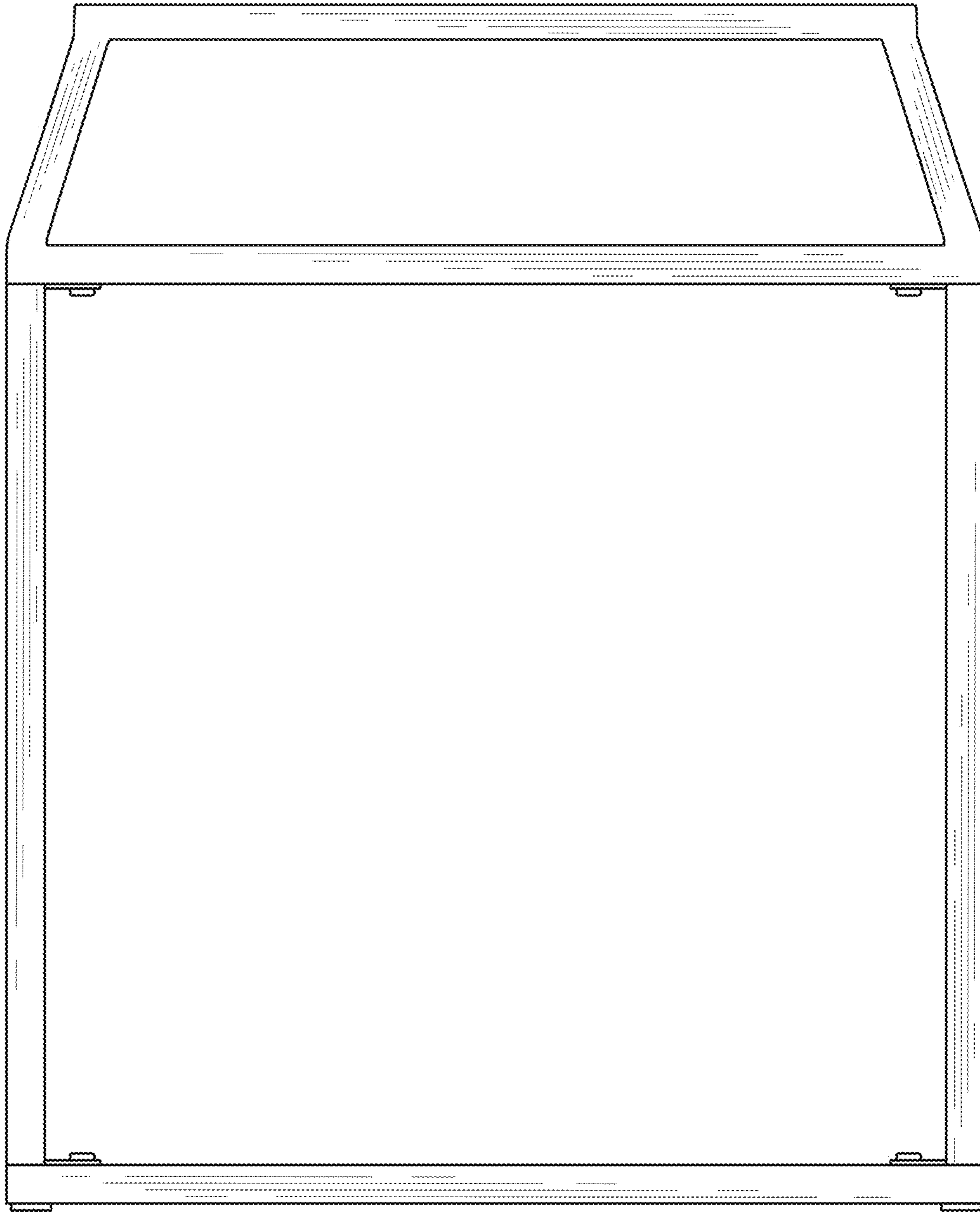


Fig. 5

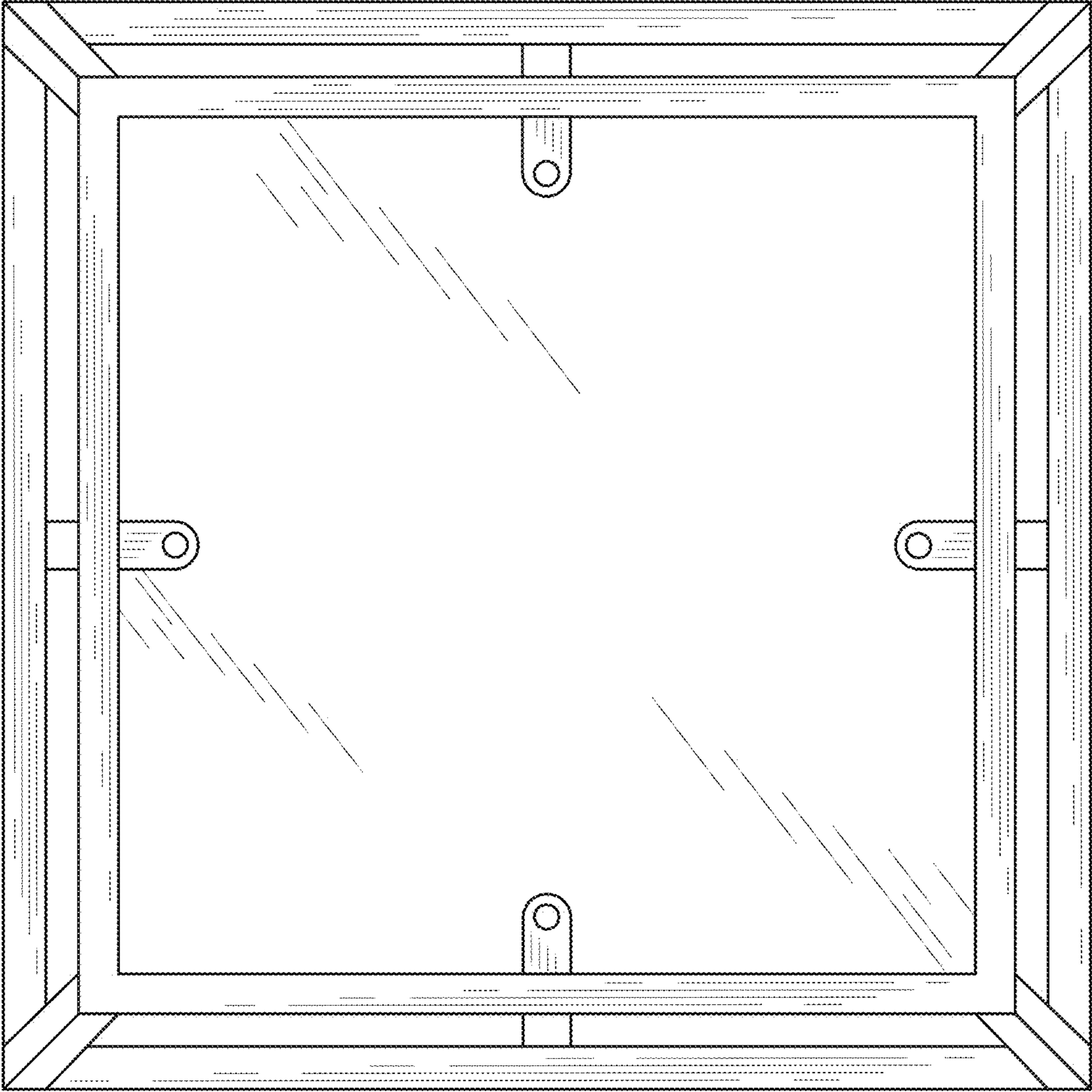


Fig. 6

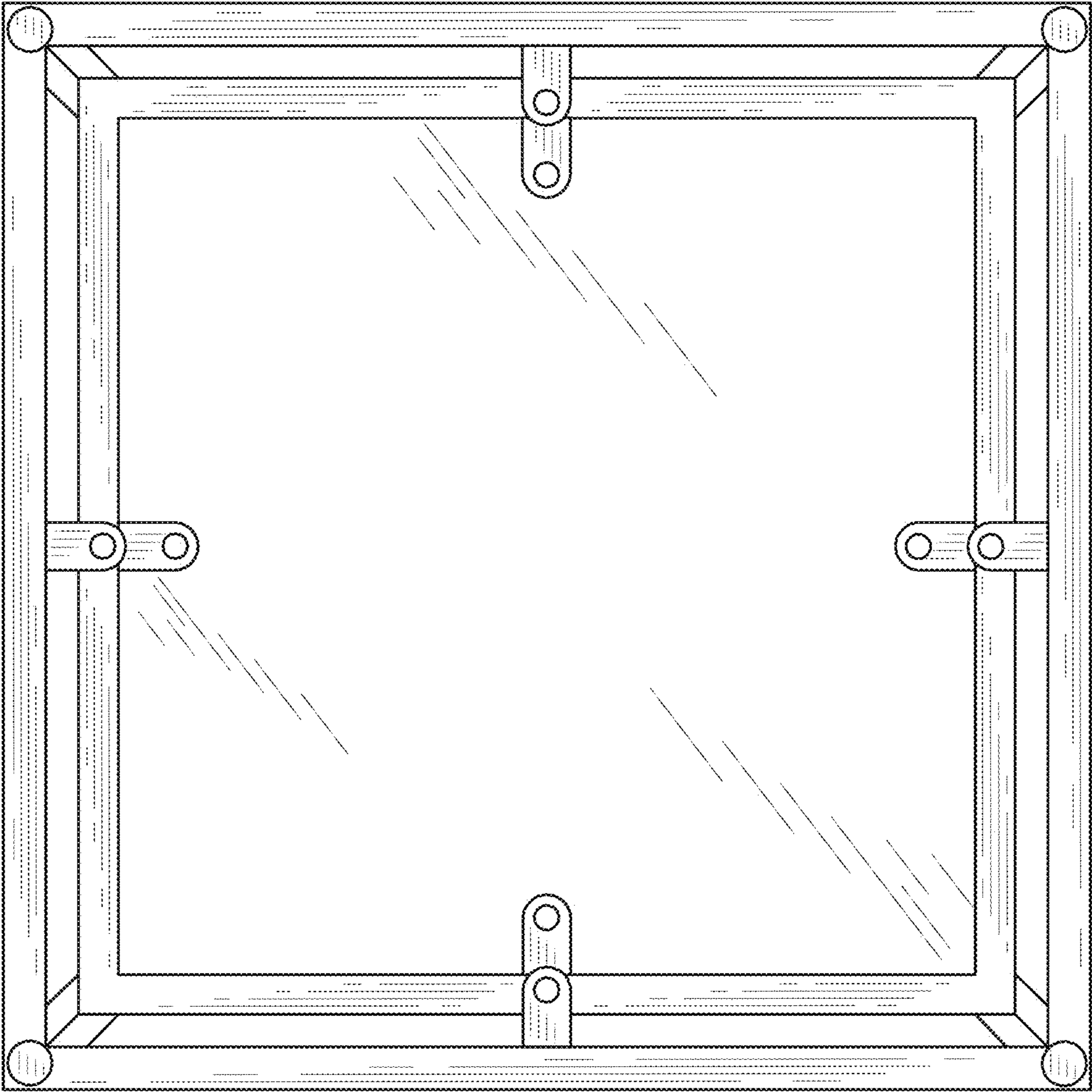


Fig. 7