



US00D920724S

(12) **United States Design Patent** (10) **Patent No.:** **US D920,724 S**  
**Burger** (45) **Date of Patent:** **\*\* Jun. 1, 2021**

(54) **RACK ORGANIZER**  
(71) Applicant: **Naftuli Burger**, Monsey, NY (US)  
(72) Inventor: **Naftuli Burger**, Monsey, NY (US)  
(\*\*) Term: **15 Years**  
(21) Appl. No.: **29/726,299**  
(22) Filed: **Mar. 2, 2020**  
(51) **LOC (13) Cl.** ..... **06-06**  
(52) **U.S. Cl.**  
USPC ..... **D6/678.4**  
(58) **Field of Classification Search**  
USPC ..... D6/672, 673, 675, 678, 678.1, 678.4,  
D6/680.2, 680.3, 681.1, 681.2, 682,  
D6/682.3, 682.4  
CPC ..... A47B 47/02; A47B 55/02; A47B 63/00;  
A47G 19/08; A47G 29/12; A47G 29/08;  
A47F 7/0064  
See application file for complete search history.

D434,591 S \* 12/2000 Goodman ..... D6/629  
D567,001 S \* 4/2008 Rosen ..... D6/513  
D568,056 S \* 5/2008 Yarborough ..... D6/315  
D583,716 S \* 12/2008 Ross ..... D12/115  
D658,939 S \* 5/2012 Adams ..... D7/402  
D668,103 S \* 10/2012 Cloutier ..... D7/402  
D689,338 S \* 9/2013 Procter ..... D7/601  
D729,552 S \* 5/2015 Morales ..... D6/678.4  
D734,109 S \* 7/2015 Goodman ..... D7/704  
D736,566 S \* 8/2015 Tsai ..... D7/601  
D741,650 S \* 10/2015 Bombard ..... D7/409  
D757,507 S \* 5/2016 Chen ..... D7/704  
D774,356 S \* 12/2016 Maiorana ..... D7/409  
D850,169 S \* 6/2019 Tsai ..... D6/678.4  
D875,340 S \* 2/2020 Xie ..... D32/56  
2006/0289372 A1 12/2006 Yang  
2008/0314846 A1 12/2008 Klein  
2015/0342402 A1\* 12/2015 Bombard ..... A47J 37/0694  
99/448

\* cited by examiner  
*Primary Examiner* — Kelley A Donnelly  
(74) *Attorney, Agent, or Firm* — Ross Brandborg

(57) **CLAIM**  
I claim the ornamental design for the rack organizer, as shown and described.

(56) **References Cited**  
U.S. PATENT DOCUMENTS  
2,205,064 A \* 6/1940 Irwin ..... A47J 37/0694  
99/426  
D180,955 S \* 9/1957 Lyons ..... D6/407  
D231,178 S \* 4/1974 Wright ..... D6/407  
D297,489 S \* 9/1988 Chap ..... D6/675.5  
D334,493 S \* 4/1993 Penar ..... D6/678.4  
D381,548 S \* 7/1997 Goodman ..... D6/407  
D387,949 S \* 12/1997 Bentson ..... 99/426  
D399,701 S \* 10/1998 Olivarez ..... D7/504

**DESCRIPTION**  
FIG. 1 is a perspective front view of the invention;  
FIG. 2 is a straight top view thereof;  
FIG. 3 is a straight top view thereof;  
FIG. 4 is a straight back view thereof; and,  
FIG. 5 is a side view thereof.  
**1 Claim, 5 Drawing Sheets**

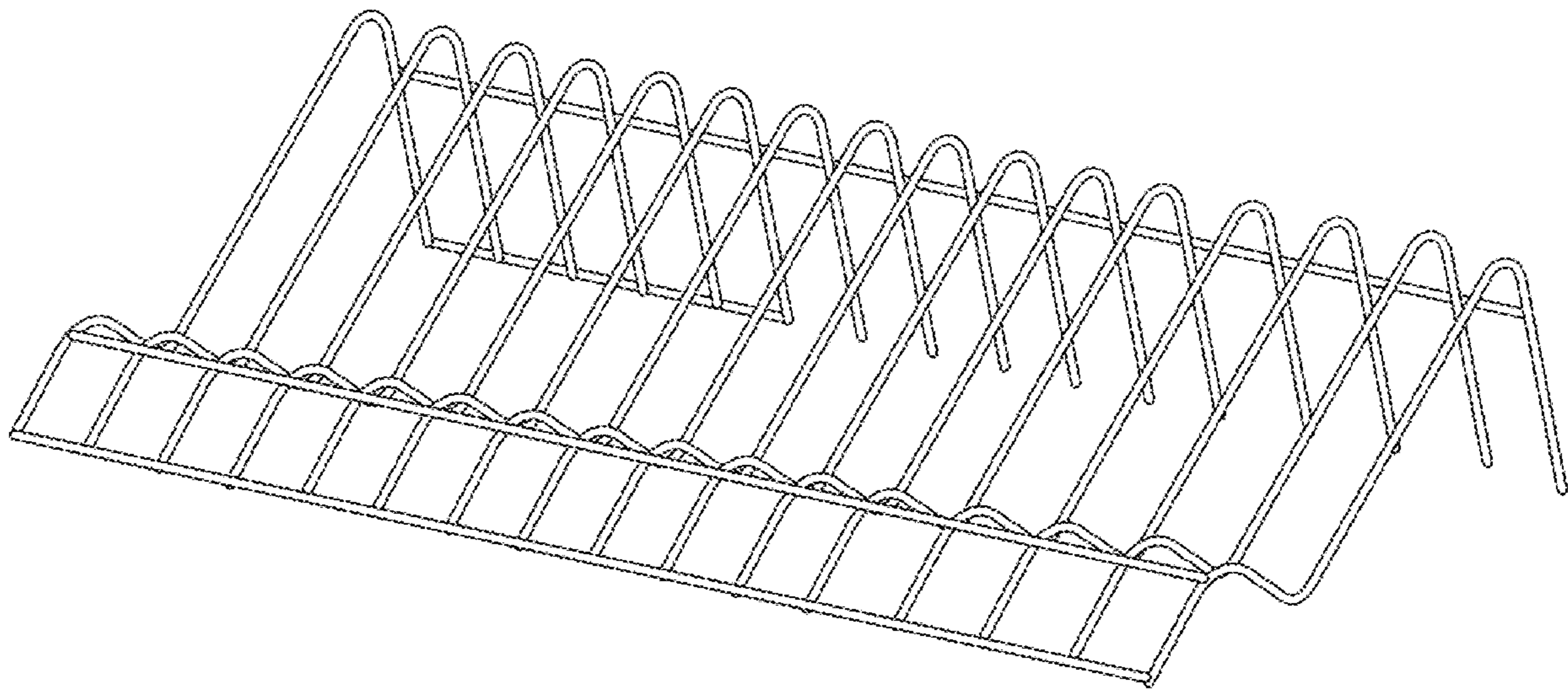


FIG.1

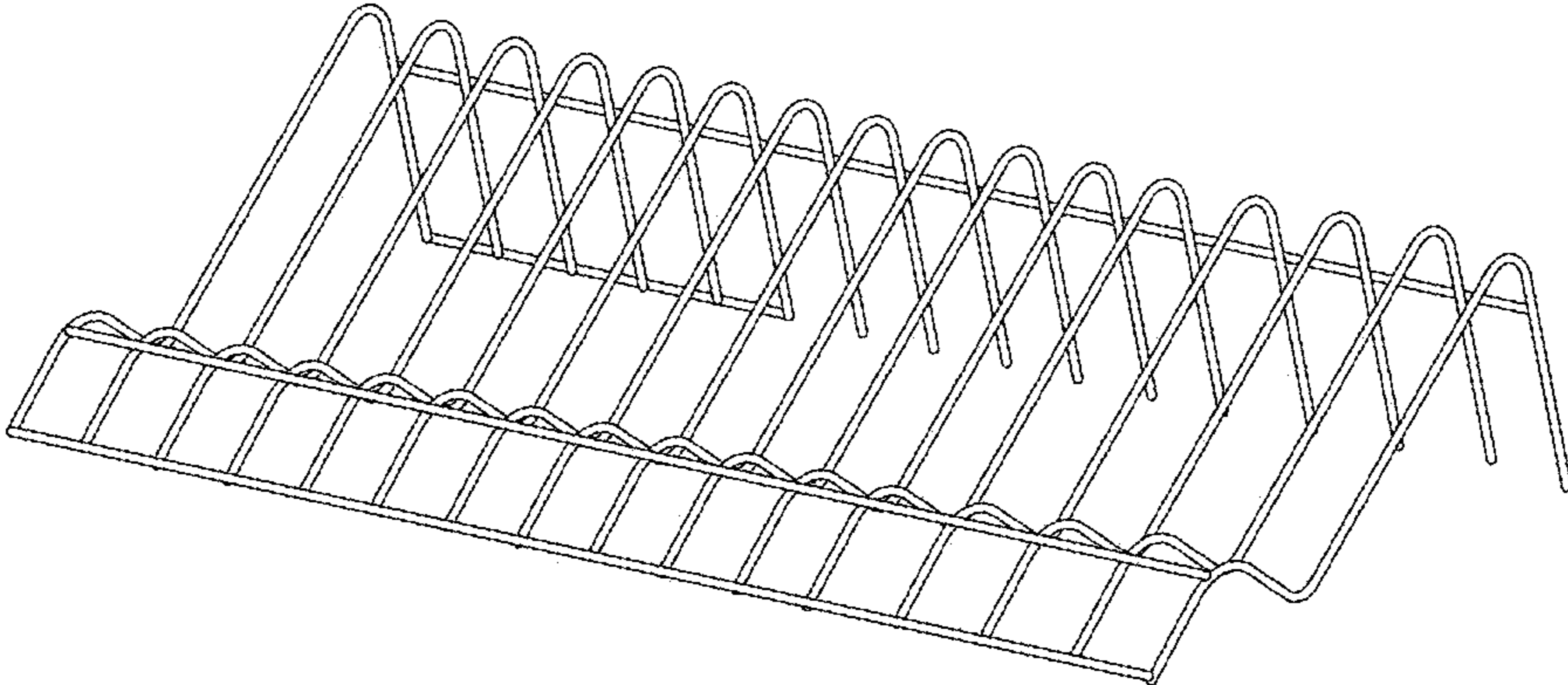


FIG.2

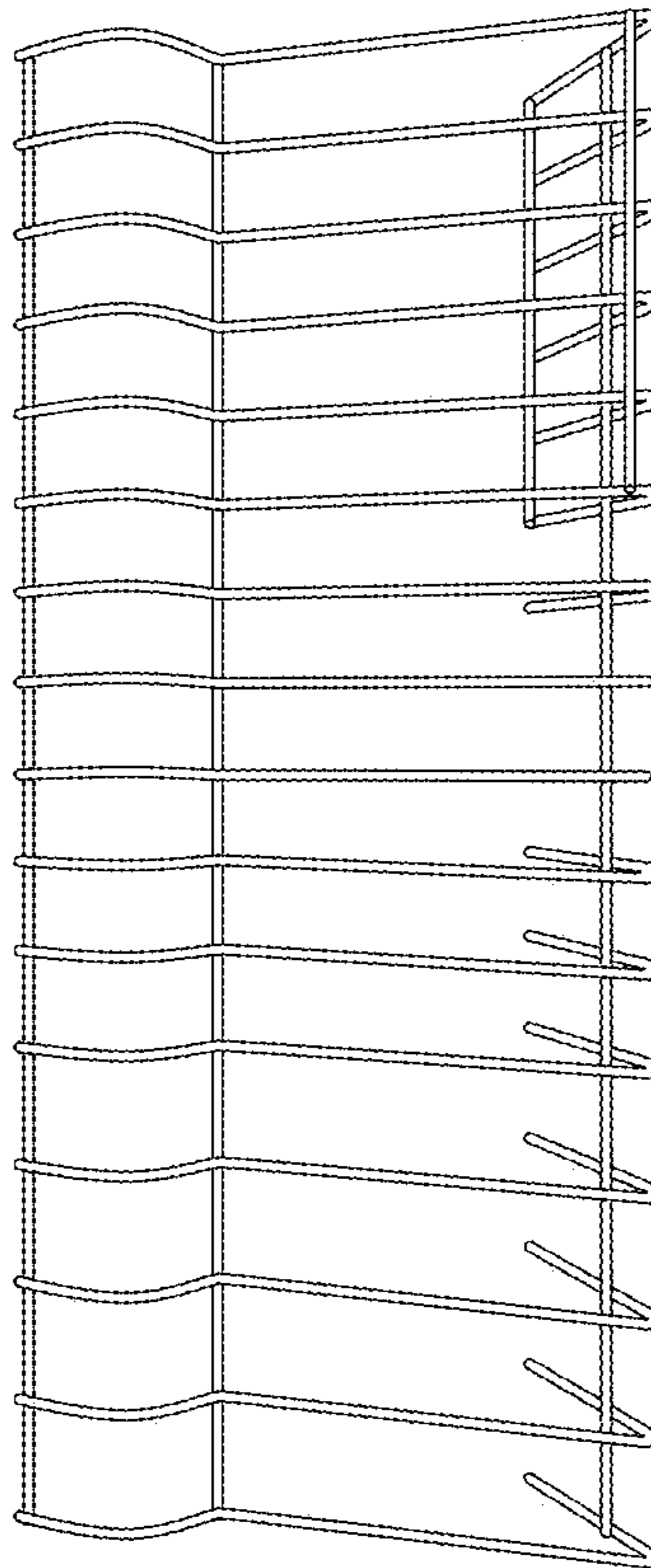


FIG.3

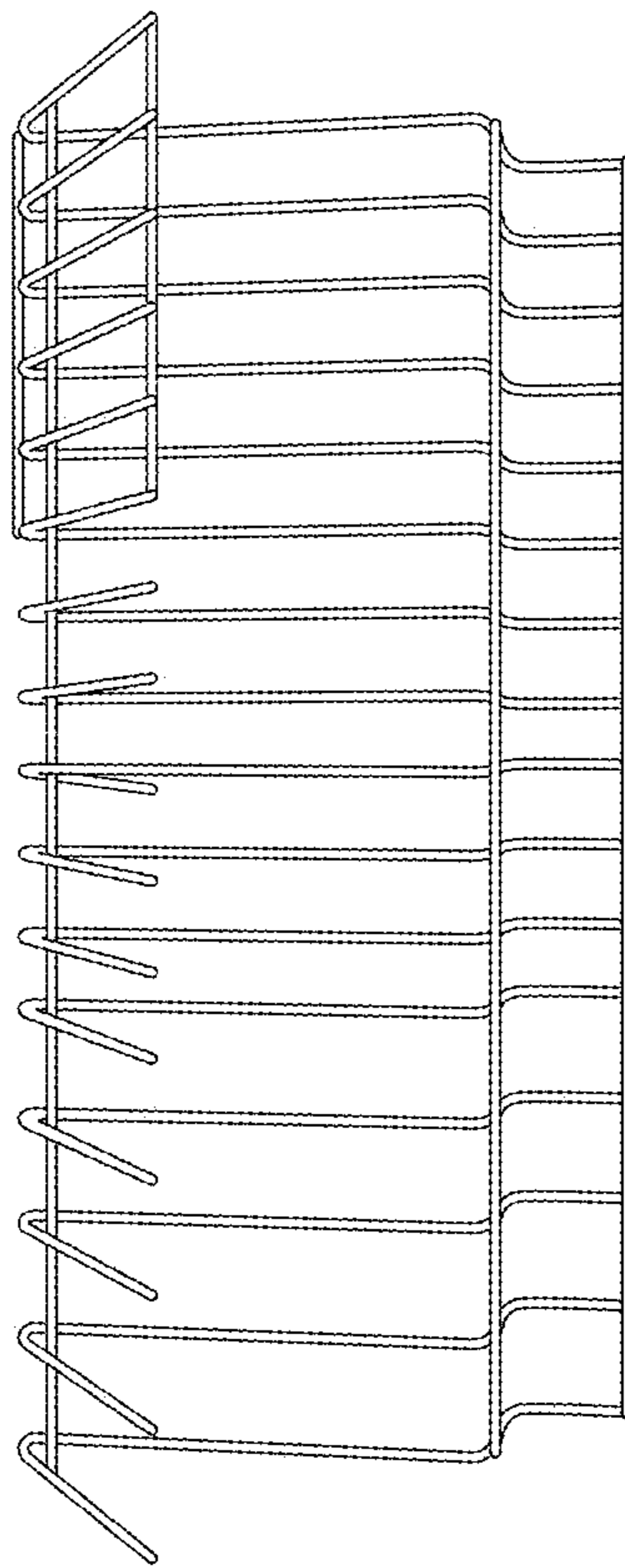


FIG.4

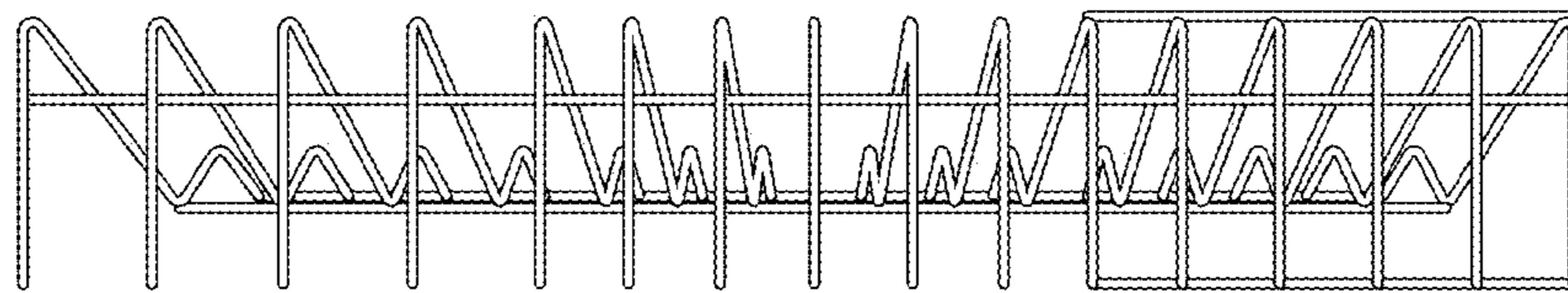


FIG.5

