



US00D920714S

(12) **United States Design Patent**
Hentges

(10) **Patent No.:** **US D920,714 S**
(45) **Date of Patent:** **** Jun. 1, 2021**

(54) **DIRECTIONAL SIGN FOR EVACUATION**

(71) Applicant: **Air Cruisers Company, LLC**, Wall Township, NJ (US)

(72) Inventor: **Robert William Hentges**, Brick, NJ (US)

(73) Assignee: **AIR CRUISERS COMPANY, LLC**, Wall Township, NJ (US)

(**) Term: **15 Years**

(21) Appl. No.: **29/684,030**

(22) Filed: **Mar. 18, 2019**

(51) **LOC (13) Cl.** **06-11**

(52) **U.S. Cl.**

USPC **D6/591**; D20/32

(58) **Field of Classification Search**

USPC D6/583, 591; D10/104.1, 109.1, 109.2, D10/121, 125, 126; D20/1, 10, 12, 13, D20/14, 15, 16, 17, 18, 19, 20, 21, 29, D20/30, 32, 35, 37, 39, 40, 41, 42; D21/686, 792

CPC G09F 1/00; G09F 1/08; G09F 5/00; G09F 5/02; G09F 7/00; G09F 19/00; G09F 23/00; G09F 27/00; G09F 21/00; G09F 21/06; G09F 21/08; Y10S 362/812; A47F 3/00; A47F 8/00; A47F 11/00

See application file for complete search history.

(56) **References Cited**

U.S. PATENT DOCUMENTS

2,777,697 A * 1/1957 Crossot A63B 69/3667
473/218
D190,241 S * 5/1961 Miller D21/792
D195,264 S * 5/1963 Miller D21/792
3,420,529 A * 1/1969 Hennigan A63B 69/3667
473/218

3,550,946 A * 12/1970 Duino A63B 69/3667
473/218
D225,242 S * 11/1972 Pruitt D21/792
3,868,109 A * 2/1975 Fowler A63B 69/36
473/218
4,023,810 A * 5/1977 Lorang A63B 69/3673
473/218
D252,048 S * 6/1979 Richards D21/792
4,164,352 A * 8/1979 O'Brien A63B 69/3667
473/218

(Continued)

OTHER PUBLICATIONS

LiteMark, posted at Amazon.com, posted on May 4, 2017, site visited Oct. 24, 2020. online, available from internet: <https://www.amazon.com/LiteMark-Removable-Adhesive-Footprint-Stickers/dp/B08L8DCXWT> (Year: 2017).*

(Continued)

Primary Examiner — Mary Ann Calabrese

Assistant Examiner — Catherine Ho

(74) *Attorney, Agent, or Firm* — Kilpatrick Townsend & Stockton LLP

(57) **CLAIM**

I claim the ornamental design for a directional sign for evacuation, as shown and described.

DESCRIPTION

FIG. 1 is a top plan view of the first embodiment of a directional sign for evacuation shown in an environment of use, showing our new design.

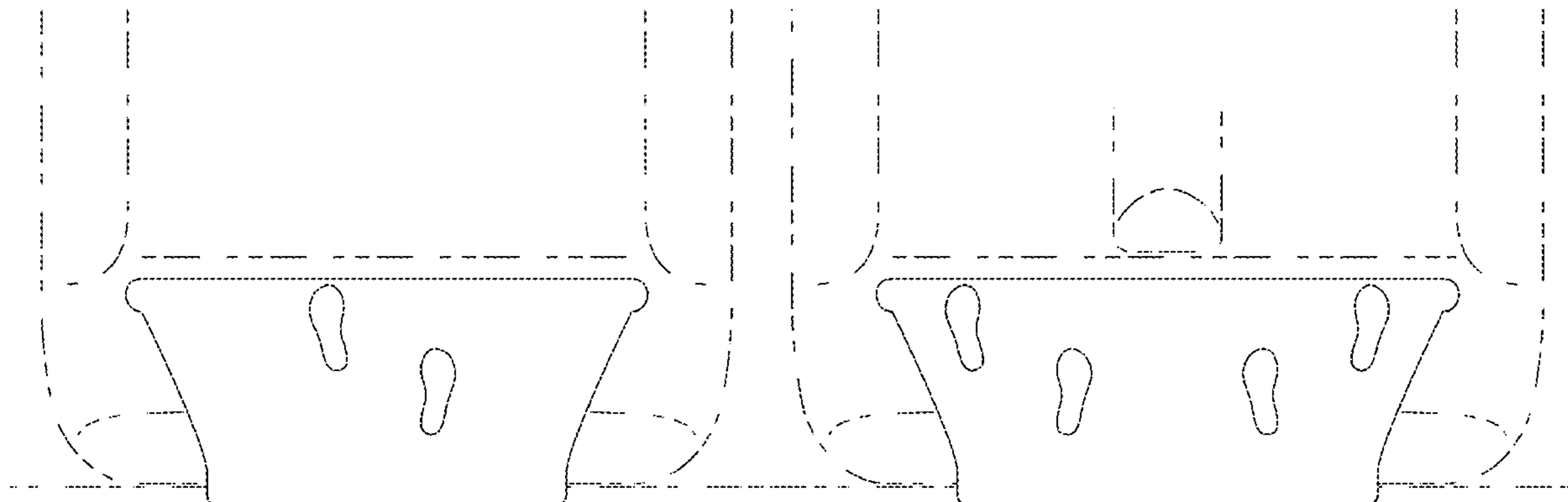
FIG. 2 is a side perspective view thereof.

FIG. 3 is a top plan view of the second embodiment of a directional sign for evacuation shown in an environment of use; and,

FIG. 4 is a side perspective view thereof.

All broken lines of the figure drawings are included to show environment that forms no part of the claimed design.

1 Claim, 4 Drawing Sheets



(56)

References Cited

U.S. PATENT DOCUMENTS

4,355,810 A * 10/1982 Rydeck A63B 69/3667
 473/218
 D335,696 S * 5/1993 Byers D21/792
 5,976,027 A * 11/1999 Kachmar A63B 69/3667
 473/273
 D429,555 S * 8/2000 Kelley D2/961
 D472,288 S * 3/2003 Grabowski D21/792
 D492,532 S * 7/2004 Ellis D6/588
 D506,897 S * 7/2005 Amorin D6/583
 D521,096 S * 5/2006 Pelz D21/792
 D557,051 S * 12/2007 Adoboe D6/582
 D624,621 S * 9/2010 Weiss, Jr. D21/792
 D689,505 S * 9/2013 Convay D14/485
 D691,166 S * 10/2013 Convay D14/486
 D741,430 S * 10/2015 Cooks D21/765
 D820,372 S * 6/2018 Johnson A63B 69/3667
 D21/792
 D878,497 S * 3/2020 Miles D21/686

OTHER PUBLICATIONS

Removable footprints, posted at Seton.com, posted on May 19, 2014, site visited Oct. 24, 2020. online, available from internet: https://tineye.com/search/cee1c11ad65bd5f1a7d8a6b42f824027416cce0c?sort=crawl_date&order=asc&page=1 (Year: 2014).*

01, posted at Accuform.com, posted on May 28, 2016, site visited Oct. 24, 2020. online, available from internet: https://tineye.com/search/ada722472053efa0910209fd050f9d490f7f8d50?sort=crawl_date&order=asc&page=1 (Year: 2016).*

Nsaftfoots, posted at Creativesafetysupply.com, posted on Sep. 2, 2010, site visited Oct. 24, 2020. online, available from internet: https://tineye.com/search/9a1b07dd745bb8a3458e112c9fd9b2a40f632522?sort=crawl_date&order=asc&page=1 (Year: 2010).*

* cited by examiner

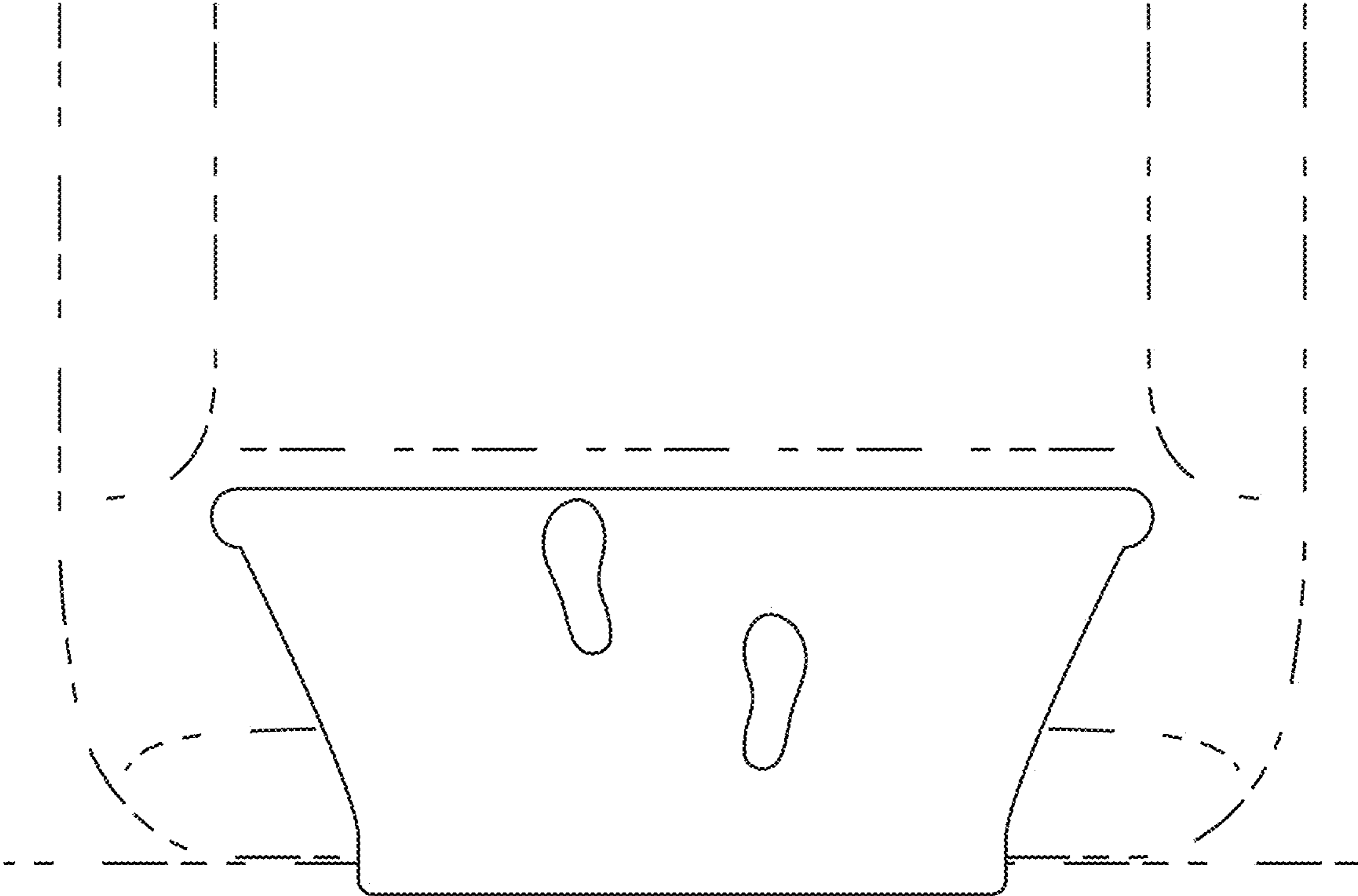


FIG. 1

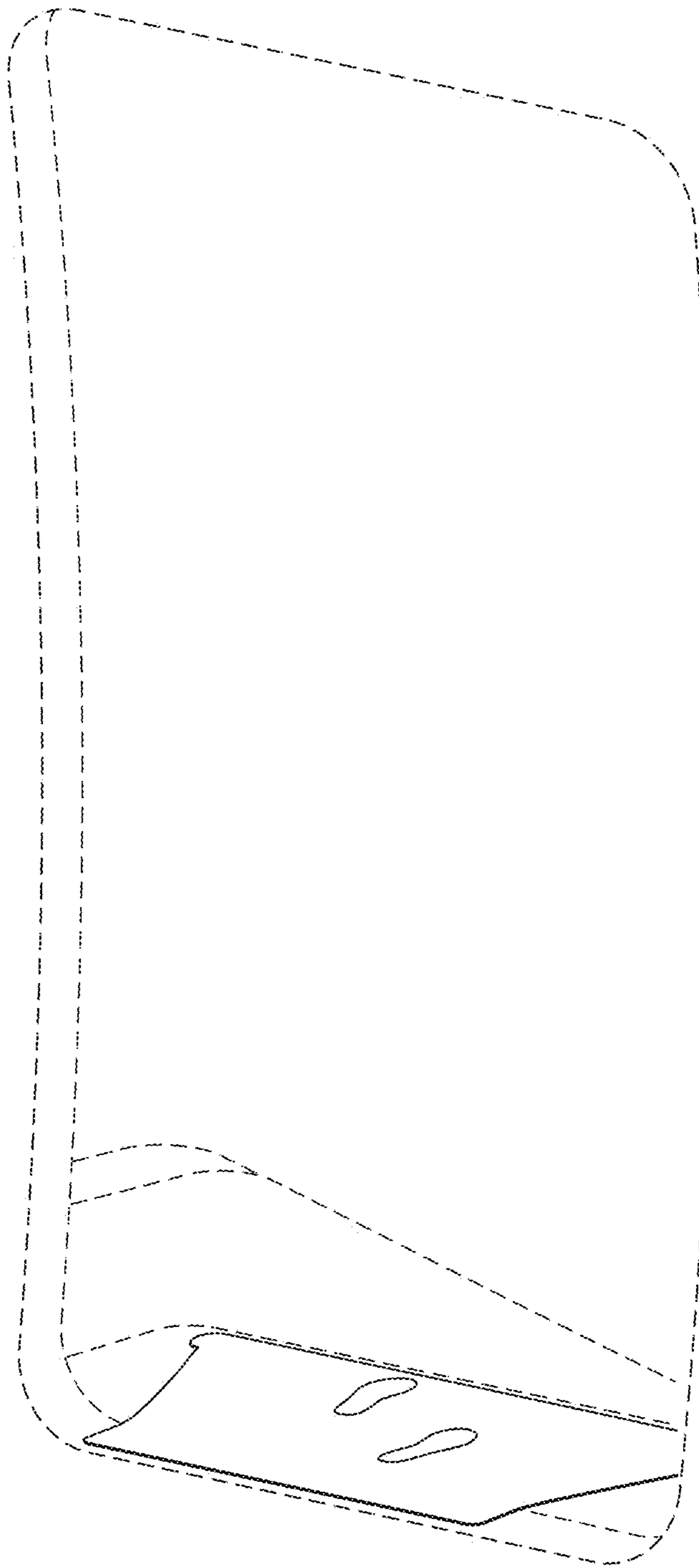


FIG. 2

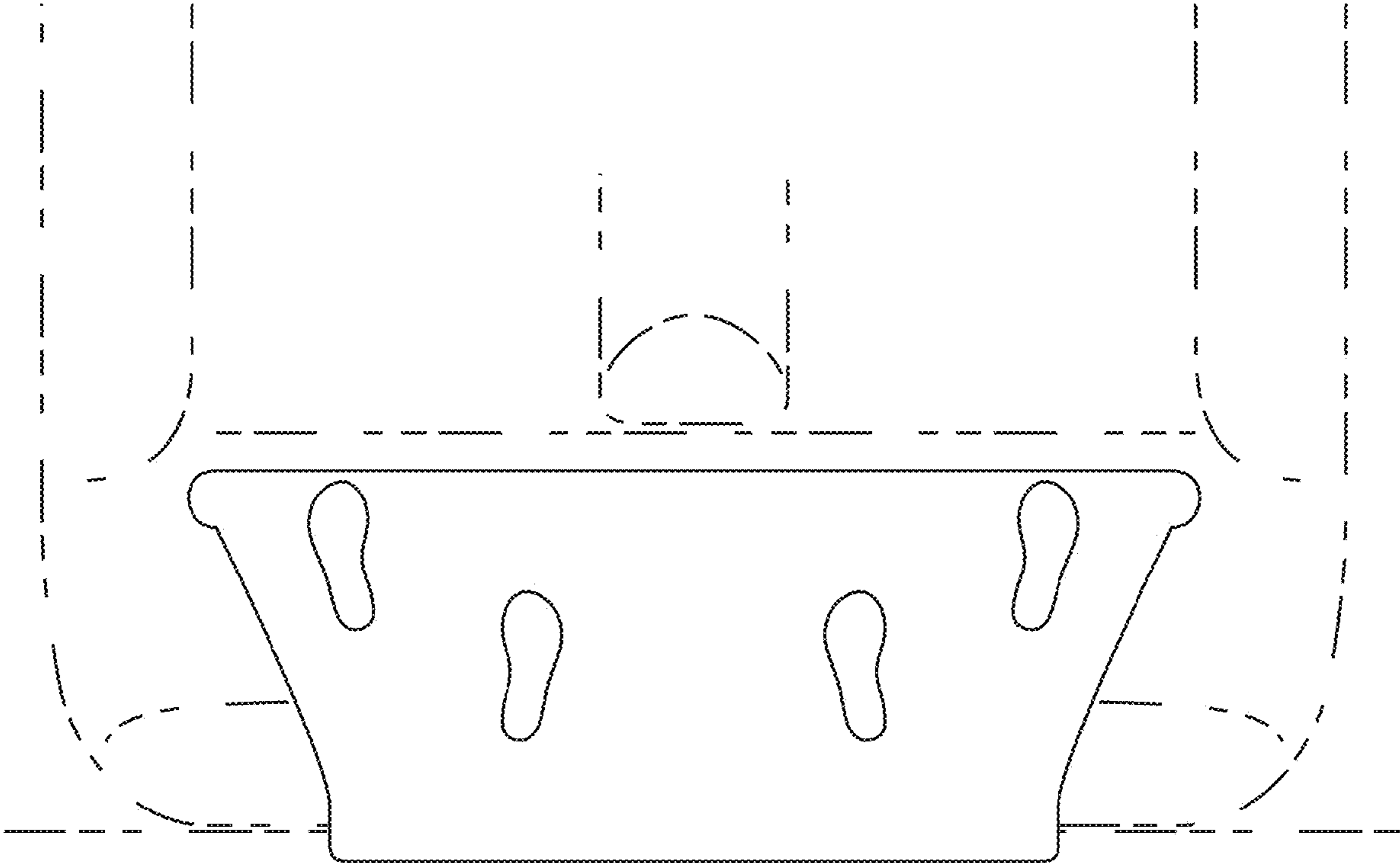


FIG. 3

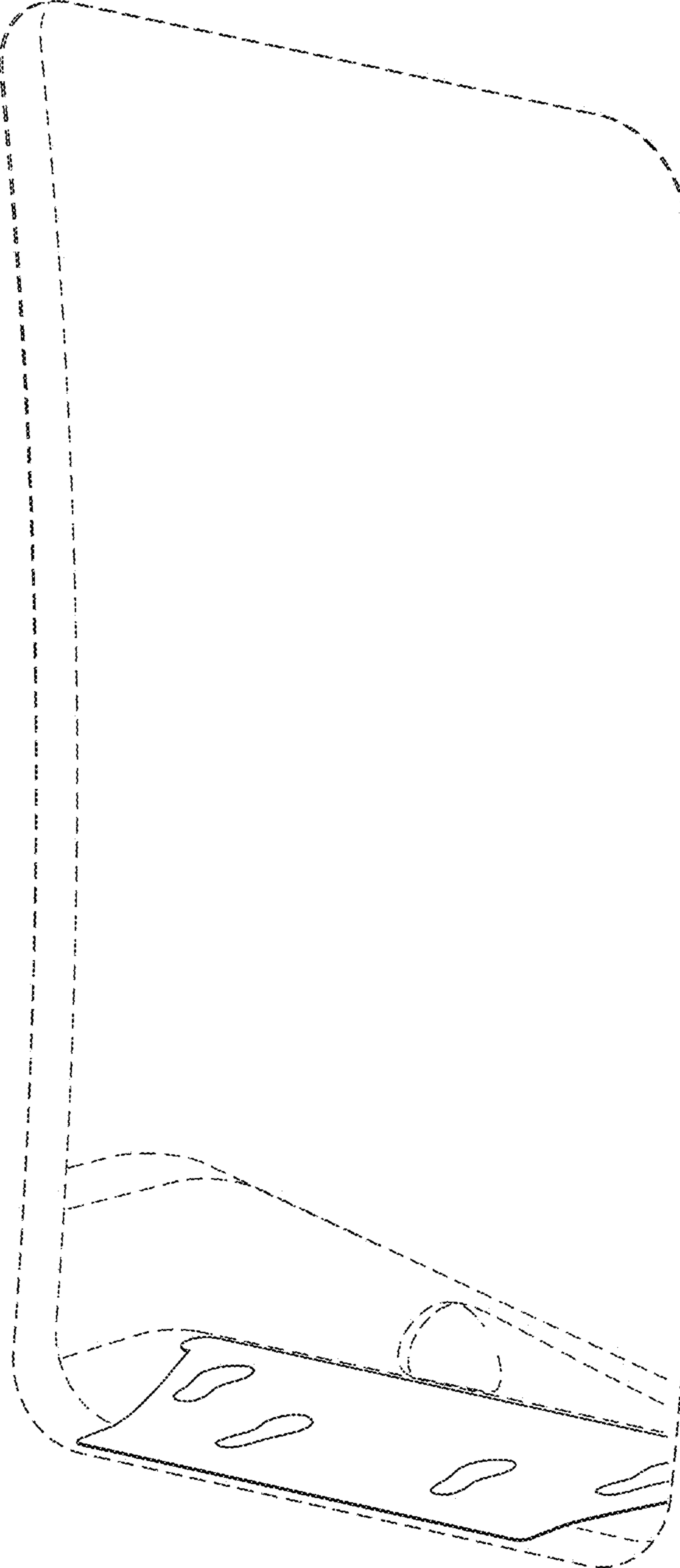


FIG. 4