



US00D920713S

(12) **United States Design Patent** (10) **Patent No.:** **US D920,713 S**
Prevoteau et al. (45) **Date of Patent:** **** Jun. 1, 2021**

(54) **BOX FOR WINDOW BLINDS**
(71) Applicant: **SOMFY ACTIVITES SA, Cluses (FR)**
(72) Inventors: **Mathieu Prevoteau, Cran Gevrier (FR); Alizé Legoueff, Annecy (FR)**
(73) Assignee: **SOMFY ACTIVITES SA, Cluses (FR)**
(**) Term: **15 Years**
(21) Appl. No.: **35/506,174**
(22) Filed: **Oct. 15, 2018**
(80) **Hague Agreement Data**
Int. Filing Date: **Oct. 15, 2018**
Int. Reg. No.: **DM/103739**
Int. Reg. Date: **Oct. 15, 2018**
Int. Reg. Pub. Date: **Nov. 30, 2018**

(30) **Foreign Application Priority Data**
Apr. 20, 2018 (EM) 005243151
(51) **LOC (13) Cl.** **06-10**
(52) **U.S. Cl.**
USPC **D6/580**
(58) **Field of Classification Search**
USPC D6/575-581; D8/354, 377; D25/55, D25/119, 122
CPC ... E06B 9/24; E06B 9/26; E06B 9/264; E06B 9/322; E06B 9/323; A47H 2001/006; A47H 2001/0215
See application file for complete search history.

(56) **References Cited**
U.S. PATENT DOCUMENTS
D103,354 S * 2/1937 Wade D6/577
D162,325 S * 3/1951 Lorentzen D6/580
D295,354 S * 4/1988 De Block 160/84.04

4,886,102 A * 12/1989 Debs E06B 9/32 160/177 R
D341,744 S * 11/1993 Schaefer D6/575
D353,503 S * 12/1994 Belue D6/575
D416,425 S * 11/1999 DeJesus D6/575
D460,681 S * 7/2002 Edwards D8/354
D483,653 S * 12/2003 Immerman D8/354
D487,662 S * 3/2004 Ward D6/580
6,722,414 B2 * 4/2004 Nien A47H 1/13 160/123
6,941,998 B2 * 9/2005 Nien E06B 9/322 160/168.1 R
D777,013 S * 1/2017 Heggland D8/349
9,903,157 B2 * 2/2018 Dekker E06B 9/322
10,322,197 B1 * 6/2019 Williams E04B 2/74
2008/0066876 A1 * 3/2008 Ganzi E06B 9/322 160/168.1 R
2011/0247766 A1 * 10/2011 Hu E06B 9/322 160/188
2013/0042985 A1 * 2/2013 Liu E06B 9/303 160/340

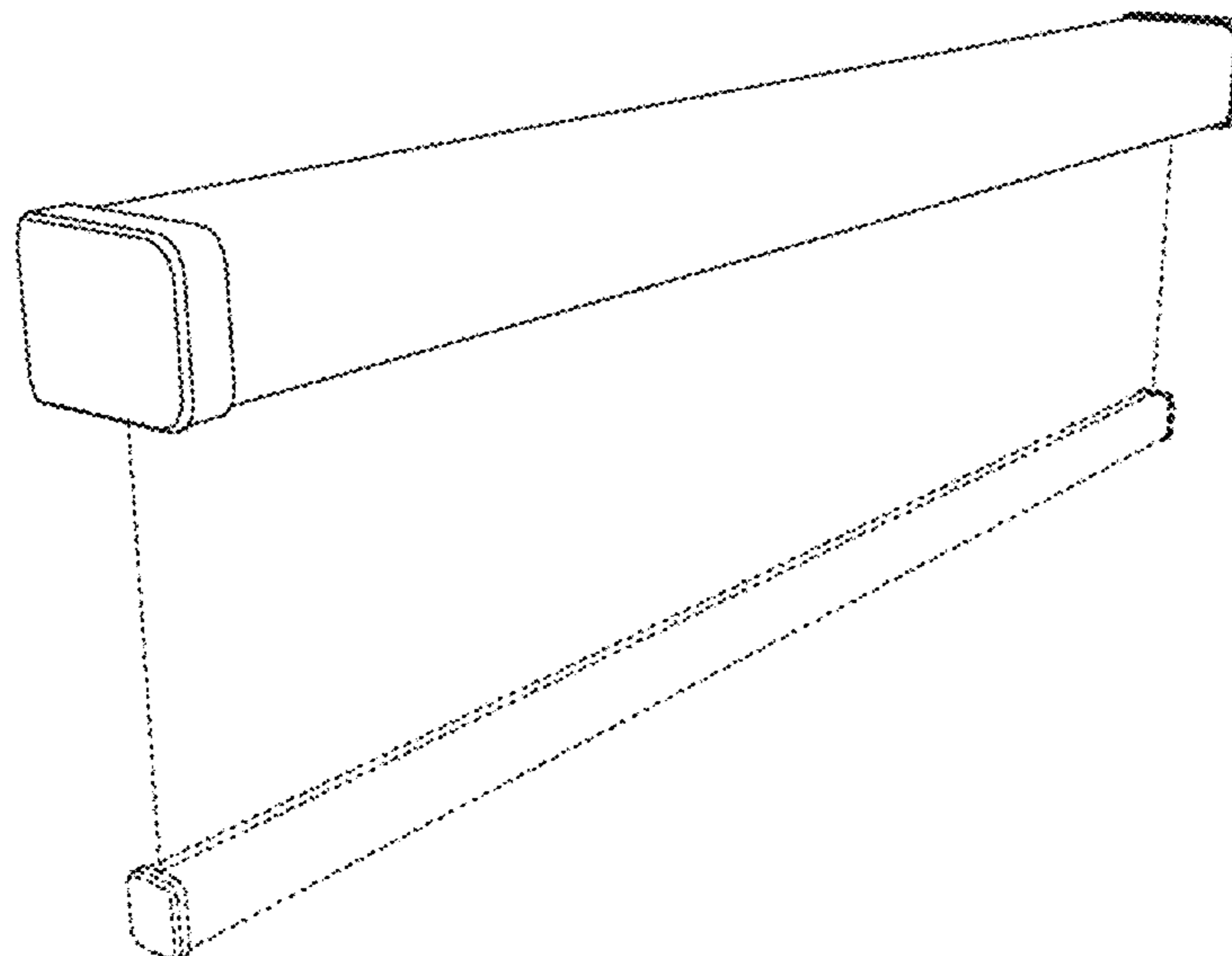
(Continued)

Primary Examiner — Kevin K Rudzinski
Assistant Examiner — Richard Kearney
(74) *Attorney, Agent, or Firm* — Stephen J. Weyer, Esq.; Stites & Harbison, PLLC

(57) **CLAIM**
The ornamental design for a box for window blinds, as shown and described.

DESCRIPTION
1.1 : Perspective
1.2 : Front
1.3 : Back
1.4 : Left
1.5 : Right
1.6 : Top
1.7 : Bottom
The broken lines shown in the drawings illustrate environmental structure and form no part of the claimed design.

1 Claim, 7 Drawing Sheets



(56)

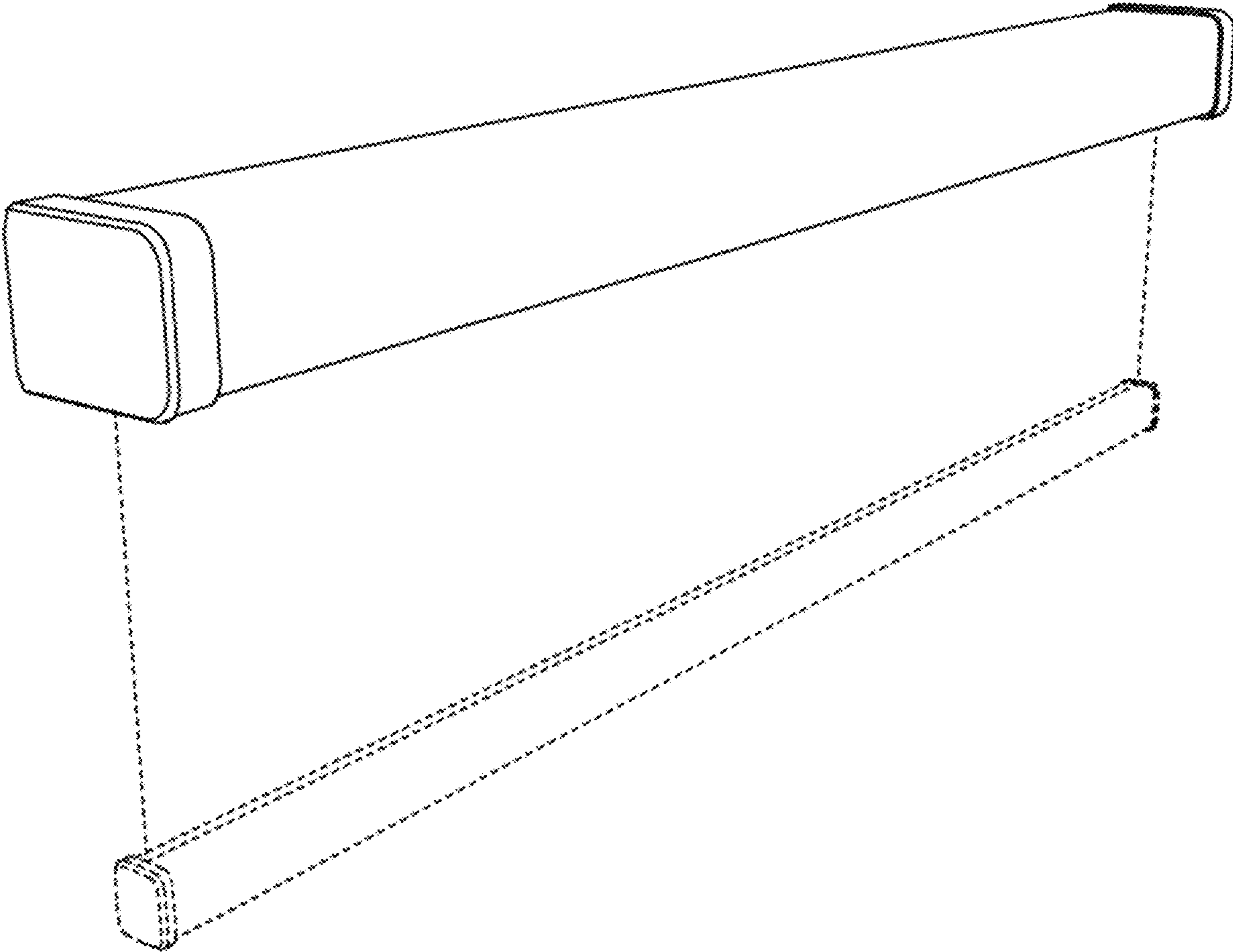
References Cited

U.S. PATENT DOCUMENTS

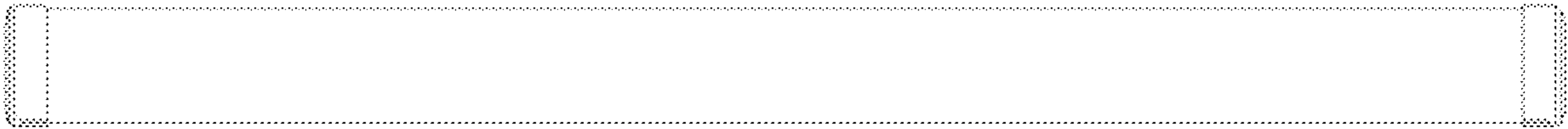
2013/0081494 A1* 4/2013 Klein Tunte F16H 35/00
74/411
2015/0345214 A1* 12/2015 Rupel E06B 9/264
160/89
2018/0023339 A1* 1/2018 Sung E06B 9/306
160/168.1 R
2019/0017316 A1* 1/2019 Zhao E06B 9/326

* cited by examiner

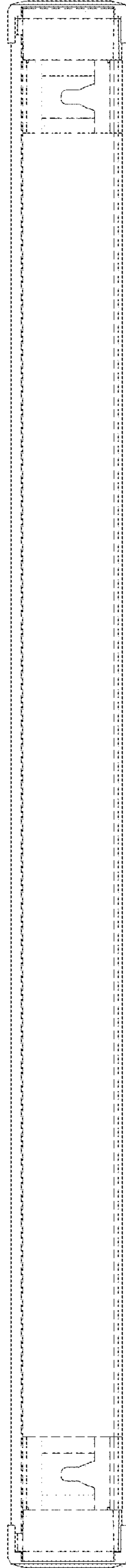
1.1



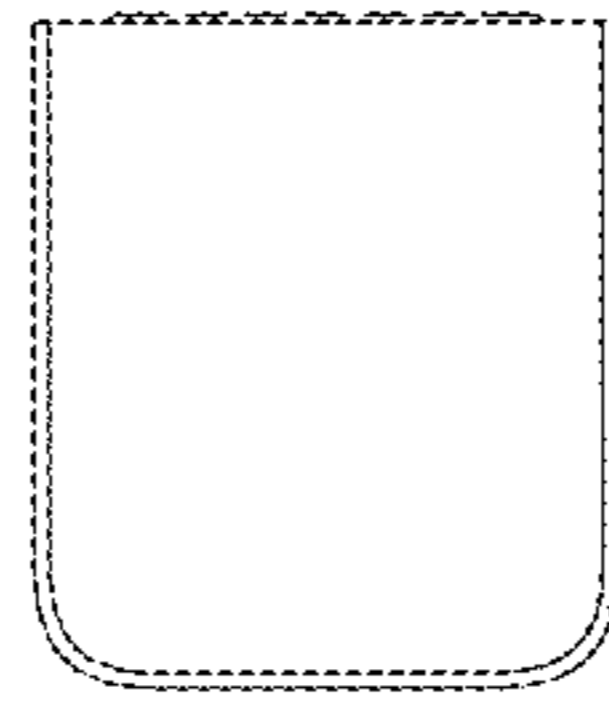
1.2



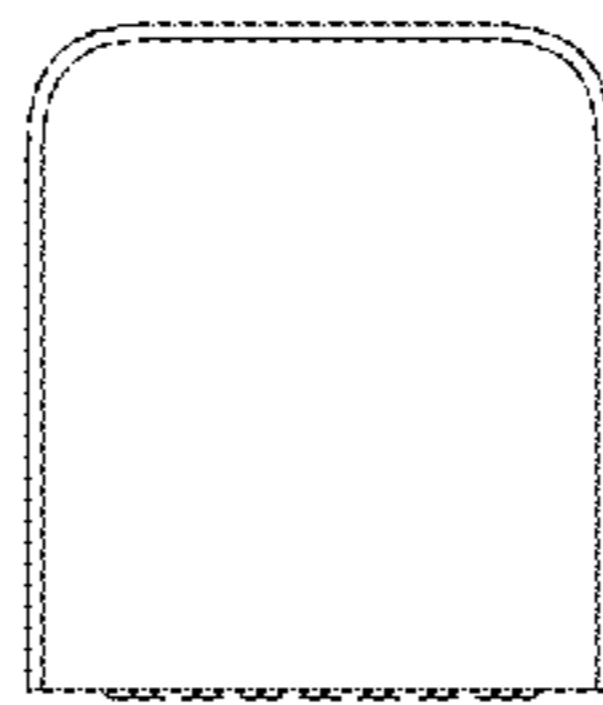
1.3

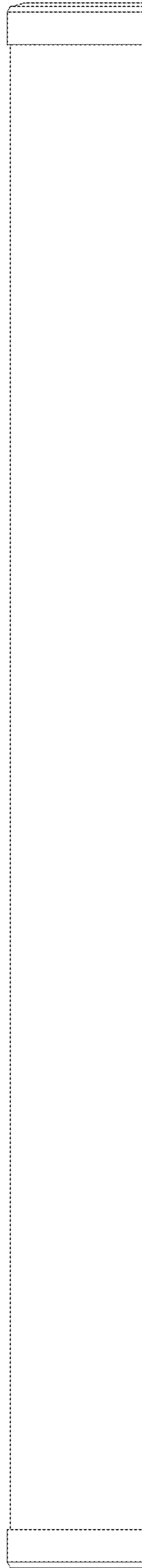


1.4

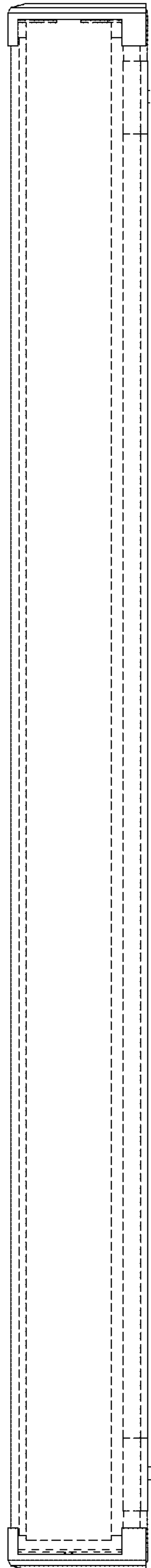


1.5





1.6



1.7