



US00D920712S

(12) **United States Design Patent** (10) **Patent No.:** **US D920,712 S**  
**Chen et al.** (45) **Date of Patent:** **\*\* Jun. 1, 2021**

(54) **SHELF UNIT**

D727,658 S \* 4/2015 Brovoid ..... D6/574  
D731,822 S \* 6/2015 Klein ..... D6/675  
D843,761 S \* 3/2019 Chang ..... D6/705  
D890,552 S \* 7/2020 Case ..... D6/672

(71) Applicant: **3M INNOVATIVE PROPERTIES COMPANY**, St. Paul, MN (US)

**FOREIGN PATENT DOCUMENTS**

(72) Inventors: **Chih-Ming Chen**, New Taipei (TW);  
**Hui-Lin Wang**, Taipei (TW); **Pei-Chun Chang**, Taoyuan County (TW)

JP D1549266 4/2016  
JP D1549267 4/2016  
TW 556513 10/2003  
TW M465832 11/2013  
TW M512989 12/2015  
TW M538024 3/2017  
TW I1619451 4/2018

(73) Assignee: **3M INNOVATIVE PROPERTIES COMPANY**, St. Paul, MN (US)

(\*\*) Term: **15 Years**

\* cited by examiner

(21) Appl. No.: **29/685,448**

*Primary Examiner* — Mark Booker

(22) Filed: **Mar. 28, 2019**

(74) *Attorney, Agent, or Firm* — Kevin W. Weber

(51) **LOC (13) Cl.** ..... **06-04**

(57) **CLAIM**

(52) **U.S. Cl.**

The ornamental design for a shelf unit, as shown and described.

USPC ..... **D6/574**

(58) **Field of Classification Search**

**DESCRIPTION**

USPC ..... D6/574, 653, 655, 670, 672, 675, 705,  
D6/705.7, 678.1; D7/698; 52/287.1;  
108/28–29, 152; 248/205.3, 235, 243,  
248/247, 250

FIG. 1 is a perspective view showing the new design for a shelf unit;  
FIG. 2 is a front view thereof;  
FIG. 3 is a rear view thereof;  
FIG. 4 is a top view thereof;  
FIG. 5 is a bottom view thereof;  
FIG. 6 is a left side view thereof; and,  
FIG. 7 is a right side view thereof.

CPC ..... A47B 45/00; A47B 57/00; A47B 47/00;  
A47B 47/0091; A47B 63/00

See application file for complete search history.

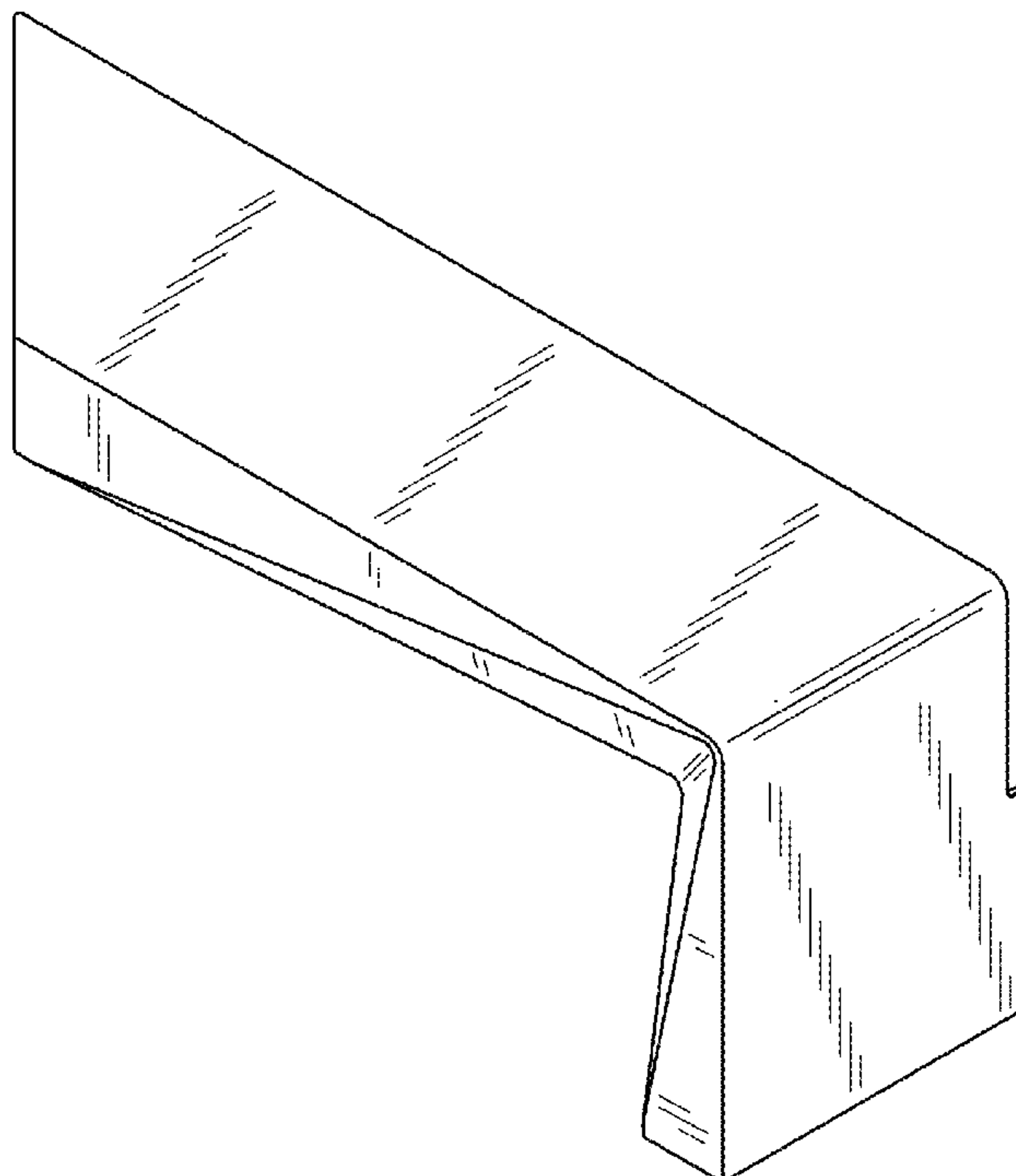
The portions of the shelf unit in FIGS. 3-7 shown in broken lines are included to show features that form no part of the claimed design.

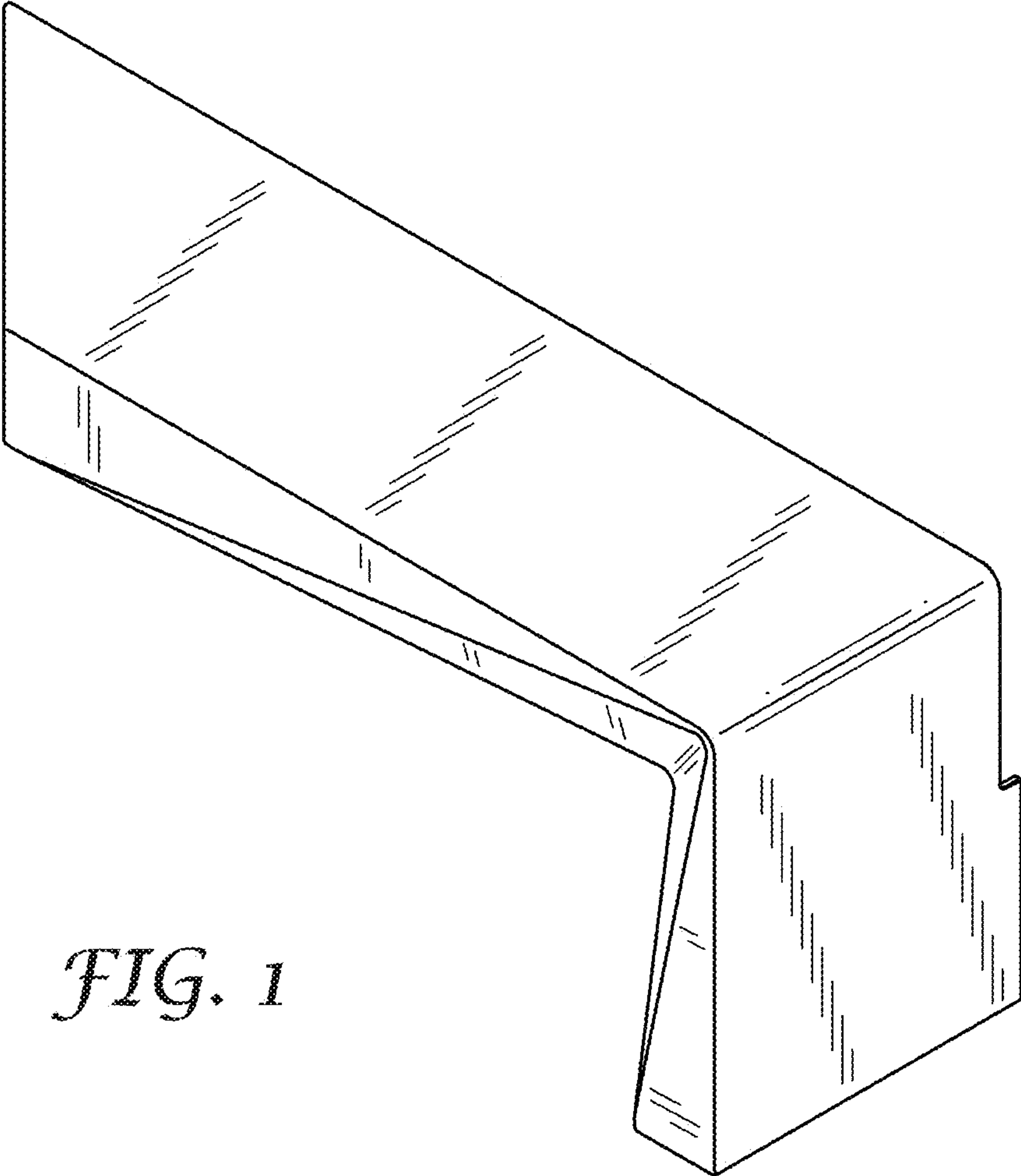
(56) **References Cited**

**U.S. PATENT DOCUMENTS**

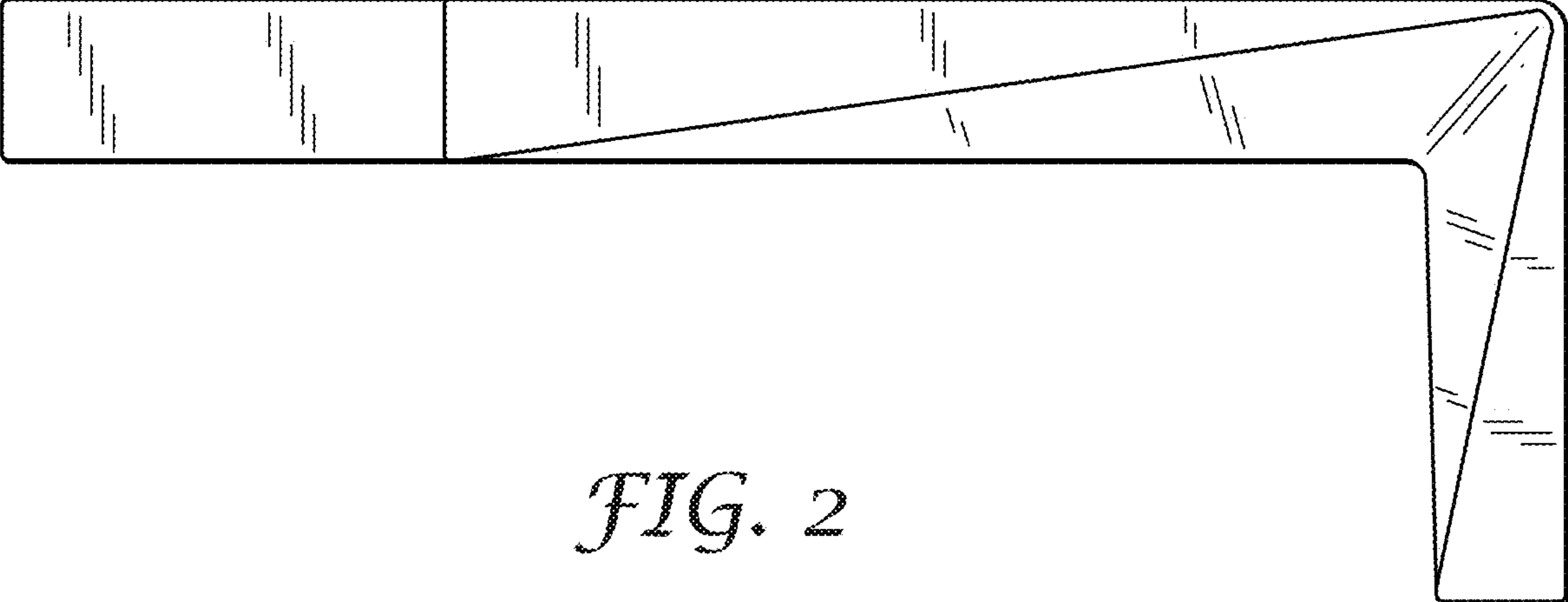
D588,838 S \* 3/2009 Helle ..... D6/678.1  
D716,581 S \* 11/2014 Davis ..... D6/574  
D717,571 S \* 11/2014 Page ..... D6/675  
D718,556 S \* 12/2014 Kreuzer ..... D6/574

**1 Claim, 3 Drawing Sheets**

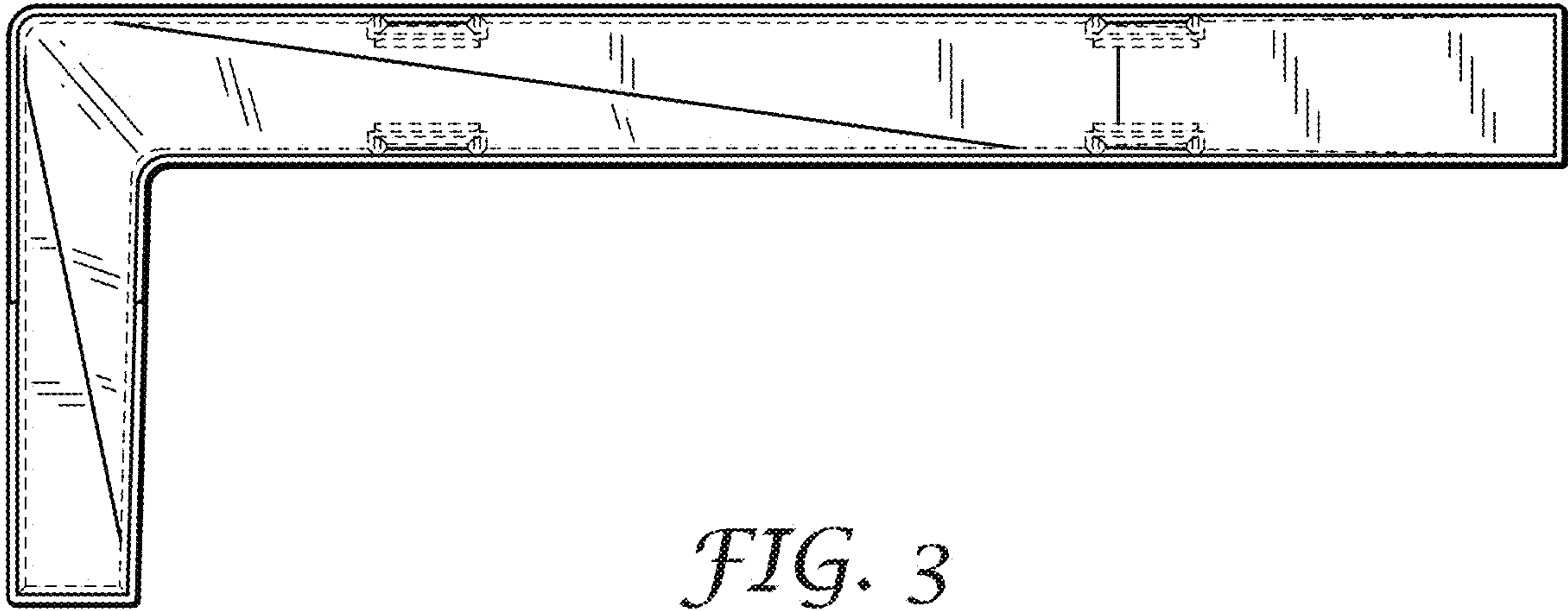




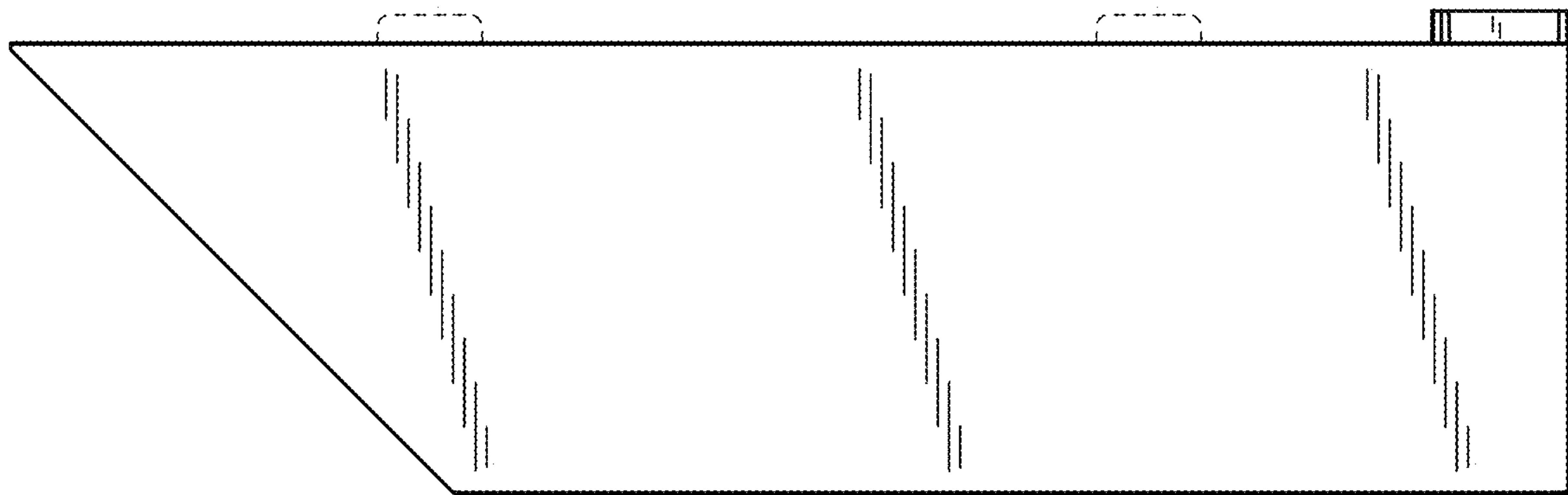
*FIG. 1*



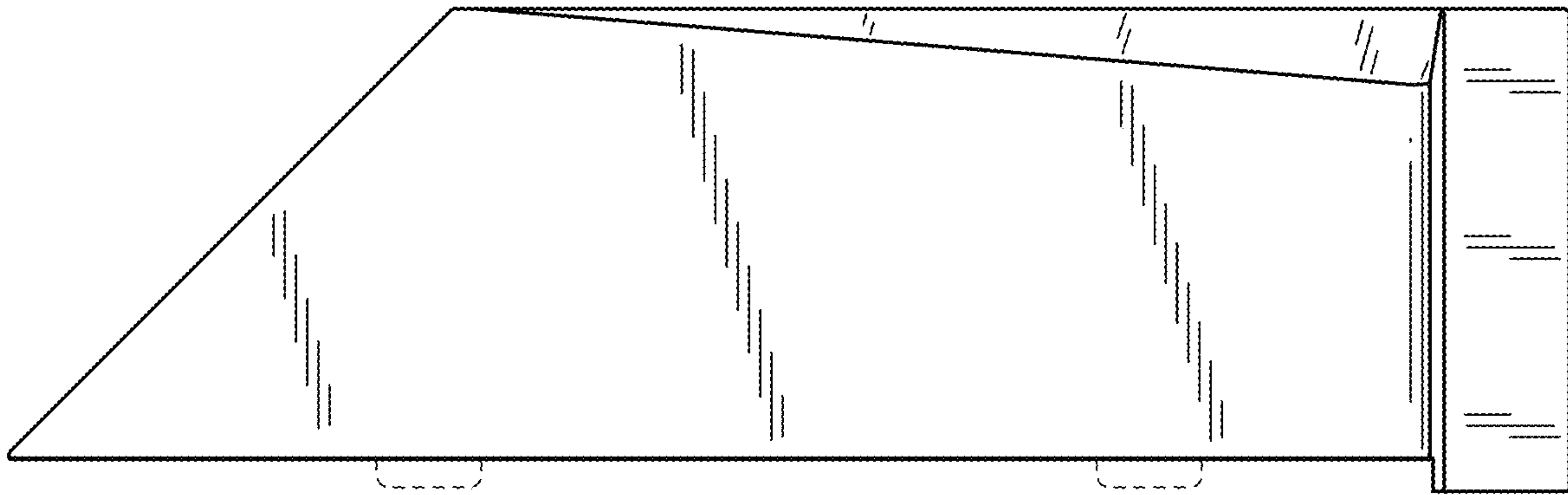
*FIG. 2*



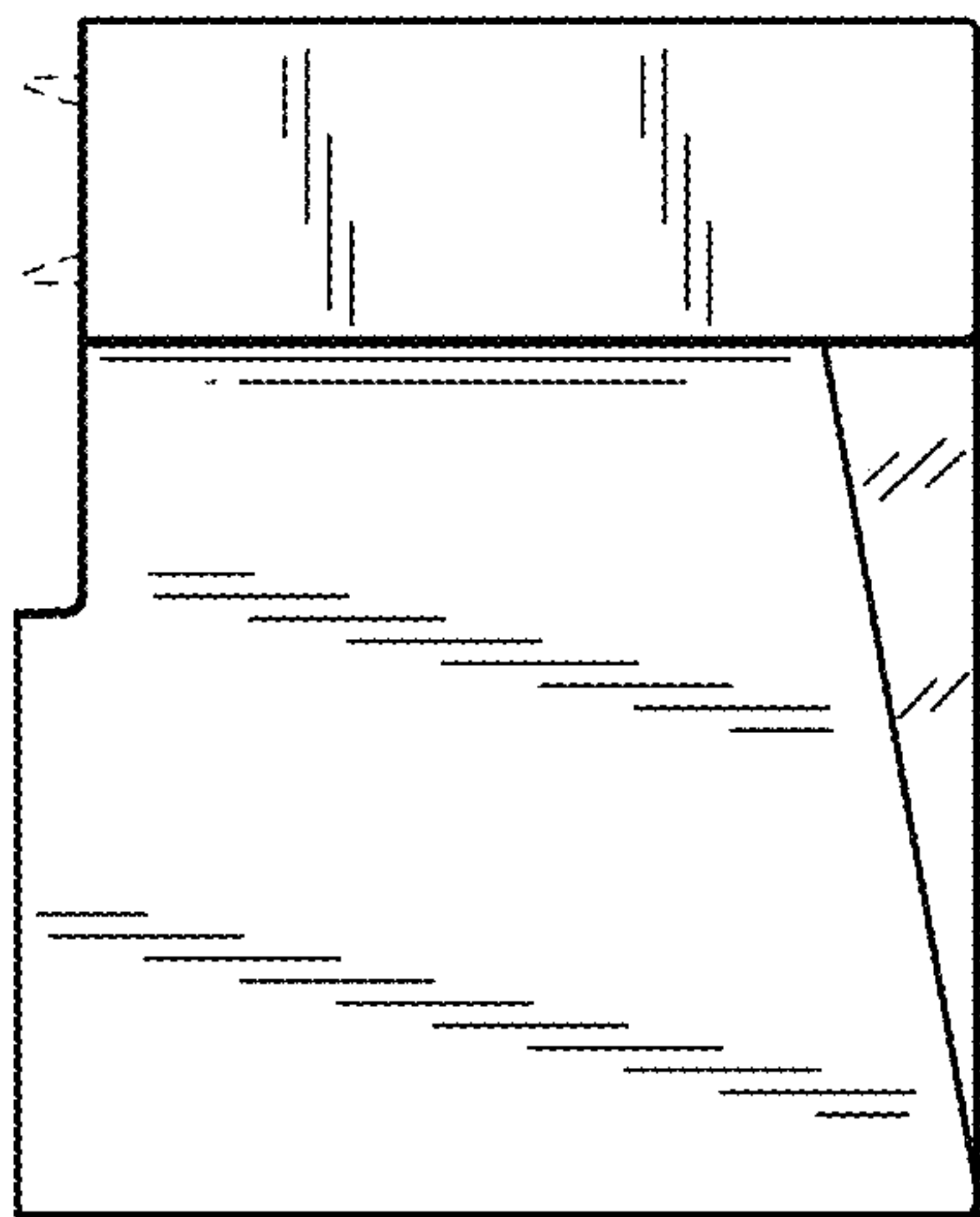
*FIG. 3*



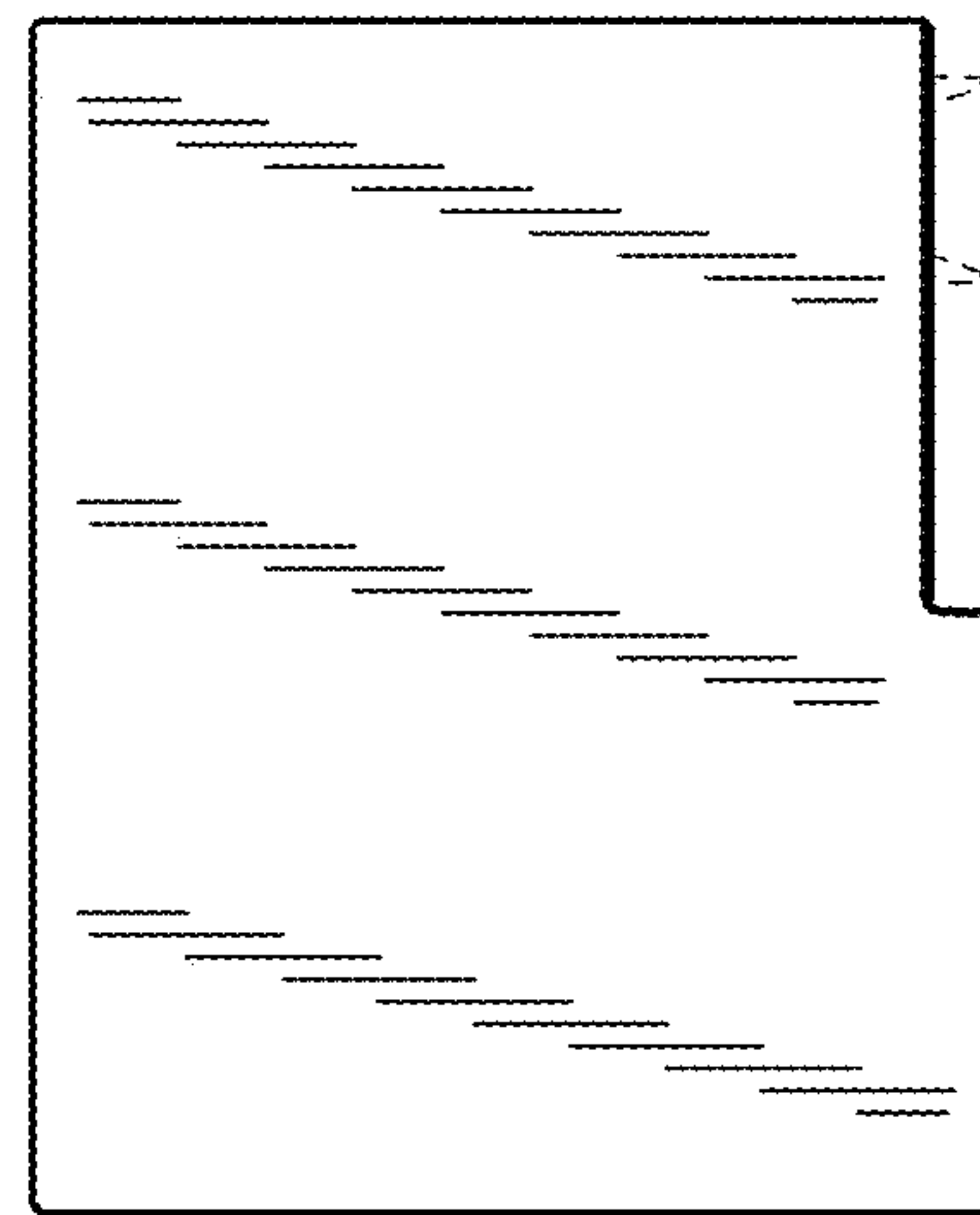
*FIG. 4*



*FIG. 5*



*FIG. 6*



*FIG. 7*