



US00D920710S

(12) **United States Design Patent**
Cheung

(10) **Patent No.:** **US D920,710 S**

(45) **Date of Patent:** **** Jun. 1, 2021**

(54) **WASTE CASSETTE**

(71) Applicant: **ANGELCARE USA, LLC**, Newark,
DE (US)

(72) Inventor: **Michael Cheung**, Shelton, CT (US)

(73) Assignee: **ANGELCARE USA, LLC**, Newark,
DE (US)

(**) Term: **15 Years**

(21) Appl. No.: **29/680,114**

(22) Filed: **Feb. 13, 2019**

(51) **LOC (13) Cl.** **06-06**

(52) **U.S. Cl.**
USPC **D6/515**

(58) **Field of Classification Search**
USPC D23/259-261, 269; D6/515, 518;
D7/677; D32/37; D34/10; 53/571;
206/397, 409
CPC . B65F 2240/132; B65F 2210/167; B65B 9/20
See application file for complete search history.

(56) **References Cited**

U.S. PATENT DOCUMENTS

D614,897 S *	5/2010	Morand	D6/515
D615,786 S *	5/2010	Morand	D6/515
D695,541 S *	12/2013	Dunn	B65H 5/28
				D6/515
D700,788 S *	3/2014	Morand	D6/515
D700,789 S *	3/2014	Morand	D6/515
D701,056 S *	3/2014	Morand	D6/515
D705,566 S *	5/2014	Morand	D6/515

D705,567 S *	5/2014	Morand	D6/515
D705,568 S *	5/2014	Morand	D6/515
D706,055 S *	6/2014	Morand	D6/515
D795,606 S *	8/2017	Cudworth	D6/515
D808,680 S *	1/2018	Dunn	D6/515
D833,581 S *	11/2018	Atwell	D23/259
2015/0274464 A1 *	10/2015	Dunn	B65F 1/0006
				206/409

* cited by examiner

Primary Examiner — Amy C Wierenga

(74) *Attorney, Agent, or Firm* — Norton Rose Fulbright
US LLP

(57) **CLAIM**

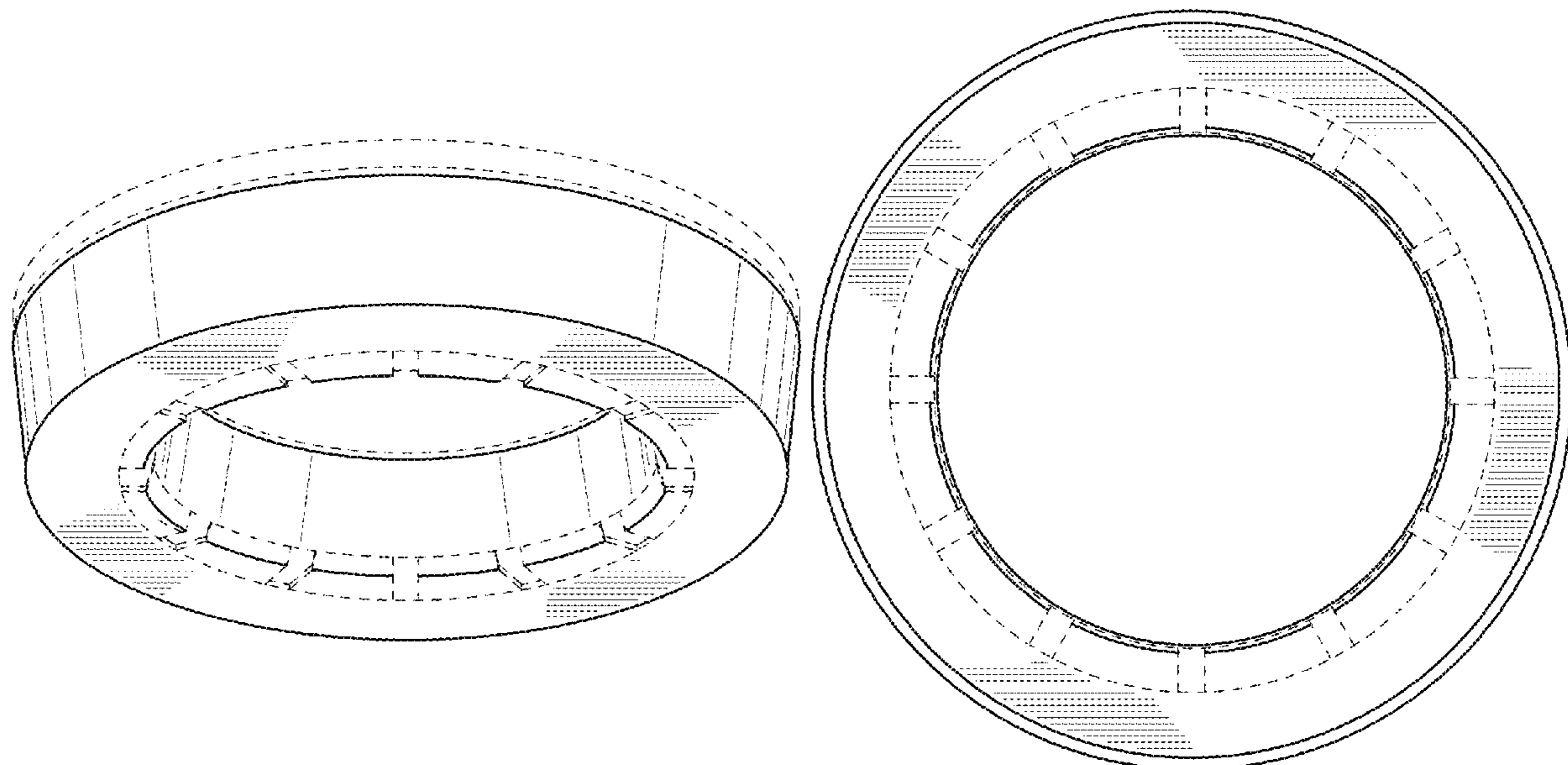
I claim the ornamental design for a waste cassette, as shown
and described.

DESCRIPTION

FIG. 1 is a bottom perspective view of the waste cassette,
showing my new design;
FIG. 2 is a top perspective view thereof;
FIG. 3 is a top view thereof;
FIG. 4 is a bottom view thereof;
FIG. 5 is a left side elevation view thereof;
FIG. 6 is a right side elevation view thereof;
FIG. 7 is a front view thereof; and,
FIG. 8 is a back view thereof.

The shading in the figures is fragmentarily shown for
convenience of illustration, it being understood that the
shading is uniformly continued over the surface on which it
appears. The broken lines shown in the figures illustrate
portions of the waste cassette that form no part of the
claimed design.

1 Claim, 3 Drawing Sheets



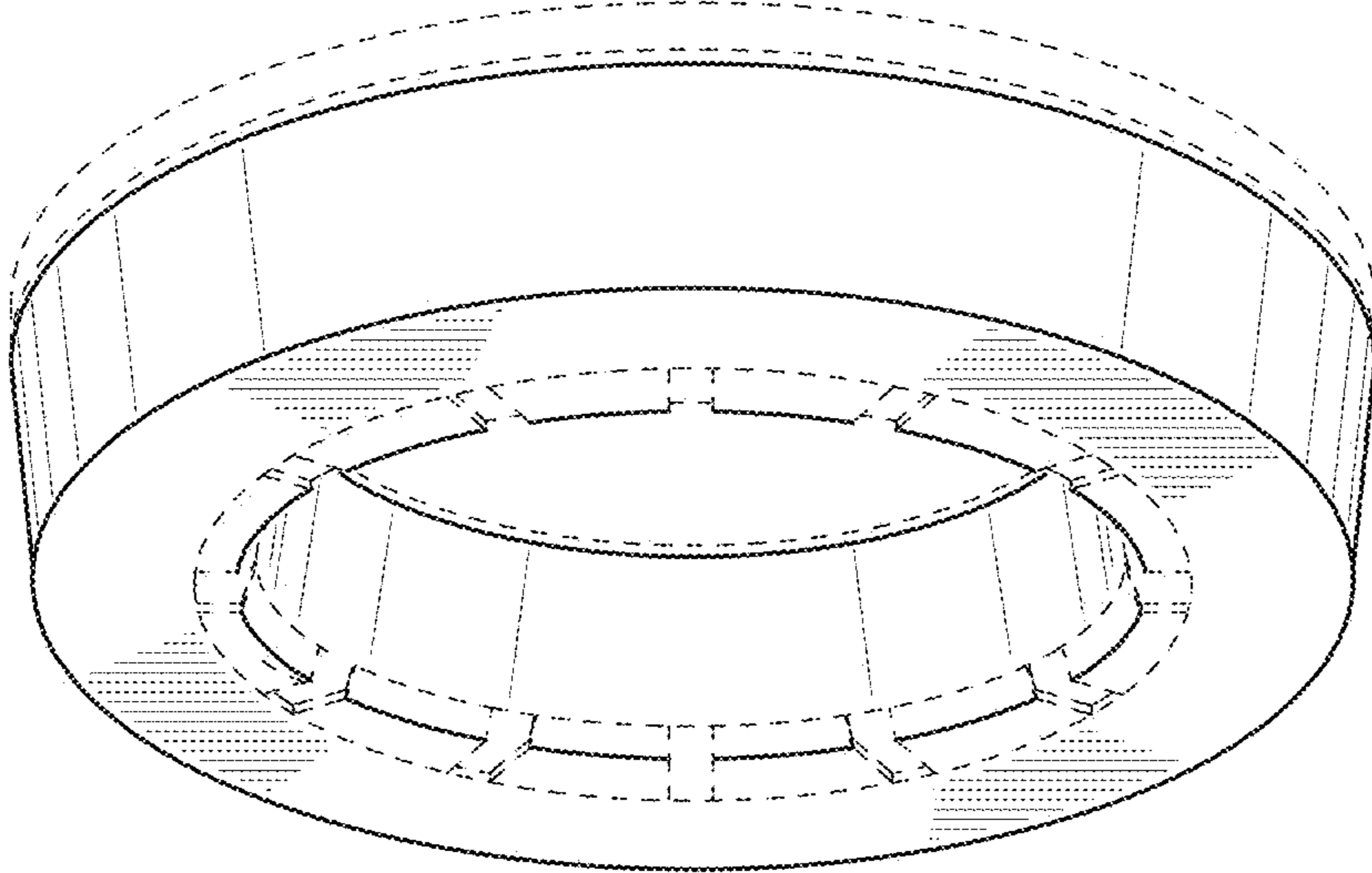


FIG. 1

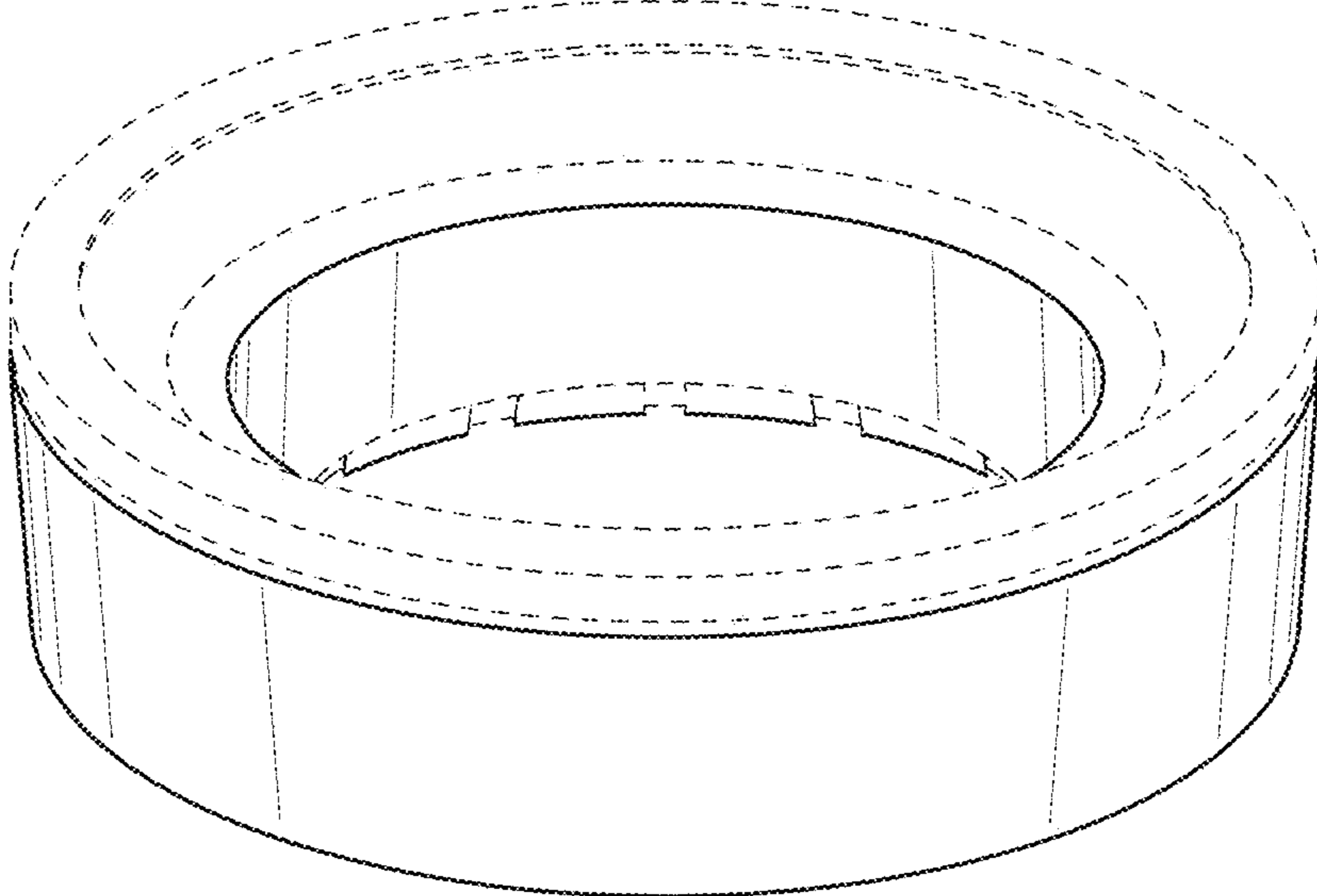


FIG. 2

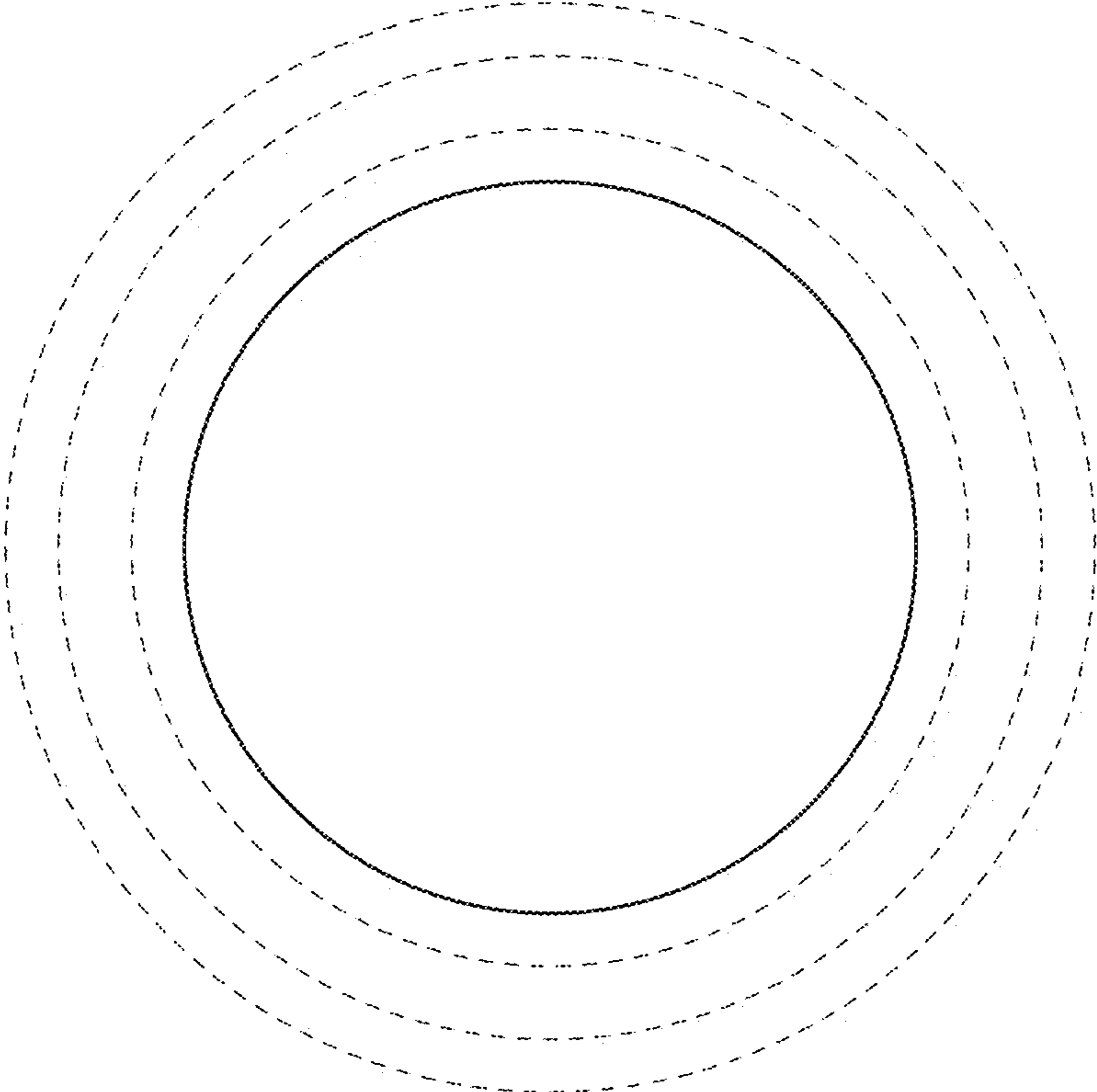


FIG. 3

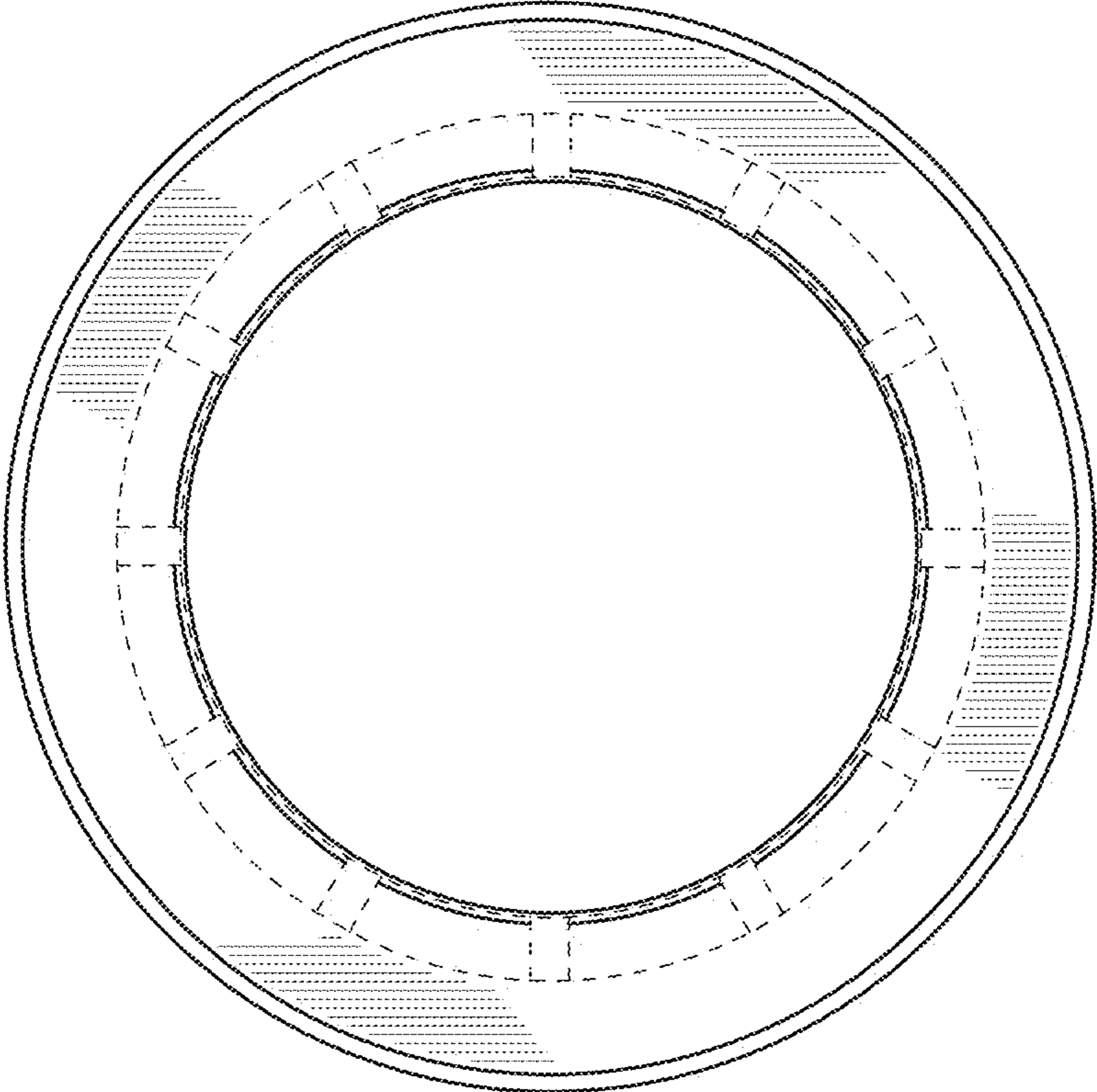


FIG. 4

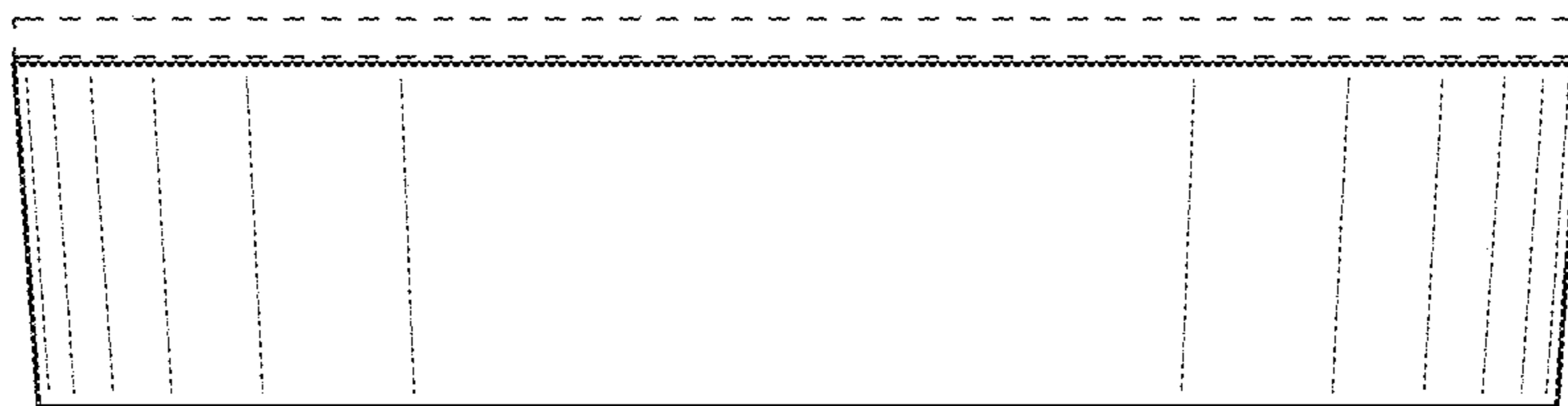


FIG. 5

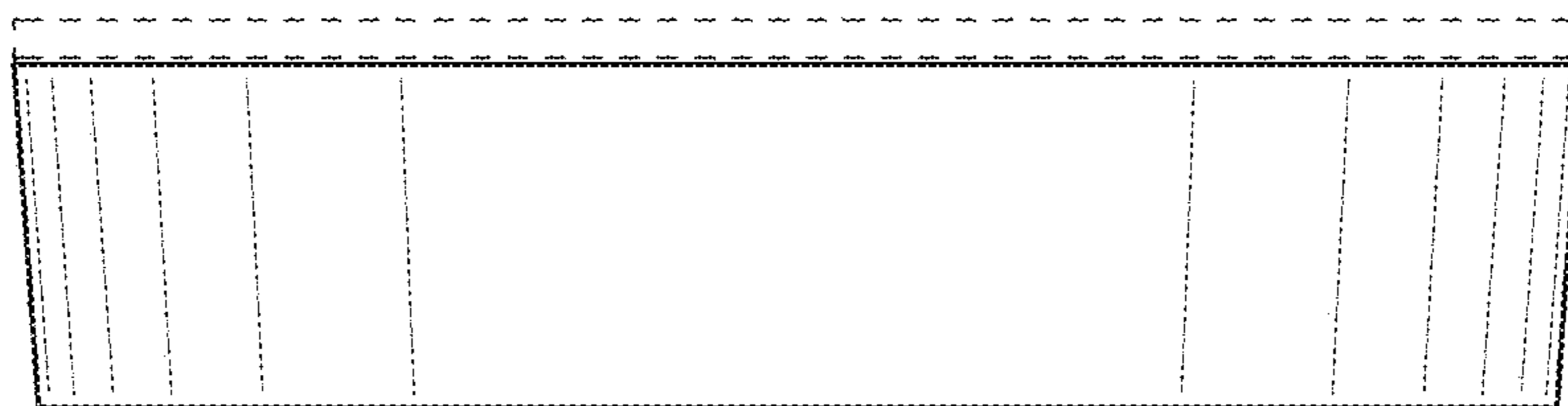


FIG. 6

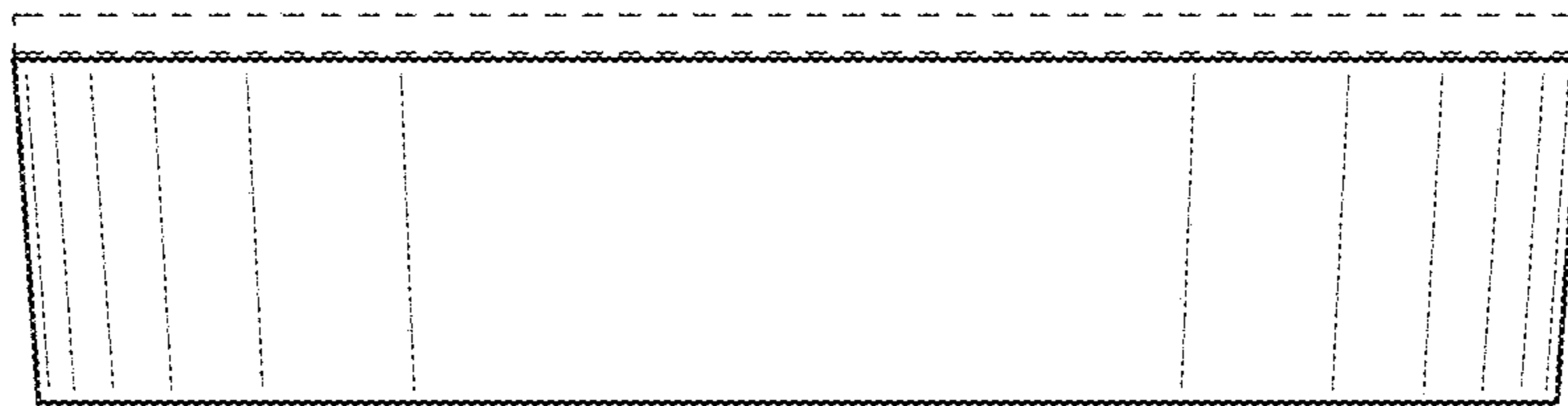


FIG. 7

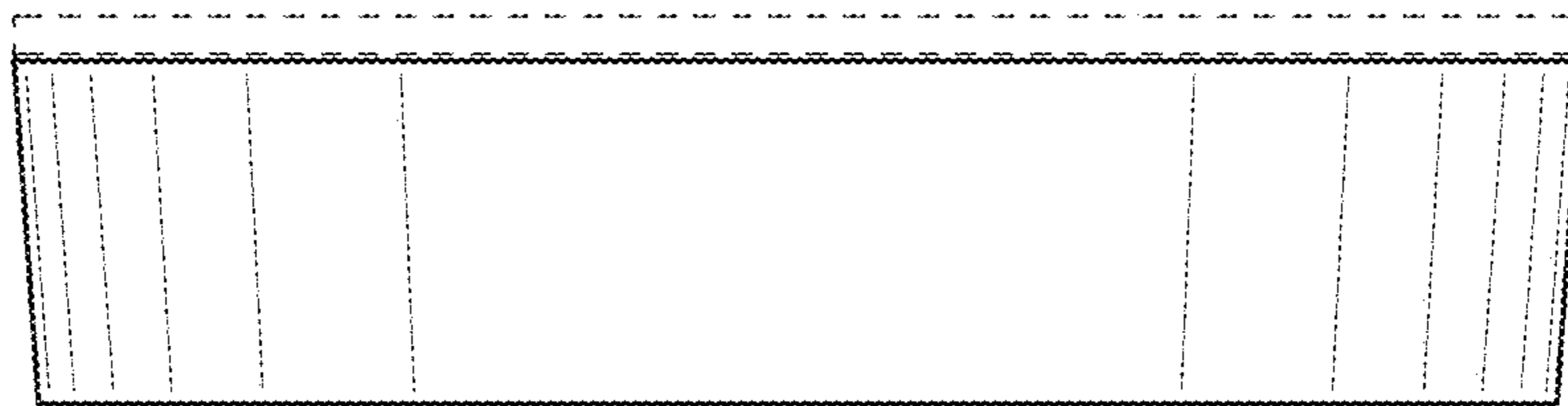


FIG. 8